



US00D875855S

(12) **United States Design Patent**  
**Sandoval**

(10) **Patent No.:** **US D875,855 S**

(45) **Date of Patent:** **\*\* Feb. 18, 2020**

(54) **EXERCISE CYCLE WEIGHT HOLDER**

(71) Applicant: **Custom Indoor Cycles, LLC**, Santa Ana, CA (US)

(72) Inventor: **Andrew Sandoval**, Santa Ana, CA (US)

(73) Assignee: **Custom Indoor Cycles, LLC**, Santa Ana, CA (US)

(\*\*) Term: **15 Years**

(21) Appl. No.: **29/692,000**

(22) Filed: **May 21, 2019**

**Related U.S. Application Data**

(62) Division of application No. 29/666,952, filed on Oct. 17, 2018, now Pat. No. Des. 854,638, which is a division of application No. 29/626,357, filed on Nov. 16, 2017, now Pat. No. Des. 846,668.

(51) **LOC (12) Cl.** ..... **21-02**

(52) **U.S. Cl.**  
USPC ..... **D21/691**; D21/686

(58) **Field of Classification Search**  
USPC ..... 211/71.01, 74, 85.31; 248/214; D3/201, D3/316, 318; D6/566; D7/400, 601, D7/602, 620, 622, 708.1; D12/114, 223, D12/406, 411; D21/686, 694, 691  
CPC ..... A63B 21/026; A63B 1/00; A63B 3/00; A63B 71/023  
See application file for complete search history.

(56) **References Cited**

**U.S. PATENT DOCUMENTS**

D25,619 S \* 6/1896 Hoermann ..... D3/316  
D33,380 S \* 10/1900 Jamison ..... D12/223  
D255,130 S \* 5/1980 Balzano ..... D21/691  
D262,678 S 1/1982 DeBoer  
D264,954 S 6/1982 Blackburn

D283,185 S \* 4/1986 Frazier ..... D6/513  
D285,186 S \* 8/1986 Sinyard ..... D12/411  
D306,952 S \* 4/1990 Goeman ..... D7/619.1  
D307,851 S \* 5/1990 Polidoros ..... D7/601  
5,190,257 A 3/1993 Gradei et al.  
5,392,971 A 2/1995 Hsu  
D360,868 S \* 8/1995 Kalat ..... D12/411  
D361,924 S 9/1995 Becker  
D430,441 S \* 9/2000 Rosenberg ..... D6/566  
6,231,487 B1 \* 5/2001 Diamond, Jr. .... A63B 21/026  
482/121  
D470,726 S \* 2/2003 Kautzky ..... D7/620

(Continued)

**OTHER PUBLICATIONS**

Customindoorcycles, "Schwinn AC Performance Plus Compatible Rear Mount Hand Weight Holder", Oct. 3, 2018, <https://www.customindoorcycles.com/product/weight-racks/>. Shown on p. 1. (Year: 2018).

(Continued)

*Primary Examiner* — Cynthia Ramirez

*Assistant Examiner* — Michael A Maharajh

(74) *Attorney, Agent, or Firm* — Stetina Brunda Garred and Brucker

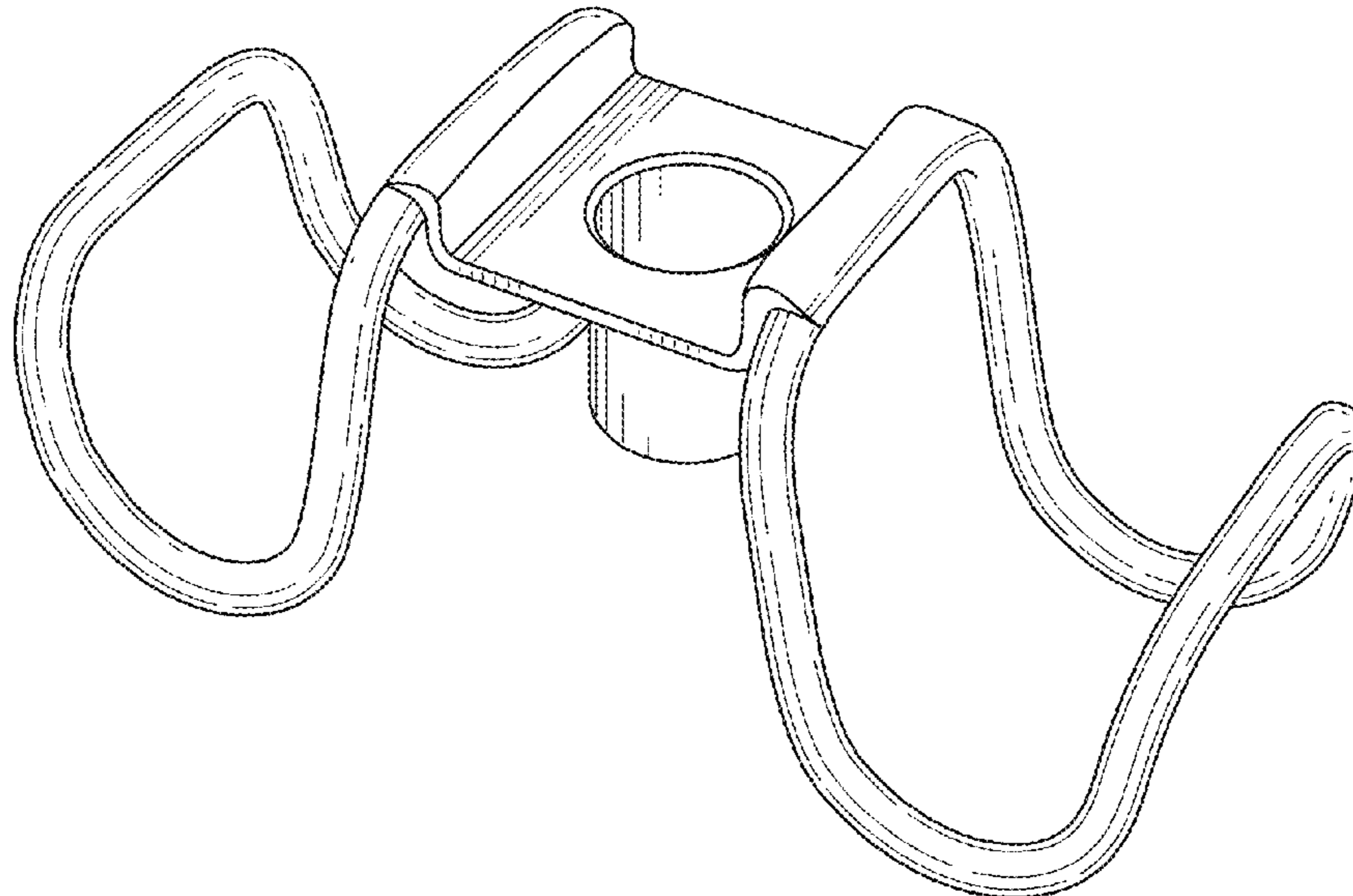
(57) **CLAIM**

The ornamental design for an exercise cycle weight holder, as shown and described.

**DESCRIPTION**

FIG. 1 is a front perspective view of the exercise cycle weight holder, showing my new design;  
FIG. 2 is a top plan view thereof;  
FIG. 3 is a front elevational view thereof;  
FIG. 4 is a bottom plan view thereof;  
FIG. 5 is a rear elevational view thereof;  
FIG. 6 is a left side elevational view thereof; and,  
FIG. 7 is a right side elevational view thereof.

**1 Claim, 3 Drawing Sheets**



(56)

References Cited

U.S. PATENT DOCUMENTS

6,561,473 B1 \* 5/2003 Ianello ..... E04G 7/14  
248/214  
D492,161 S 6/2004 Kaller et al.  
D505,328 S 5/2005 Chou  
D529,859 S 10/2006 Irvine  
D530,261 S \* 10/2006 Irvine ..... D12/411  
D532,259 S 11/2006 Goodman et al.  
D539,102 S \* 3/2007 Goodman ..... D7/601  
D546,129 S 7/2007 Sergianni  
D554,927 S \* 11/2007 Smith ..... D6/566  
D566,445 S \* 4/2008 Rosen ..... D6/566  
D592,469 S \* 5/2009 Goodman ..... D7/704  
D593,859 S 6/2009 Barnum  
D604,224 S 11/2009 Carpenter  
D605,578 S 12/2009 Retief  
D607,115 S 12/2009 Bellamy-Noseworthy et al.  
D628,835 S \* 12/2010 Valentine, Jr. .... D6/566  
D630,902 S \* 1/2011 Chen ..... D6/566  
D632,908 S \* 2/2011 Tincher ..... D6/513  
7,886,917 B1 2/2011 Berger  
D640,624 S 6/2011 Valiquette  
D655,986 S 3/2012 Schneider  
D659,302 S 5/2012 Rose  
8,430,366 B2 4/2013 Tincher

D684,104 S 6/2013 Goldman  
D695,973 S \* 12/2013 Carrs ..... D30/133  
D748,334 S \* 1/2016 Goodman ..... D6/566  
D750,446 S \* 3/2016 Tincher ..... D7/620  
D751,867 S 3/2016 Krumwiede et al.  
D769,672 S 10/2016 Gallagher  
D775,058 S 12/2016 Overman et al.  
D775,890 S 1/2017 Gallagher  
D778,635 S 2/2017 Pan et al.  
D817,027 S 5/2018 Manfre  
D842,948 S \* 3/2019 Sandoval ..... D21/694  
D846,668 S \* 4/2019 Sandoval ..... D21/697  
D848,556 S \* 5/2019 Bolillo ..... D21/691  
D854,638 S \* 7/2019 Sandoval ..... D21/697  
2013/0026316 A1 \* 1/2013 Case ..... B62J 11/00  
248/214  
2014/0339182 A1 \* 11/2014 Koder ..... A47B 73/00  
211/75

OTHER PUBLICATIONS

Customindoorcycles, "Stage Indoor Cycle Dual Water Bottle Holder",  
Dec. 24, 2018. <https://www.customindoorcycles.com/product/weight-racks/>. Shown on p. 1. (Year: 2018).

\* cited by examiner

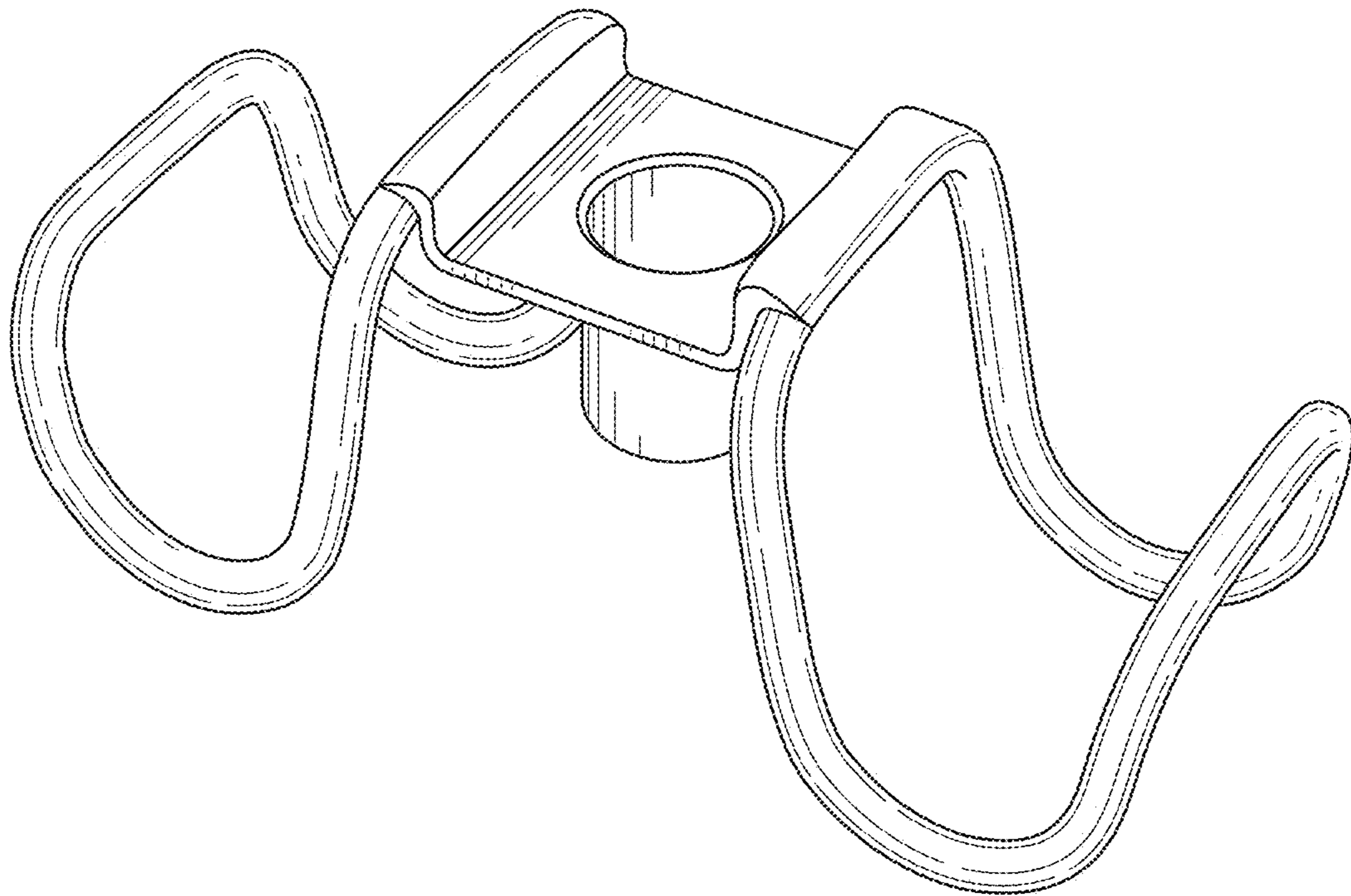


FIG. 1



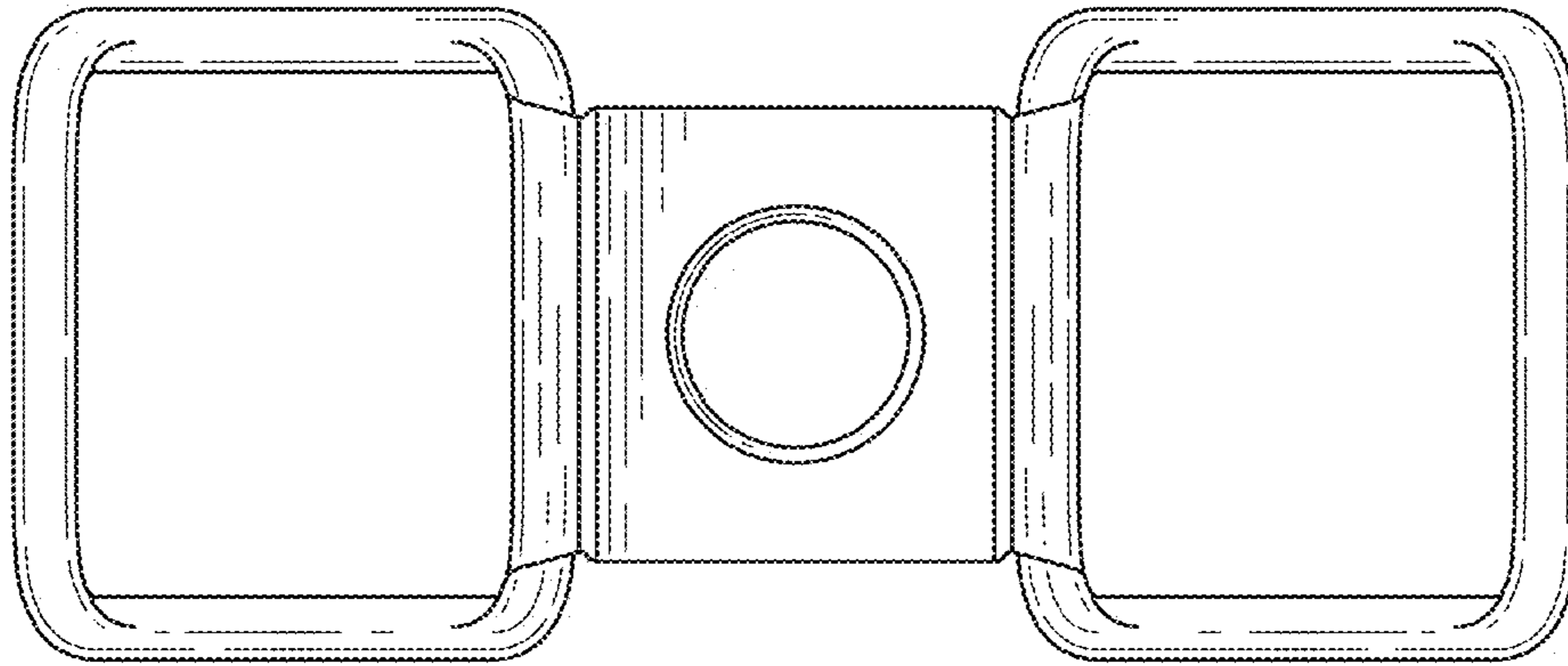


FIG. 2

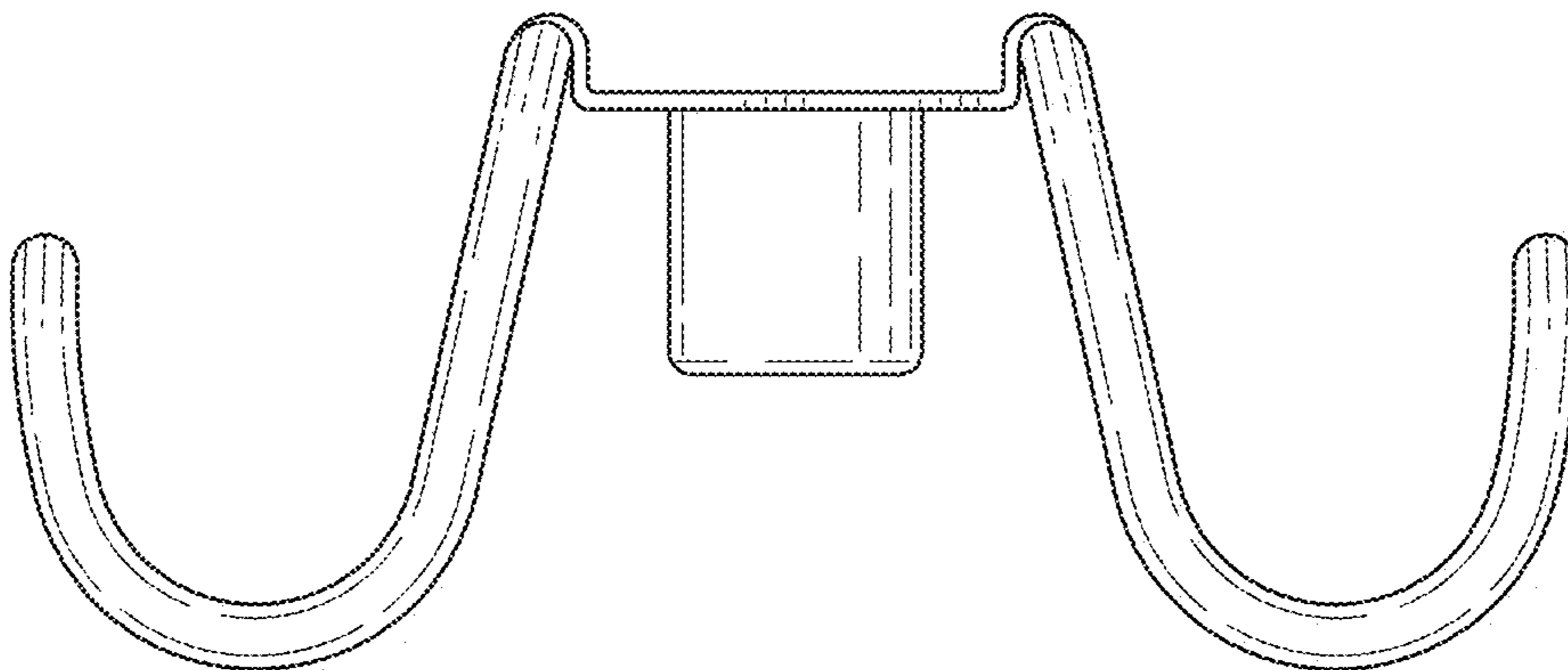


FIG. 3

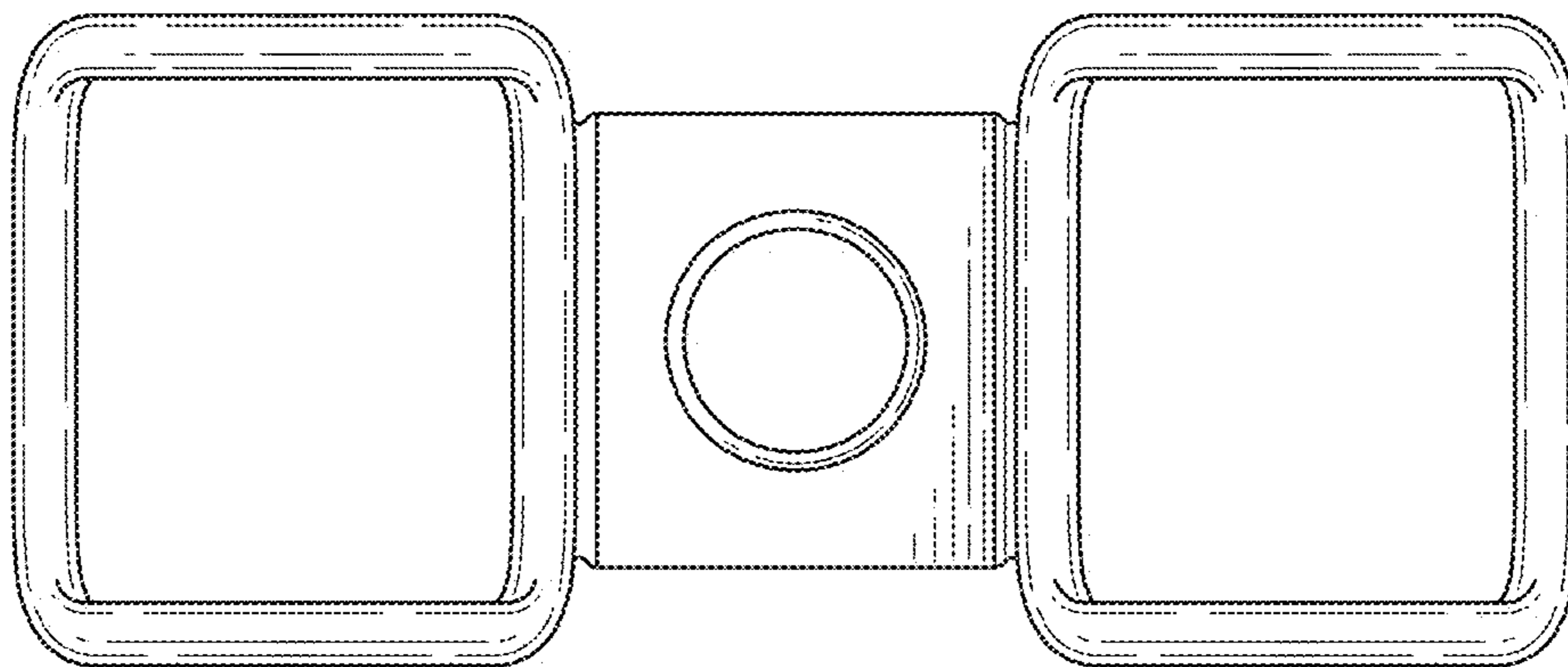


FIG. 4

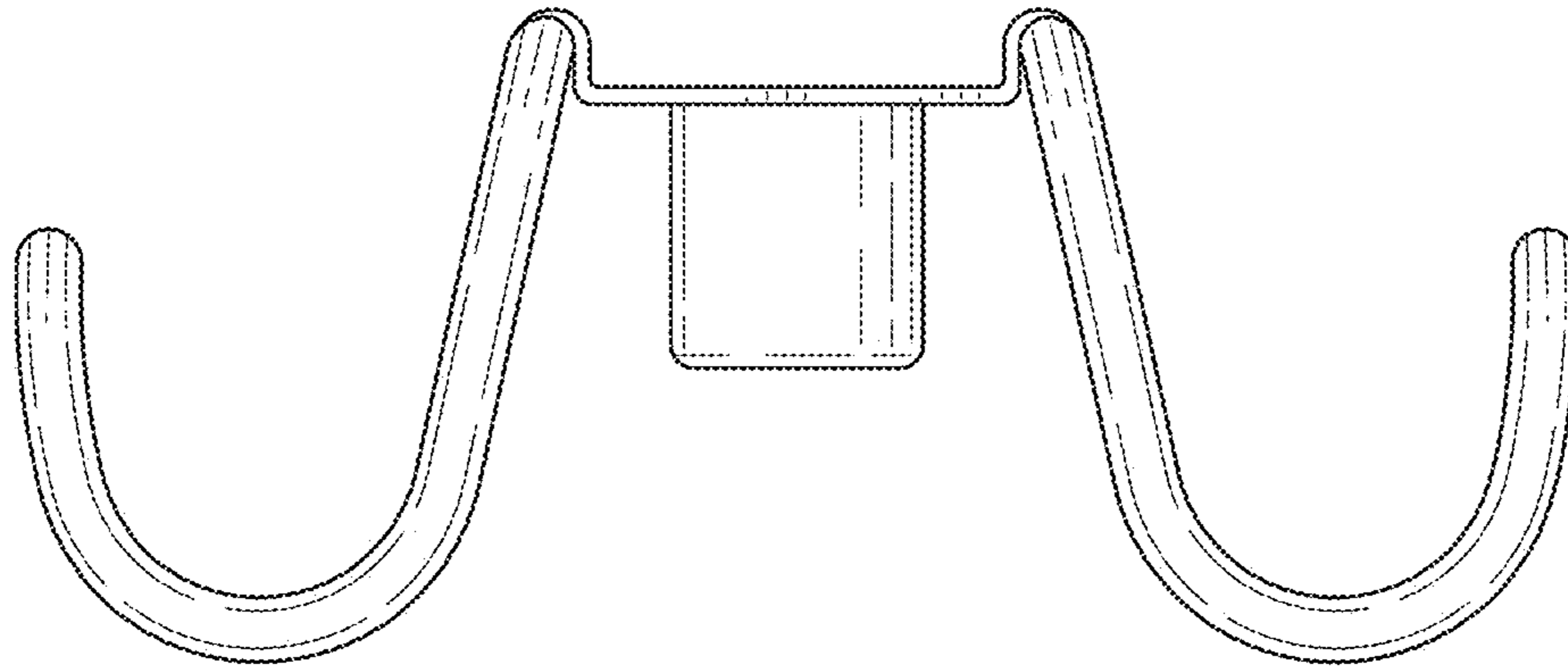


FIG. 5

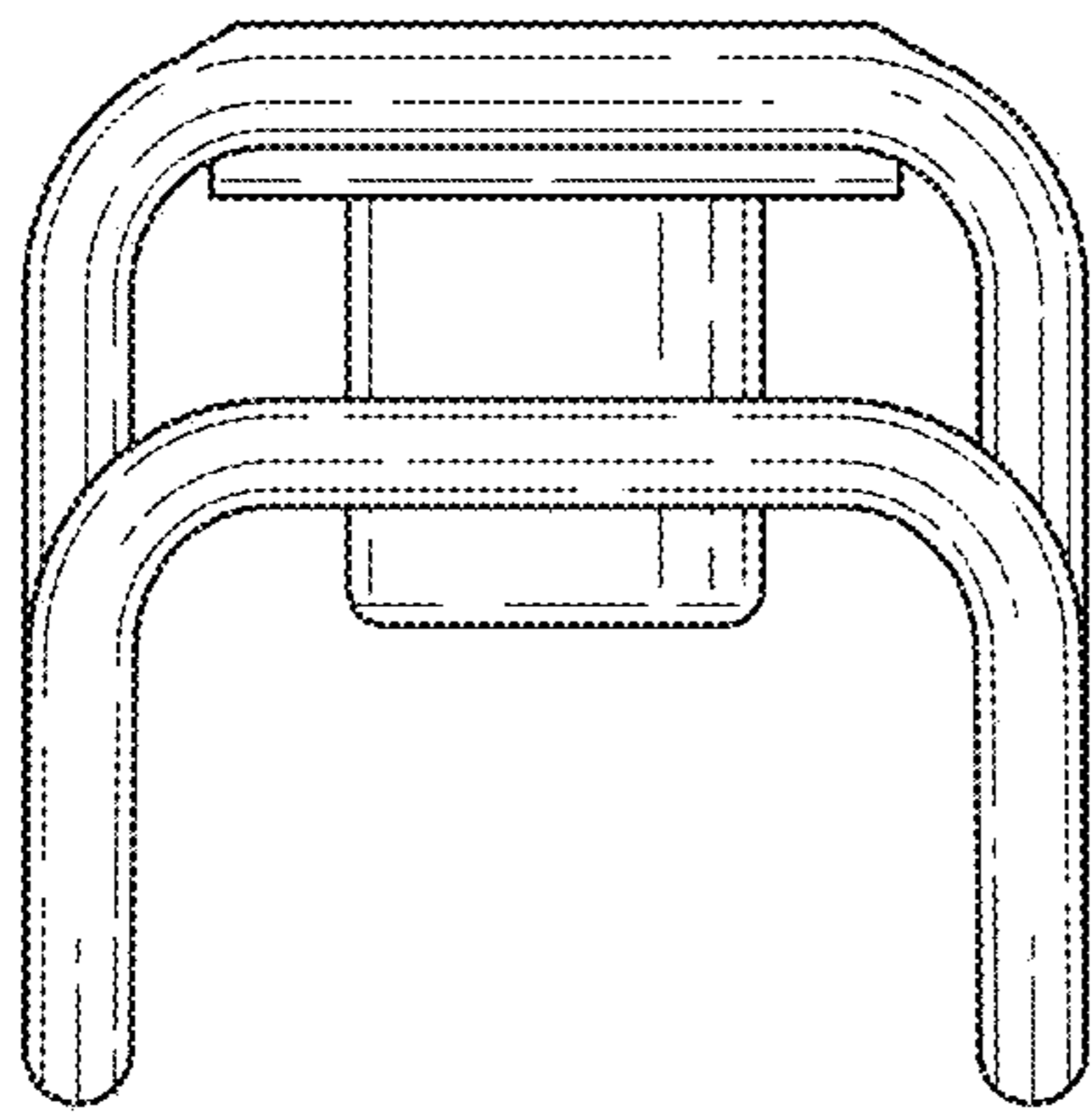


FIG. 6

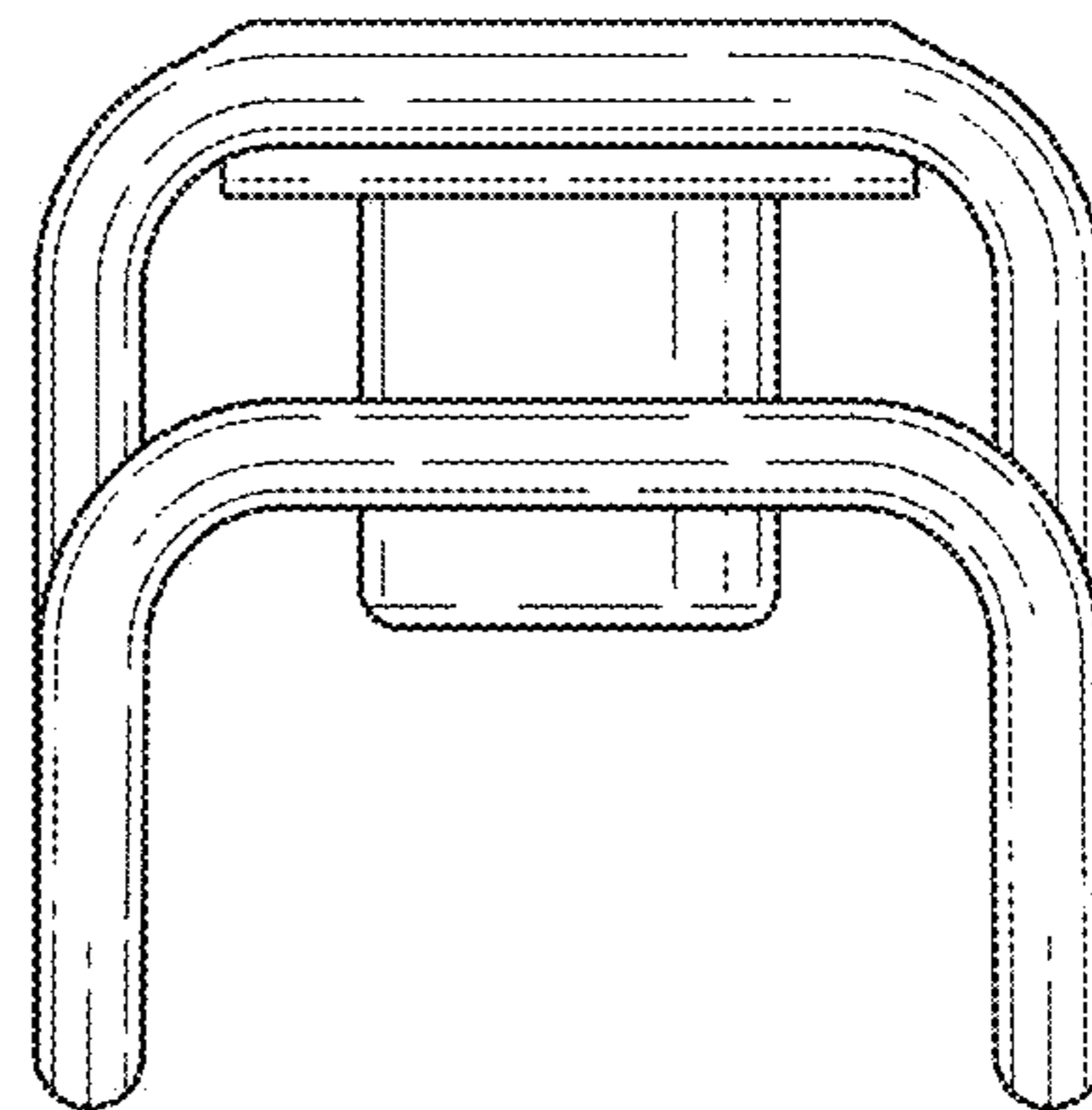


FIG. 7