



US00D875852S

(12) **United States Design Patent** (10) **Patent No.:** **US D875,852 S**
Brezovar (45) **Date of Patent:** **** Feb. 18, 2020**

(54) **EXERCISE BALL**
(71) Applicant: **Life Fitness, LLC**, Rosemont, IL (US)
(72) Inventor: **Wayne T. Brezovar**, Chicago, IL (US)
(73) Assignee: **Life Fitness, LLC**, Rosemont, IL (US)
(**) Term: **15 Years**
(21) Appl. No.: **29/707,017**
(22) Filed: **Sep. 25, 2019**

Related U.S. Application Data

(62) Division of application No. 29/632,008, filed on Jan. 4, 2018.
(51) **LOC (12) Cl.** **21-02**
(52) **U.S. Cl.**
USPC **D21/680**
(58) **Field of Classification Search**
USPC D21/680, 713, 662, 708, 709; 473/371, 473/384, 604, 383, 378; D30/160; 482/132
CPC A63B 37/0004; A63B 37/0009; A63B 37/0012; A63B 37/0006; A63B 37/0021; A61H 2015/0042; A61H 15/0092
See application file for complete search history.

(56) **References Cited**

U.S. PATENT DOCUMENTS

D52,500 S 9/1918 Vaile
D52,706 S 11/1918 Robertson
D52,712 S 11/1918 Turner
1,418,220 A 5/1922 John
D71,562 S 11/1926 Penfold
D72,692 S 5/1927 Beldam
3,222,065 A 12/1965 Dwork
D441,815 S 5/2001 Murphy
6,290,615 B1 9/2001 Ogg

6,293,877 B1 9/2001 Boehm
D449,358 S 10/2001 Ogg
D449,359 S 10/2001 Ogg
6,383,092 B1 5/2002 Ogg
6,695,720 B2 2/2004 Sullivan
D494,233 S 8/2004 Kerry
D516,646 S 3/2006 Yang
D527,066 S 8/2006 Greiner
D536,756 S 2/2007 Steinhobel
7,175,546 B2 2/2007 Asakura
D572,322 S 7/2008 Michishita
7,455,601 B2 11/2008 Morgan et al.
D642,230 S 7/2011 Kessler
D663,793 S 7/2012 Guarrasi
D683,800 S 6/2013 Ebio
8,591,355 B2 11/2013 Sullivan et al.
D695,371 S 12/2013 Hedeem, Jr.
D700,259 S 2/2014 Lien
D718,825 S 12/2014 Ross
D730,461 S 5/2015 Bennett
D774,150 S 12/2016 Holland et al.
D775,286 S 12/2016 Pawlas

(Continued)

Primary Examiner — Ryan Harvey

(74) *Attorney, Agent, or Firm* — Andrus Intellectual Property Law, LLP

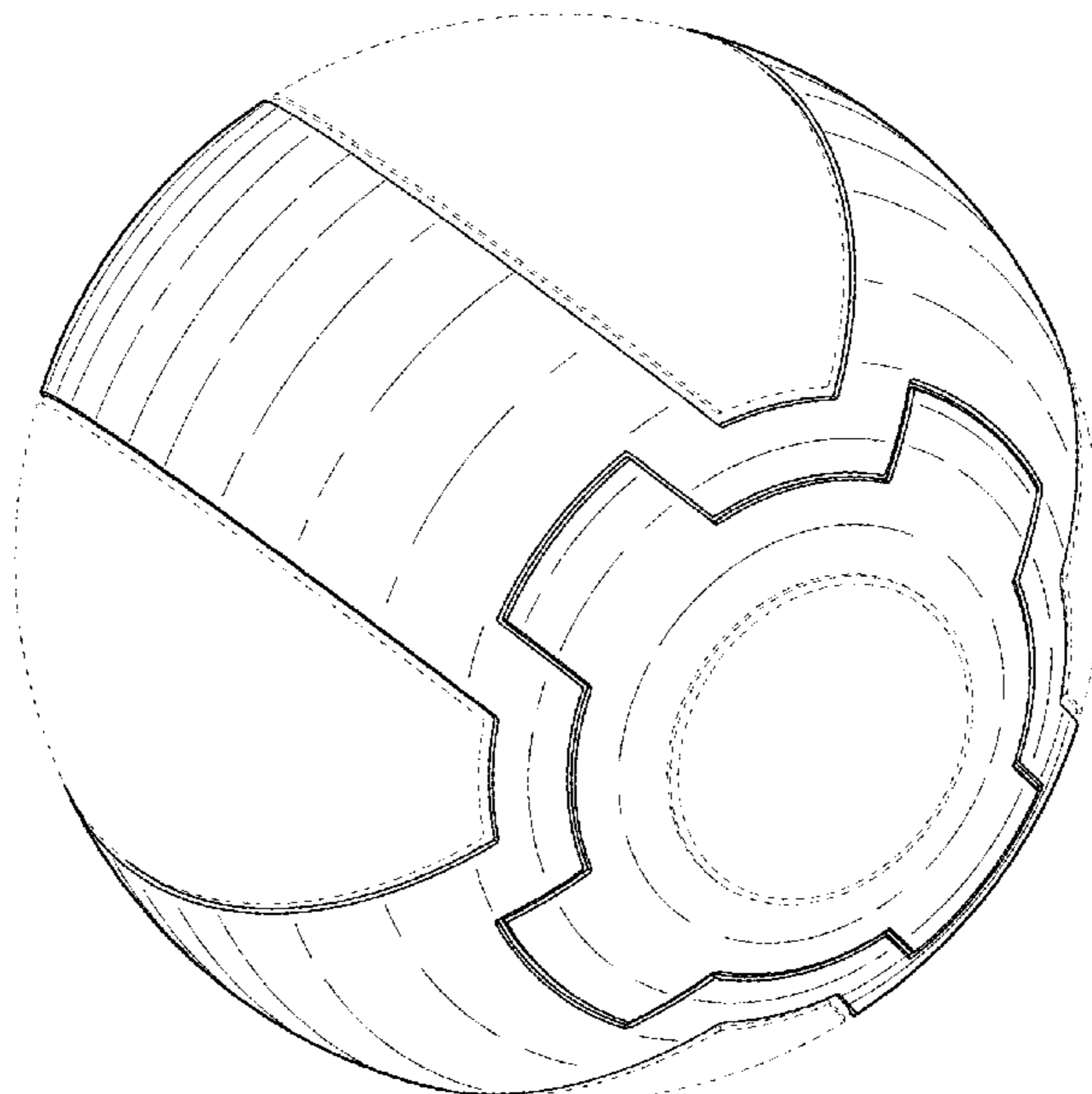
(57) **CLAIM**

The ornamental design for an exercise ball, as shown and described.

DESCRIPTION

FIG. 1 is a front perspective view of an exercise ball.
FIG. 2 is a front view thereof.
FIG. 3 is a rear view thereof.
FIGS. 4 and 5 are opposing side views thereof.
FIG. 6 is a top view thereof; and,
FIG. 7 is a bottom view thereof.
The broken line showing of portions of the exercise ball depicts environment and forms no part of the claim.

1 Claim, 4 Drawing Sheets



(56)

References Cited

U.S. PATENT DOCUMENTS

D775,287	S	12/2016	Pawlas	
9,694,230	B2	7/2017	Cooper	
D794,143	S	8/2017	Rex	
D810,013	S	2/2018	Smitley	
D819,758	S	6/2018	Iqbal	
D823,951	S	7/2018	Marton et al.	
10,010,470	B2	7/2018	Bradford	
D832,946	S	11/2018	Lernihan	
D835,733	S	12/2018	Whiteley	
D837,908	S	1/2019	Ross	
D838,417	S	1/2019	Jiang	
D838,790	S	1/2019	Chang	
D842,941	S *	3/2019	Brezovar	D21/680
D843,527	S	5/2019	Monnin et al.	
D851,711	S *	6/2019	Brezovar	D21/680
D861,085	S *	9/2019	Brezovar	D21/681
2007/0049434	A1	3/2007	Maziarz et al.	
2009/0181805	A1	7/2009	Sullivan et al.	
2009/0227398	A1	9/2009	Gibson	
2012/0263880	A1	10/2012	Lin	
2014/0336021	A1	11/2014	Jones	
2015/0011330	A1	1/2015	Ishii et al.	
2019/0001195	A1	1/2019	Chang	

* cited by examiner

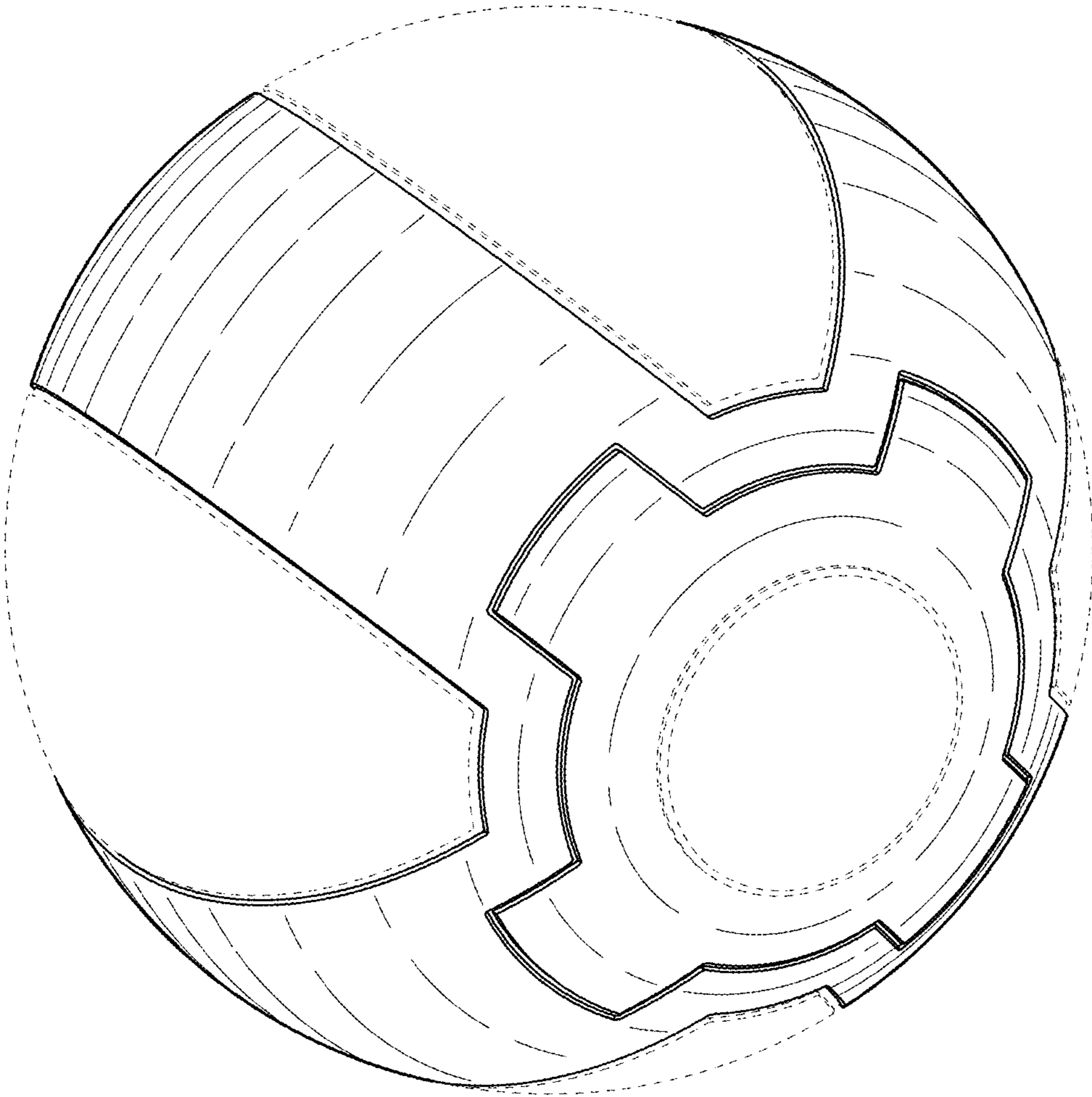


FIG. 1

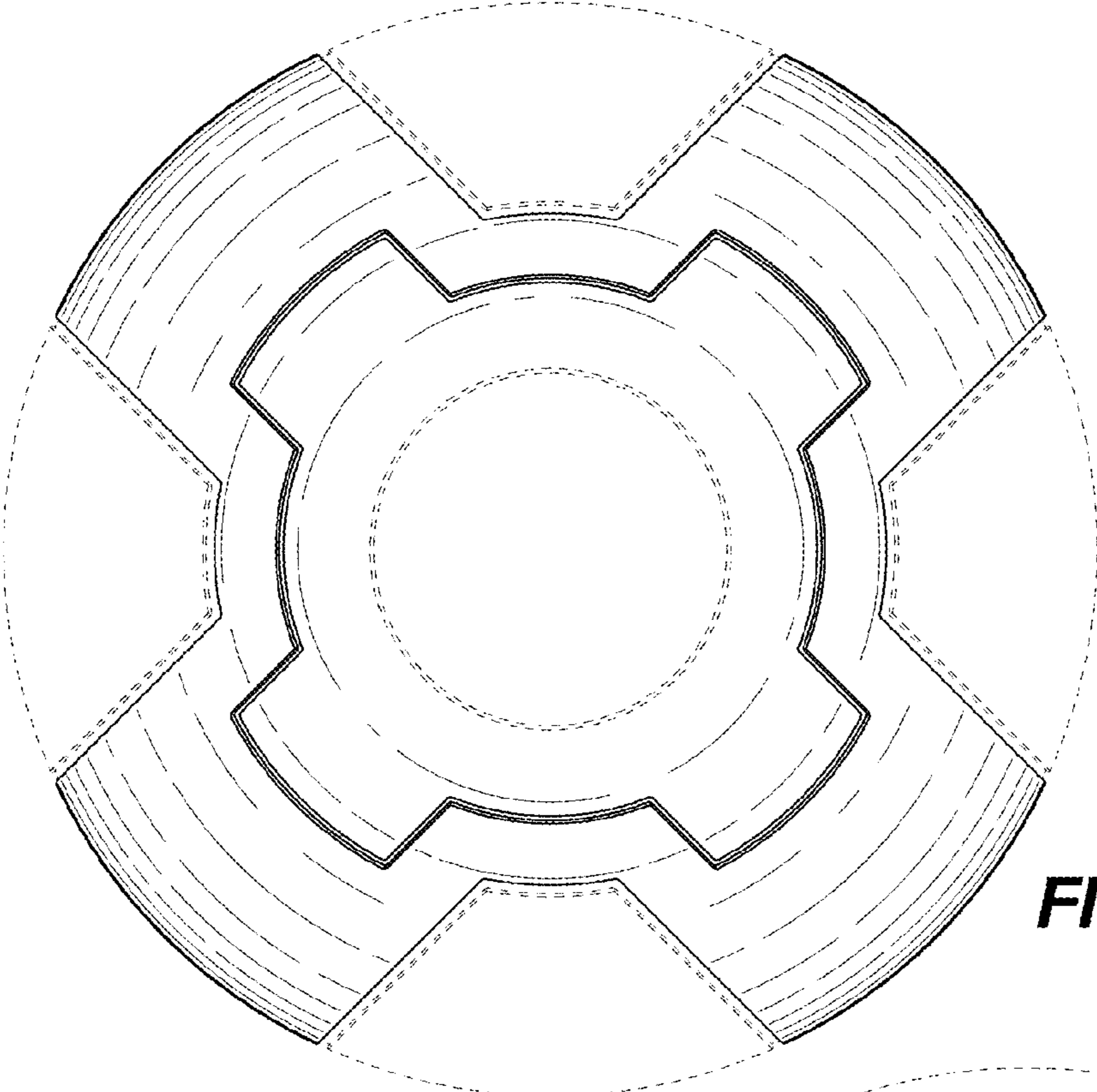


FIG. 2

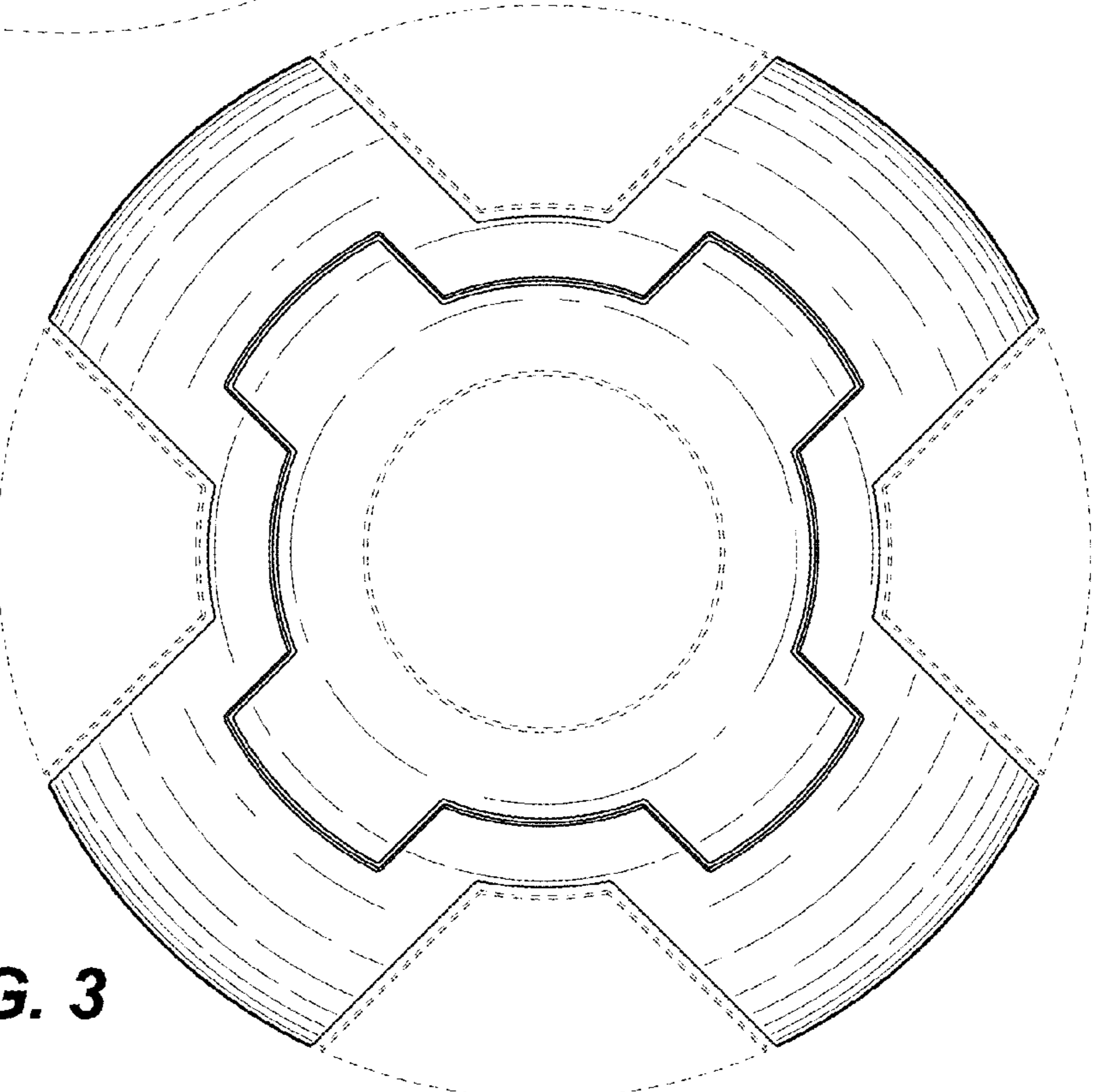


FIG. 3

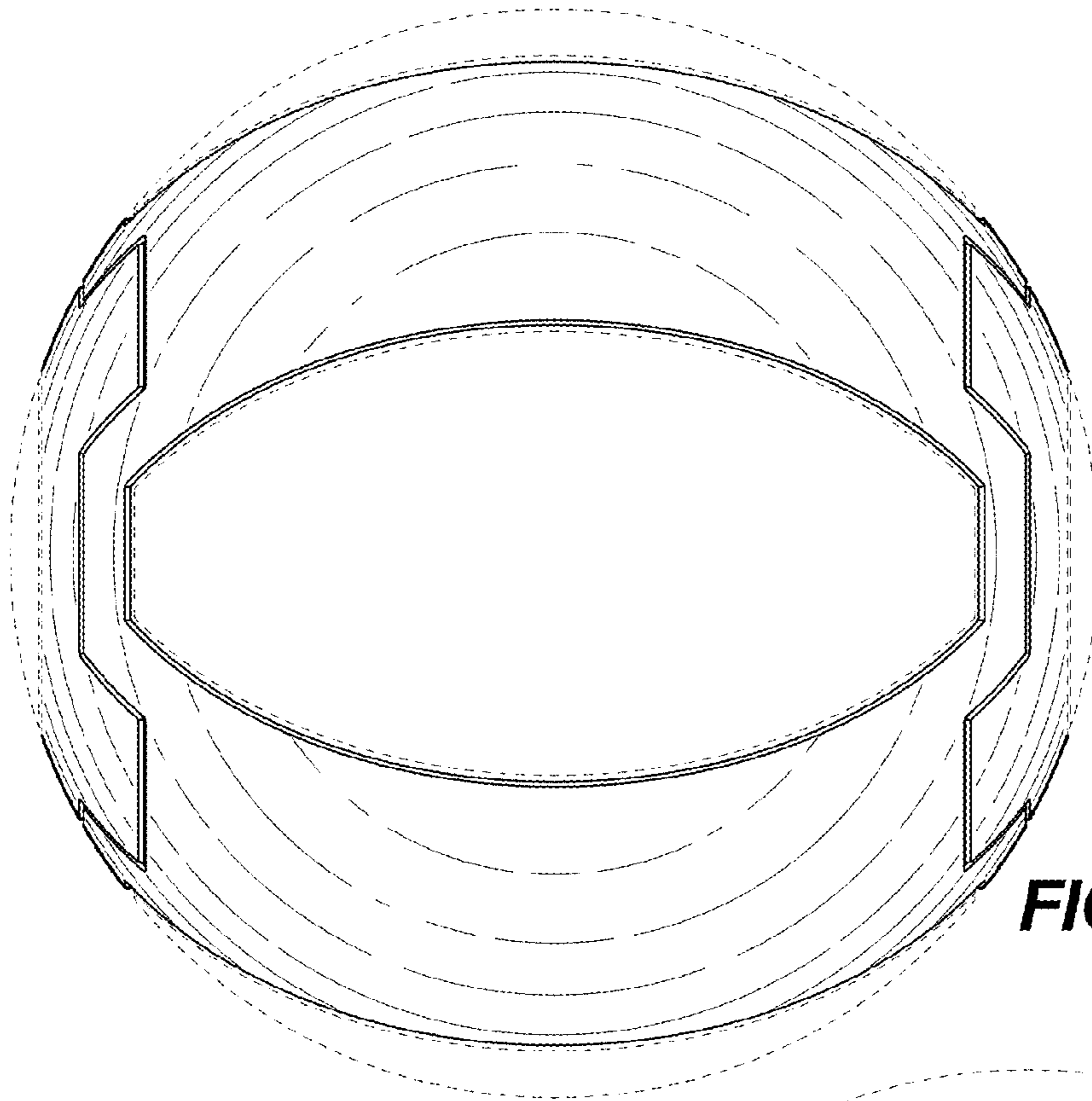


FIG. 4

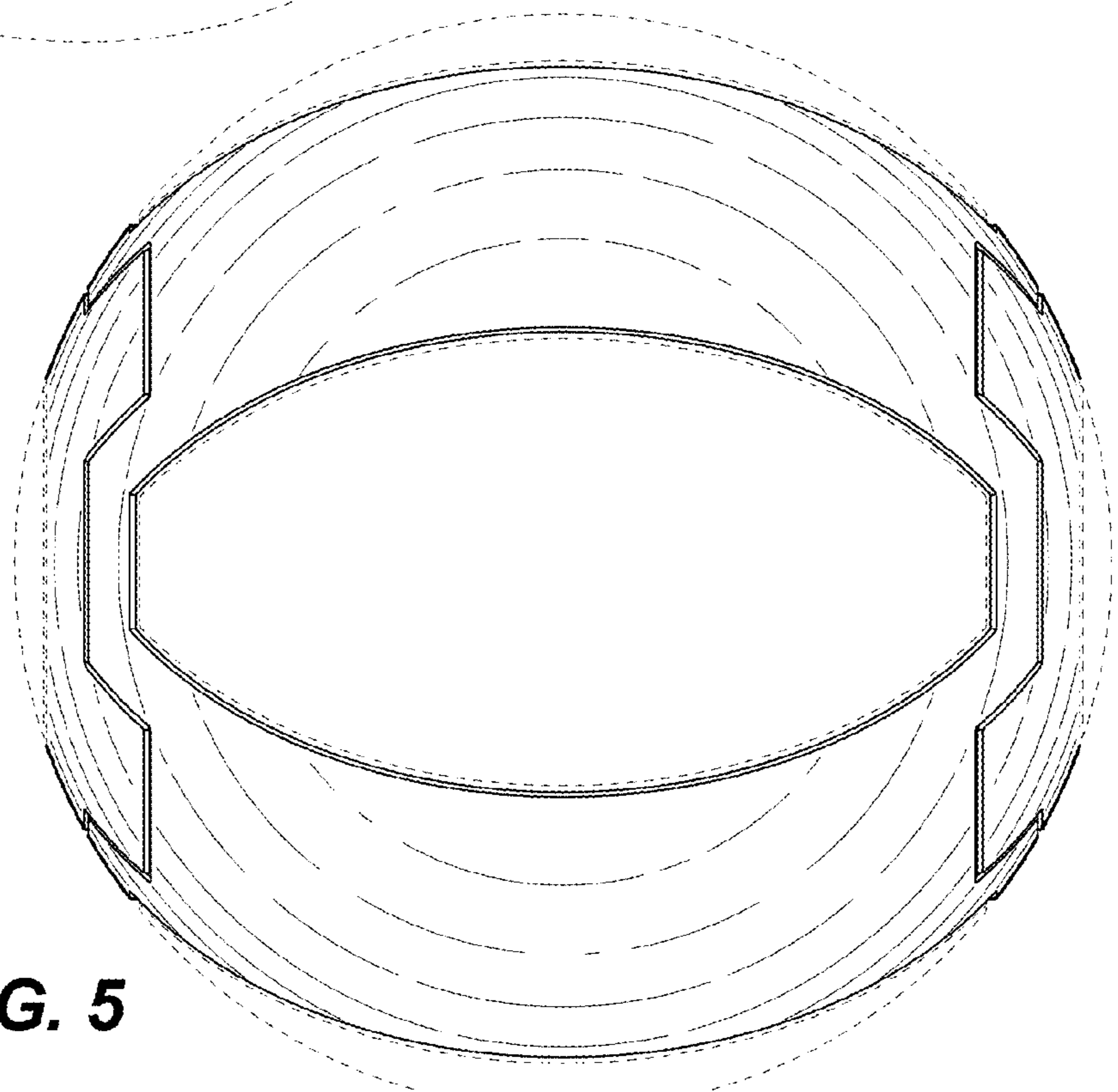


FIG. 5

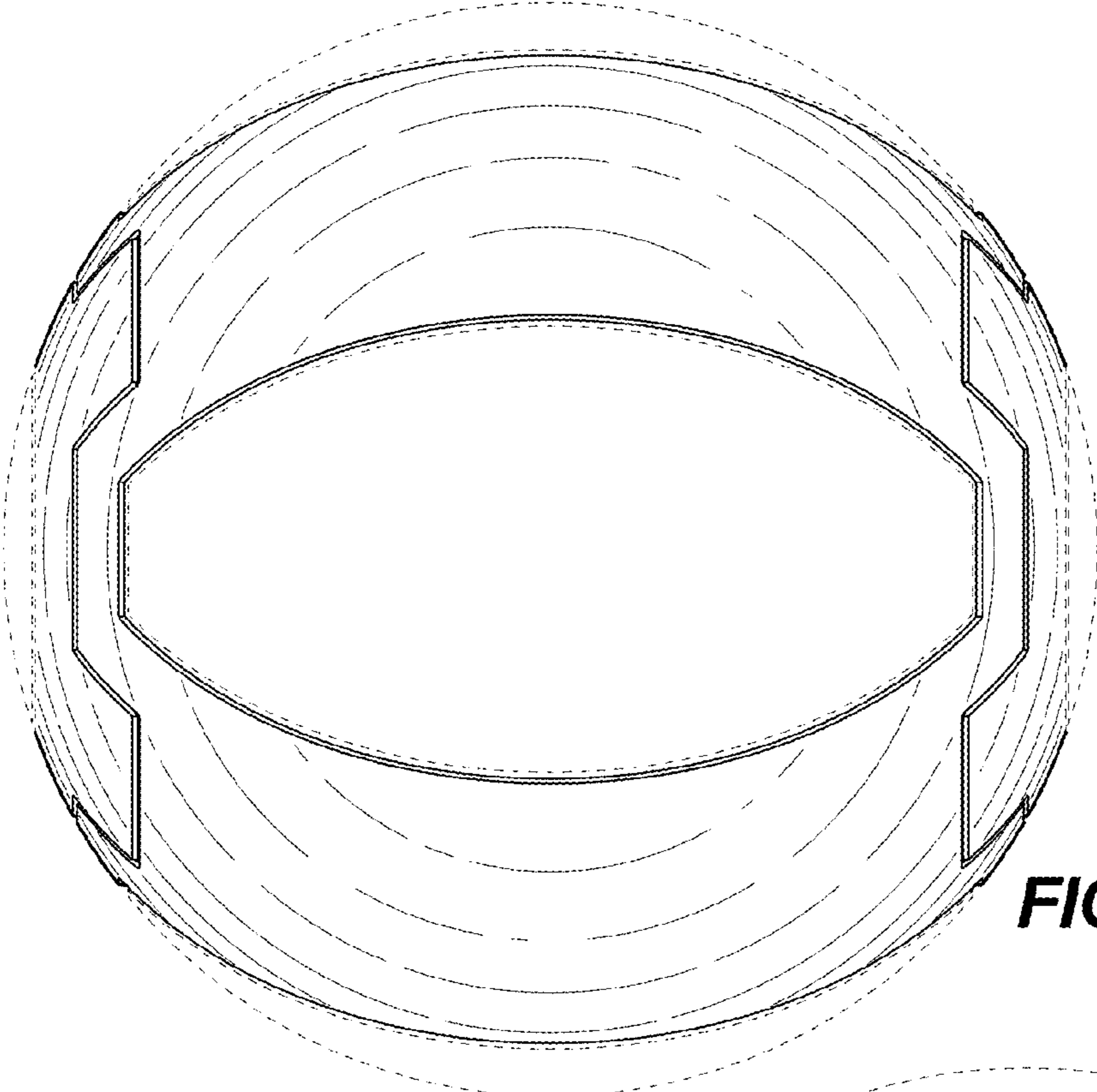


FIG. 6

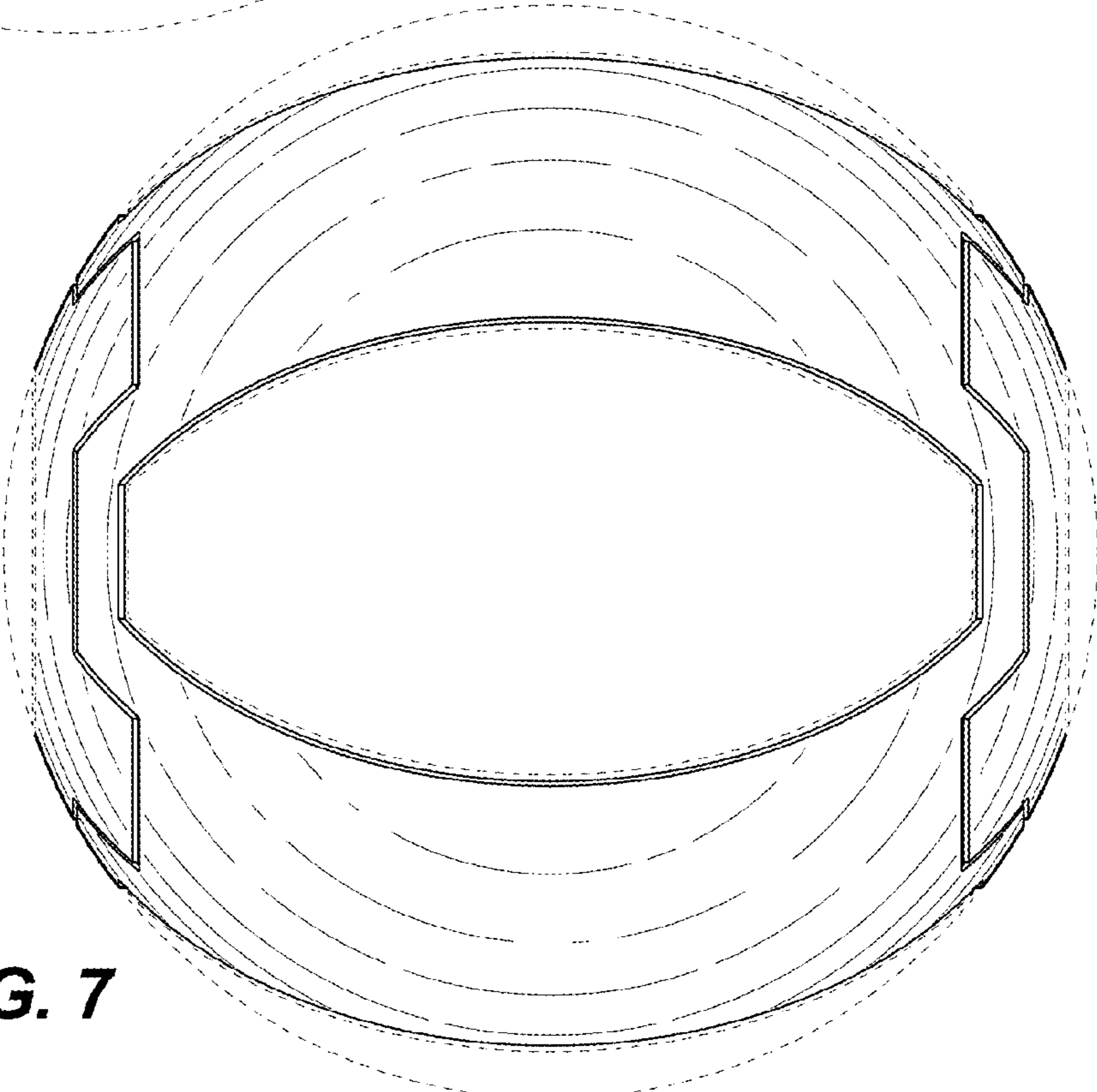


FIG. 7