



US00D875851S

(12) **United States Design Patent** (10) **Patent No.:** **US D875,851 S**
Ben (45) **Date of Patent:** **** Feb. 18, 2020**

(54) **CARRIER FOR YOGA MAT AND THE LIKE**

(71) Applicant: **Elena Cornelia Savino Ben**, New York, NY (US)

(72) Inventor: **Elena Cornelia Savino Ben**, New York, NY (US)

(**) Term: **15 Years**

(21) Appl. No.: **29/695,579**

(22) Filed: **Jun. 20, 2019**

Related U.S. Application Data

(63) Continuation of application No. 29/651,585, filed on Oct. 3, 2018.

(51) **LOC (12) Cl.** **21-02**

(52) **U.S. Cl.**
USPC **D21/662; D3/254**

(58) **Field of Classification Search**
USPC 224/259, 627; 482/148; 5/417, 419, 420, 5/482; D21/680; D3/201, 216, 217, 226, D3/228, 233, 246, 254, 276, 285, 290, D3/300, 315; D6/368, 595, 596, 601, D6/608, 611; D7/703
CPC ... A63B 21/4037; A63B 6/00; A63B 2210/50; A47G 27/0237; A47G 9/062; A45F 3/04; A45F 4/02
See application file for complete search history.

(56) **References Cited**

U.S. PATENT DOCUMENTS

D216,610 S * 2/1970 Stiver D6/596
4,372,073 A * 2/1983 Goldman A01K 97/06
224/920
D271,162 S * 11/1983 Evans D3/254
D283,758 S * 5/1986 Stewart 224/148.4
5,361,435 A * 11/1994 Reeves A45C 3/10
5/419

D385,452 S * 10/1997 Marti 5/419
D389,642 S * 1/1998 Nadel D3/254
D391,109 S * 2/1998 Miller D6/596
D395,751 S * 7/1998 Dominique D3/226
5,887,711 A * 3/1999 McAuliffe A45C 3/004
206/278
D439,463 S * 3/2001 Bare D6/595
D468,905 S * 1/2003 Nevins D3/246
D470,308 S * 2/2003 McGeehan D3/228
6,640,359 B1 * 11/2003 Alane A47G 27/0237
5/417

(Continued)

OTHER PUBLICATIONS

“Parkia Mat Carrier”, <https://jadeyoga.com/products/parkia-mat-carrier>, pp. 1-7, Printed Sep. 26, 2019.

(Continued)

Primary Examiner — Ryan Harvey
(74) *Attorney, Agent, or Firm* — Cowan, Liebowitz & Latman P.C.

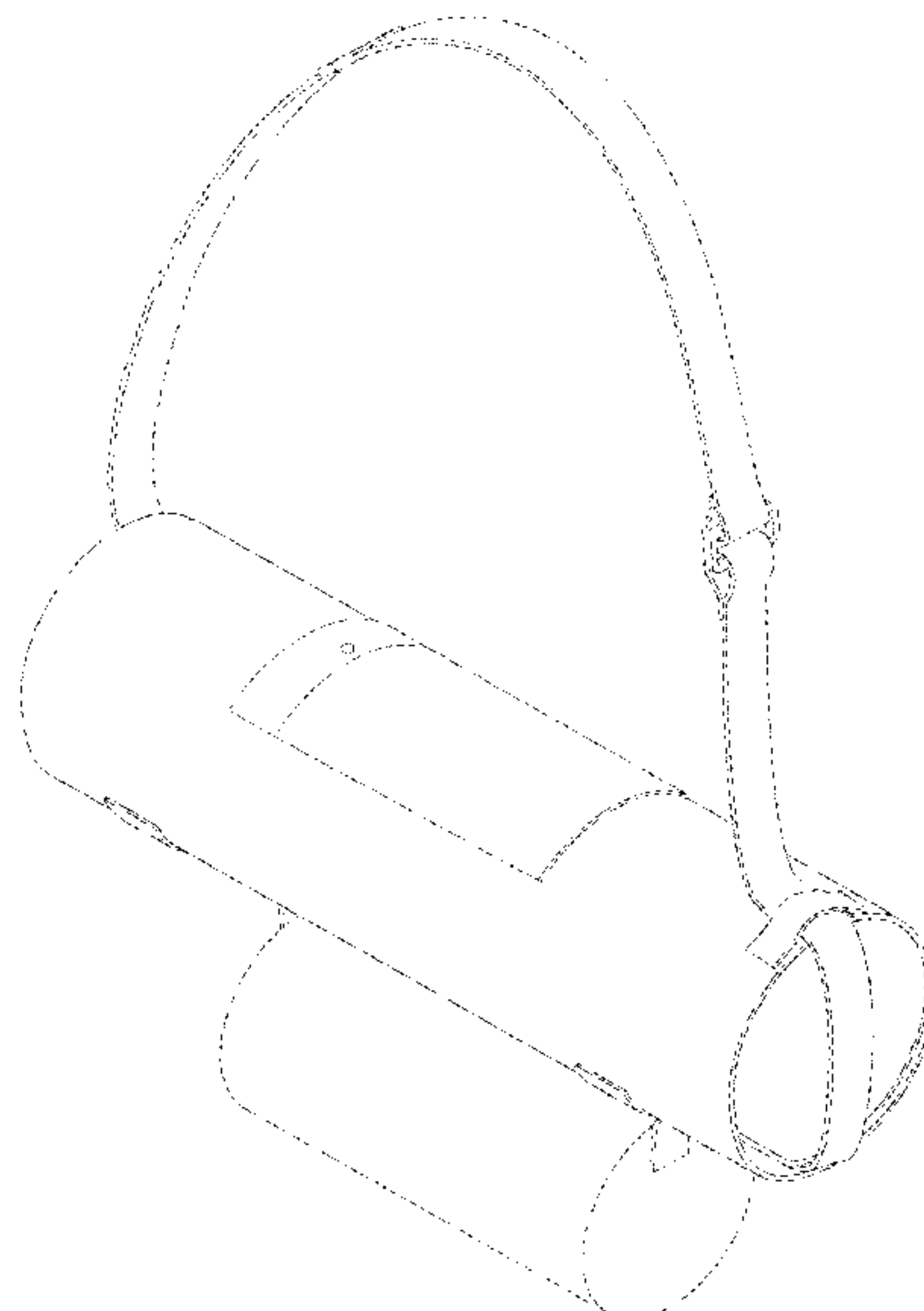
(57) **CLAIM**

The ornamental design for a carrier for yoga mat and the like, as shown and described.

DESCRIPTION

FIG. 1 is a top perspective view of the carrier for yoga mat and the like showing my design;
FIG. 2 is a bottom perspective view thereof;
FIG. 3 is a front view thereof;
FIG. 4 is a right side view thereof;
FIG. 5 is a rear view thereof;
FIG. 6 is a left side view thereof;
FIG. 7 is a bottom view thereof; and,
FIG. 8 is a top view thereof.
The broken line showing of portions of the carrier for yoga mat and the like depicts environment and forms no part of the claim.

1 Claim, 8 Drawing Sheets



(56)

References Cited

U.S. PATENT DOCUMENTS

6,751,816 B1 * 6/2004 Wechsler A45F 3/14
383/4
7,007,322 B2 * 3/2006 Alane A47G 27/0237
5/417
D530,512 S * 10/2006 Palaszek D3/254
D586,554 S * 2/2009 Baptiste D3/233
D624,314 S * 9/2010 Baptiste D3/276
7,971,763 B2 * 7/2011 Chace A45F 5/14
224/153
D646,485 S * 10/2011 Mason D3/284
8,079,502 B2 * 12/2011 Montgomery A45C 7/0063
224/579
D672,414 S * 12/2012 Januszek D21/680
D675,019 S * 1/2013 Jacobson D3/285
D699,031 S * 2/2014 Clavette D3/216
D702,942 S * 4/2014 Redman D3/254
D720,537 S * 1/2015 Taller D3/285
D737,049 S * 8/2015 Seip D3/226
D737,052 S * 8/2015 James D3/300
D759,374 S * 6/2016 Cheung-Costanza D3/254
D763,573 S * 8/2016 Klein D3/254
D784,692 S * 4/2017 Sandorffy D3/254
9,648,933 B2 * 5/2017 Munoz A45C 15/00
D788,464 S * 6/2017 Jin D3/300
D801,044 S * 10/2017 Griffin D3/254
D824,667 S * 8/2018 Perry D3/254
D840,153 S * 2/2019 Persellin D3/315

D852,492 S * 7/2019 Anderson D3/217
D860,635 S * 9/2019 Connelly D3/201
2005/0172402 A1 * 8/2005 Uretzky-Miller A45F 3/02
5/417
2007/0157382 A1 * 7/2007 Reeves A47G 9/0246
5/482
2008/0229501 A1 * 9/2008 Hutchison A45C 13/30
5/420
2017/0013946 A1 * 1/2017 Bergman A45C 9/00
2017/0303668 A1 * 10/2017 Kesler A45C 7/0054
2019/0134484 A1 * 5/2019 Bova A63B 71/0036

OTHER PUBLICATIONS

“PrAna Tote Mat Holder”, <https://www.rei.com/product/895937/prana-tote-mat-holder>, pp. 1-6, Printed Sep. 26, 2019.
“Manduka Go Move Yoga Mat Sling”, <https://www.rei.com/product/112757/manduka-go-move-yoga-mat-sling>, pp. 1-7, Printed Sep. 26, 2019.
“Manduka Go Play Yoga Mat Carrier”, <https://www.rei.com/product/112758/manduka-go-play-yoga-mat-carrier>, pp. 1-7, Printed Sep. 26, 2019.
“Gaiam On-The-Go Yoga Mat Sling”, <https://www.yogaoutlet.com/products/gaiam-on-the-go-yoga-mat-sling-8162116?color=granitestorm&variant=14826802053155>, pp. 1-9, Printed Sep. 26, 2019.
“Yoga EVO Bag”, <https://www.amazon.com/stores/YogaEVO/Bag/page/6D28D4D8-A40B-40C2-B422-C71D5CCD01FC>, pp. 1-3, Printed Sep. 26, 2019.

* cited by examiner

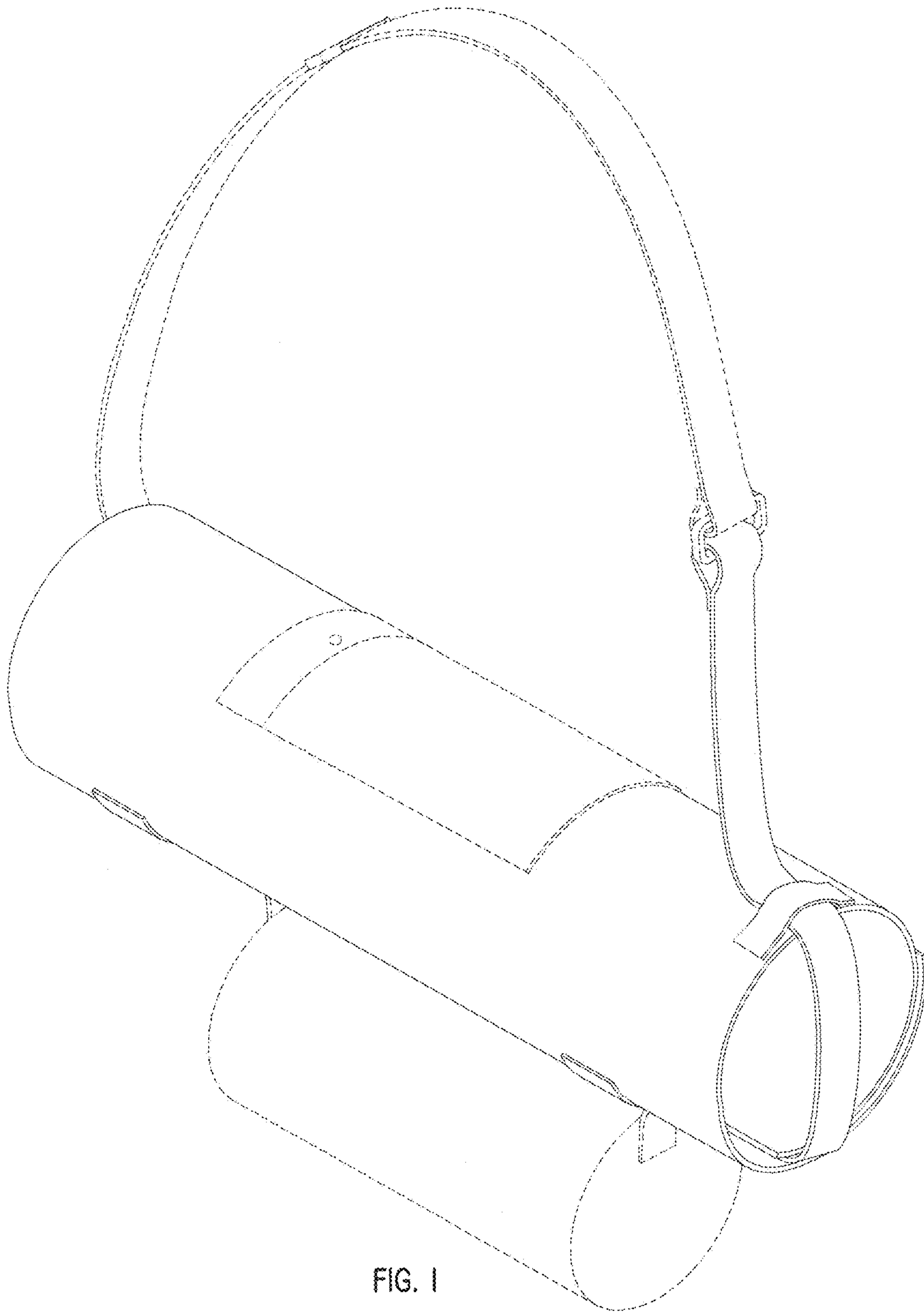
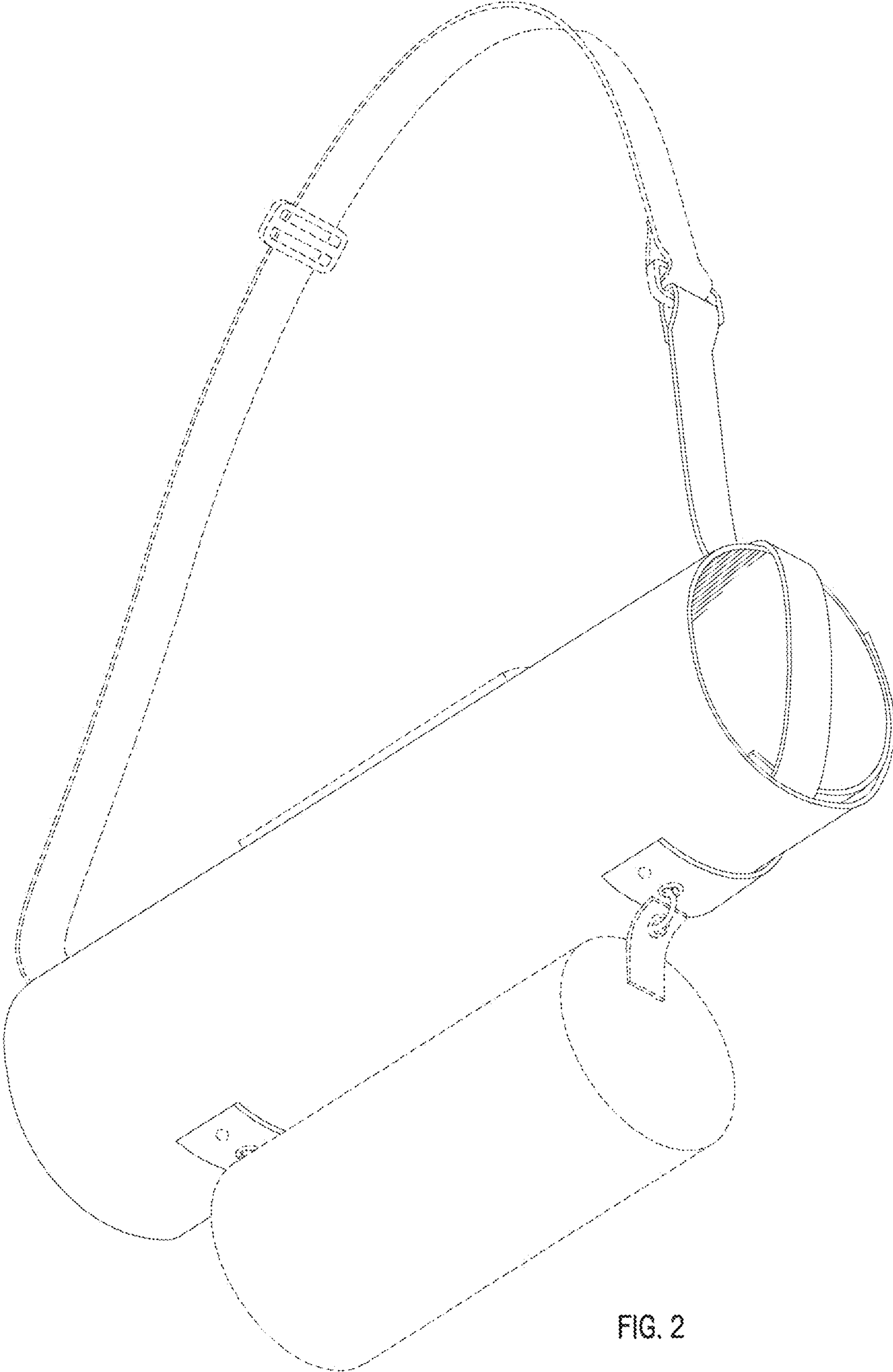


FIG. 1



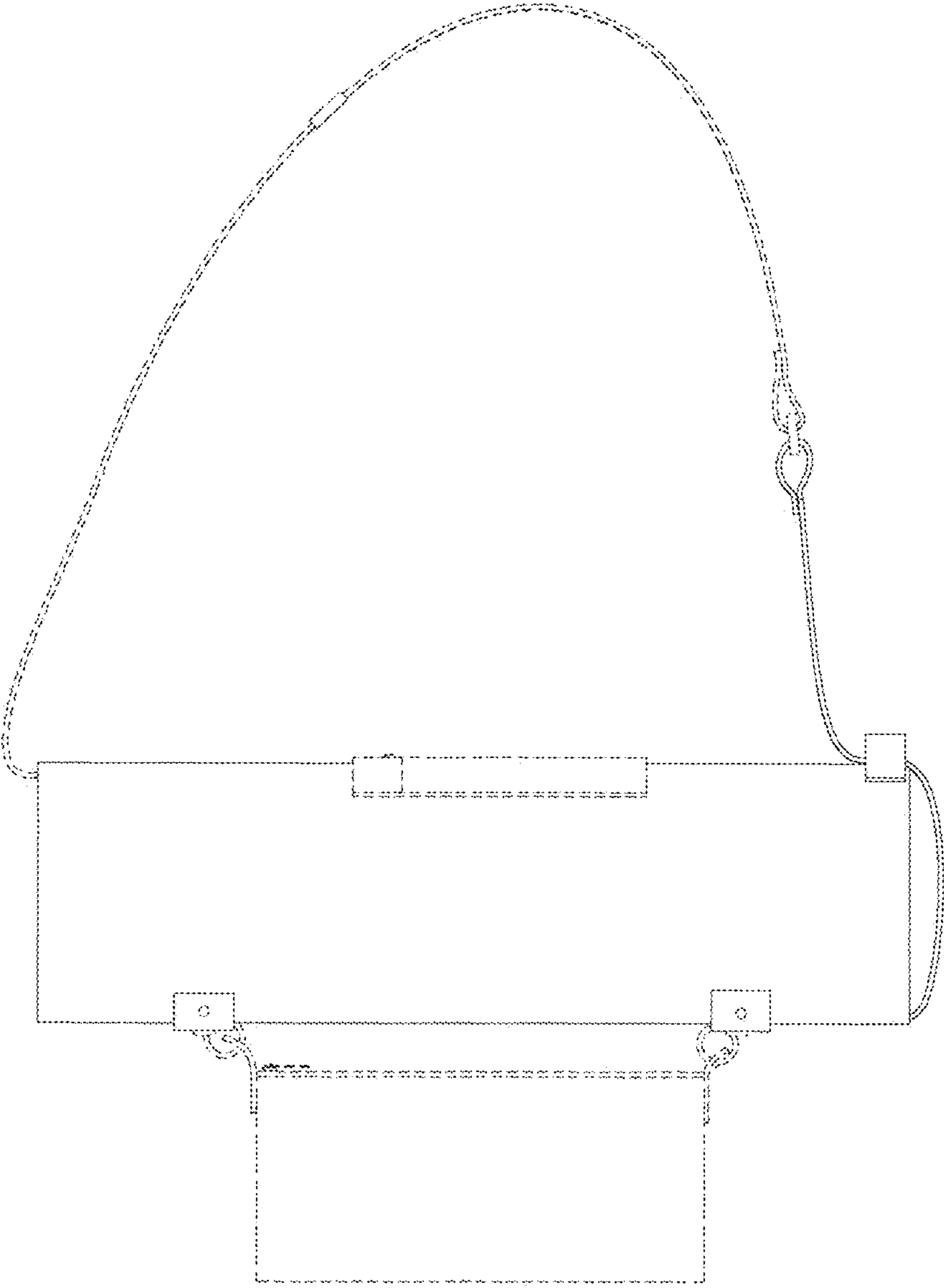


FIG. 3

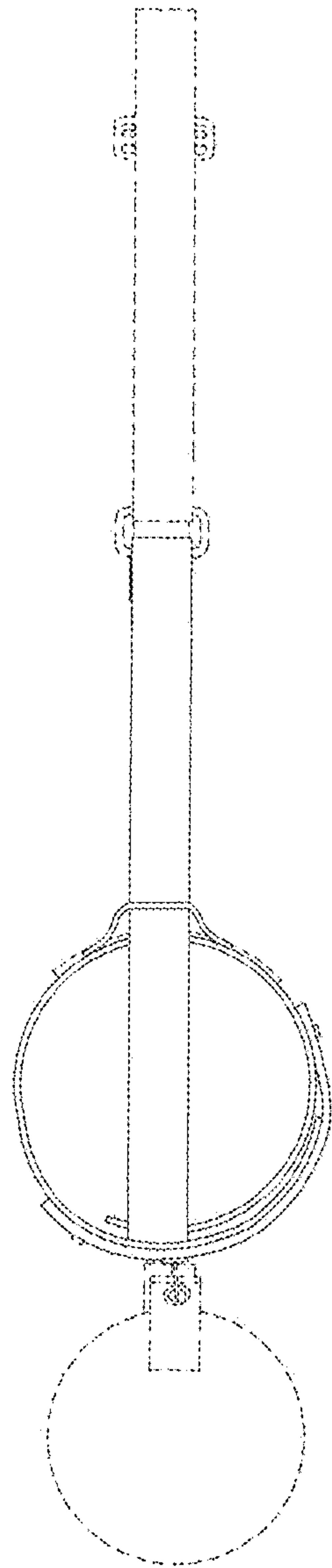


FIG. 4

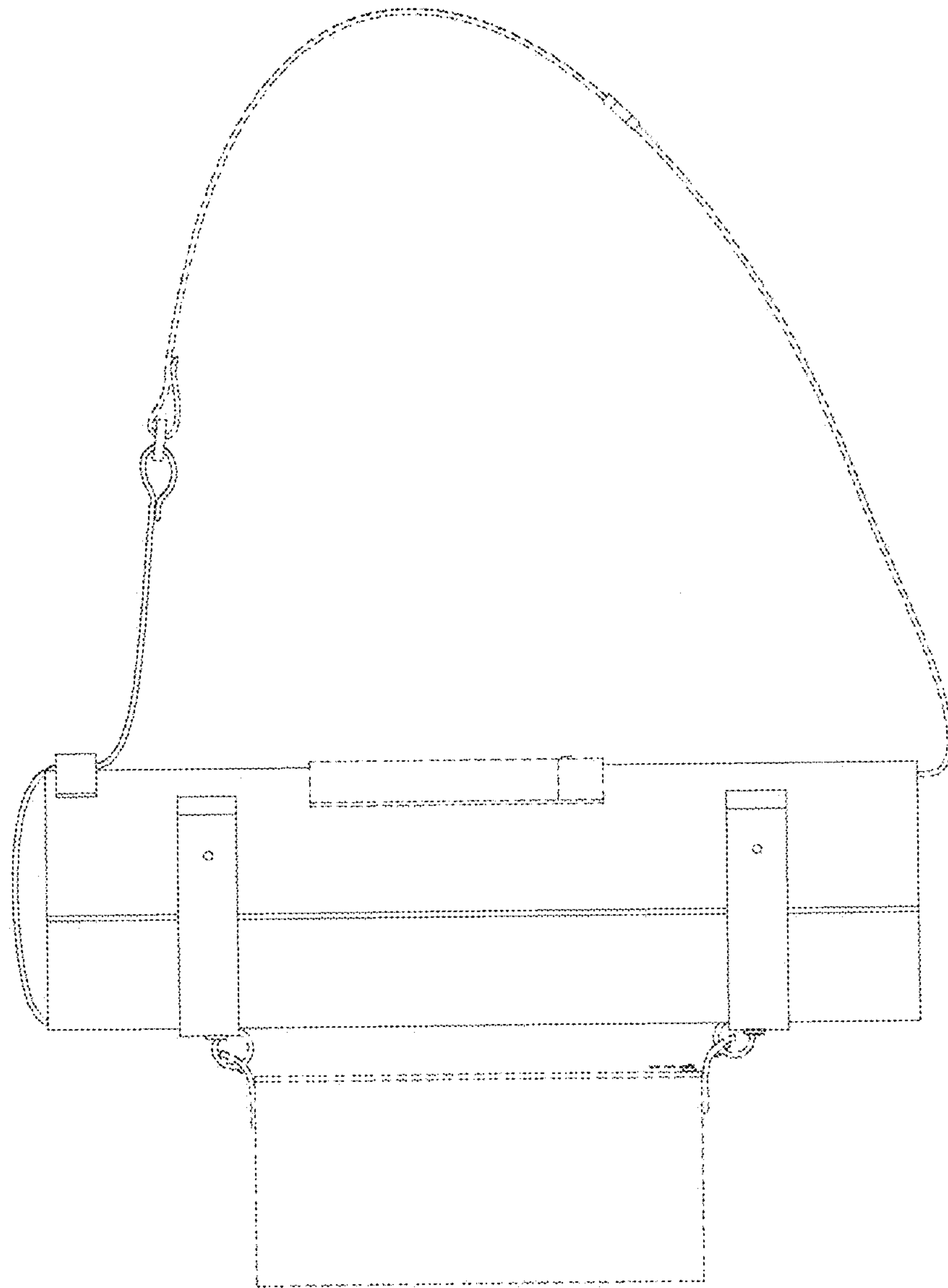


FIG. 5

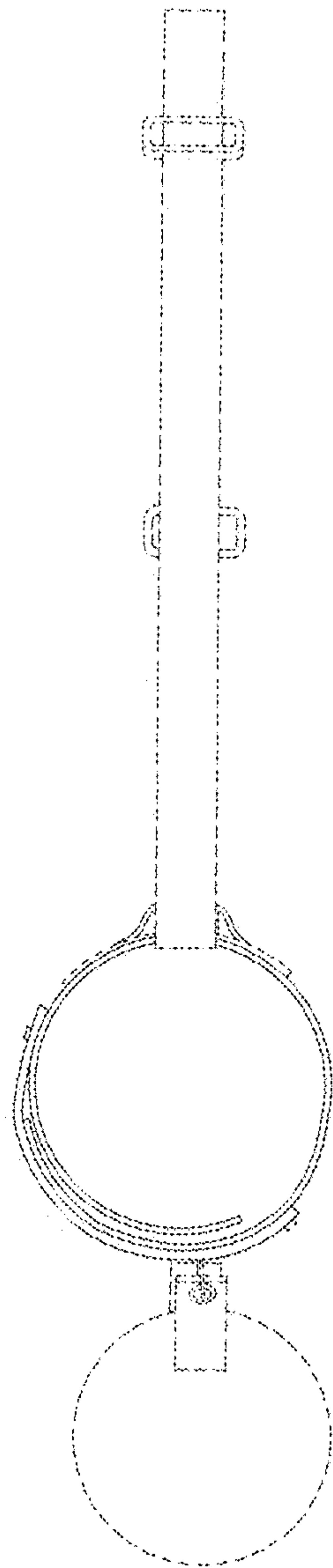


FIG. 6

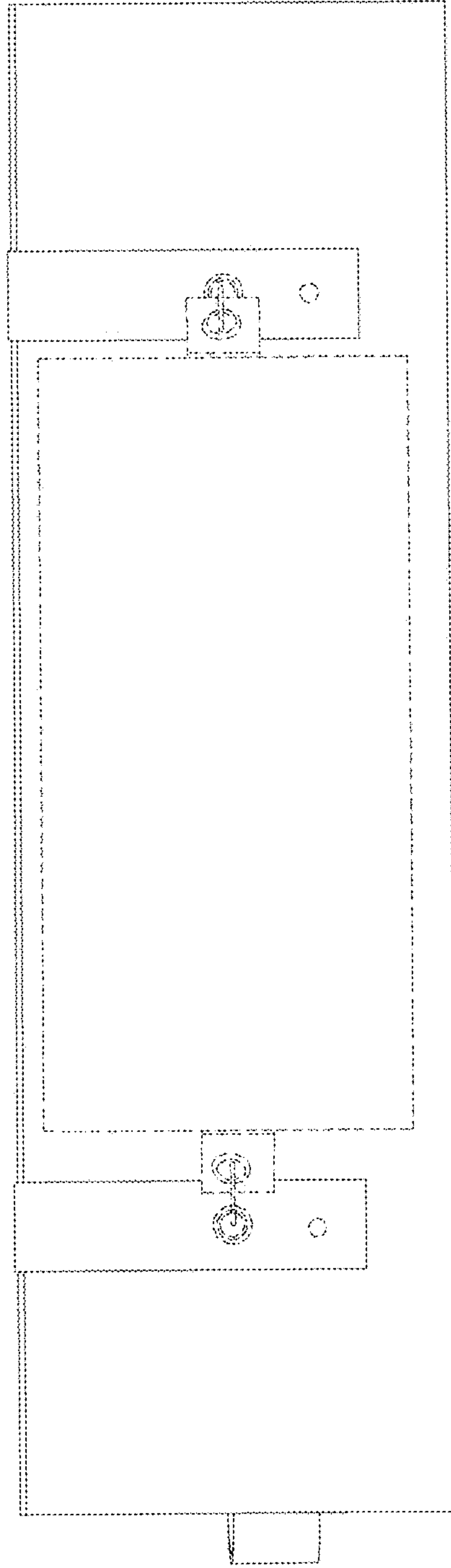


FIG. 7

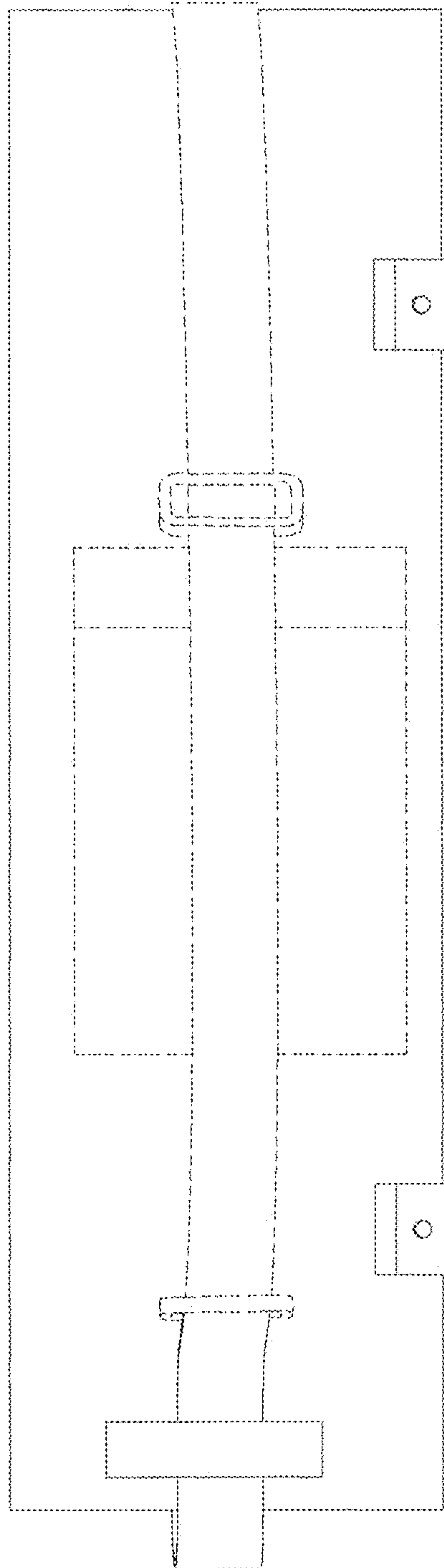


FIG. 8