



US00D875848S

(12) **United States Design Patent**
Wood et al.

(10) **Patent No.:** **US D875,848 S**
(45) **Date of Patent:** **** Feb. 18, 2020**

(54) **SWAY BAR ASSEMBLY FOR A MODEL VEHICLE**

FOREIGN PATENT DOCUMENTS

FR 2941405 A1 * 7/2010 B60G 21/0551

(71) Applicant: **TRAXXAS LP**, McKinney, TX (US)

OTHER PUBLICATIONS

(72) Inventors: **Jonathan Scott Wood**, Plano, TX (US);
Adam Cole Ewing, McKinney, TX (US); **Otto Karl Allmendinger**,
Rowlett, TX (US)

Capricorn C-803 F1 Style Rear Sway-Bar, posted at RC News, posting date Jan. 31, 2017. Site visited Apr. 12, 2019. URL: <<http://www.rcnews.net/2017/01/31/capricorn-c-80341-style-rear-sway-bad/>> (Year: 2017).*

(Continued)

(73) Assignee: **TRAXXAS LP**, McKinney, TX (US)

Primary Examiner — Kevin K Rudzinski

Assistant Examiner — Kathleen L Jones

(**) Term: **15 Years**

(74) *Attorney, Agent, or Firm* — Daryl R. Wright; Greg Carr

(21) Appl. No.: **29/633,844**

(57) **CLAIM**

We claim the ornamental design for a sway bar assembly for a model vehicle, as shown and described.

(22) Filed: **Jan. 16, 2018**

DESCRIPTION

(51) **LOC (12) Cl.** **21-01**

(52) **U.S. Cl.**
USPC **D21/561**; D12/159

(58) **Field of Classification Search**
USPC D21/495, 561; D12/159–160
CPC B60G 2200/1322; B60G 2200/14; B60G 2200/142; B60G 2200/1422; B60G 2200/1424; B60G 2200/1442; B60G 2200/156; B60G 2200/182; B60G 2200/22; B60G 2200/315
See application file for complete search history.

FIG. 1 is an upper, right, front perspective view of a sway bar assembly for a model vehicle;
FIG. 2 is a front elevation view thereof;
FIG. 3 is a rear elevation view thereof;
FIG. 4 is a left side elevation view thereof;
FIG. 5 is a right side elevation view thereof;
FIG. 6 is a top plan view thereof;
FIG. 7 is a bottom plan view thereof;
FIG. 8 is an upper, left, rear perspective view; and,
FIG. 9 is an upper, right, rear perspective view thereof showing the sway bar assembly for a model vehicle within a broken line environment of use.

In the drawings, the broken line showing of features of the sway bar assembly for a model vehicle illustrate portions of the sway bar assembly for a model vehicle that form no part of the claimed design; whereas, the broken lines showing of a model vehicle in FIG. 9 are included to illustrate environmental structure and also form no part of the claimed design.

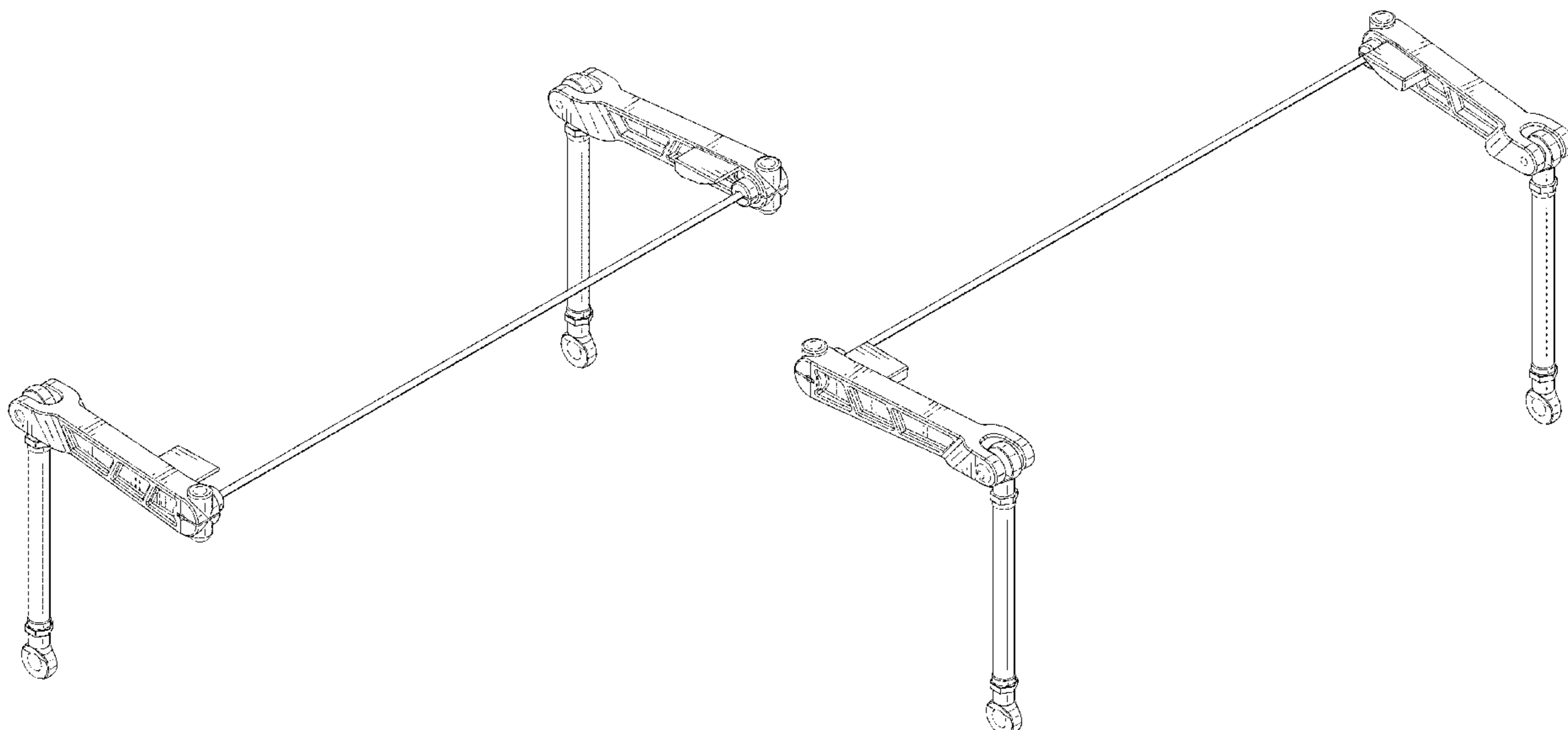
(56) **References Cited**

U.S. PATENT DOCUMENTS

| | | | | |
|---------------|---------|------------|-------|-----------|
| D34,632 S * | 6/1901 | Warner | | D12/159 |
| D250,465 S * | 12/1978 | Morrison | | D12/159 |
| 4,600,216 A * | 7/1986 | Burkholder | | B62D 9/02 |
| | | | | 180/210 |
| D289,277 S * | 4/1987 | Horberg | | D12/160 |
| D330,529 S * | 10/1992 | Yun | | D12/107 |
| D330,530 S * | 10/1992 | Yun | | D12/107 |

(Continued)

1 Claim, 8 Drawing Sheets



(56)

References Cited

U.S. PATENT DOCUMENTS

5,186,486 A * 2/1993 Hynds B60G 17/0157
267/277
D395,628 S * 6/1998 Rougier D12/159
6,142,494 A * 11/2000 Higuchi B60G 3/28
280/124.106
6,357,768 B1 * 3/2002 Chan B60G 9/006
280/124.106
D496,610 S * 9/2004 Belair D12/160
7,143,861 B2 * 12/2006 Chu B60G 3/20
180/346
D558,649 S * 1/2008 Smith D12/159
D713,301 S * 9/2014 Haviland D12/159
10,315,696 B2 6/2019 Gordon
D867,476 S * 11/2019 Wood D21/561
10,464,386 B2 * 11/2019 Hisada B60G 15/067
2018/0312025 A1 * 11/2018 Danielson B60T 7/06
2018/0325026 A1 * 11/2018 Krajewski A01D 34/662
2018/0326843 A1 * 11/2018 Danielson F16H 57/035
2018/0354298 A1 * 12/2018 Hays B60B 21/028
2019/0193501 A1 6/2019 Brady et al.
2019/0256136 A1 * 8/2019 Gordon B60B 3/16
2019/0299737 A1 * 10/2019 Sellars B62D 21/183
2019/0329624 A1 * 10/2019 Nishino B60G 13/003

OTHER PUBLICATIONS

ARTINCbydb, Traxxas E-Revo Upper/Lower Arm Replacement,
posted at YouTube, posting date Feb. 4, 2013. Site visited Apr. 12,
2019. URL: <<https://www.youtube.com/watch?v=fGMtjrrzT0>> (Year:
2013).*

* cited by examiner

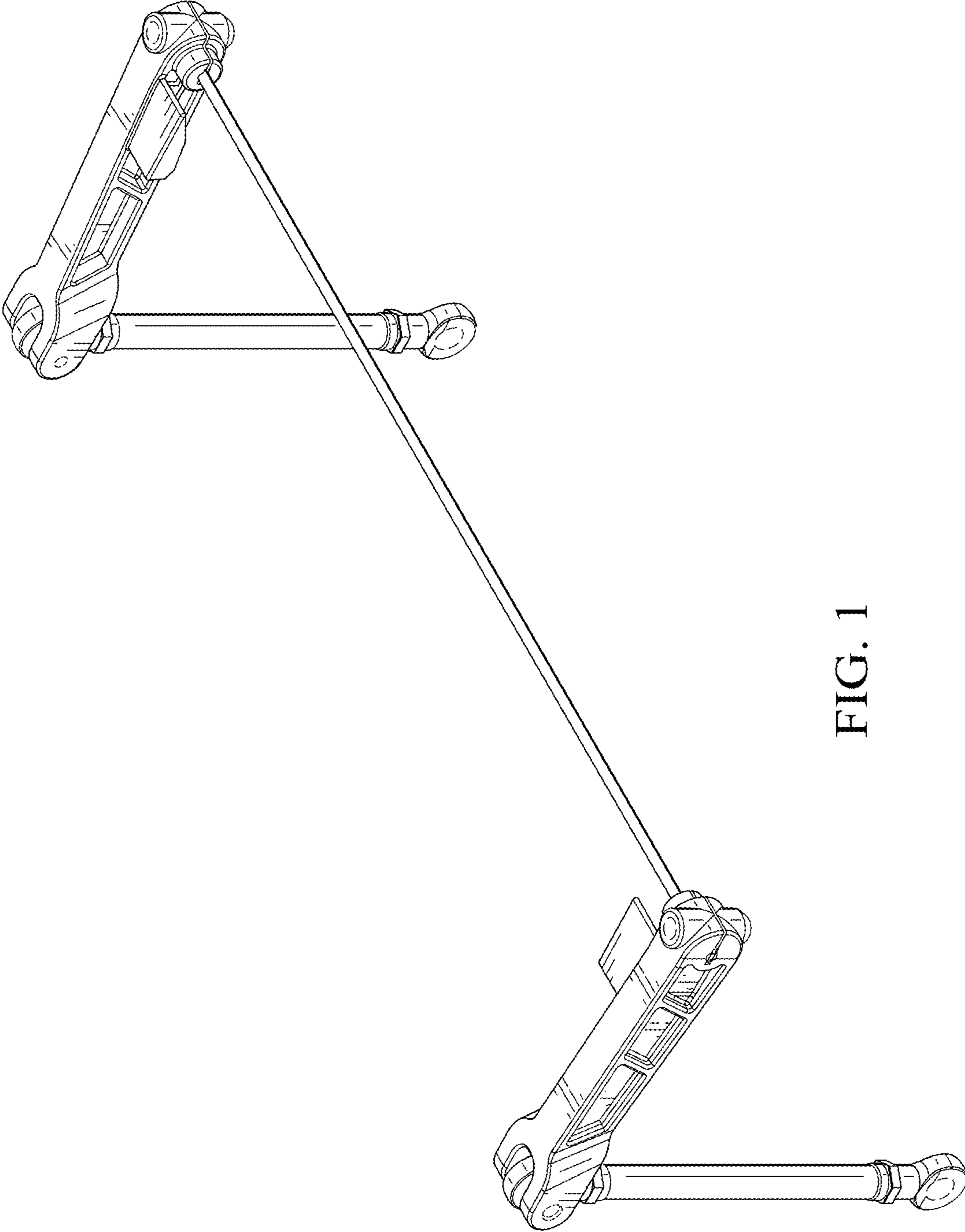


FIG. 1

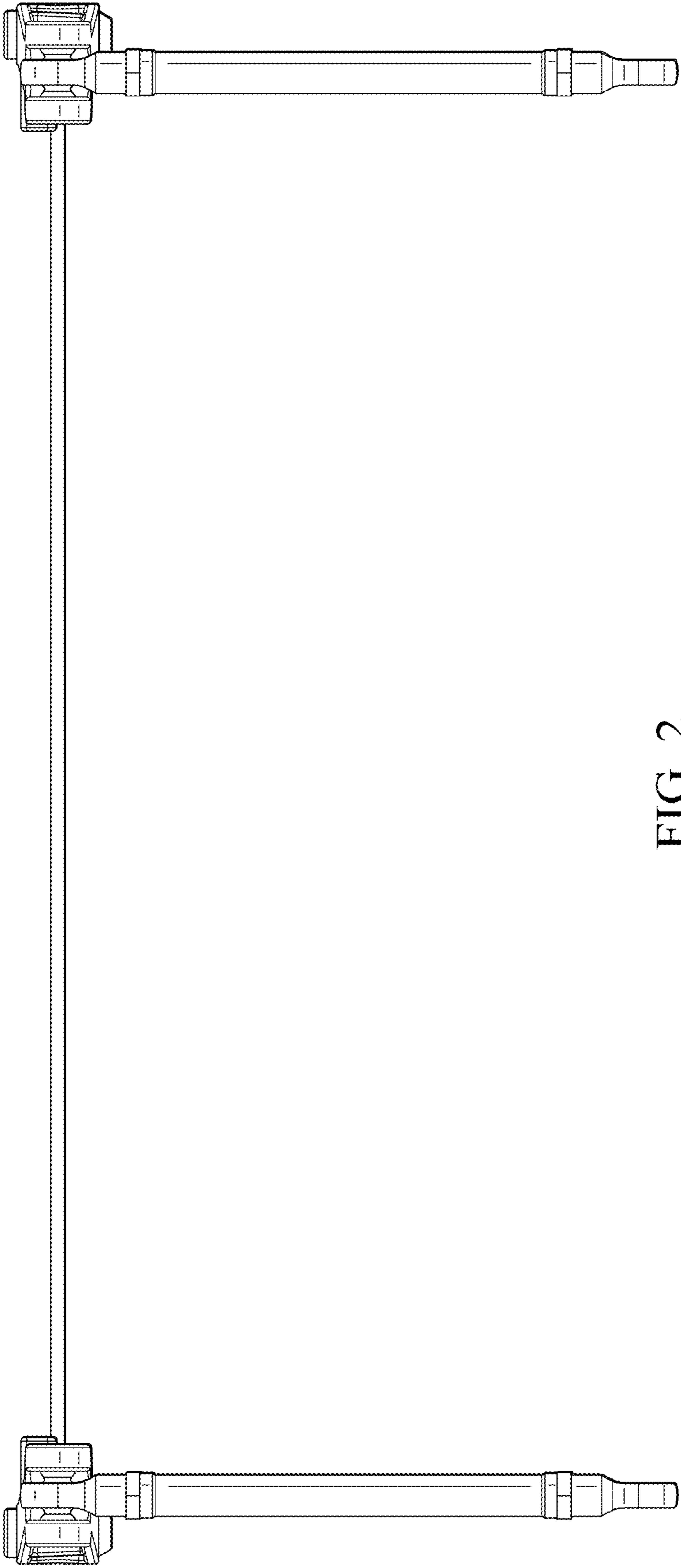


FIG. 2

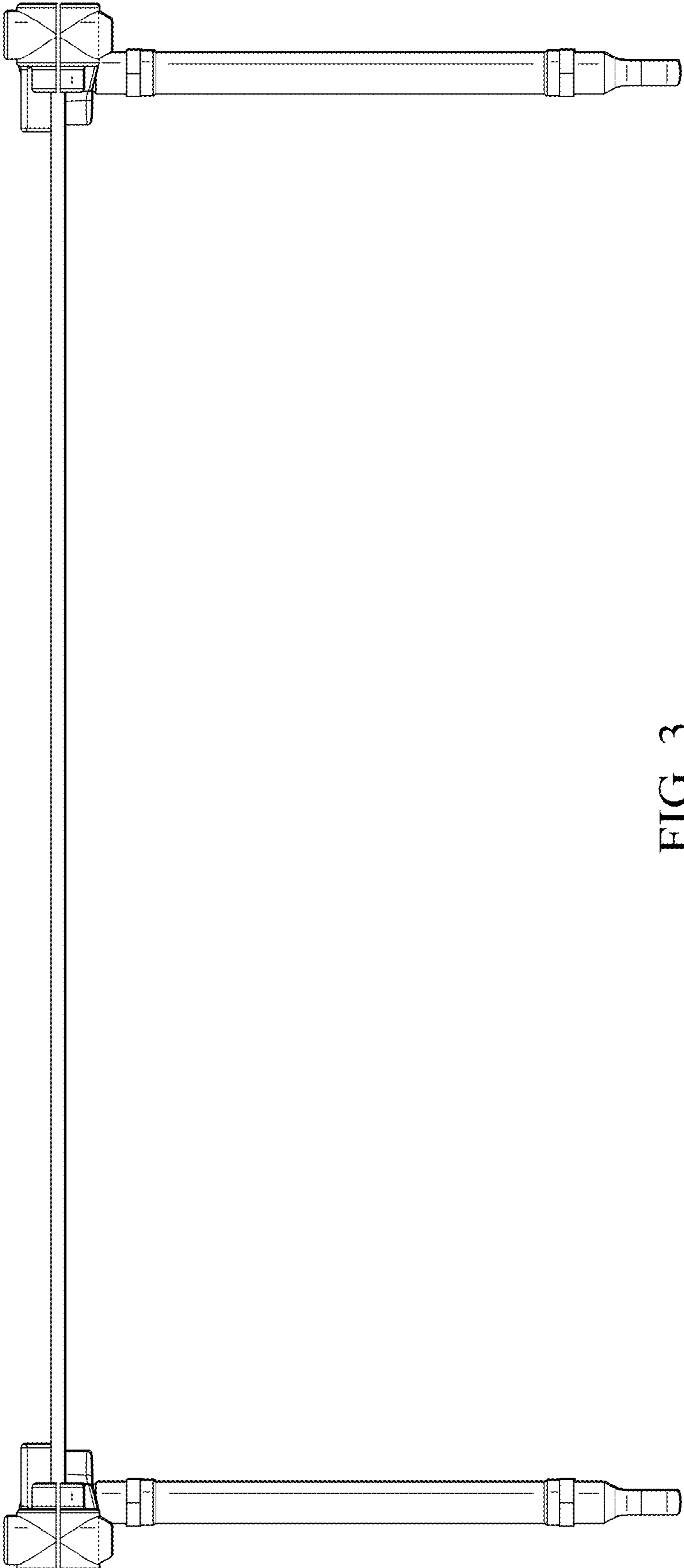


FIG. 3

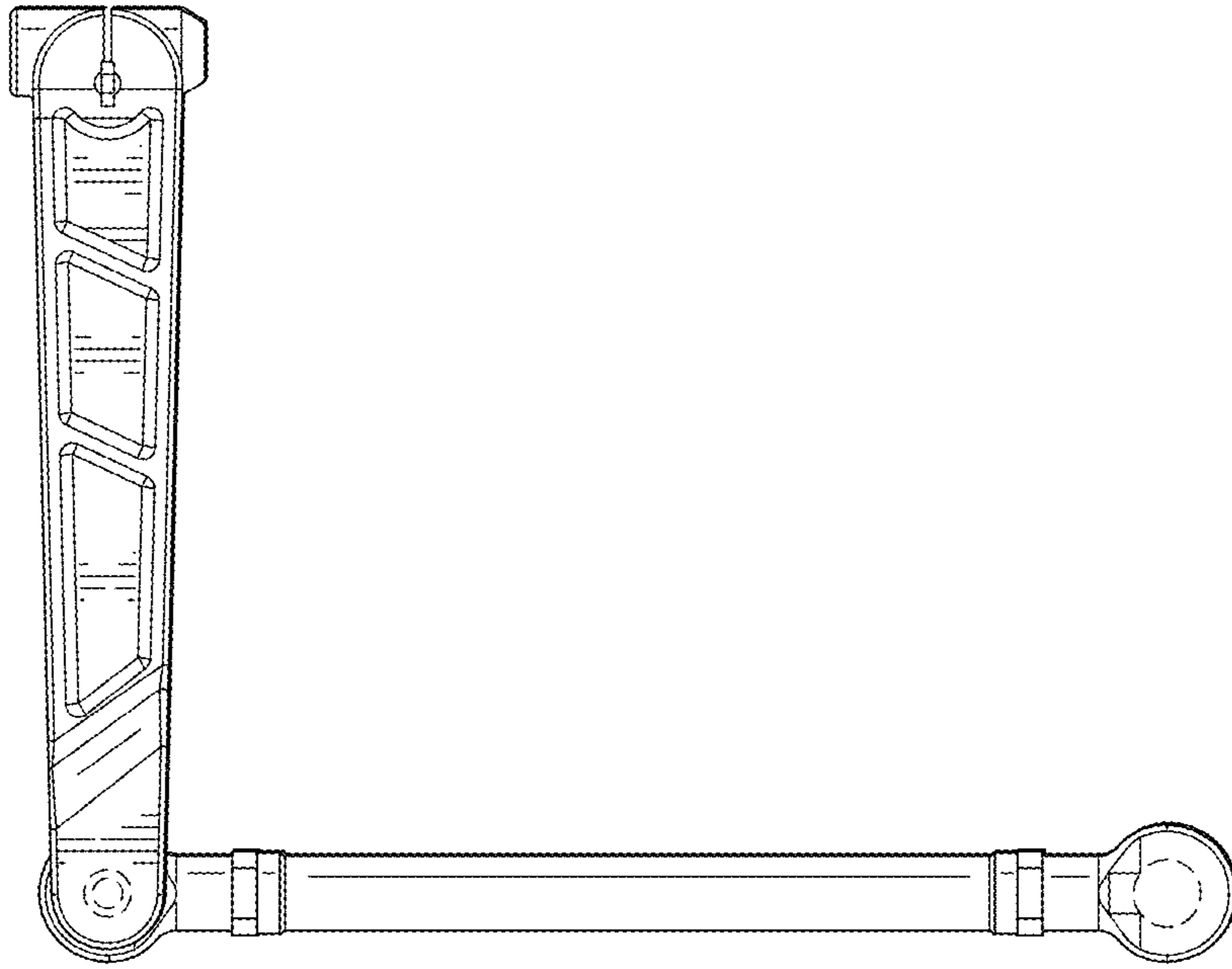


FIG. 5

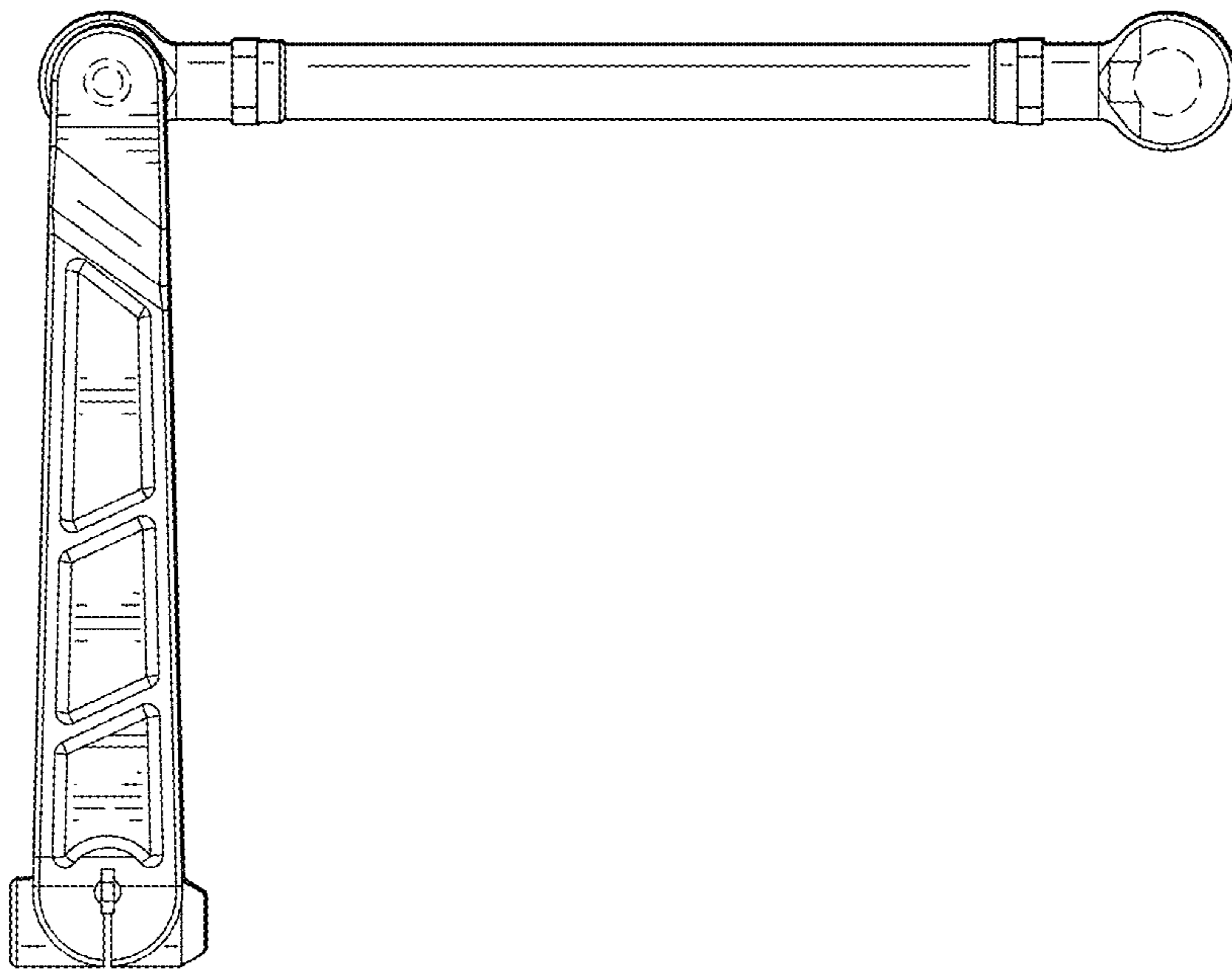


FIG. 4

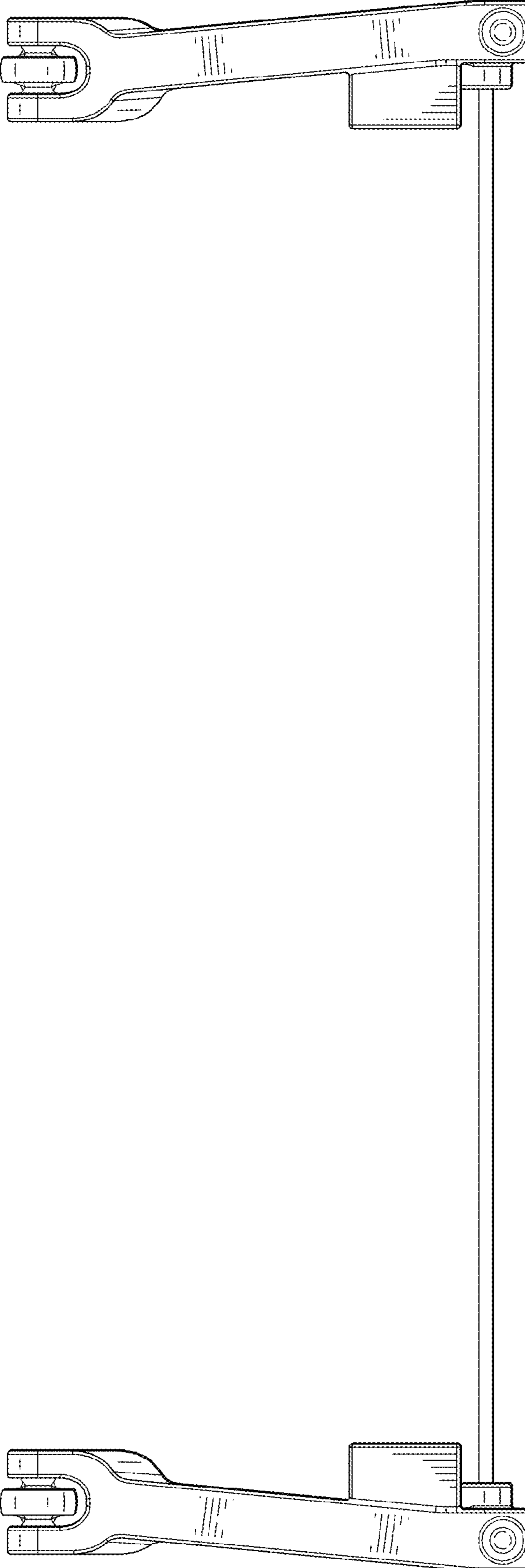


FIG. 6

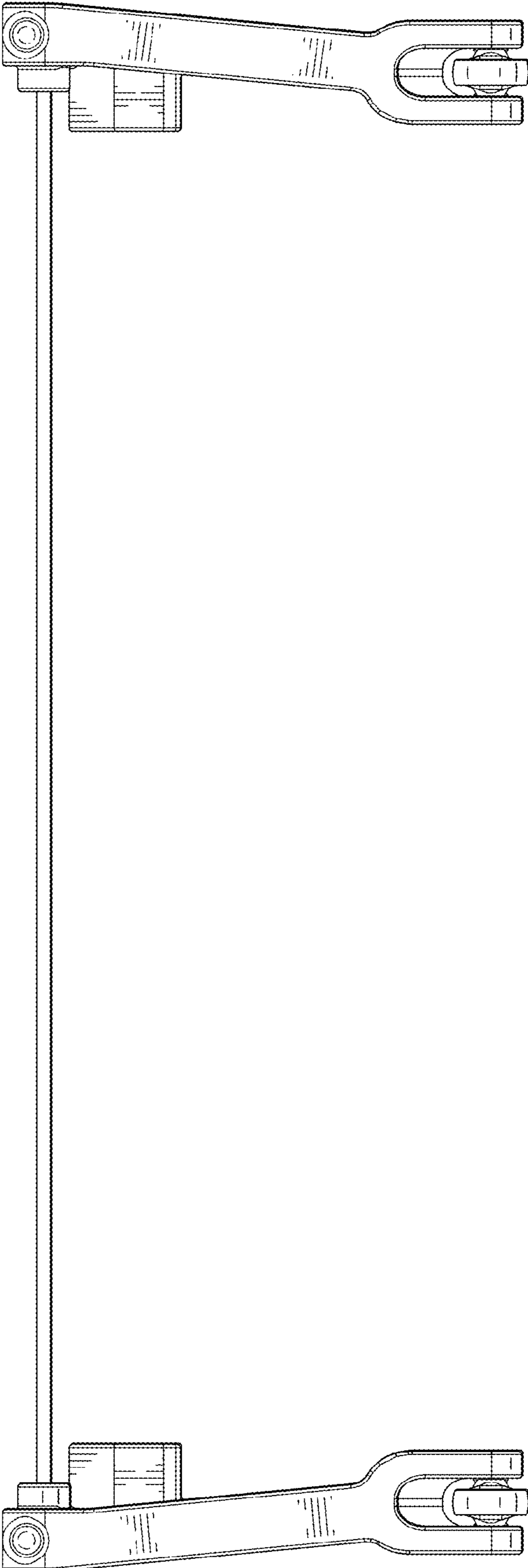


FIG. 7

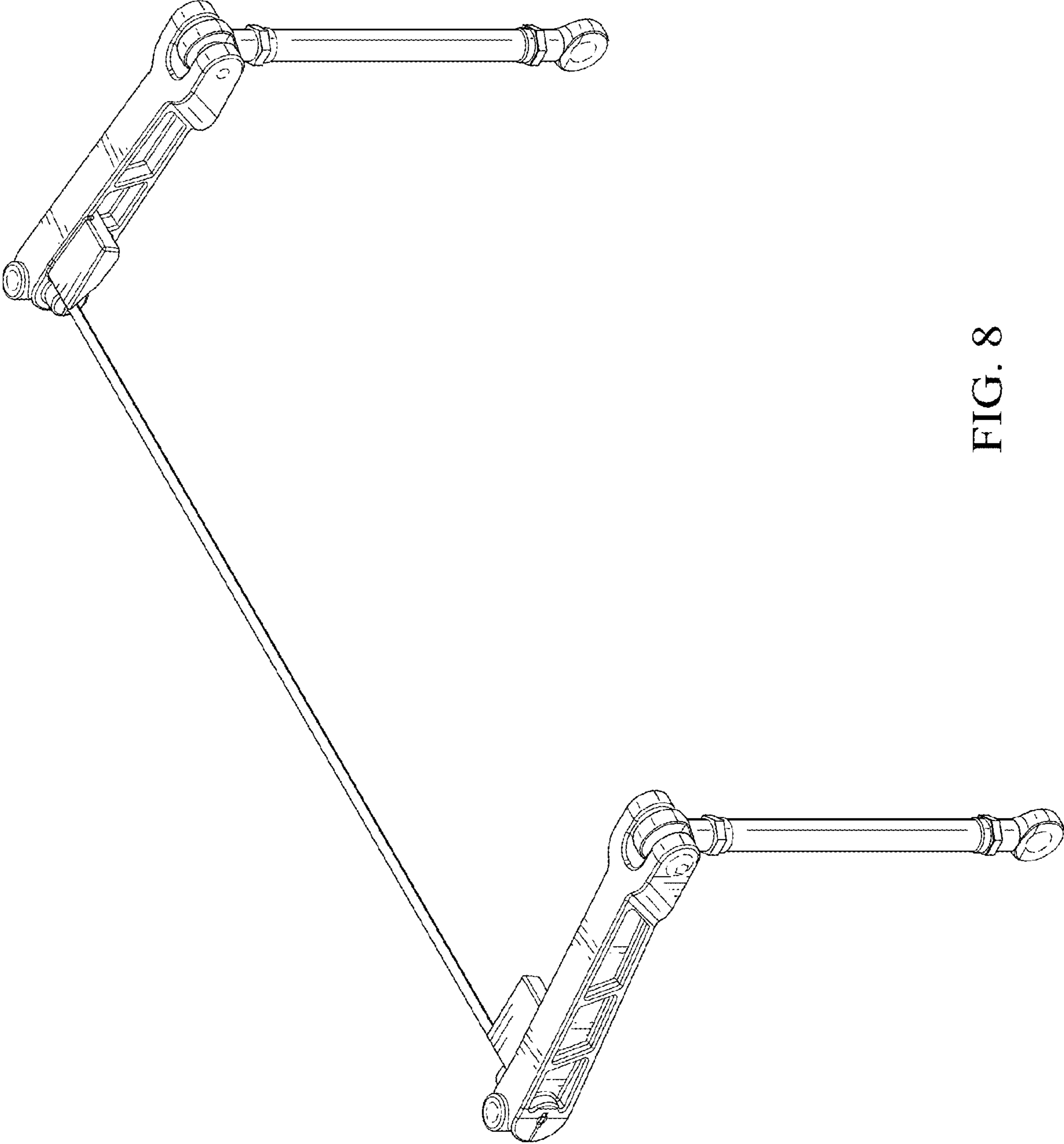


FIG. 8

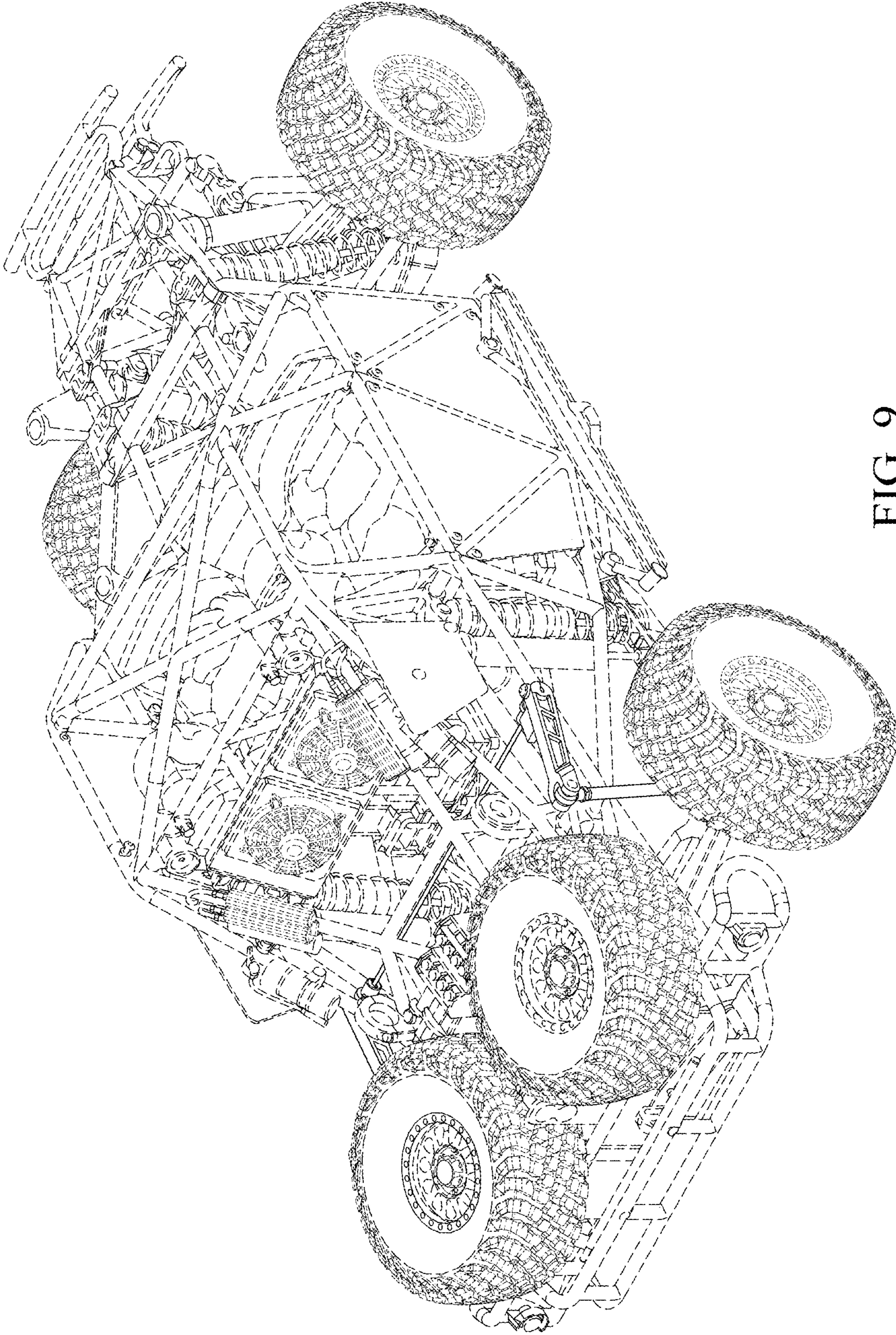


FIG. 9