



US00D875846S

(12) **United States Design Patent**
Koeberl

(10) **Patent No.:** **US D875,846 S**
(45) **Date of Patent:** **** Feb. 18, 2020**

(54) **TRANSLUCENT BLOCK**

(71) Applicant: **Mark George Koeberl**, Janesville, WI (US)

(72) Inventor: **Mark George Koeberl**, Janesville, WI (US)

(**) Term: **15 Years**

(21) Appl. No.: **29/603,939**

(22) Filed: **May 14, 2017**

Related U.S. Application Data

(62) Division of application No. 29/559,578, filed on Mar. 30, 2016, now Pat. No. Des. 788,232.

(51) **LOC (12) Cl.** **21-01**

(52) **U.S. Cl.**
USPC **D21/500; D21/504**

(58) **Field of Classification Search**
USPC D21/484, 485, 486, 488, 489, 491, 494, D21/495, 499, 500-504
CPC A63H 33/00; A63H 33/04; A63H 33/042; A63H 33/06; A63H 33/08; A63H 33/10; A63H 33/12; A63H 33/14; A63F 9/08; A63F 9/12; G09B 1/36
See application file for complete search history.

(56) **References Cited**

U.S. PATENT DOCUMENTS

2,461,535 A 2/1949 Erhardt
2,649,803 A * 8/1953 Andre A63H 33/062
446/102

3,005,282 A 10/1961 Christiansen
3,234,683 A 2/1966 Christiansen

(Continued)

Primary Examiner — Cynthia M. Chin

(74) *Attorney, Agent, or Firm* — William Simmons; Simmons Patents

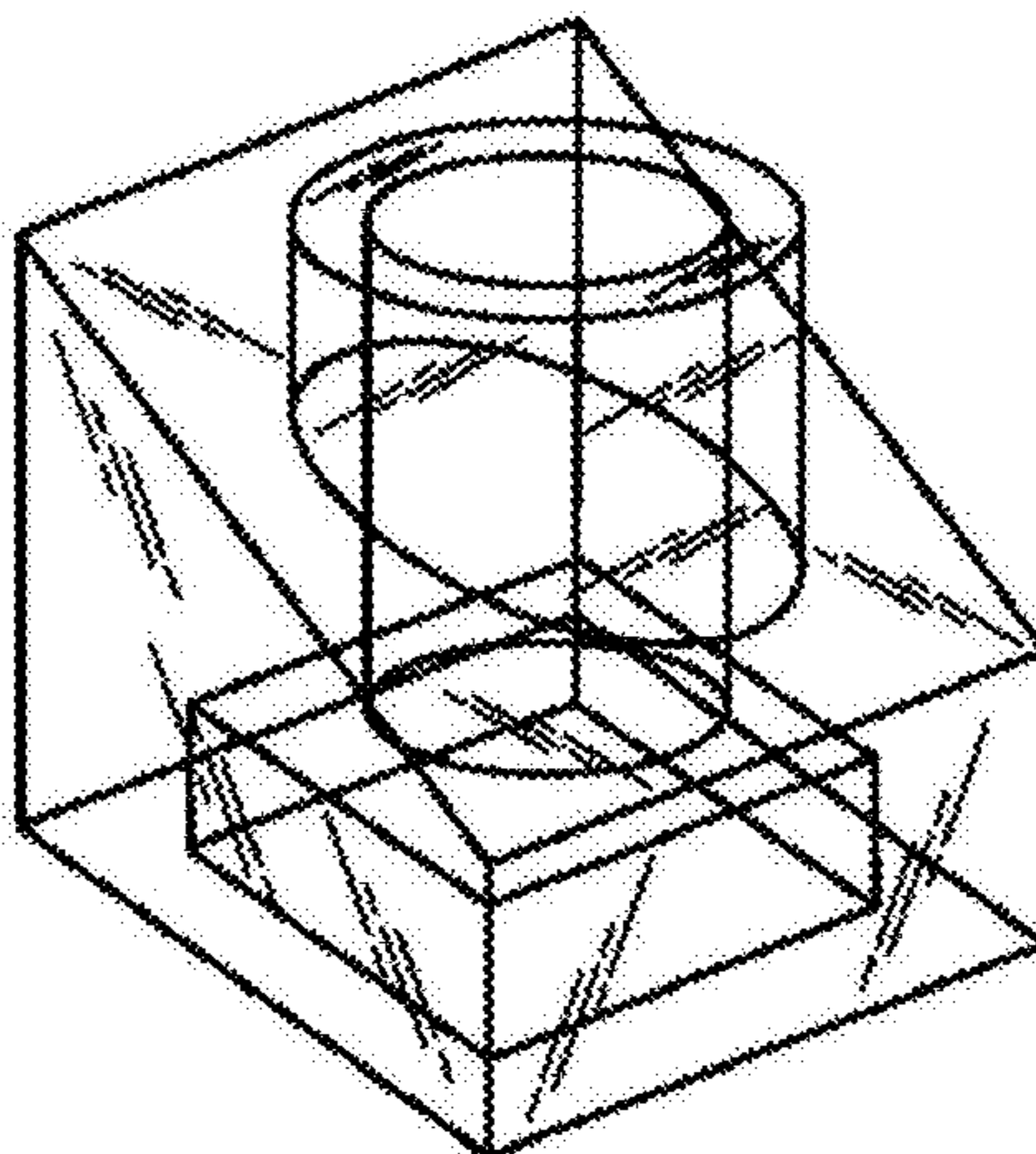
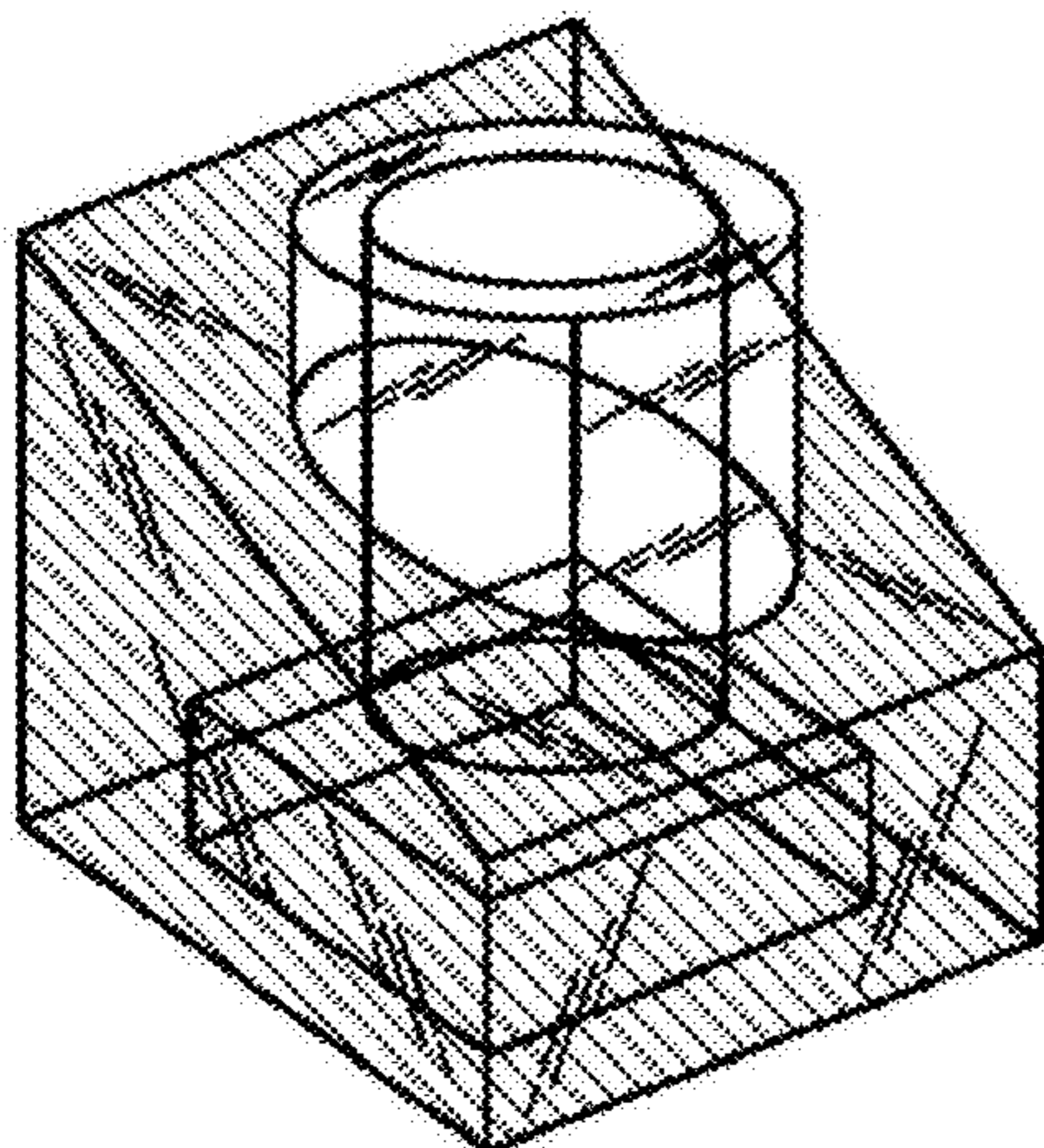
(57) **CLAIM**

The ornamental design for a translucent block, as shown and described.

DESCRIPTION

FIG. 01 is top plan view of a first embodiment thereof; FIG. 02 is bottom plan view thereof; FIG. 03 is a first side elevation view thereof; FIG. 04 is a second side elevation view thereof; FIG. 05 is a first end elevation view thereof; FIG. 06 is a second end elevation view thereof; FIG. 07 is an elevated perspective view thereof; FIG. 08 is top plan view of a second embodiment without contrast thereof; FIG. 09 is bottom plan view thereof; FIG. 10 is a first side elevation view thereof; FIG. 11 is a second side elevation view thereof; FIG. 12 is a first end elevation view thereof; FIG. 13 is a second end elevation view thereof; FIG. 14 is an elevated perspective view thereof; FIG. 15 is top plan view of a third embodiment sloped on the bottom thereof; FIG. 16 is bottom plan view thereof; FIG. 17 is a first side elevation view thereof; FIG. 18 is a second side elevation view thereof; FIG. 19 is a first end elevation view thereof; FIG. 20 is a second end elevation view thereof; FIG. 21 is an enlarged elevated perspective view thereof; FIG. 22 is top plan view of a fourth embodiment without contrast thereof; FIG. 23 is bottom plan view thereof; FIG. 24 is a first side elevation view thereof; FIG. 25 is a second side elevation view thereof; FIG. 26 is a first end elevation view thereof; FIG. 27 is a second end elevation view thereof; and, FIG. 28 is an enlarged elevated perspective view thereof. The blocks in FIGS. 1-7 and 15-21 are shaded with diagonal lines to show a contrast in appearance relative to portions with no diagonal lines.

1 Claim, 5 Drawing Sheets



(56)

References Cited

U.S. PATENT DOCUMENTS

3,412,502	A	11/1968	Riches	
3,487,579	A	1/1970	Brettingen	
4,552,541	A	11/1985	Bolli	
5,471,808	A	12/1995	De Pieri	
5,580,056	A *	12/1996	Clark	A63F 9/12 273/157 R
5,746,638	A *	5/1998	Shiraishi	A63H 33/046 446/131
6,034,821	A *	3/2000	Schenfeld	G02B 6/4249 359/618
6,050,044	A	4/2000	McIntosh	
6,648,715	B2	11/2003	Wiens	
D545,923	S *	7/2007	Lin	D21/505
D546,899	S *	7/2007	Sorensen	D21/484
D573,203	S *	7/2008	Chun	D21/505
D617,396	S	6/2010	Nielsen	
D680,176	S *	4/2013	Chin	D21/495
D689,559	S *	9/2013	Klitsch	D21/505
D695,851	S	12/2013	Holm	
D758,502	S *	6/2016	Sorensen	D21/505
D786,985	S *	5/2017	Ramiere	D21/505
D789,459	S *	6/2017	Ramiere	D21/505

* cited by examiner

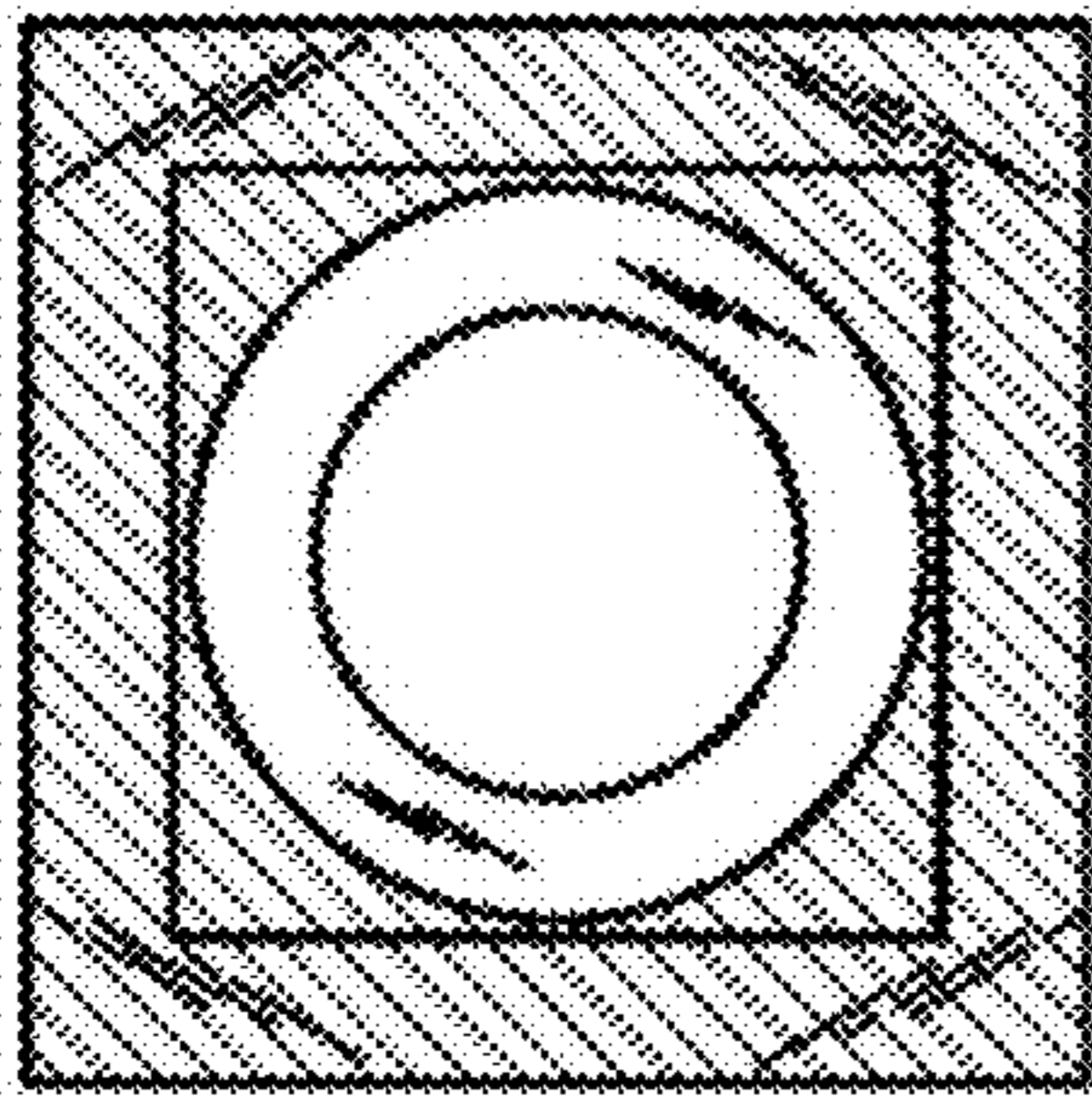


Fig. 01

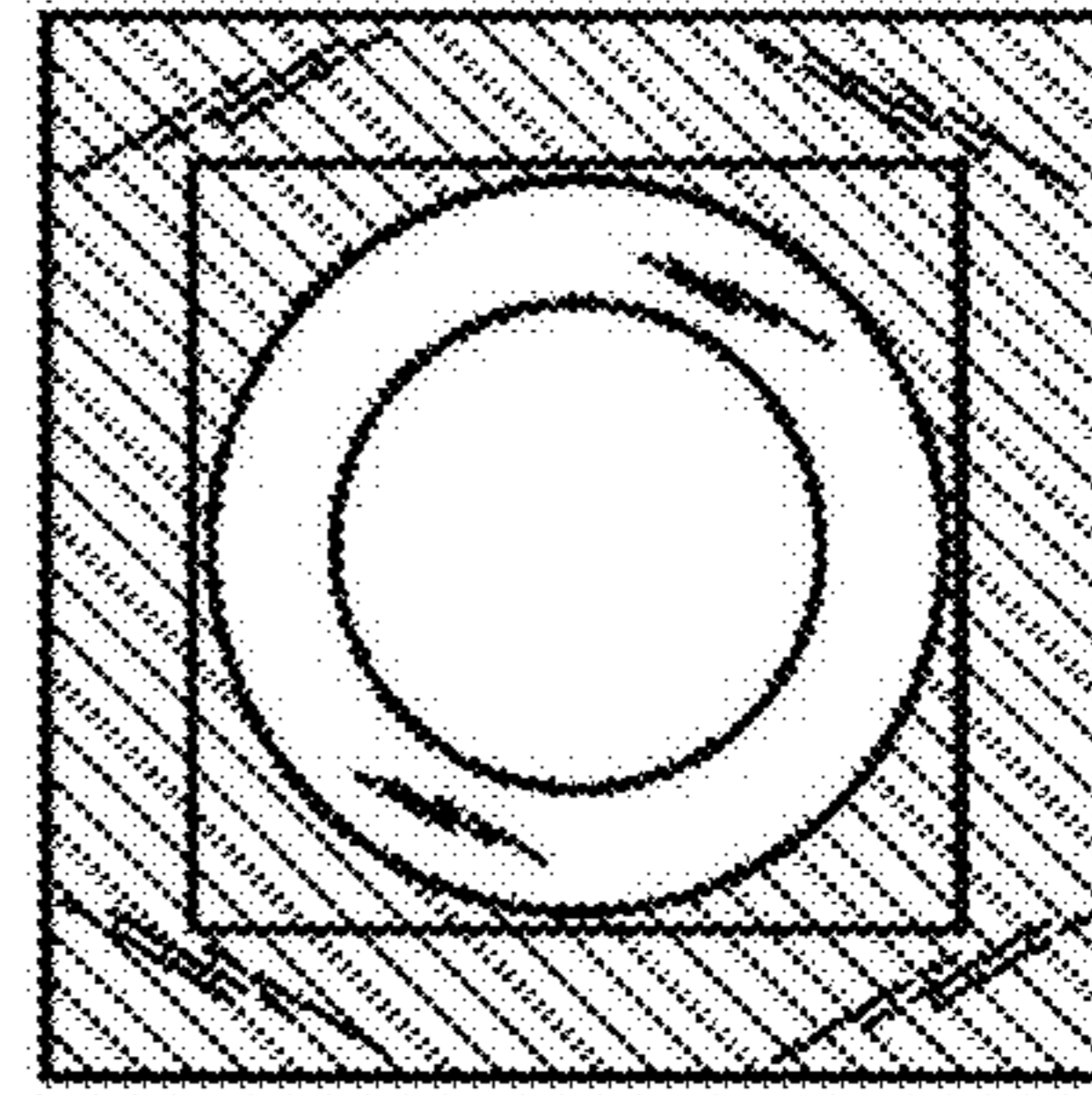


Fig. 02

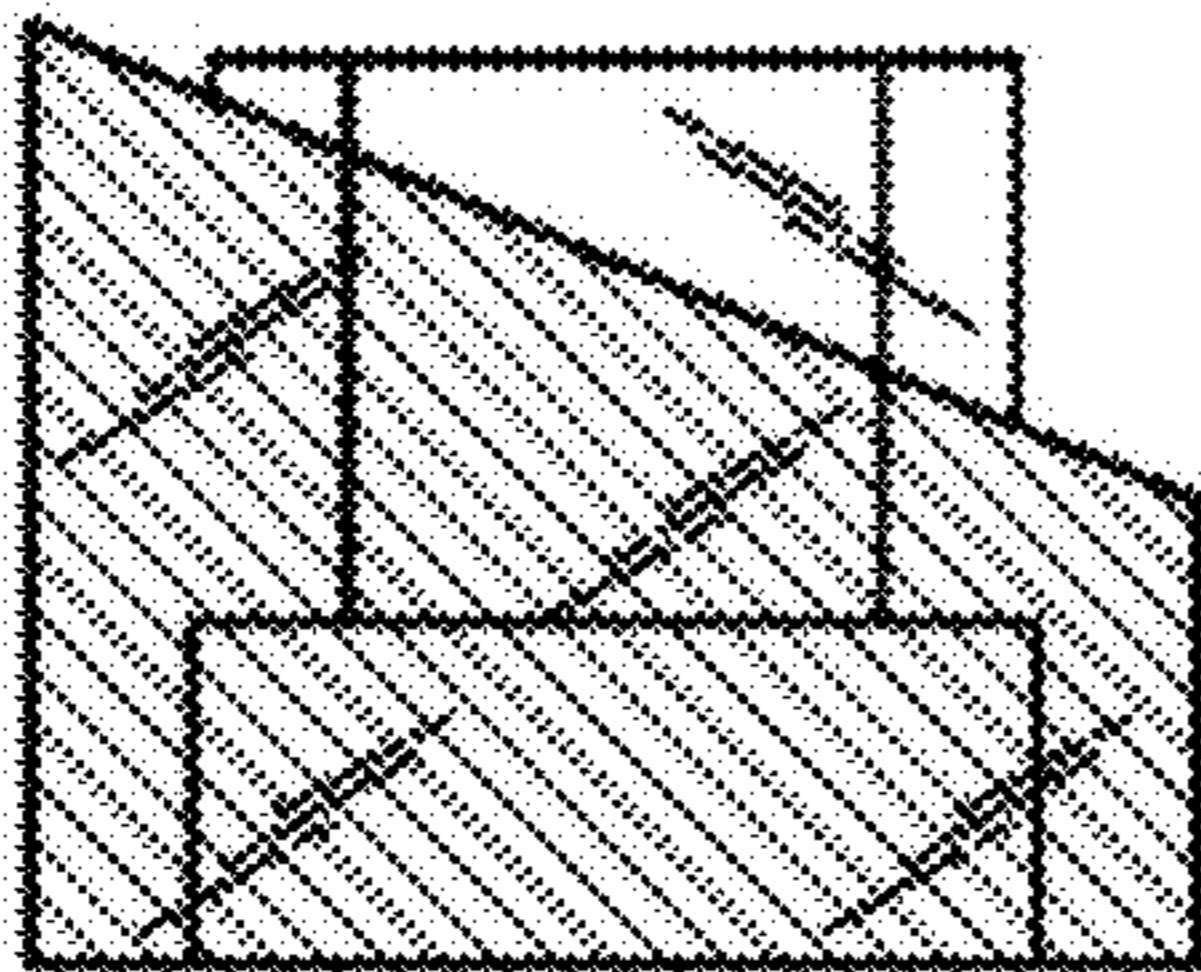


Fig. 03

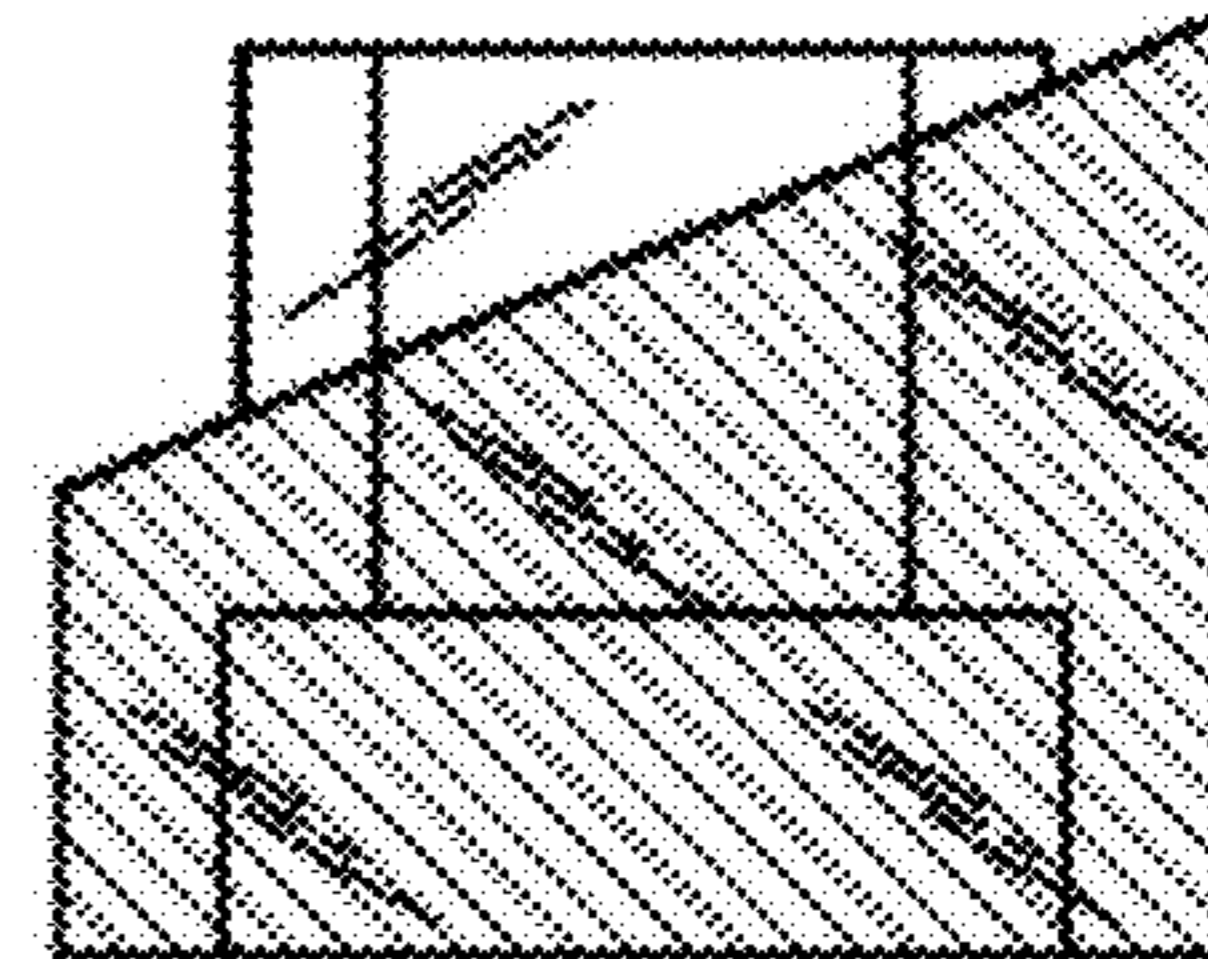


Fig. 04

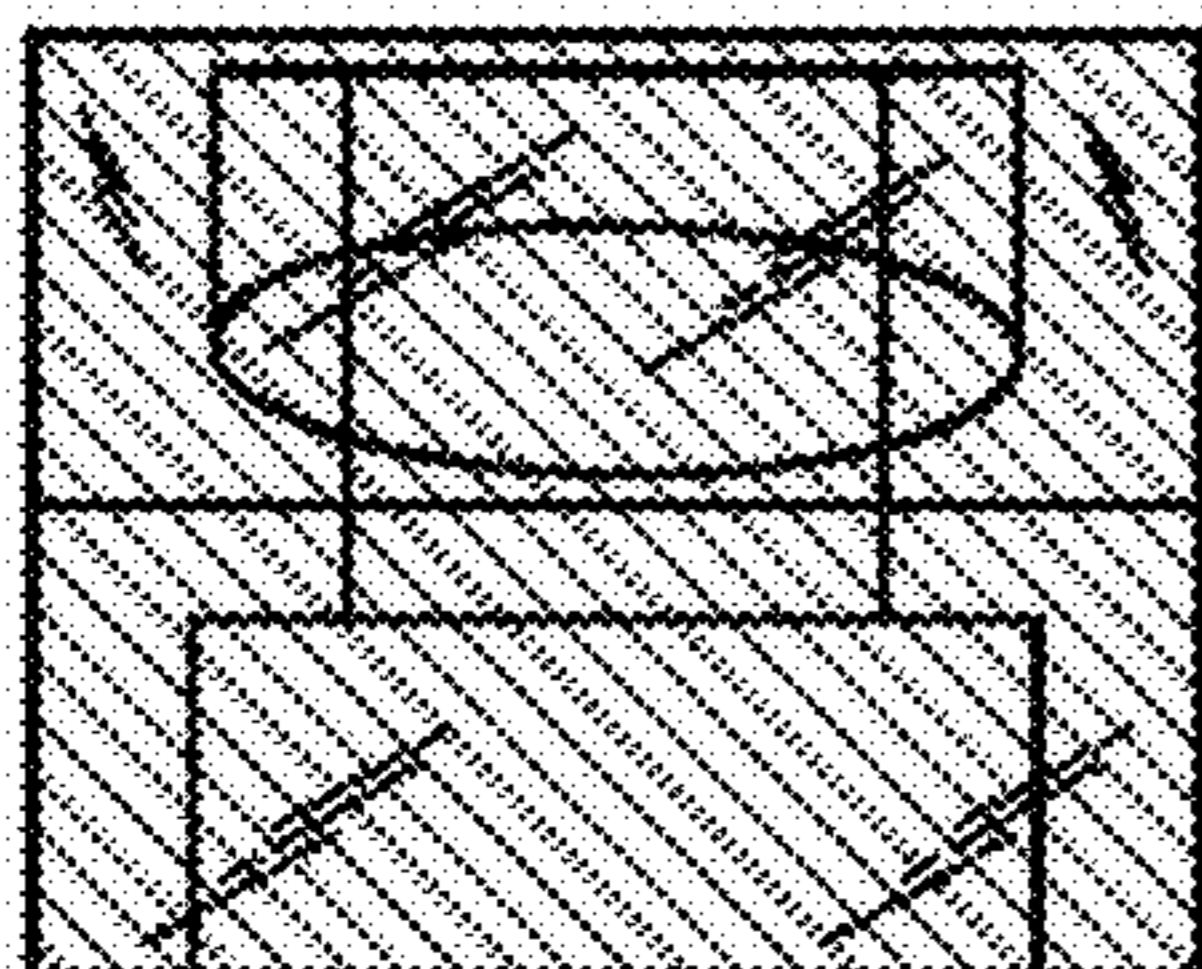


Fig. 05

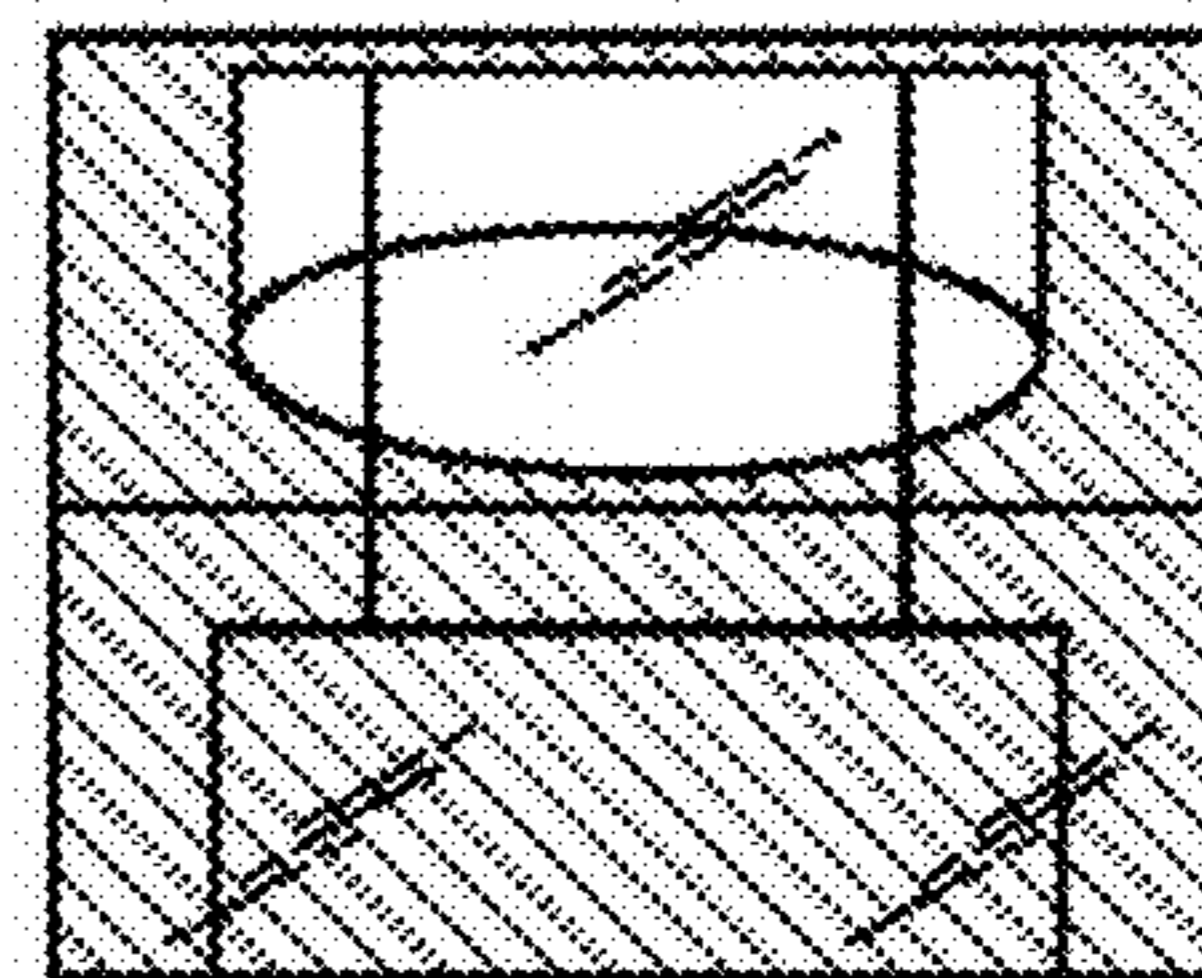


Fig. 06

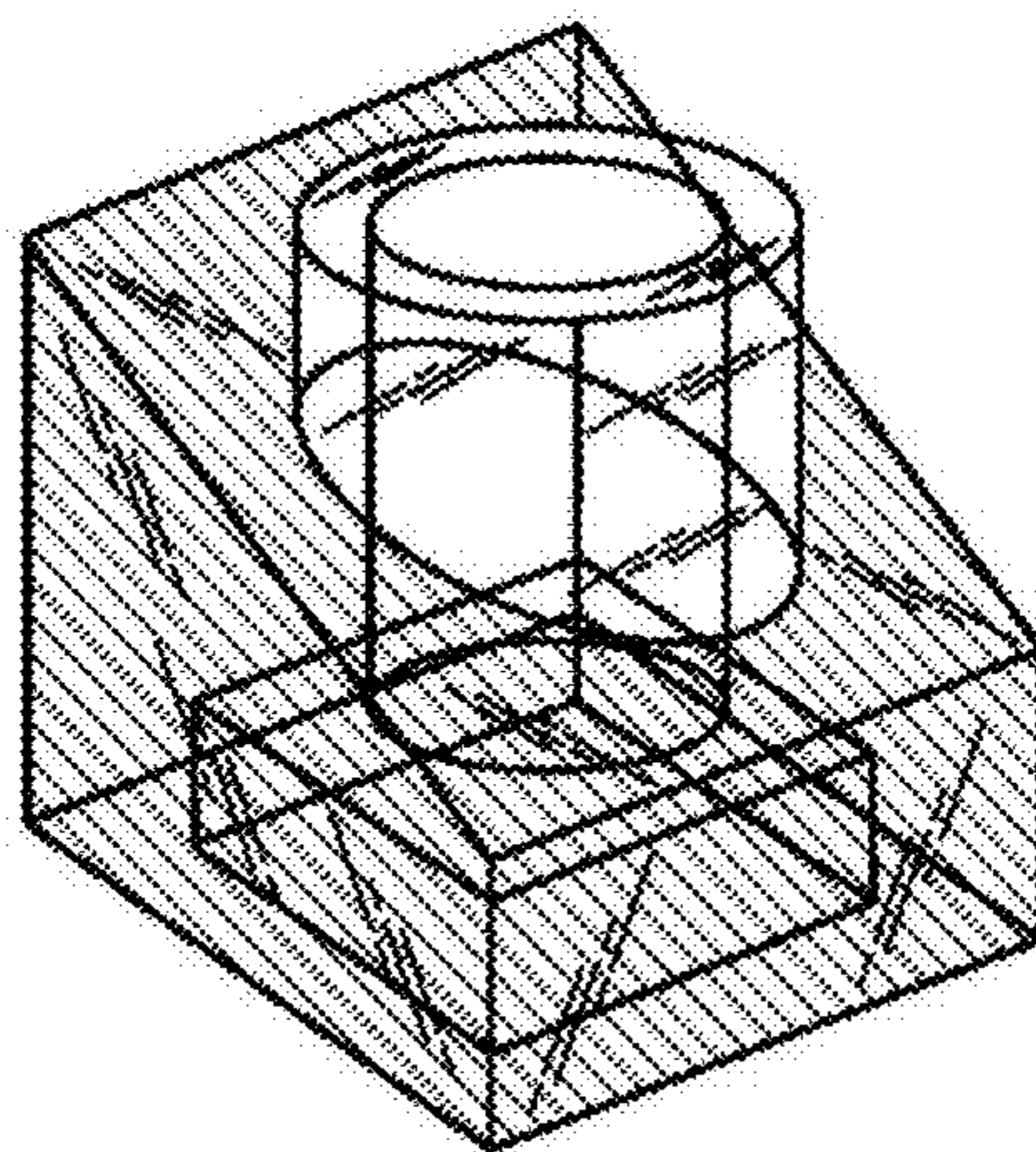


Fig. 07

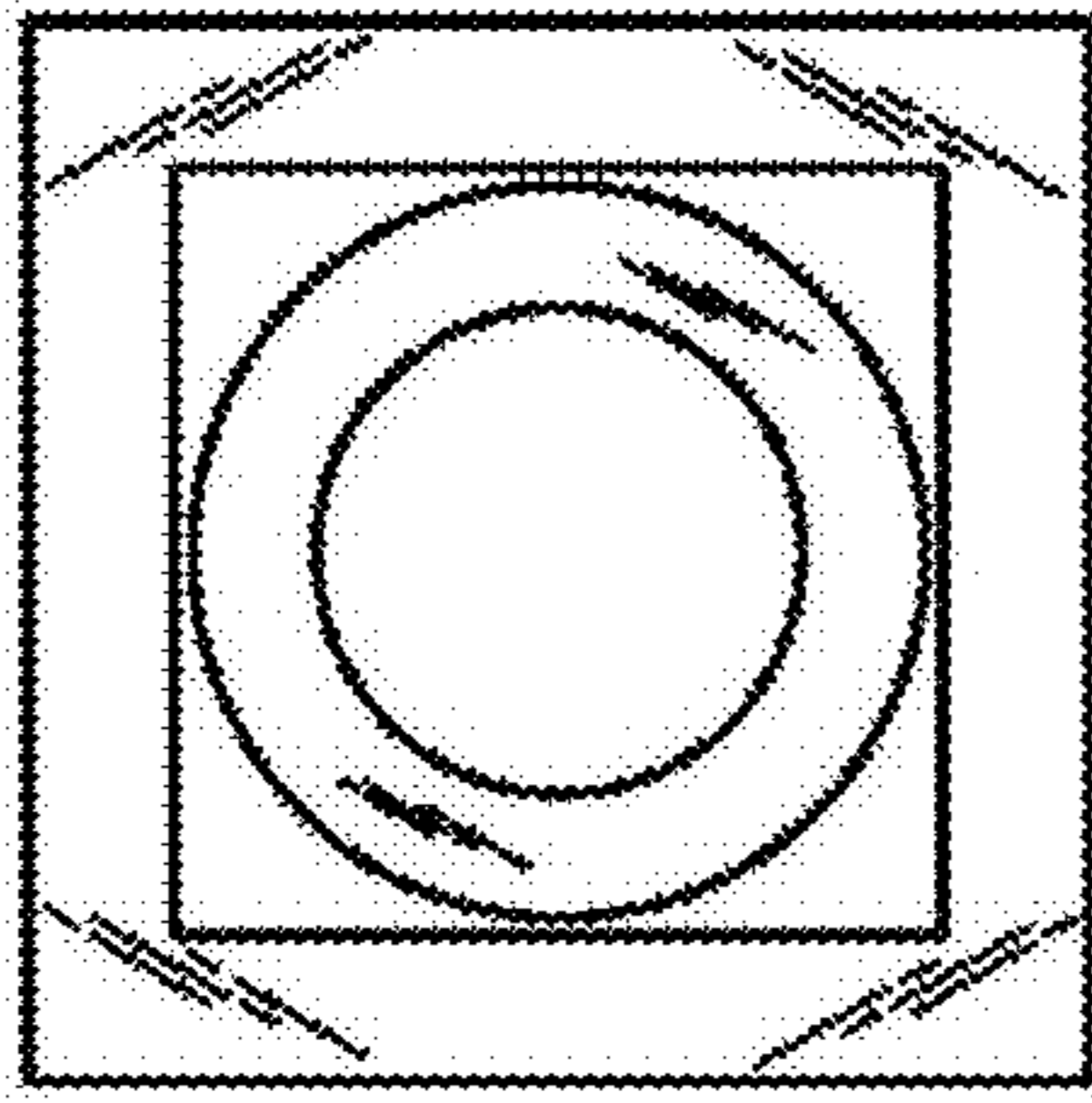


Fig. 08

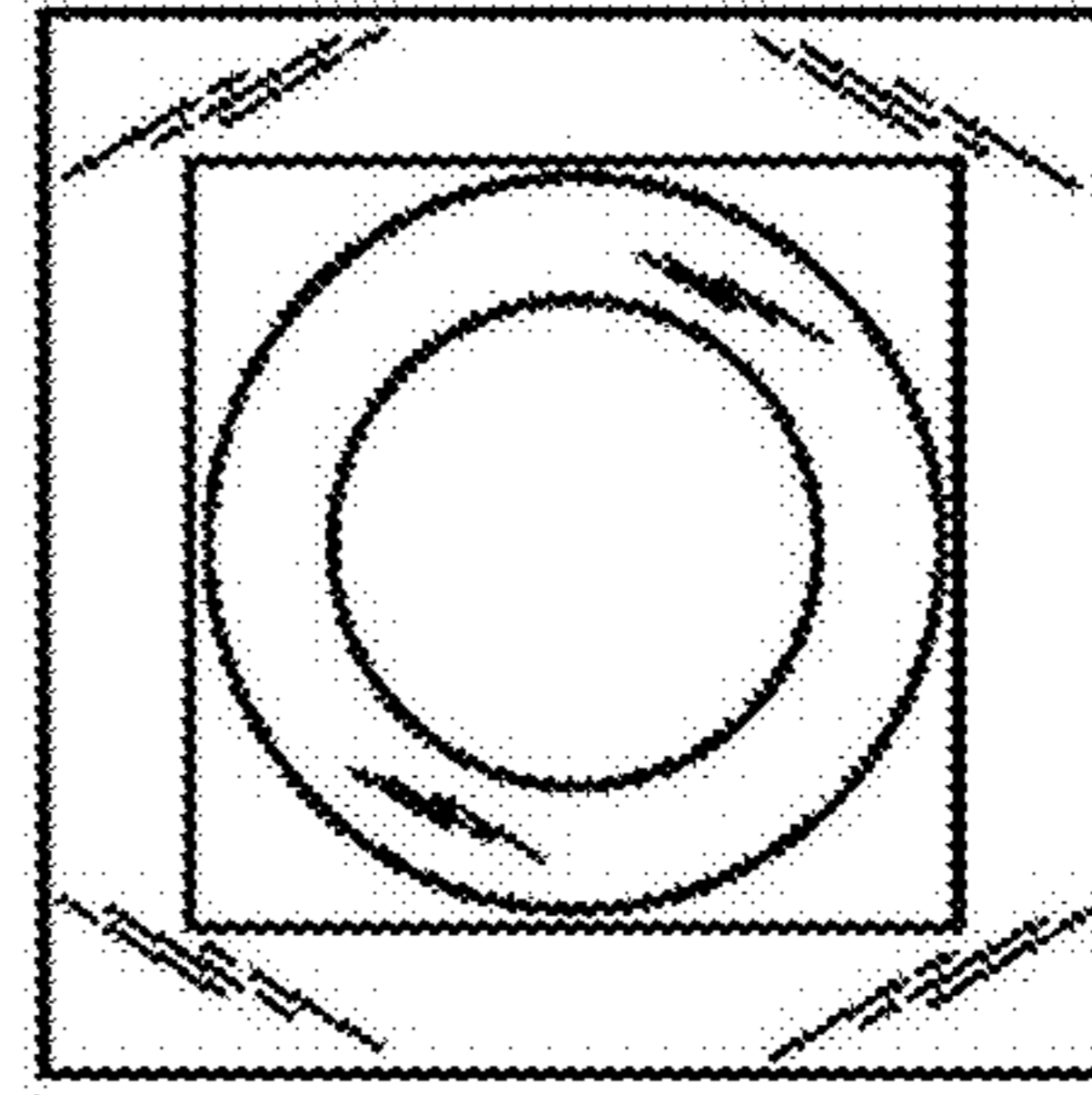


Fig. 09

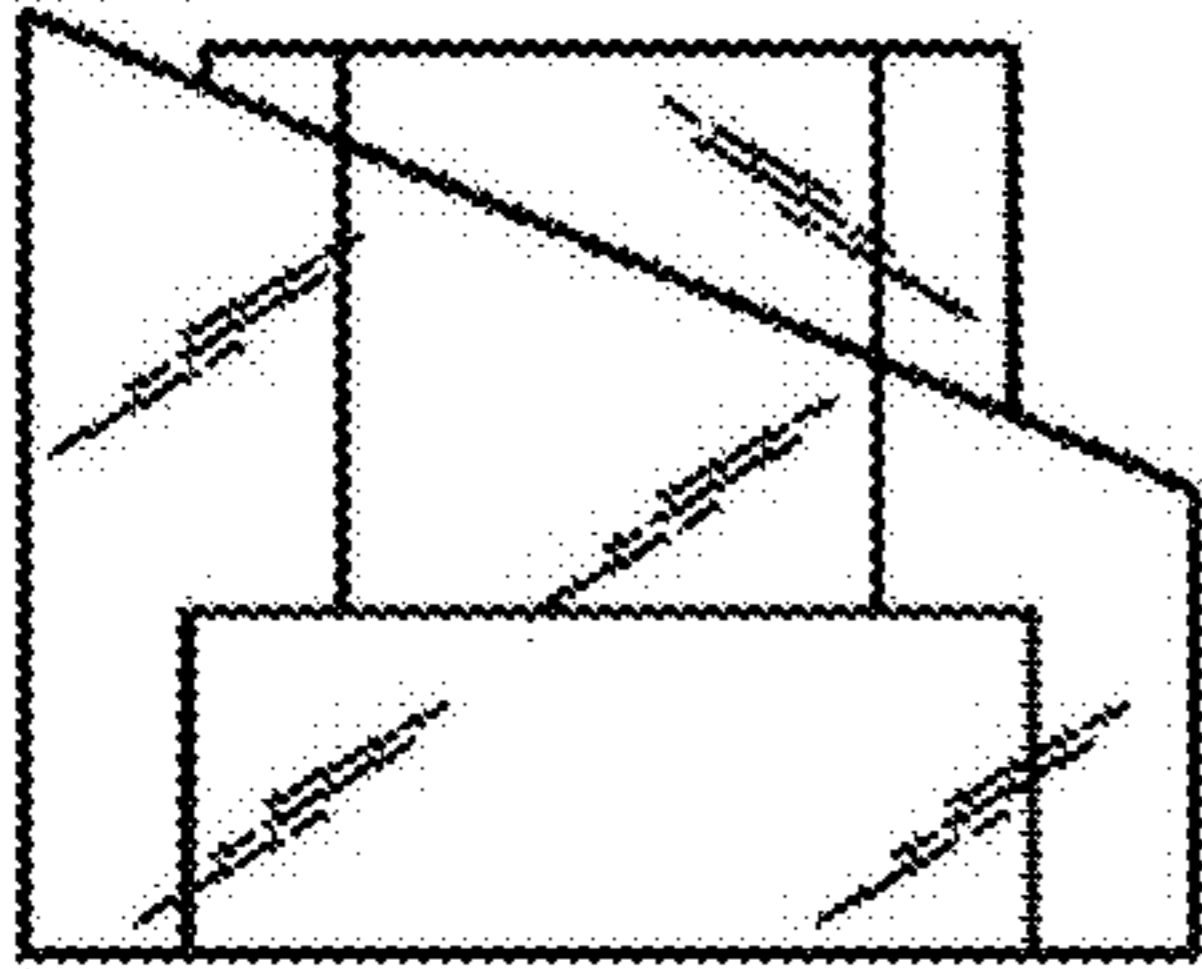


Fig. 10

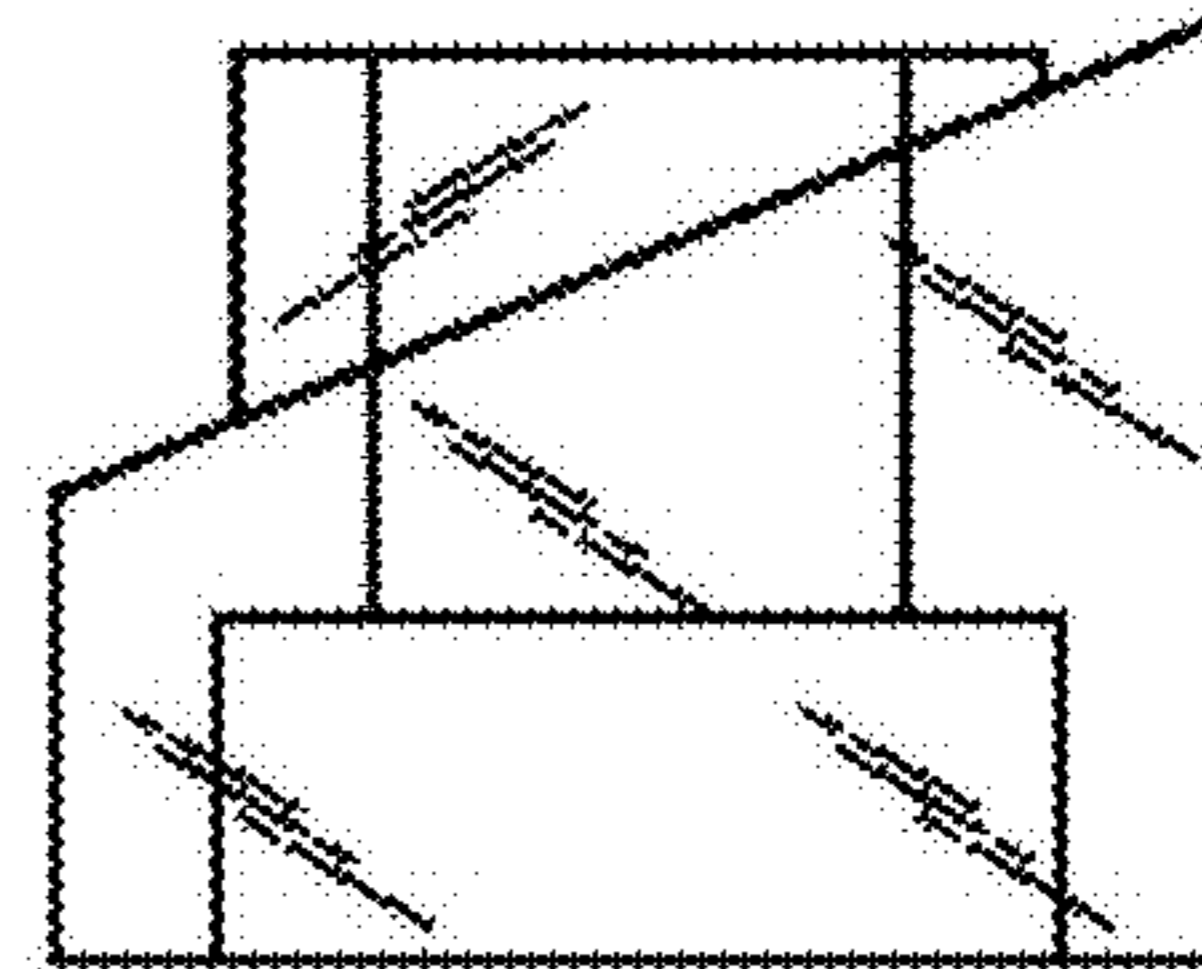


Fig. 11

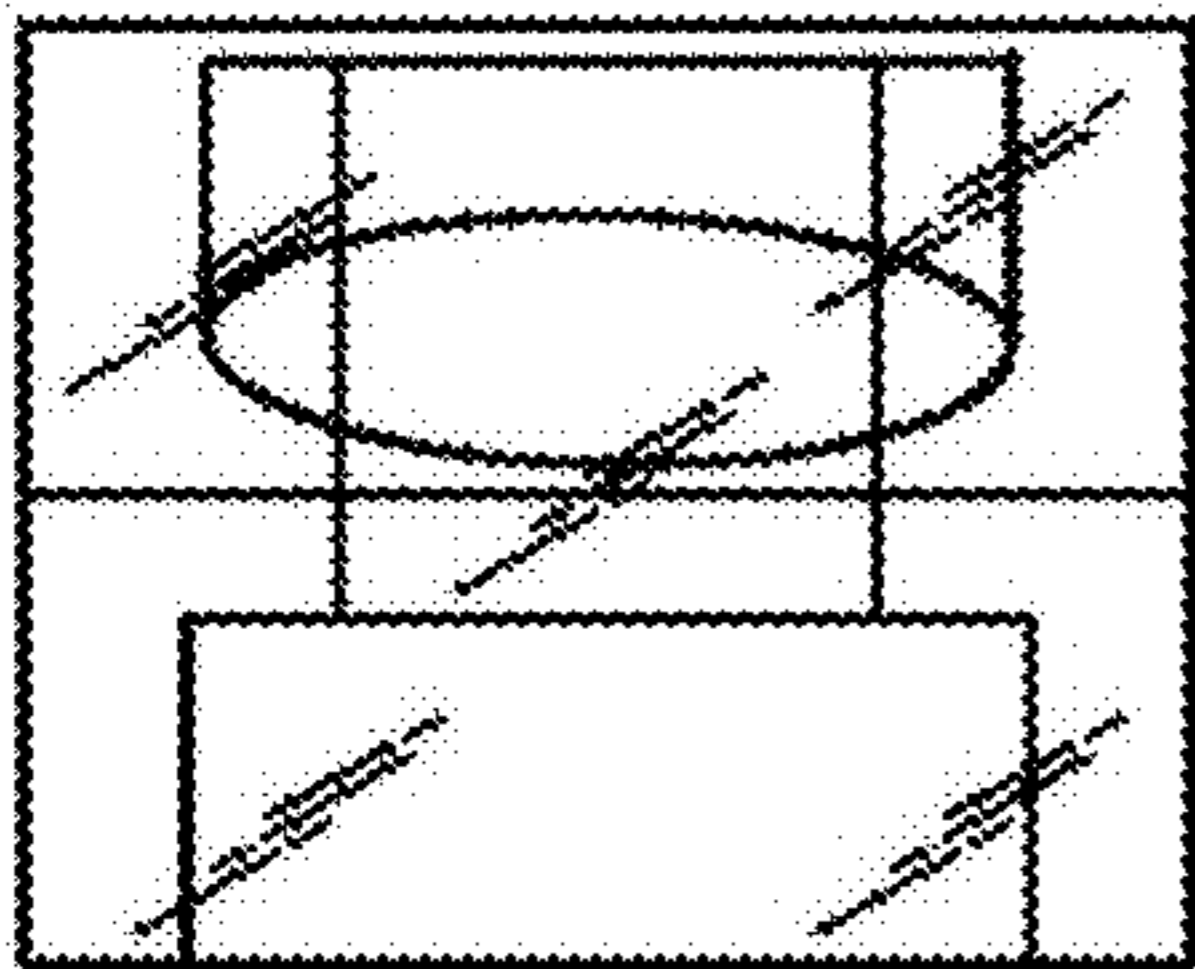


Fig. 12

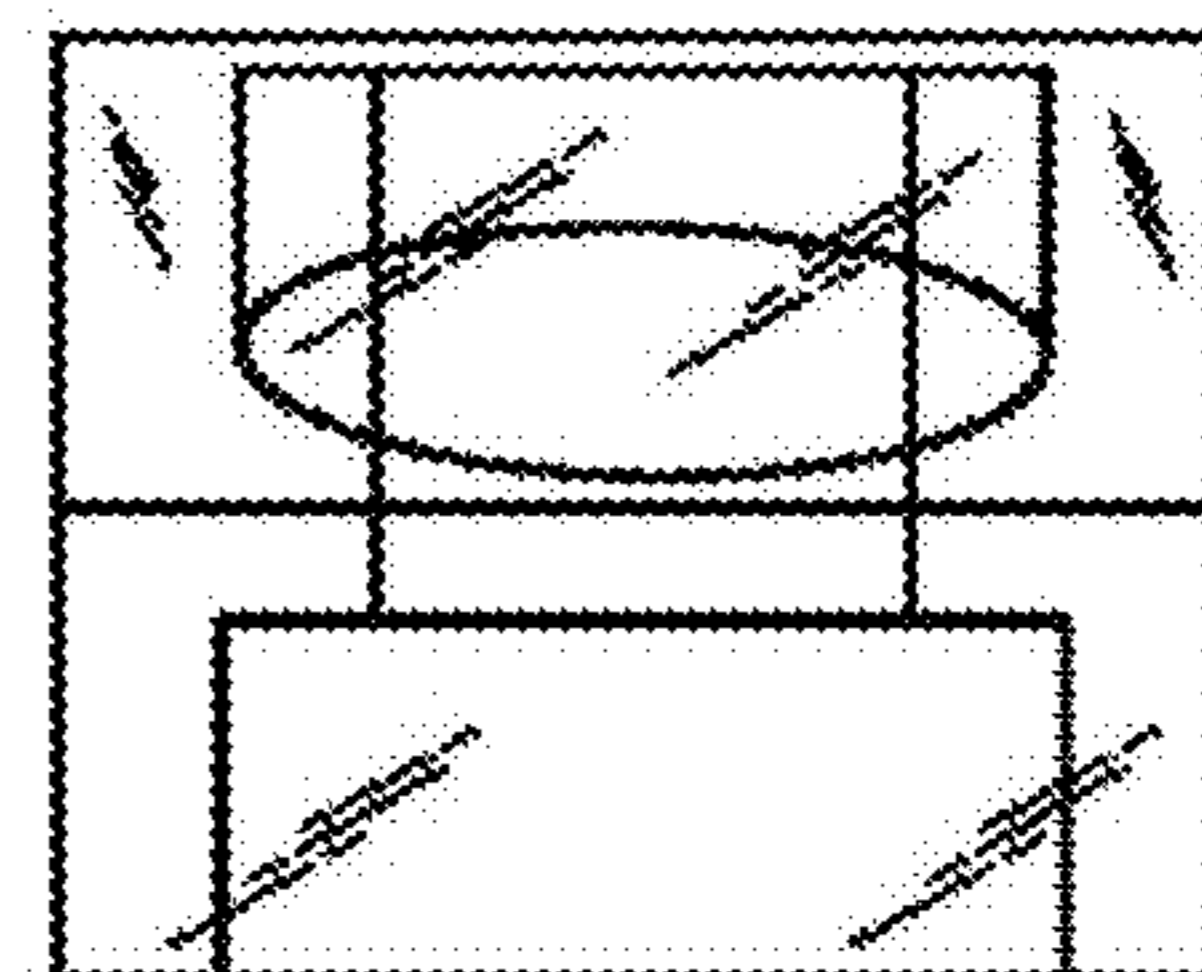


Fig. 13

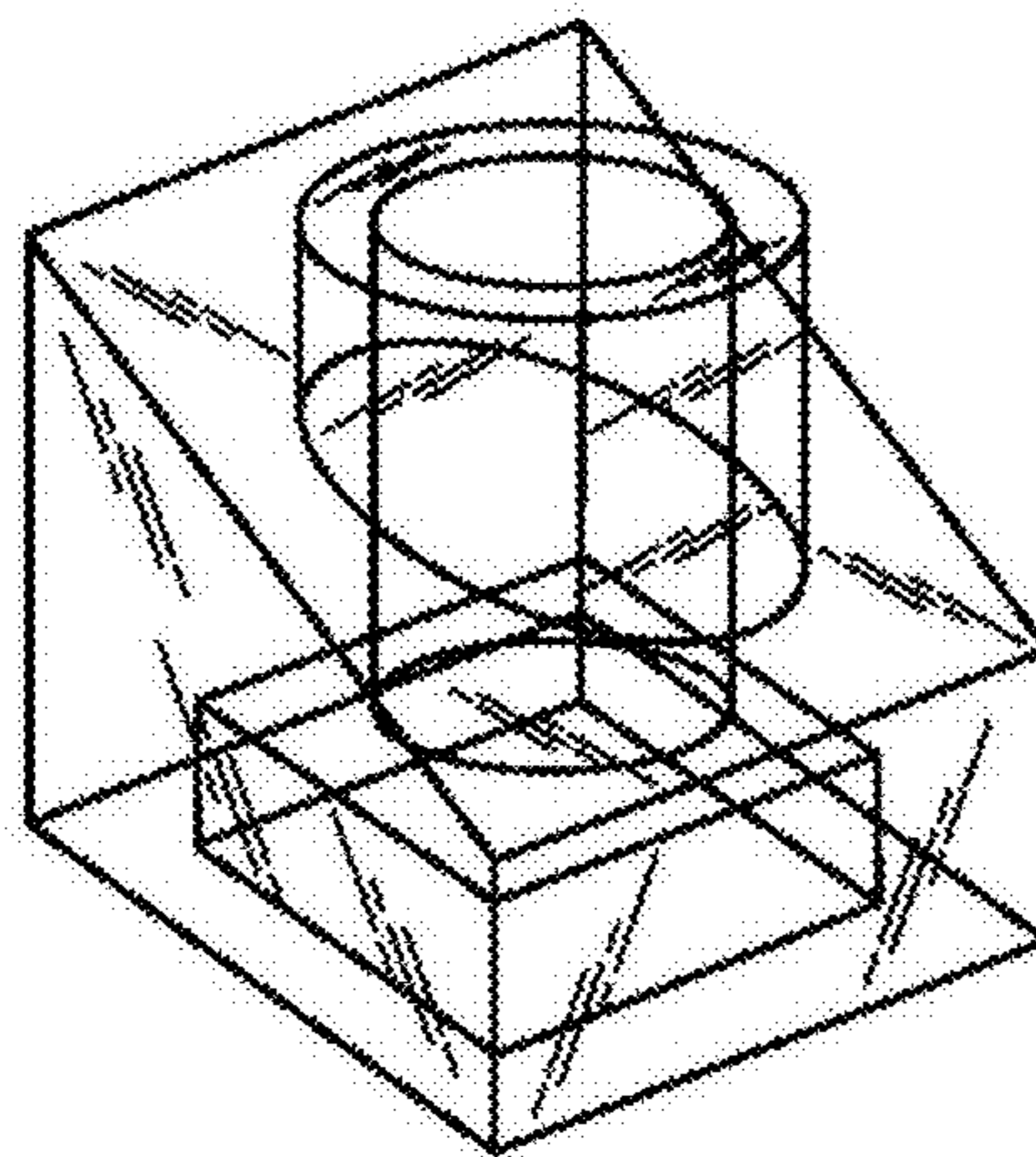


Fig. 14

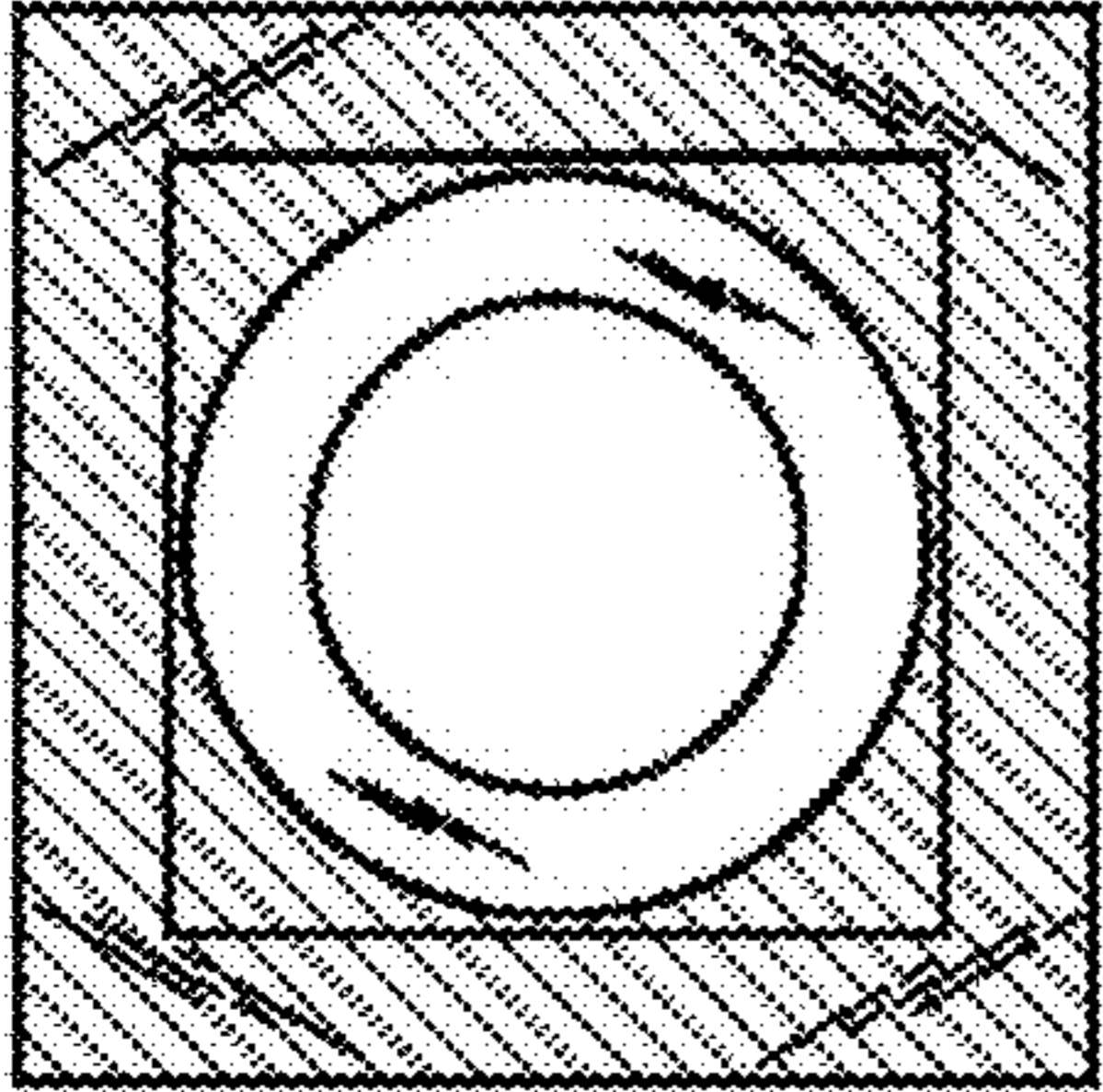


Fig. 15

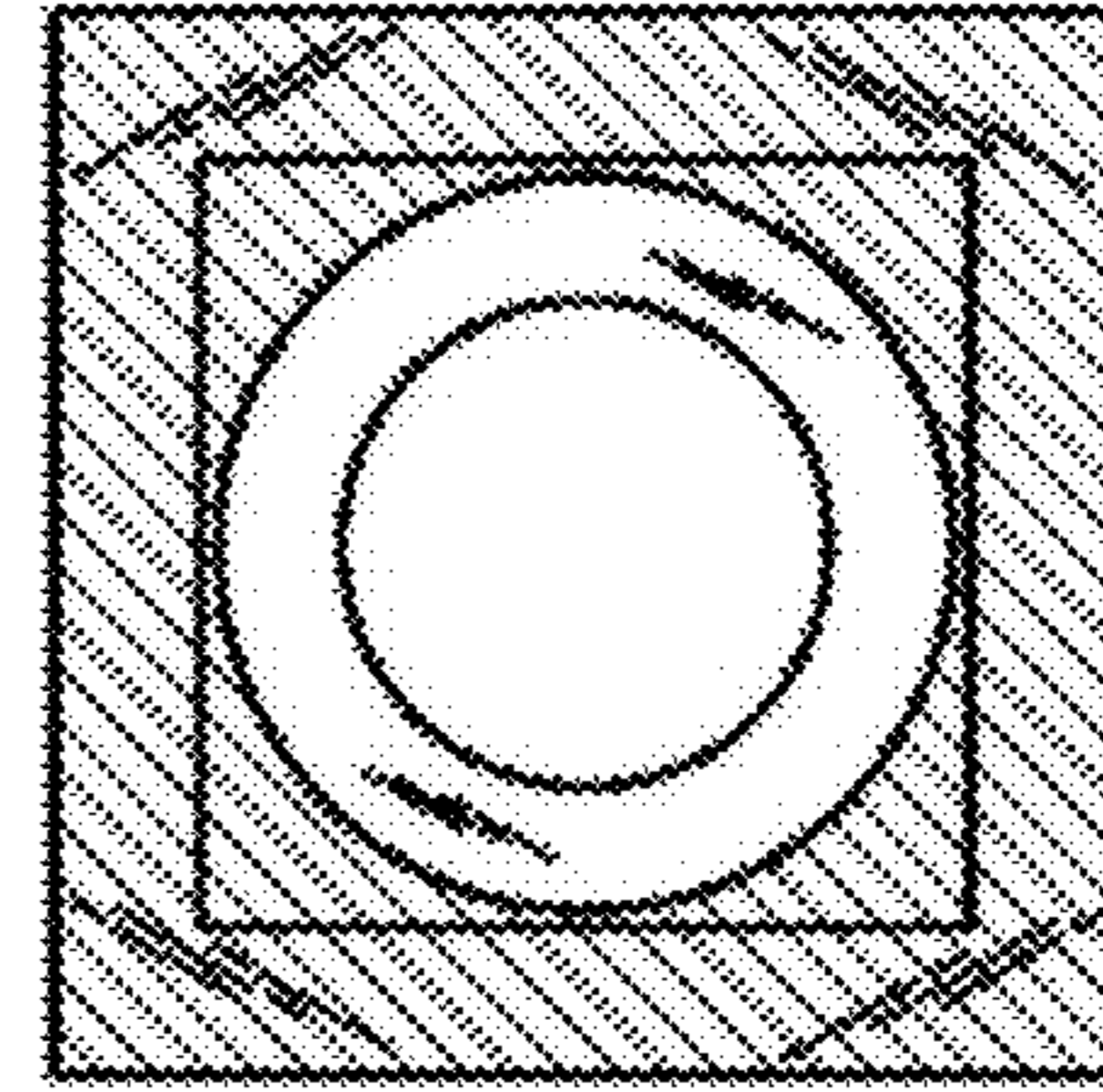


Fig. 16

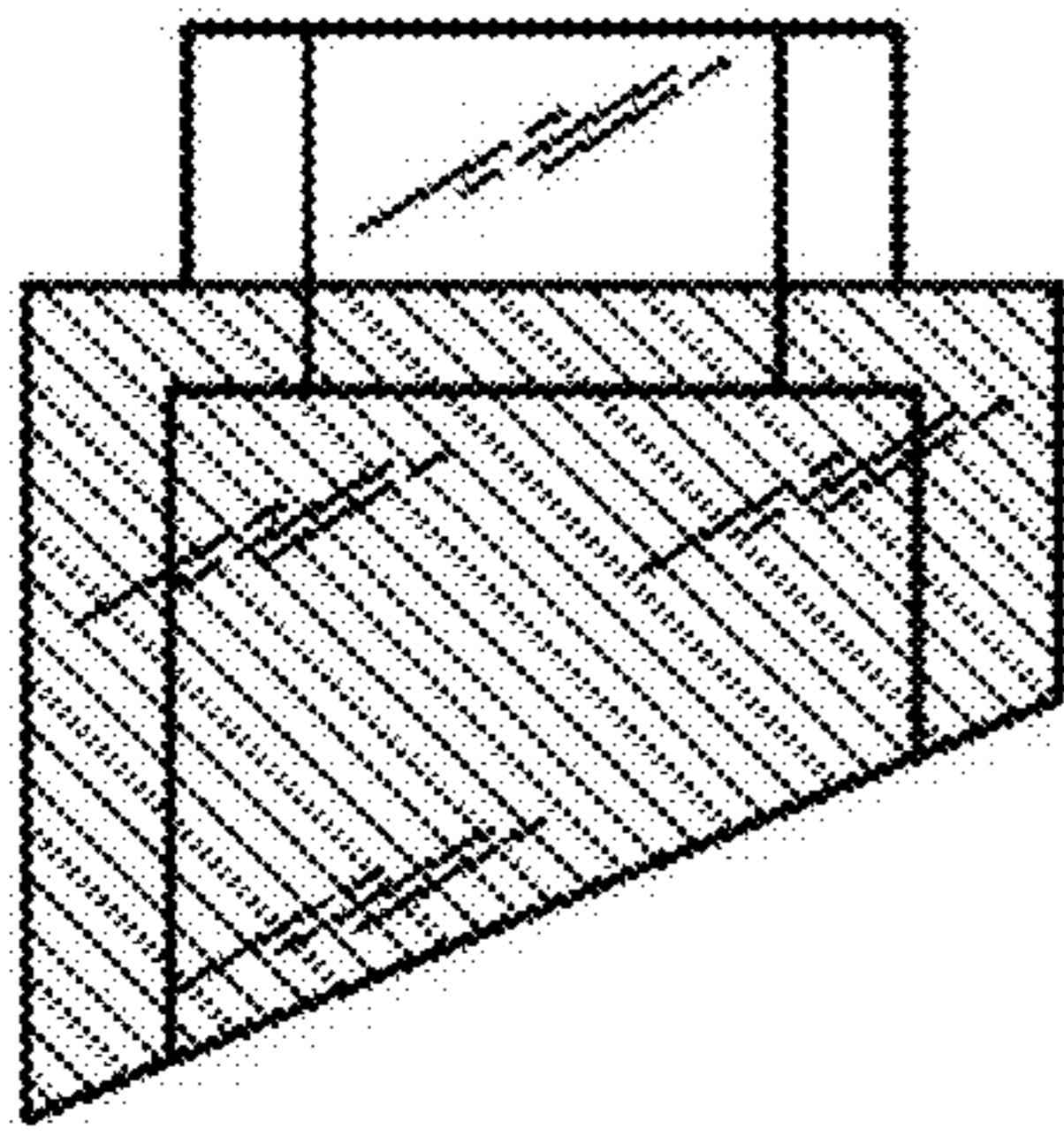


Fig. 17

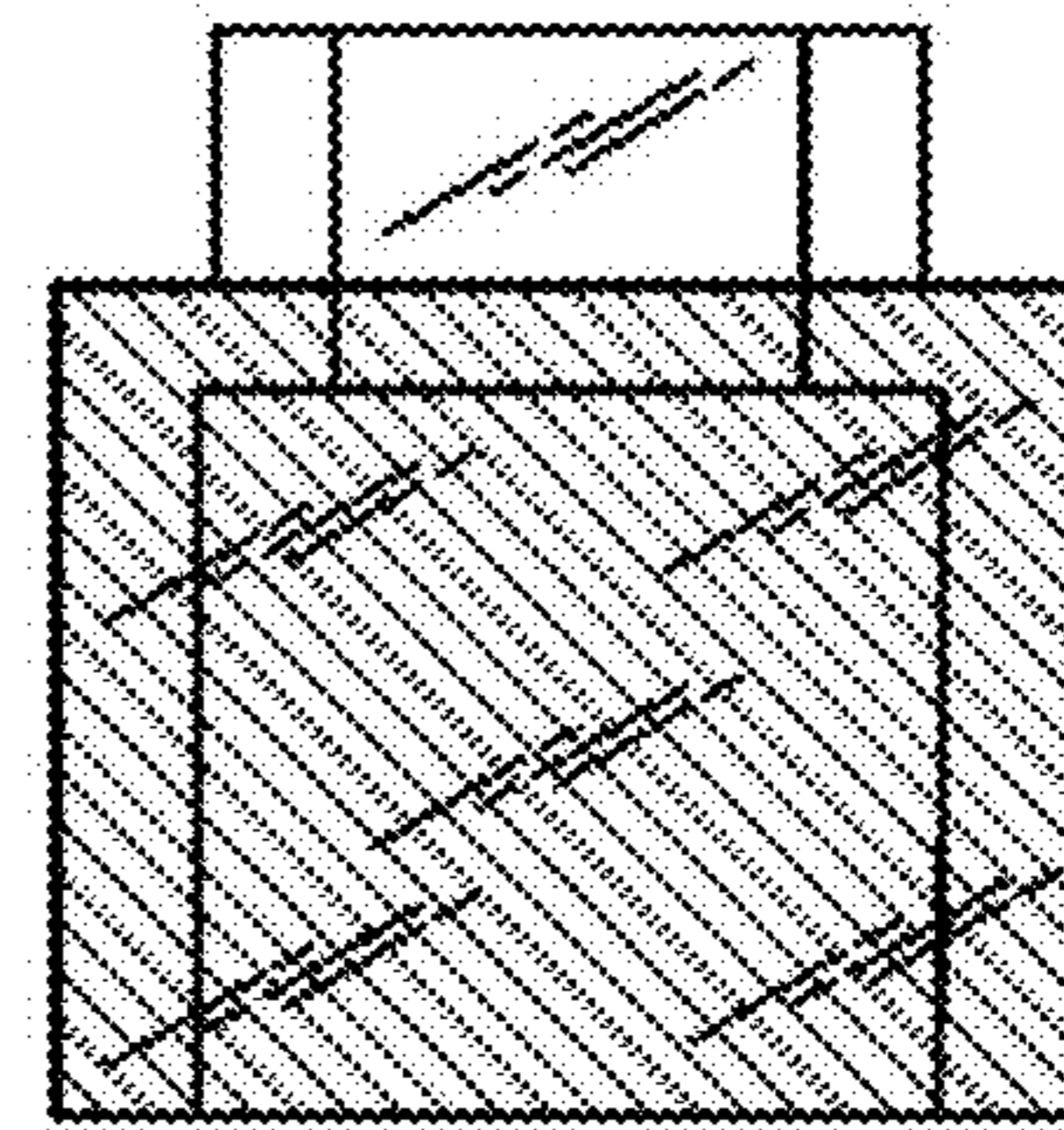


Fig. 18

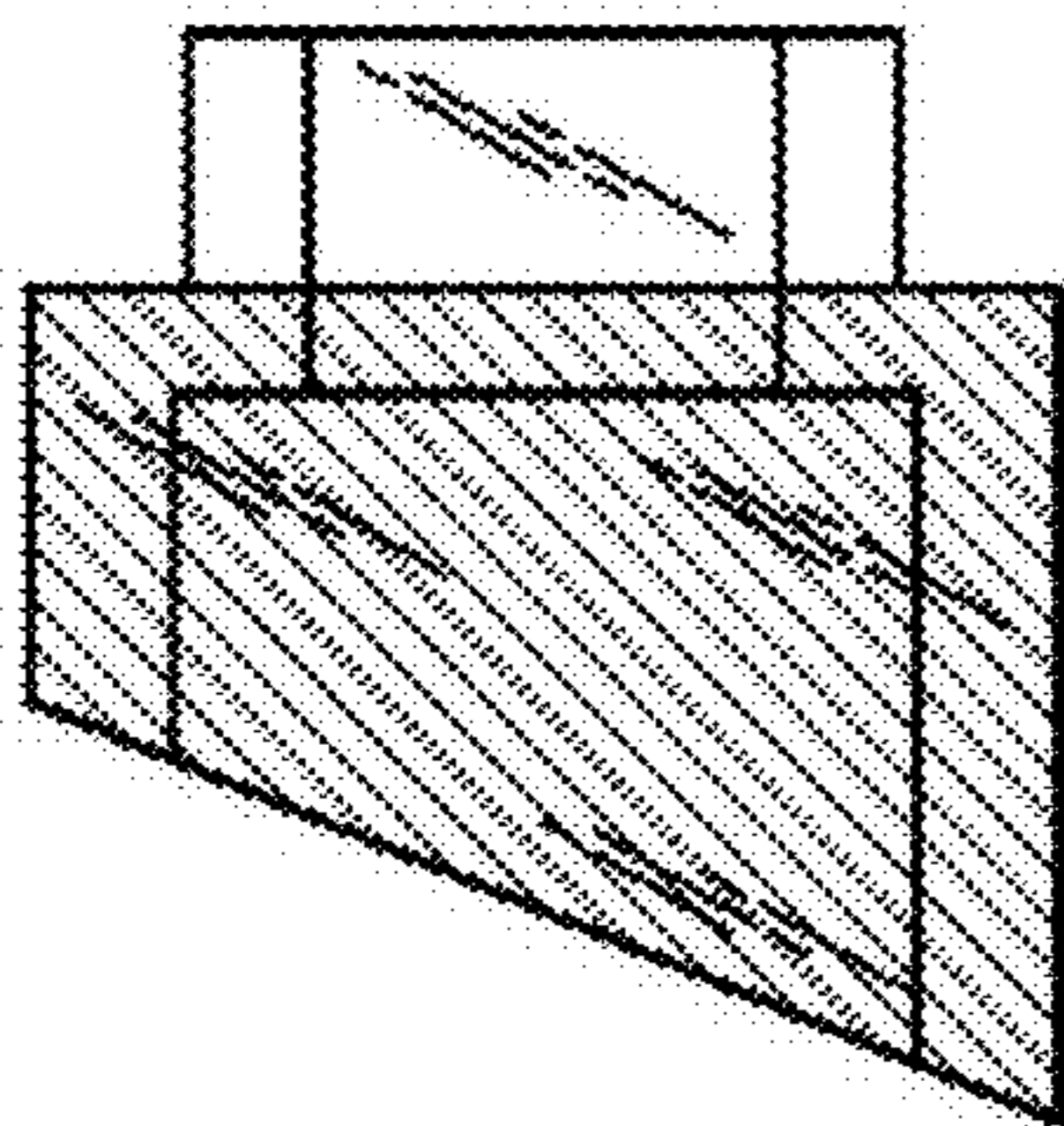


Fig. 19

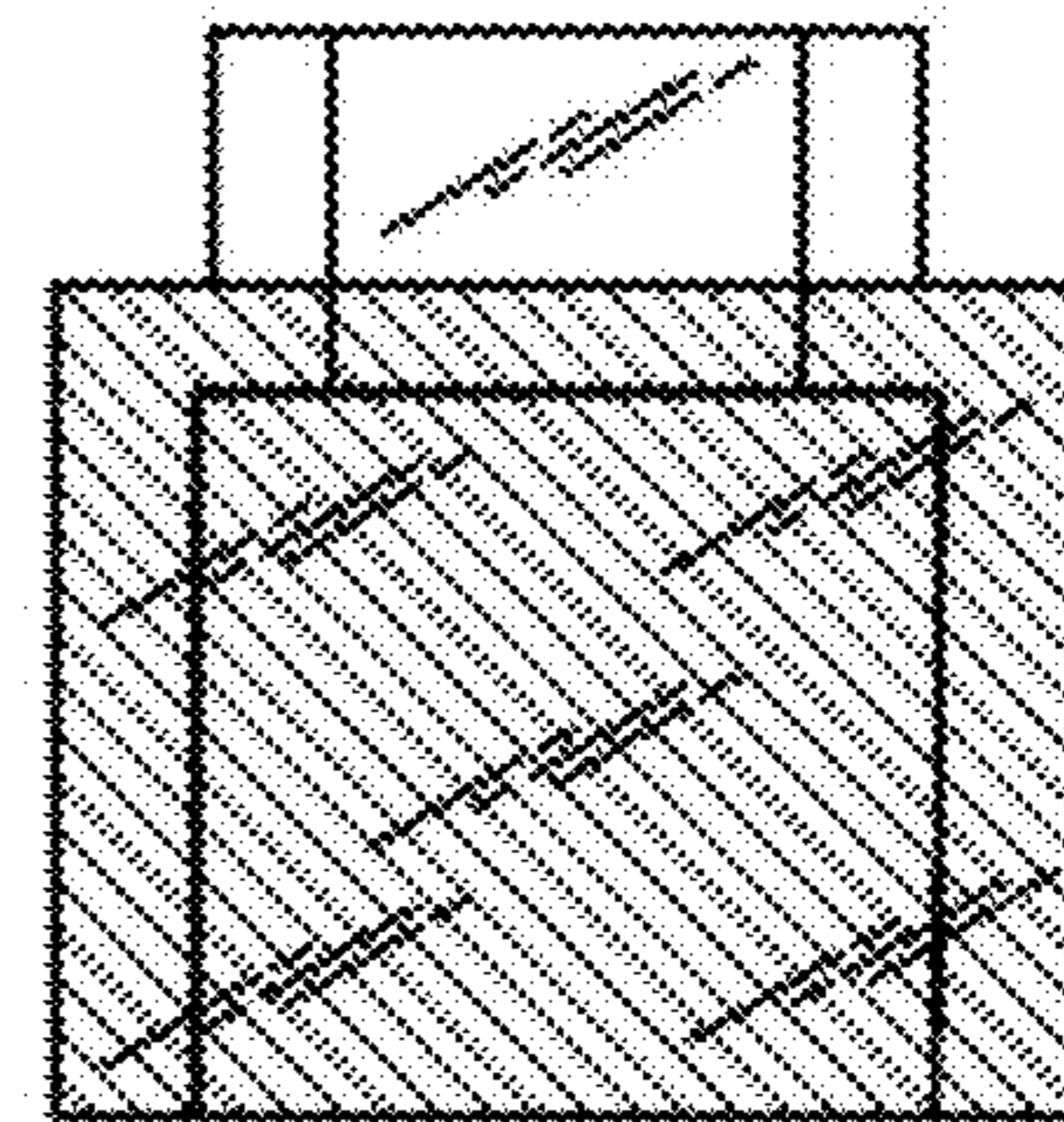


Fig. 20

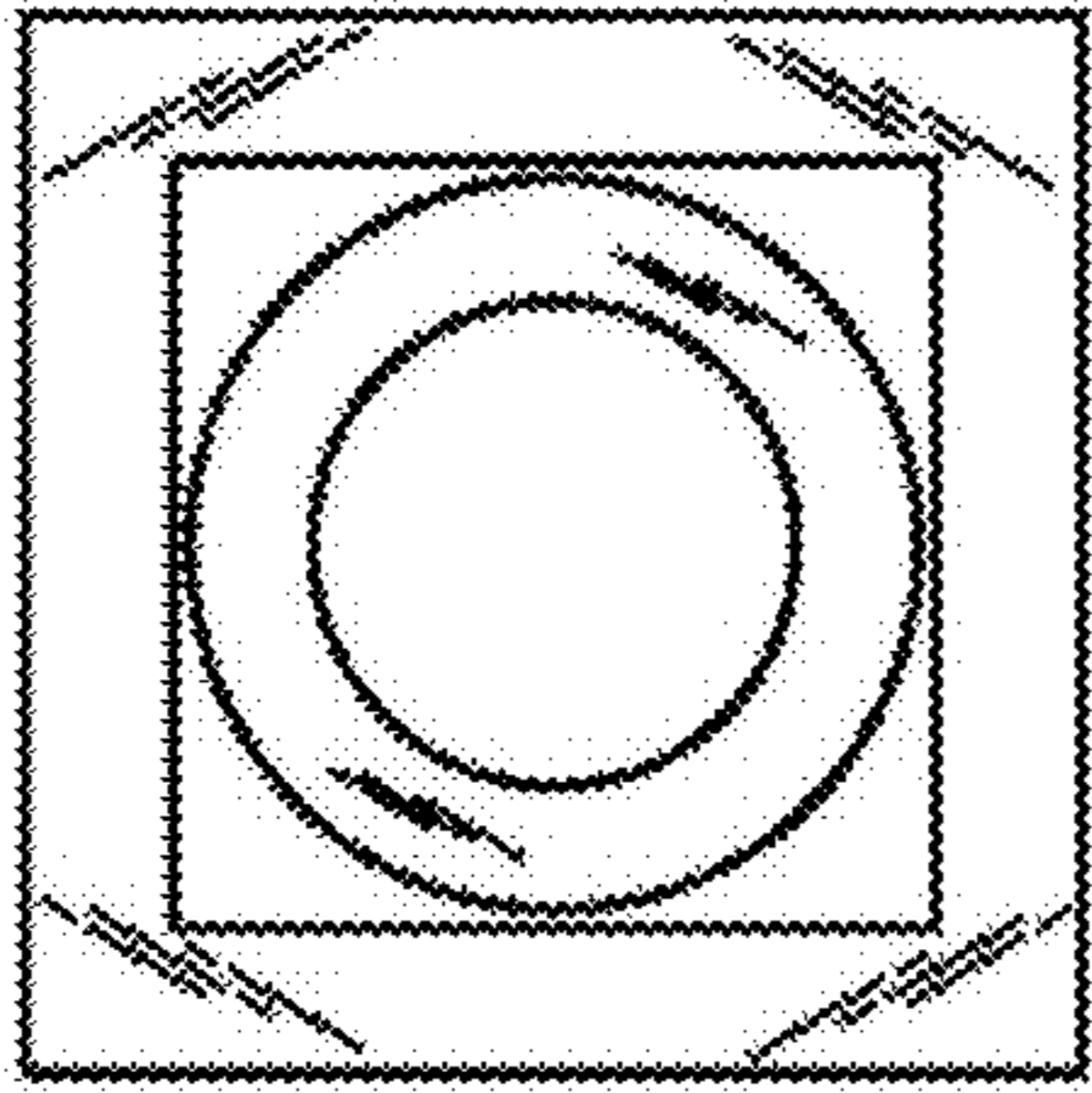


Fig. 22

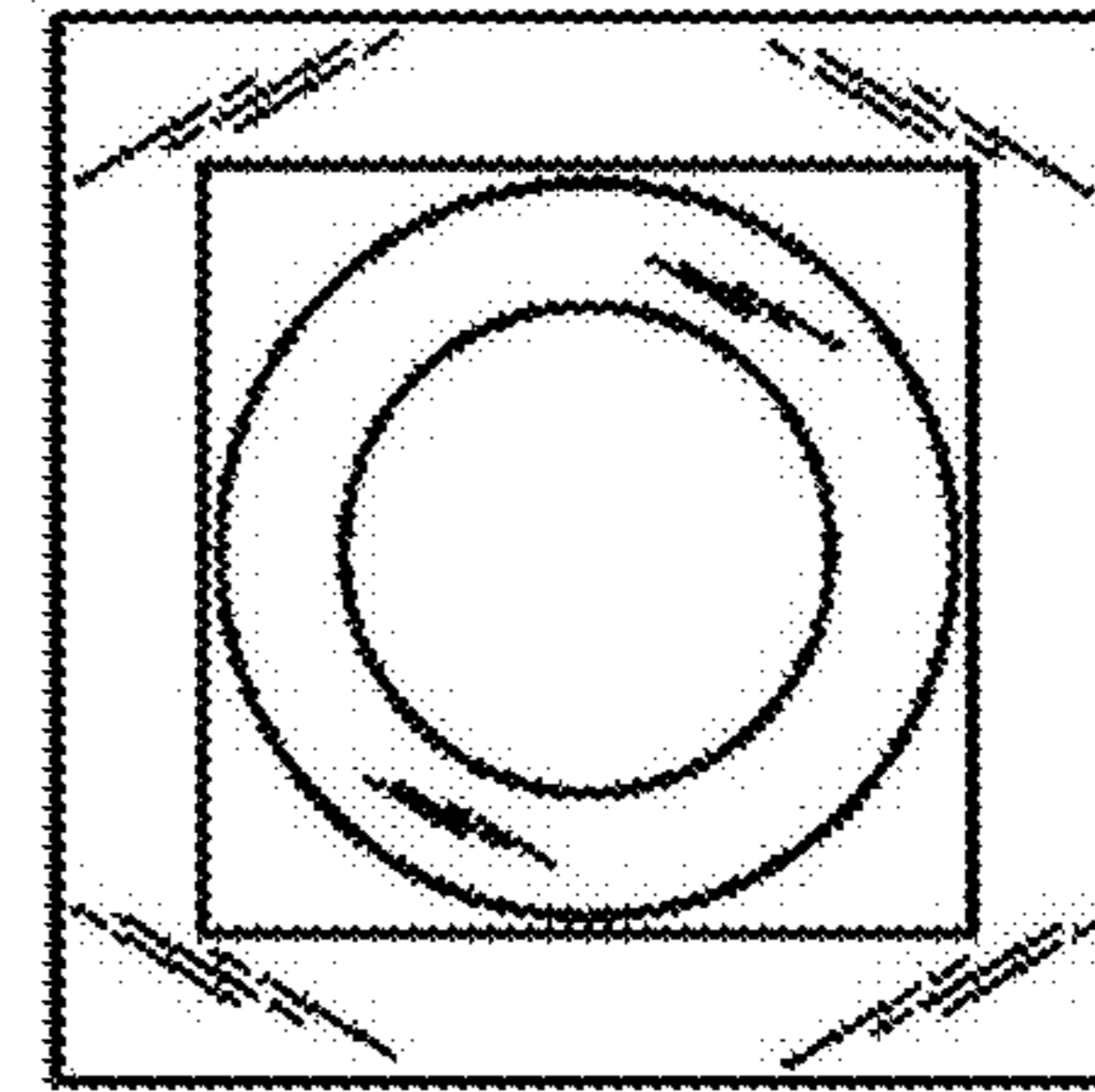


Fig. 23

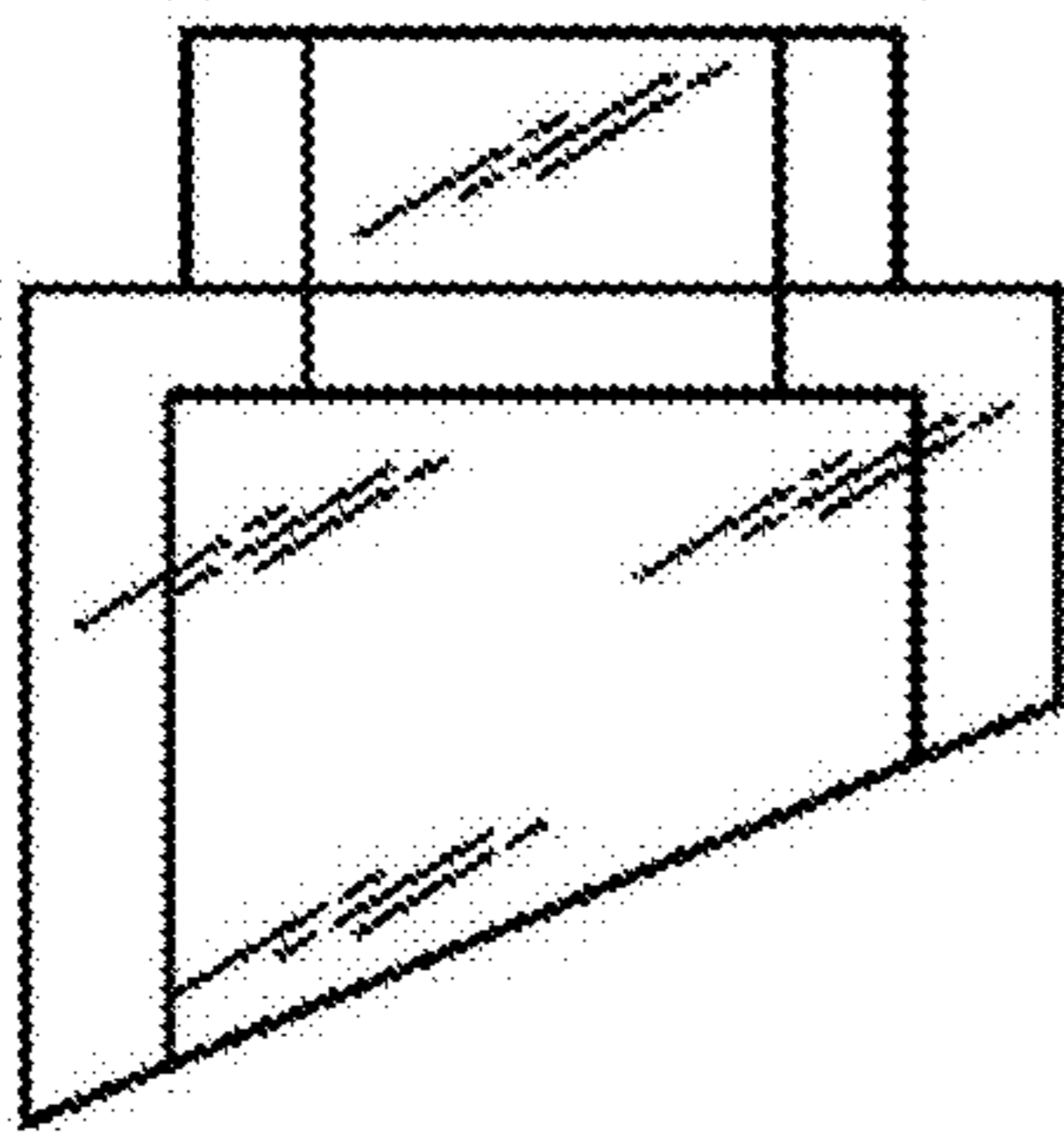


Fig. 24

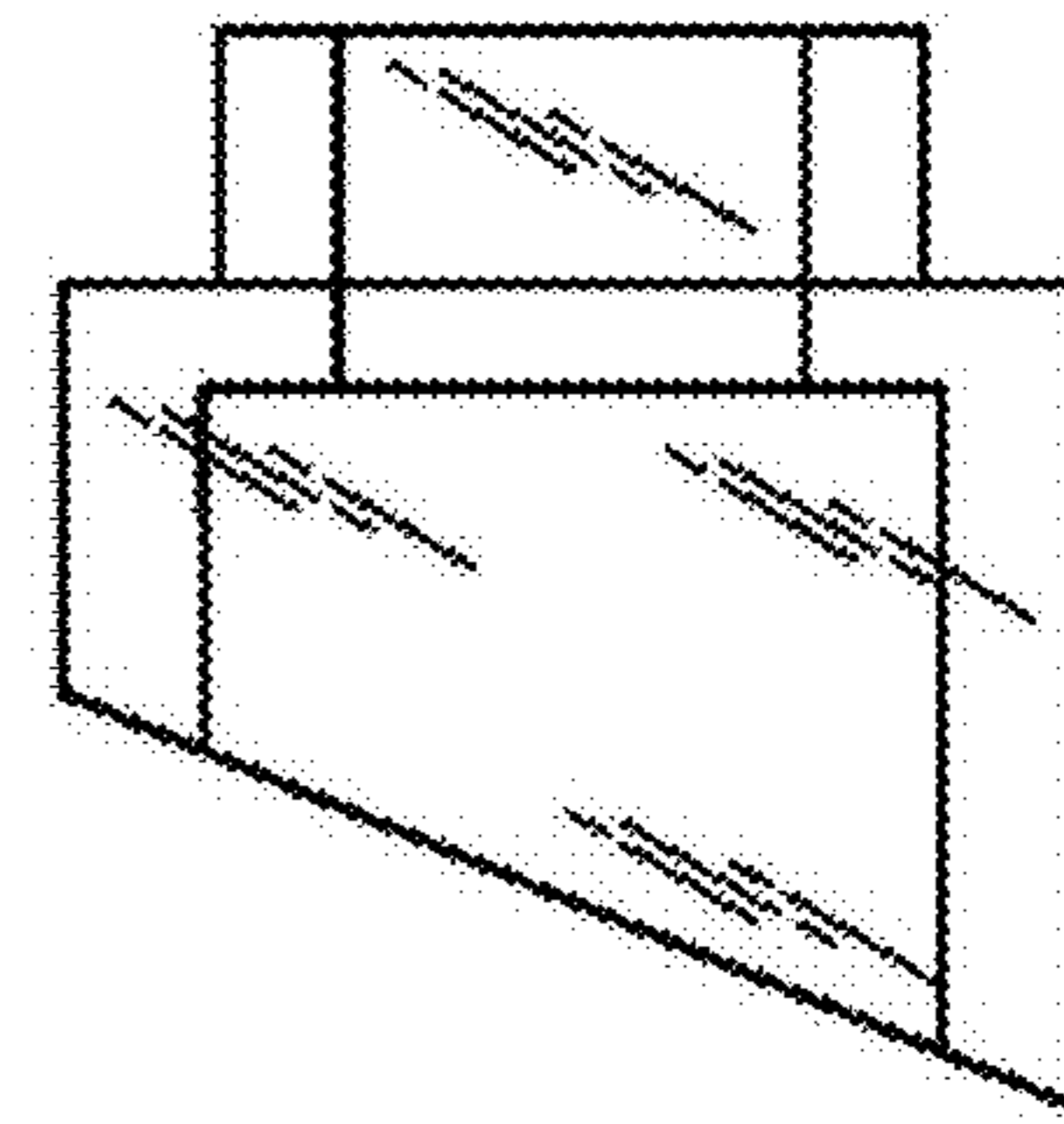


Fig. 25

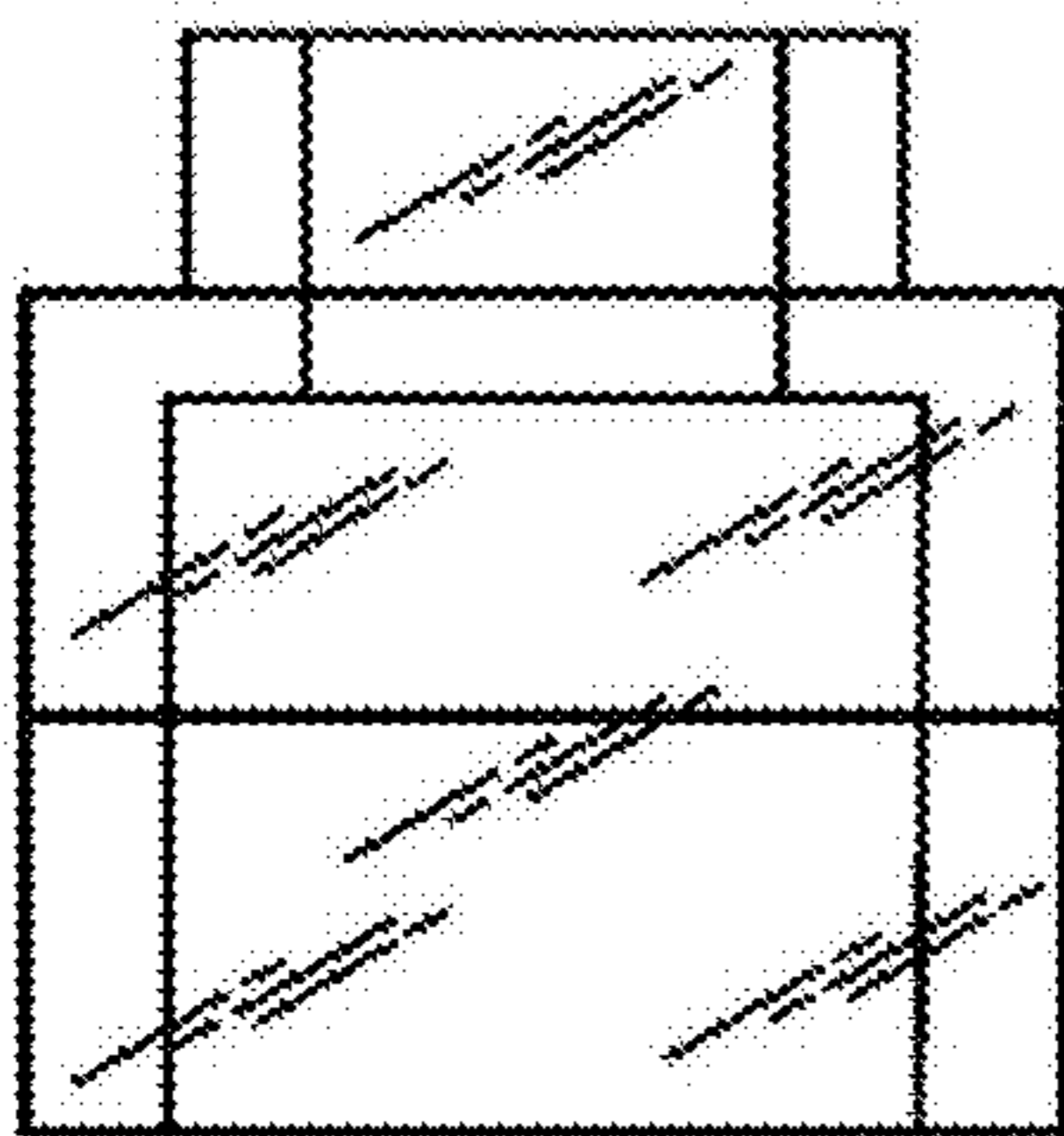


Fig. 26

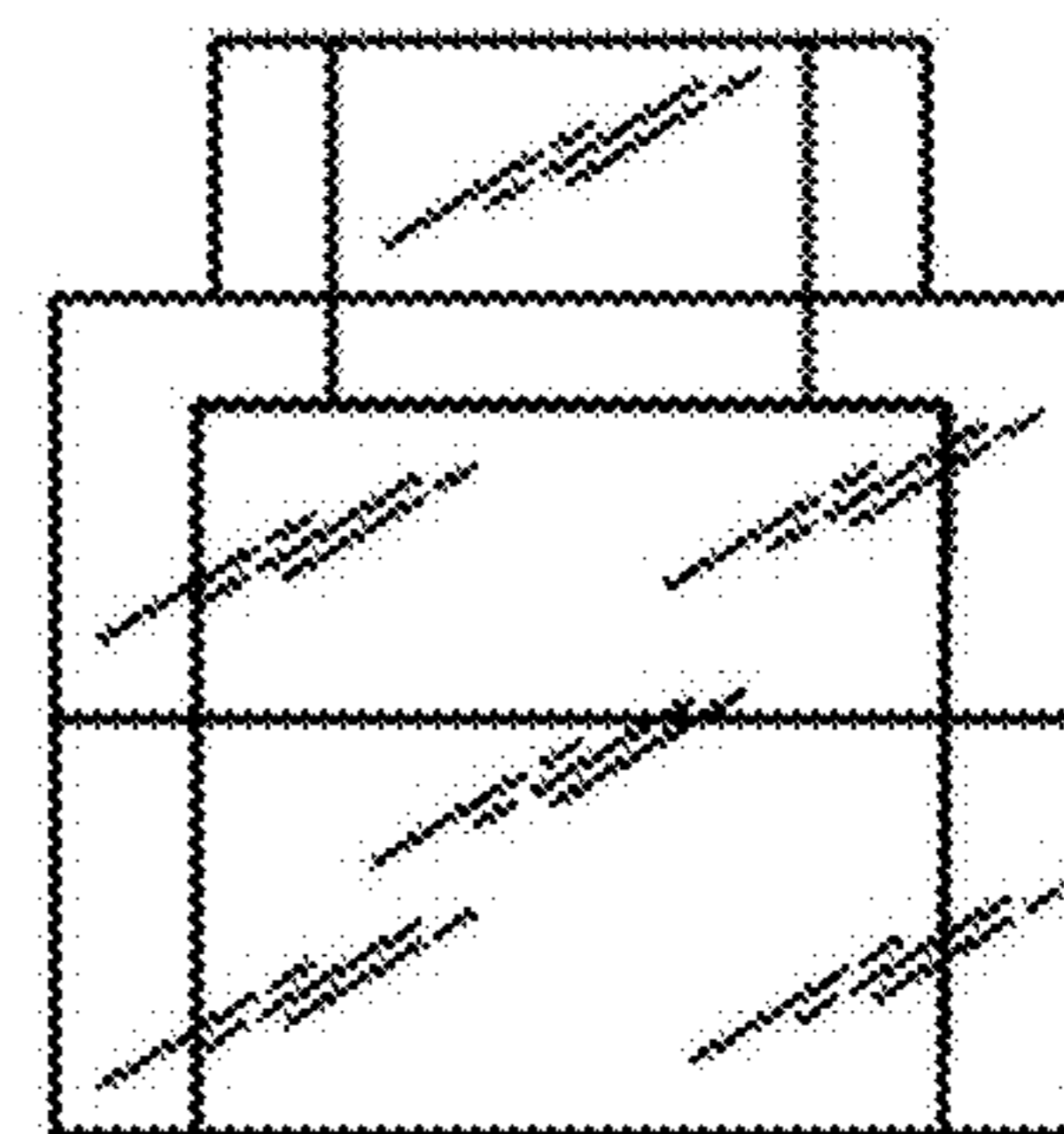


Fig. 27

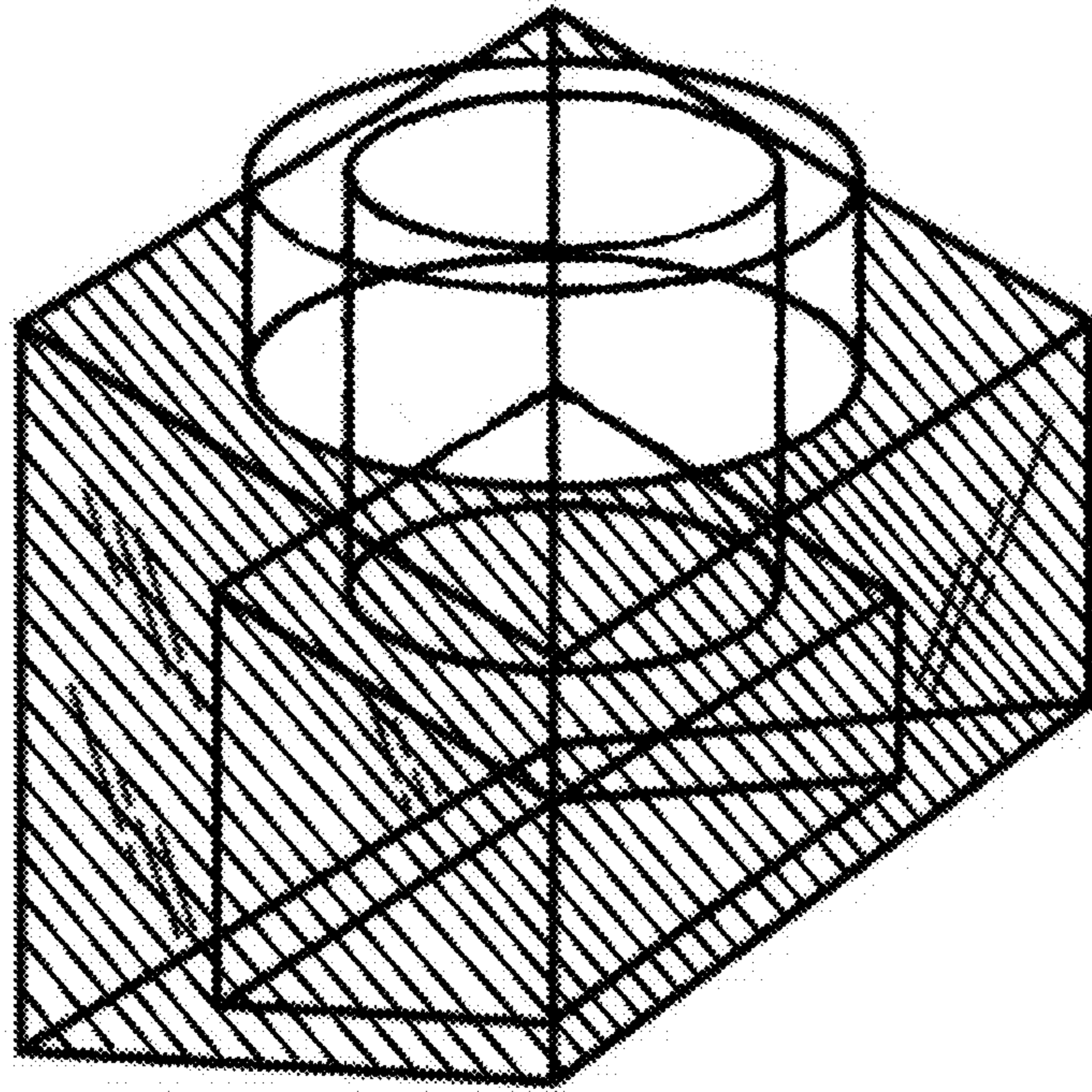


Fig. 21

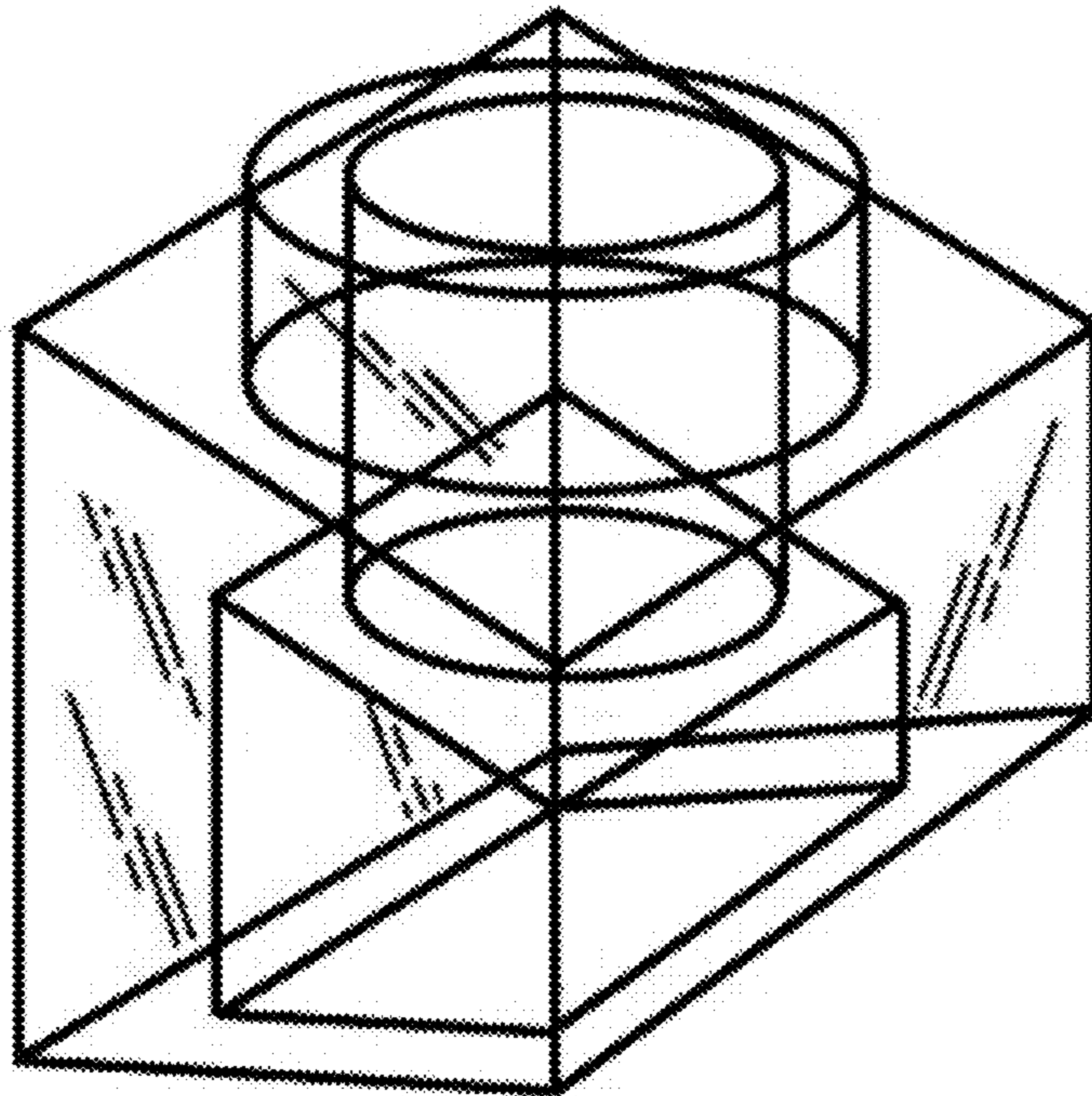


Fig. 28