

US00D875843S

(12) **United States Design Patent**  
**Muraki**

(10) **Patent No.:** **US D875,843 S**

(45) **Date of Patent:** **\*\* Feb. 18, 2020**

(54) **SPINNING TOP TOY**

(71) Applicant: **TOMY COMPANY, LTD.**, Tokyo (JP)

(72) Inventor: **Makoto Muraki**, Tokyo (JP)

(73) Assignee: **TOMY COMPANY, LTD.**, Tokyo (JP)

(\*\*) Term: **15 Years**

(21) Appl. No.: **29/664,747**

(22) Filed: **Sep. 27, 2018**

(30) **Foreign Application Priority Data**

May 25, 2018 (JP) ..... 2018-011430

(51) **LOC (12) Cl.** ..... **21-01**

(52) **U.S. Cl.**  
USPC ..... **D21/460**

(58) **Field of Classification Search**  
USPC ..... D21/455-464; 446/236-266  
CPC ..... A63H 1/00-32  
See application file for complete search history.

(56) **References Cited**

**U.S. PATENT DOCUMENTS**

D825,007 S *	8/2018	Muraki	.....	D21/460
D825,670 S *	8/2018	Muraki	.....	D21/460
D834,102 S *	11/2018	Muraki	.....	D21/460
D835,724 S *	12/2018	Muraki	.....	D21/460
D843,489 S *	3/2019	Horikoshi	.....	D21/460
D854,095 S *	7/2019	Narita	.....	D21/460
D854,096 S *	7/2019	Muraki	.....	D21/460

D854,097 S *	7/2019	Muraki	.....	D21/460
D854,626 S *	7/2019	Horikoshi	.....	D21/460
2010/0159798 A1 *	6/2010	Bertrand	.....	A63H 1/02 446/259
2015/0017872 A1 *	1/2015	Choi	.....	A63H 1/04 446/259

**FOREIGN PATENT DOCUMENTS**

JP	6377211 B1 *	8/2018	.....	A63H 1/02
JP	6405415 B1 *	10/2018	.....	A63H 1/02
WO	WO-2017016048 A1 *	2/2017	.....	A63H 1/00
WO	WO-2017020391 A1 *	2/2017	.....	A63H 1/00

\* cited by examiner

*Primary Examiner* — Catherine A Tuttle

(74) *Attorney, Agent, or Firm* — Oliff PLC

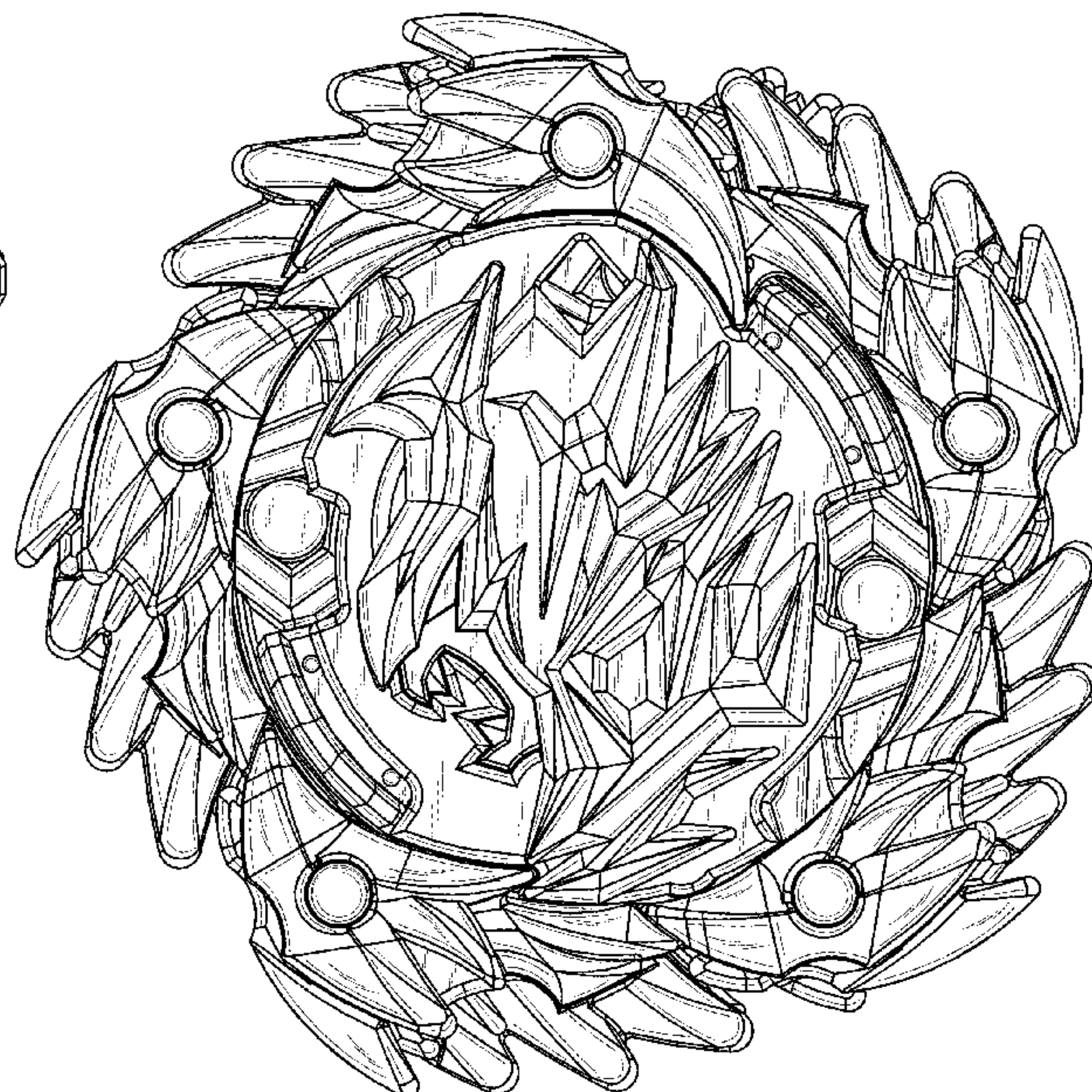
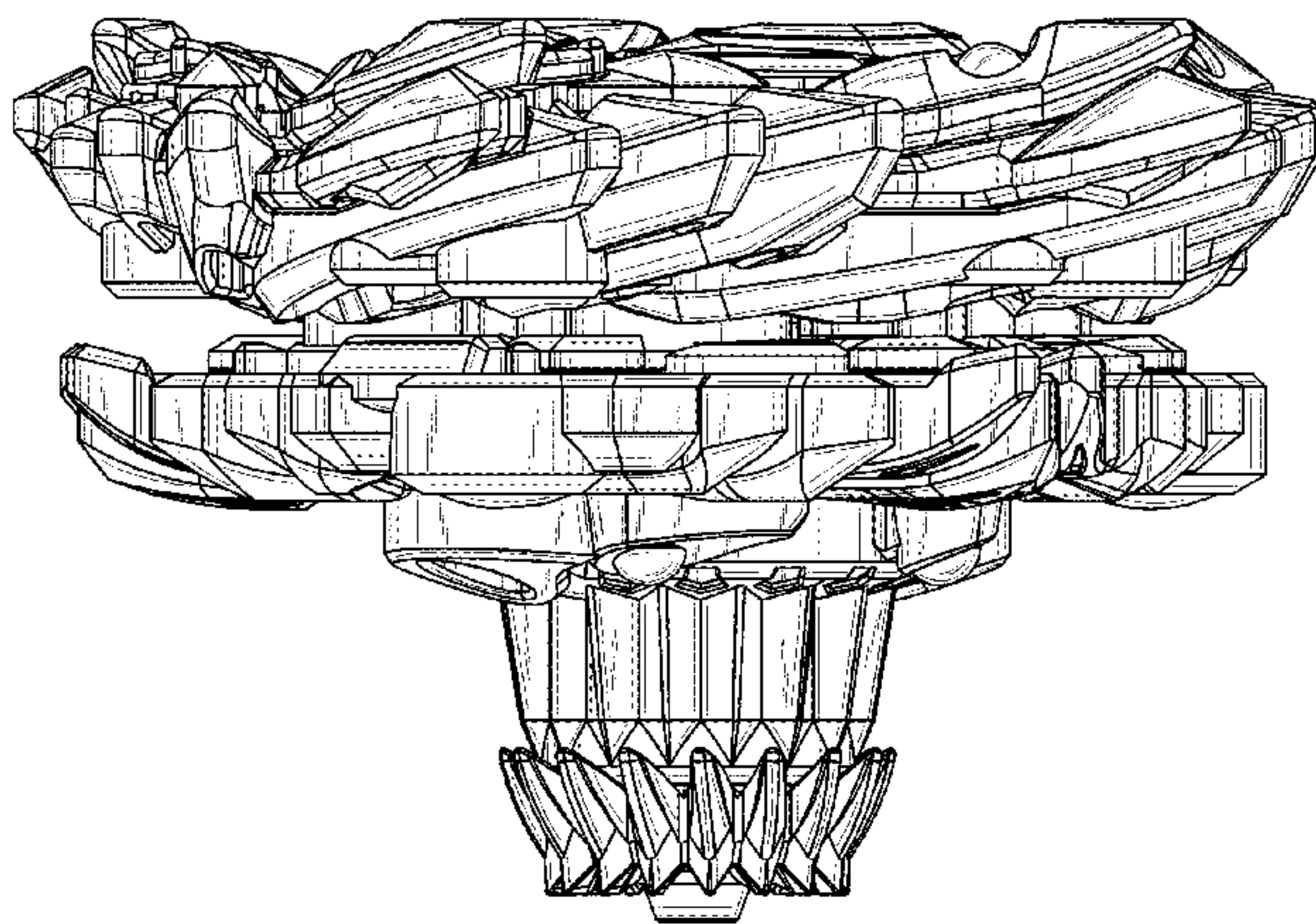
(57) **CLAIM**

The ornamental design for a spinning top toy, as shown and described.

**DESCRIPTION**

FIG. 1 is a front elevational view of the spinning top toy; FIG. 2 is a rear elevational view thereof; FIG. 3 is a left-side elevational view thereof; FIG. 4 is a right-side elevational view thereof; FIG. 5 is a top plan view thereof; FIG. 6 is a bottom plan view thereof; FIG. 7 is a front, top and right side perspective view thereof; FIG. 8 is a disassembled front, top and right side perspective view thereof; and, FIG. 9 is a disassembled rear, bottom and left side perspective view thereof.

**1 Claim, 9 Drawing Sheets**





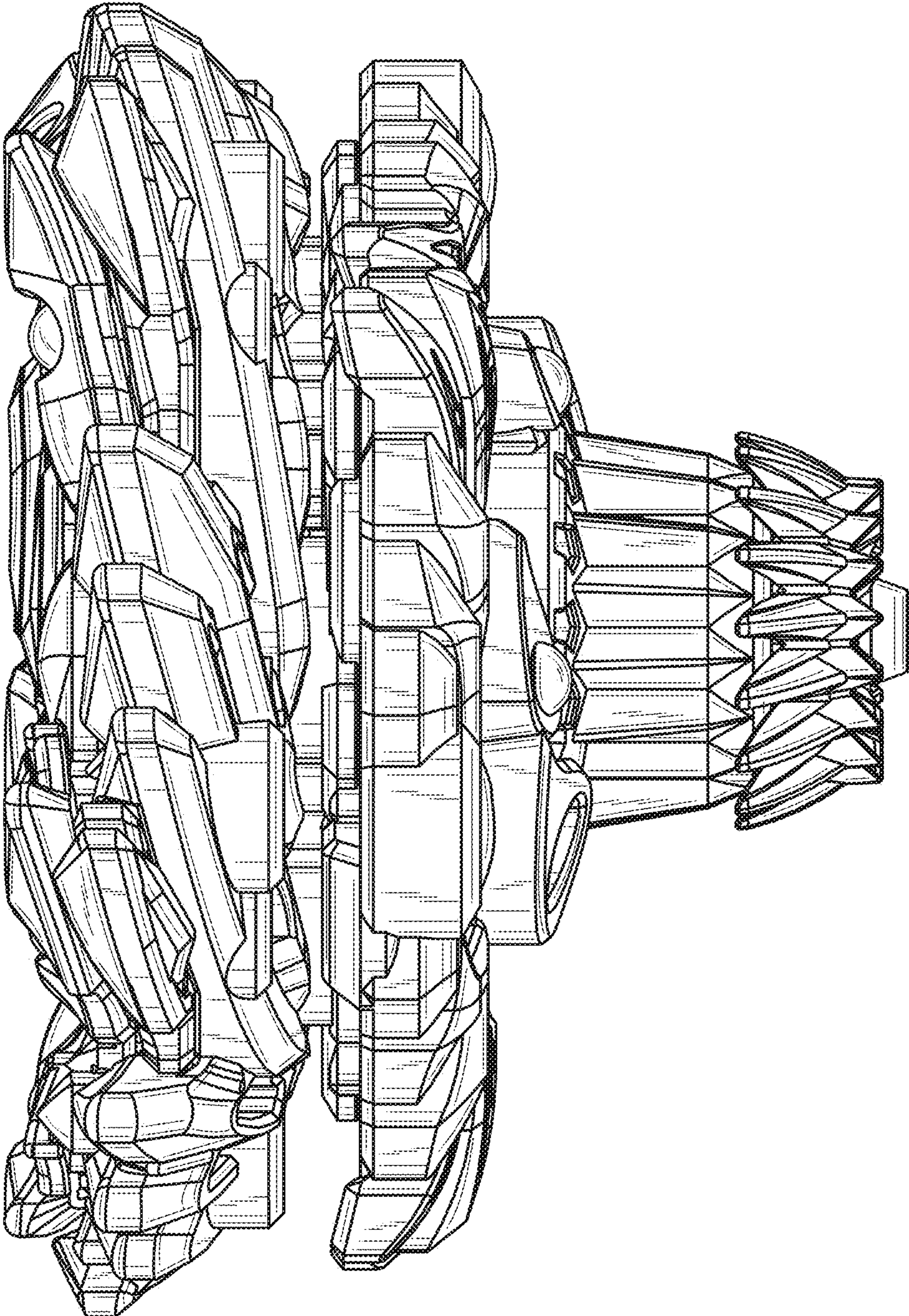


FIG. 1



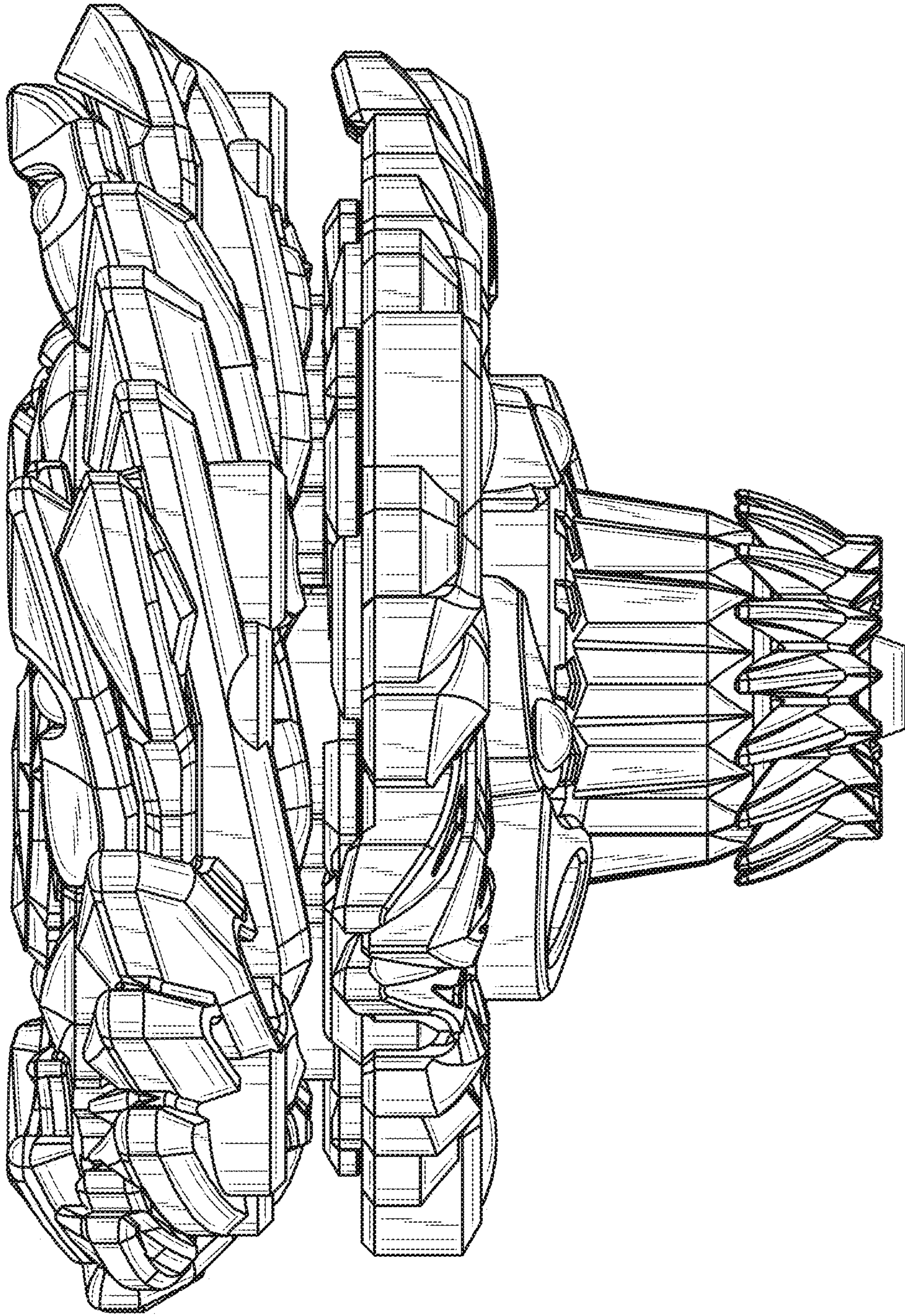


FIG. 2



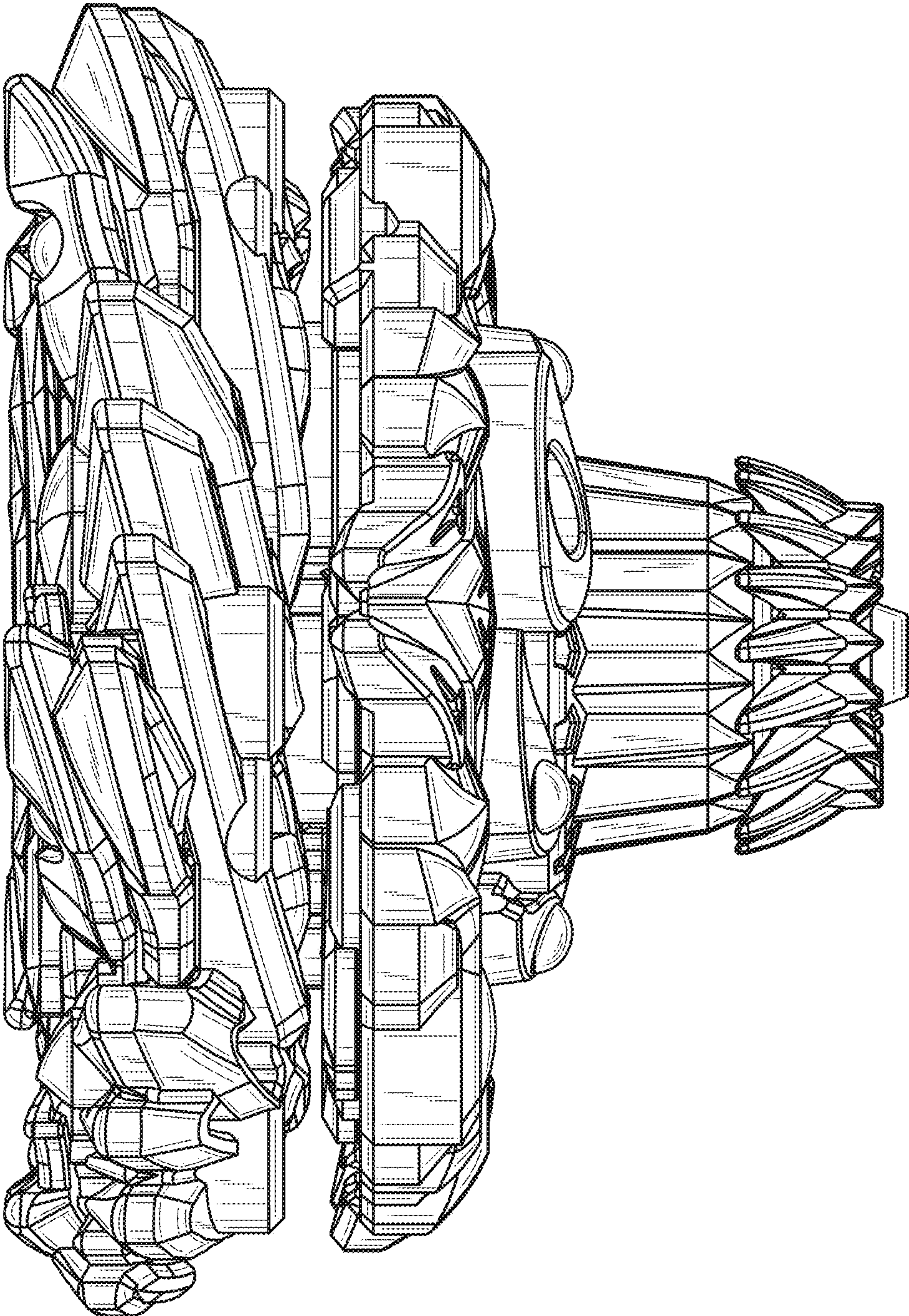


FIG. 3



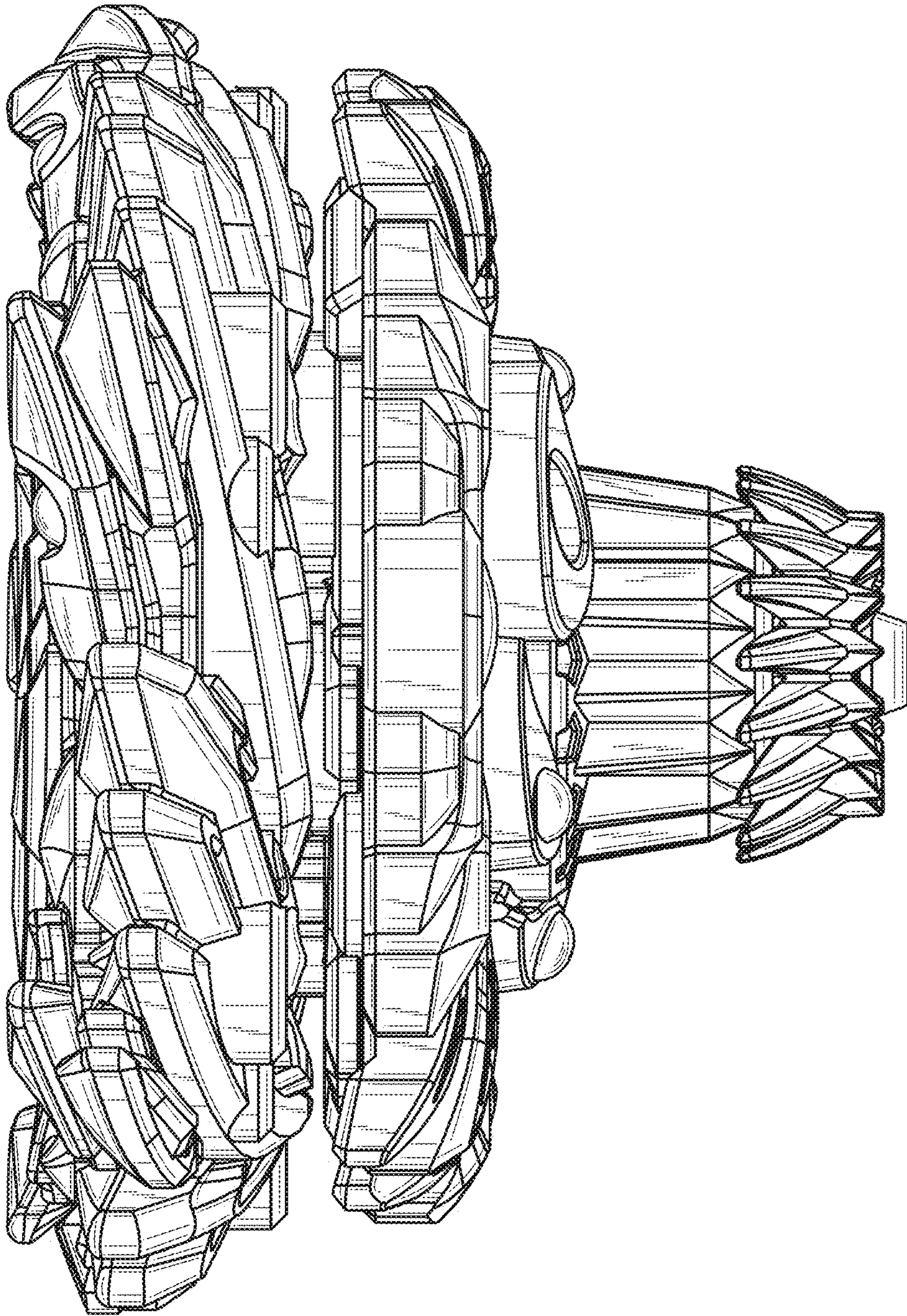


FIG. 4



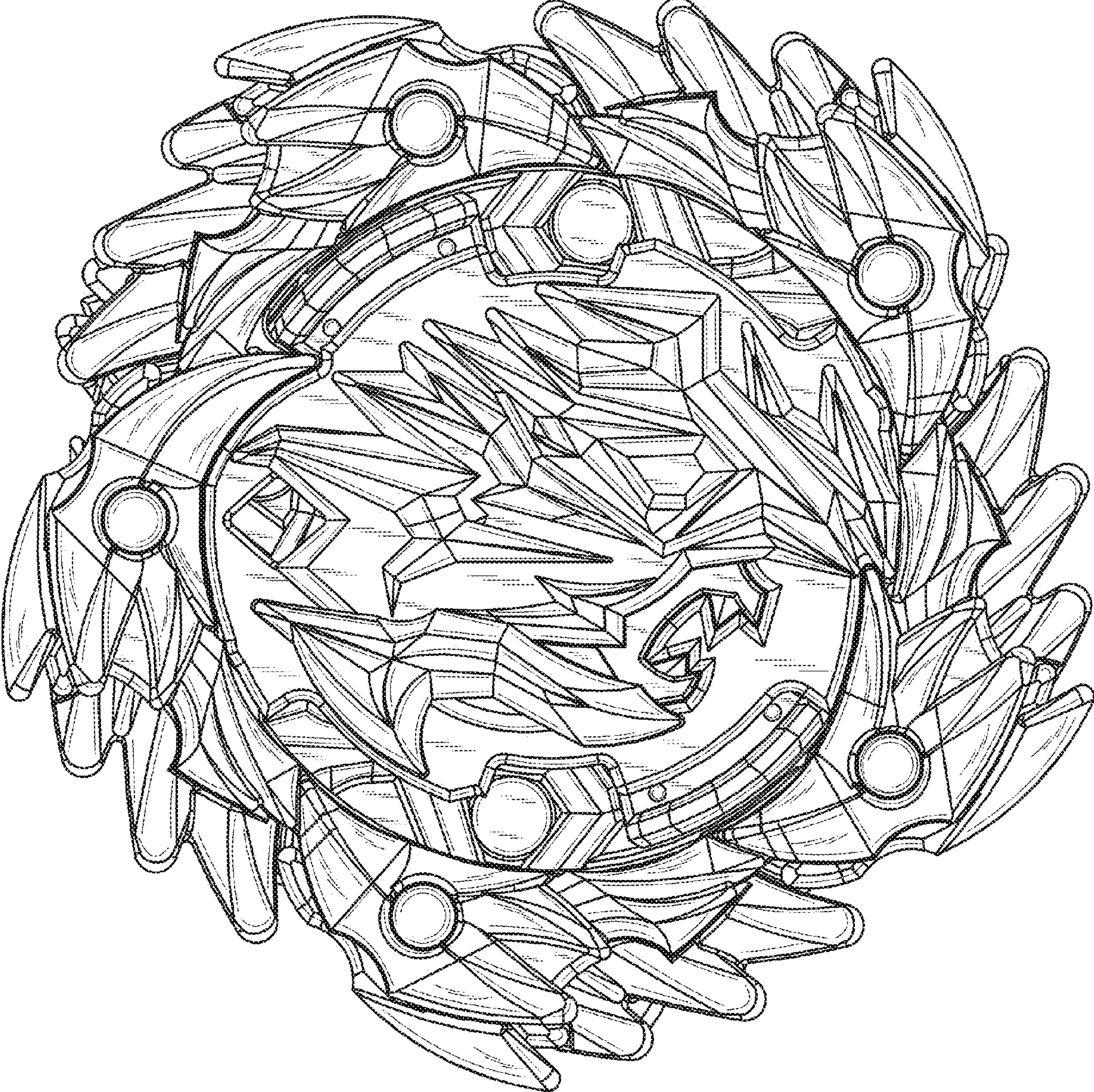


FIG. 5



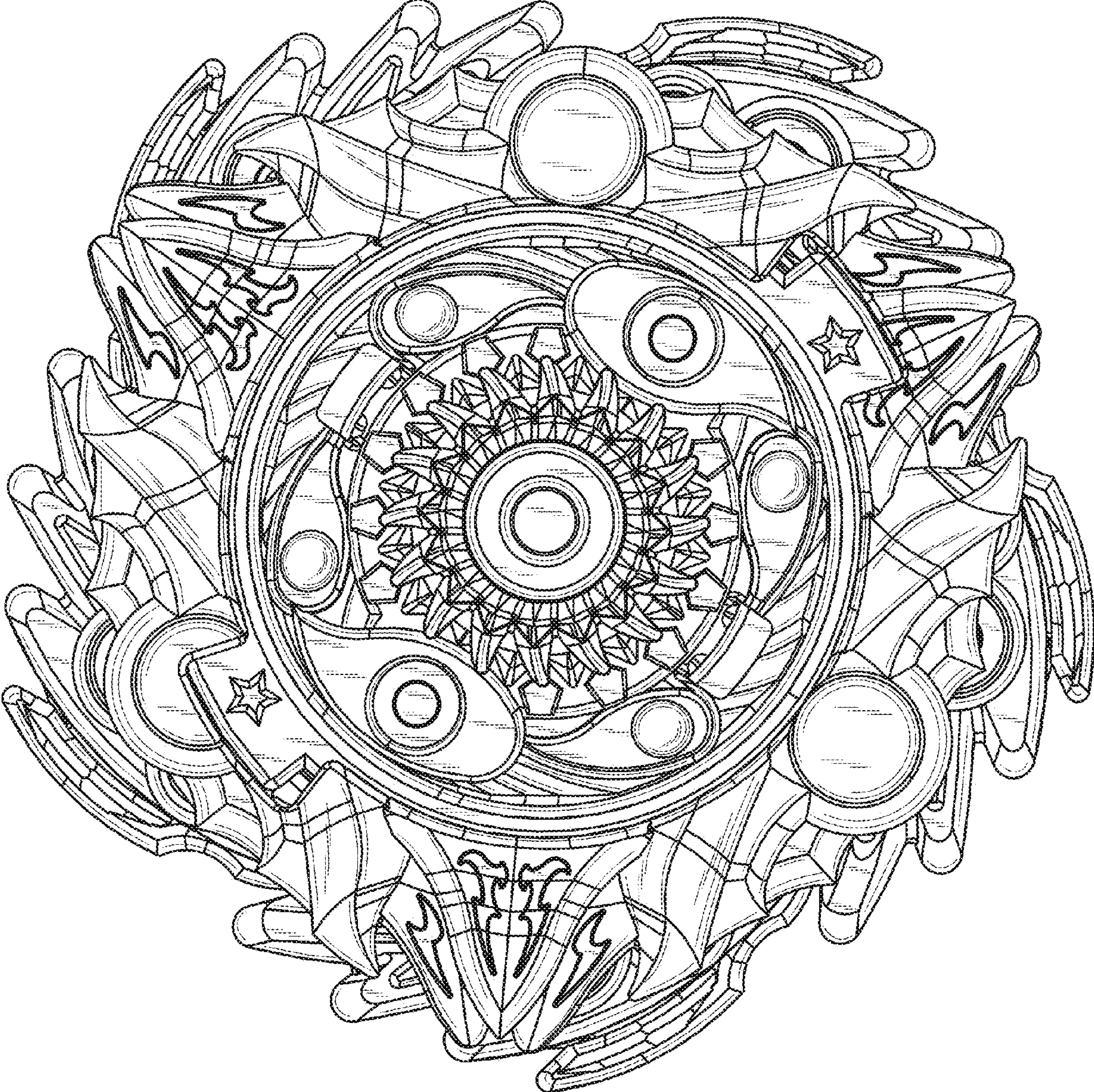


FIG. 6



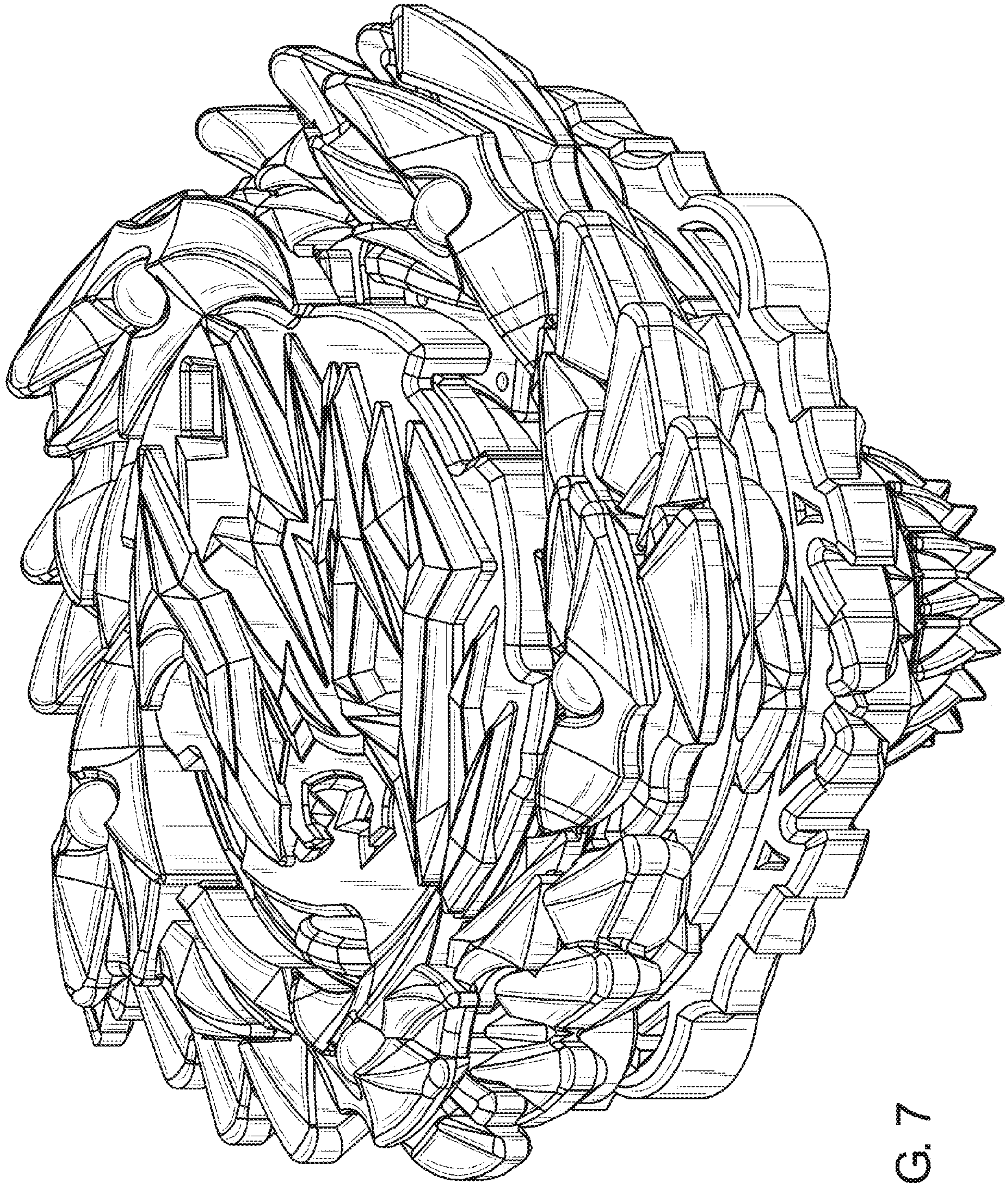


FIG. 7



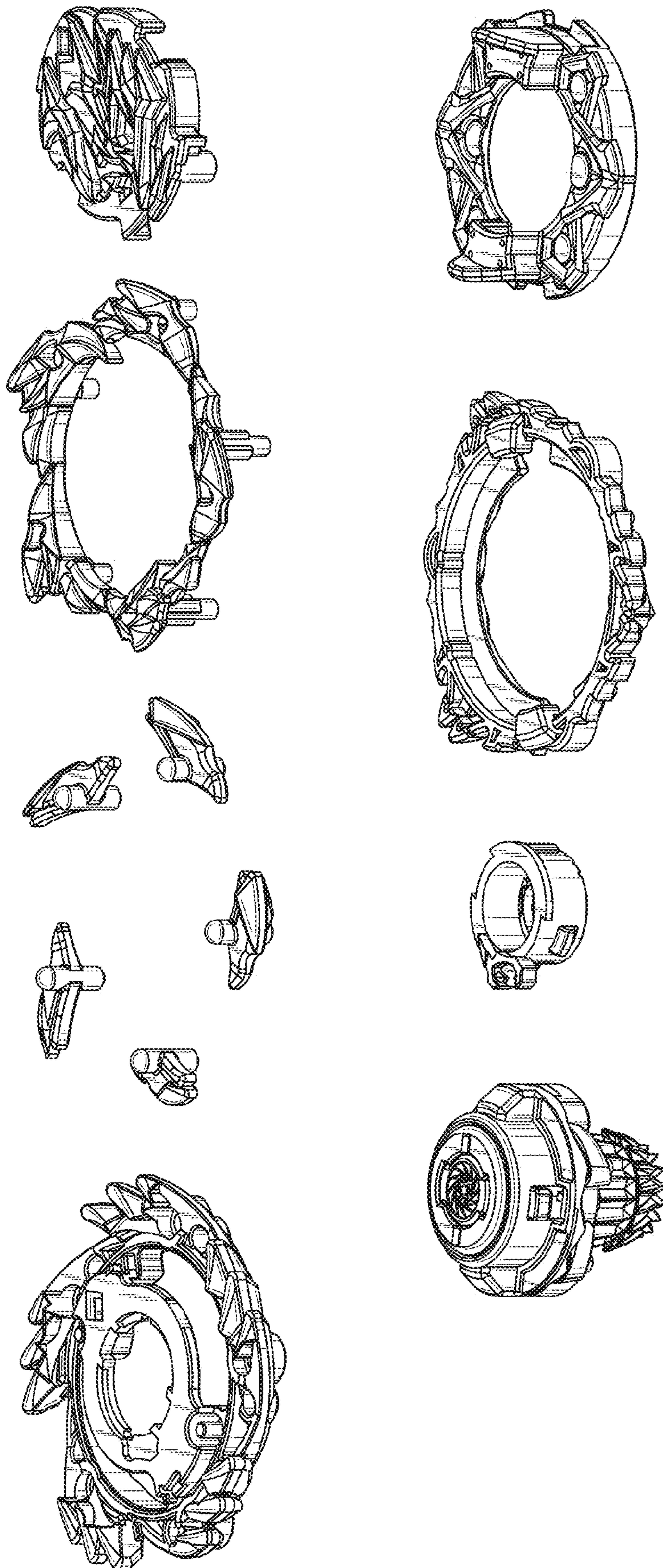


FIG. 8



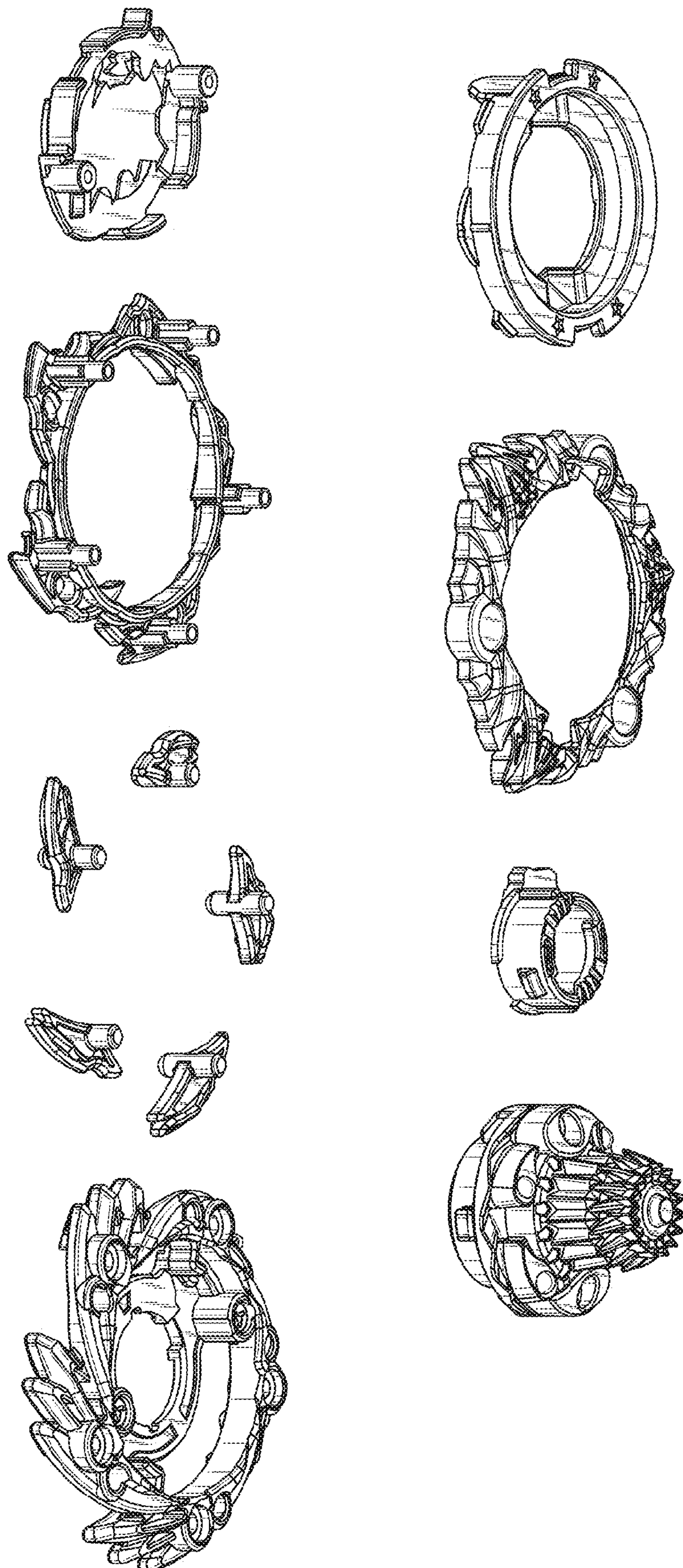


FIG. 9