



US00D875842S

(12) **United States Design Patent**  
**Nakajima et al.**

(10) **Patent No.:** **US D875,842 S**

(45) **Date of Patent:** **\*\* Feb. 18, 2020**

- (54) **ACCESSORY FOR SPINNING TOP TOY**
- (71) Applicant: **TOMY COMPANY, LTD.**, Tokyo (JP)
- (72) Inventors: **Hisashi Nakajima**, Tokyo (JP); **Kouji Narita**, Tokyo (JP)
- (73) Assignee: **TOMY COMPANY, LTD.**, Tokyo (JP)
- (\*\*) Term: **15 Years**
- (21) Appl. No.: **29/663,847**
- (22) Filed: **Sep. 19, 2018**

D849,849 S *	5/2019	Muraki	.....	D21/460
D851,709 S *	6/2019	Muraki	.....	D21/460
D854,097 S *	7/2019	Muraki	.....	D21/460
D854,626 S *	7/2019	Horikoshi	.....	D21/460
D854,627 S *	7/2019	Saito	.....	D21/460
D854,628 S *	7/2019	Saito	.....	D21/460
2010/0159798 A1 *	6/2010	Bertrand	.....	A63H 1/02 446/259

- (30) **Foreign Application Priority Data**
- Apr. 23, 2018 (JP) ..... 2018-008886
- (51) **LOC (12) Cl.** ..... **21-01**
- (52) **U.S. Cl.**
- USPC ..... **D21/460**
- (58) **Field of Classification Search**
- USPC ..... D21/455-464; 446/236-266
- CPC ..... A63H 1/00-32
- See application file for complete search history.

**FOREIGN PATENT DOCUMENTS**

JP	6377211 B1 *	8/2018	.....	A63H 1/02
JP	6405415 B1 *	10/2018	.....	A63H 1/02

\* cited by examiner

*Primary Examiner* — Catherine A Tuttle  
(74) *Attorney, Agent, or Firm* — Oliff PLC

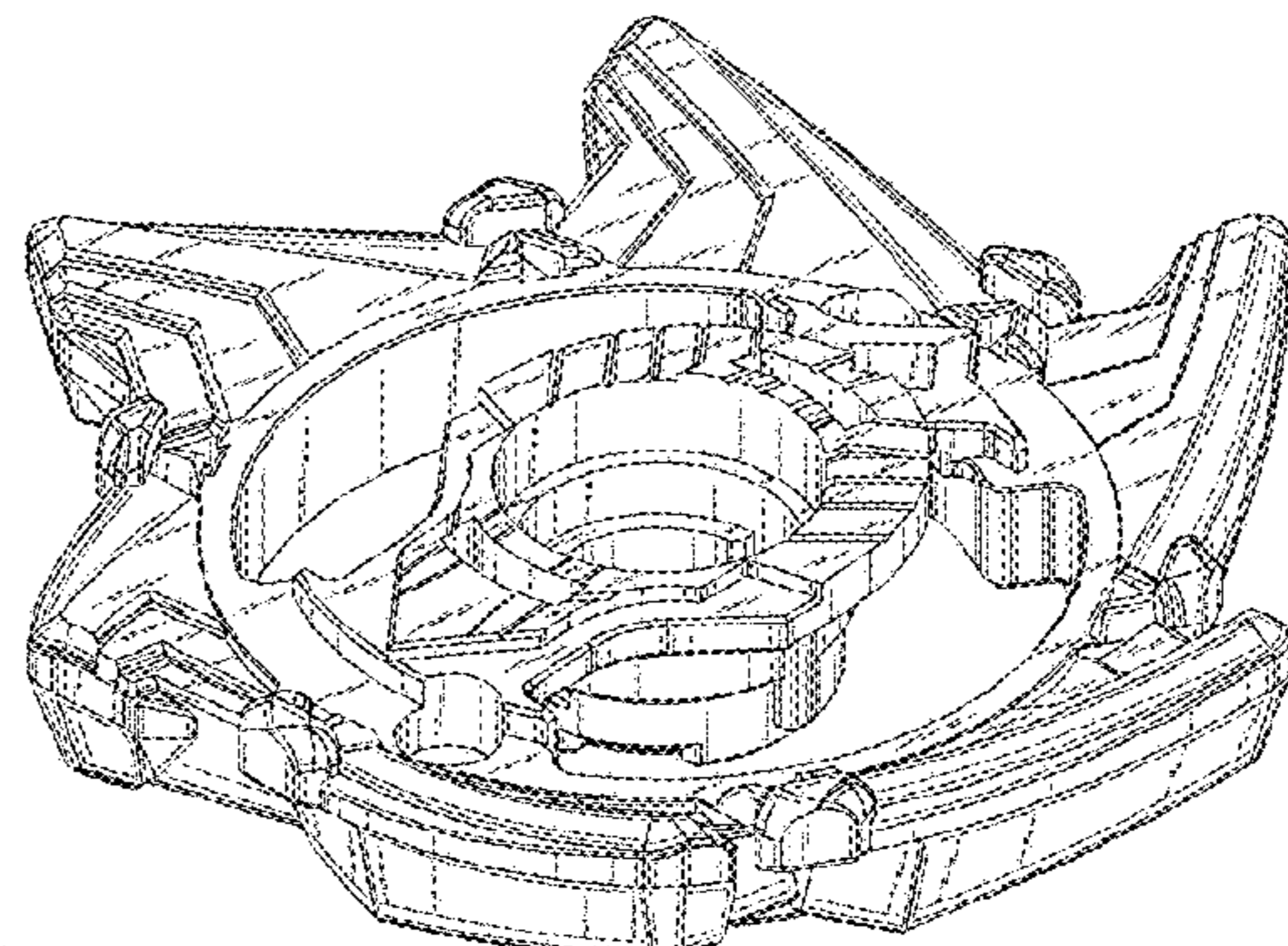
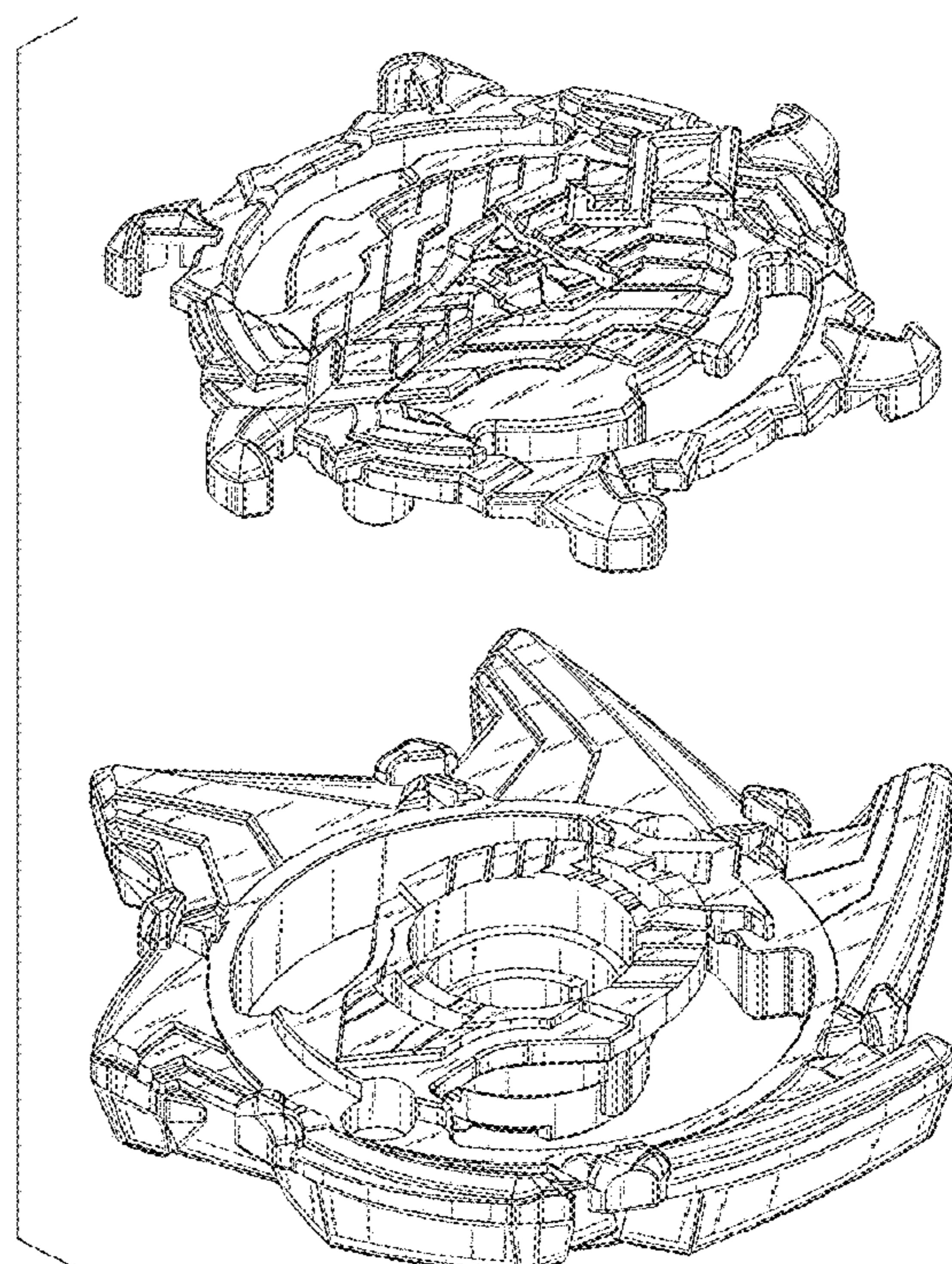
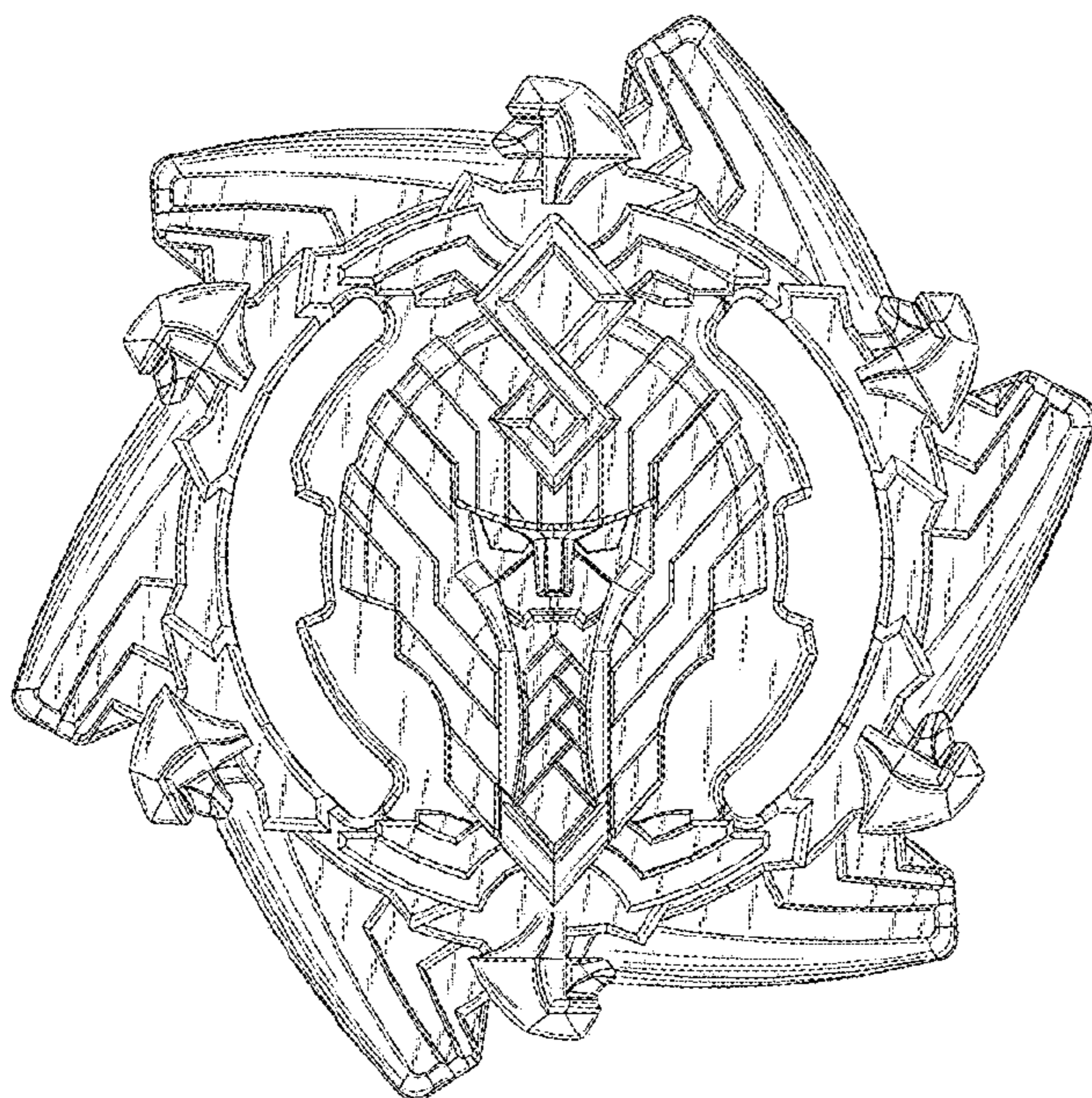
(57) **CLAIM**  
The ornamental design for an accessory for spinning top toy, as shown and described.

- (56) **References Cited**
- U.S. PATENT DOCUMENTS**
- D608,842 S \* 1/2010 Nishimoto ..... D21/460
- D825,670 S \* 8/2018 Muraki ..... D21/460
- D828,456 S \* 9/2018 Muraki ..... D21/460
- D834,102 S \* 11/2018 Muraki ..... D21/460
- D841,099 S \* 2/2019 Matsukawa ..... D21/460
- D843,489 S \* 3/2019 Horikoshi ..... D21/460
- D844,069 S \* 3/2019 Horikawa ..... D21/460

**DESCRIPTION**

FIG. 1 is a front elevational view of the accessory for spinning top toy;  
FIG. 2 is a rear elevational view thereof;  
FIG. 3 is a left-side elevational view thereof;  
FIG. 4 is a right-side elevational view thereof;  
FIG. 5 is a top plan view thereof;  
FIG. 6 is a bottom plan view thereof;  
FIG. 7 is a front, top and right side perspective view thereof;  
FIG. 8 is a disassembled front, top and right side perspective view thereof; and,  
FIG. 9 is a disassembled rear, bottom and left side perspective view thereof.

**1 Claim, 9 Drawing Sheets**





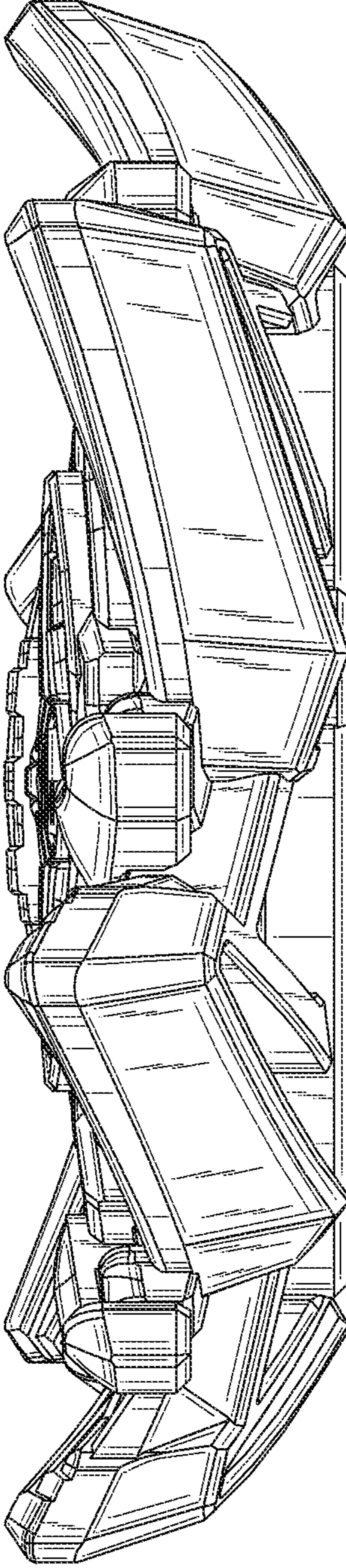


FIG. 1

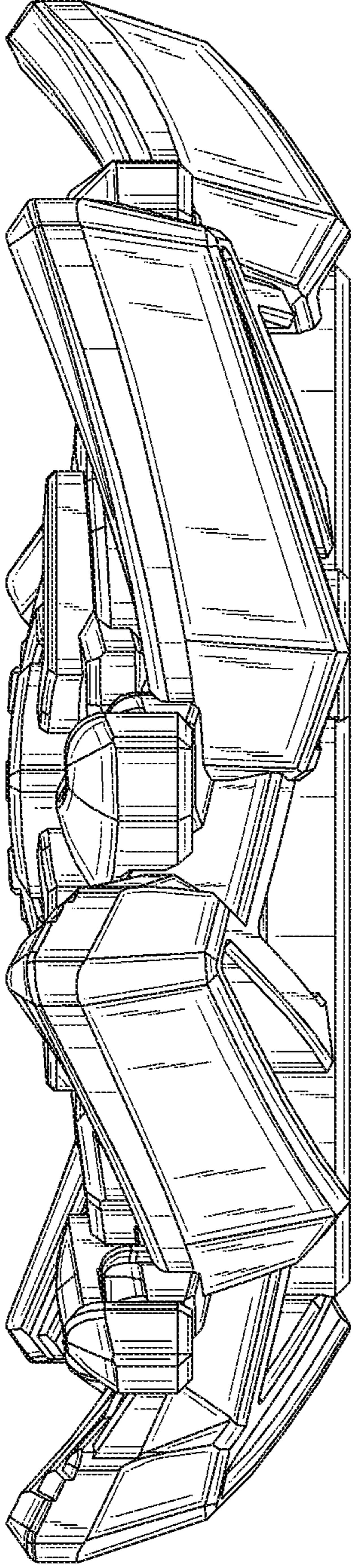


FIG. 2

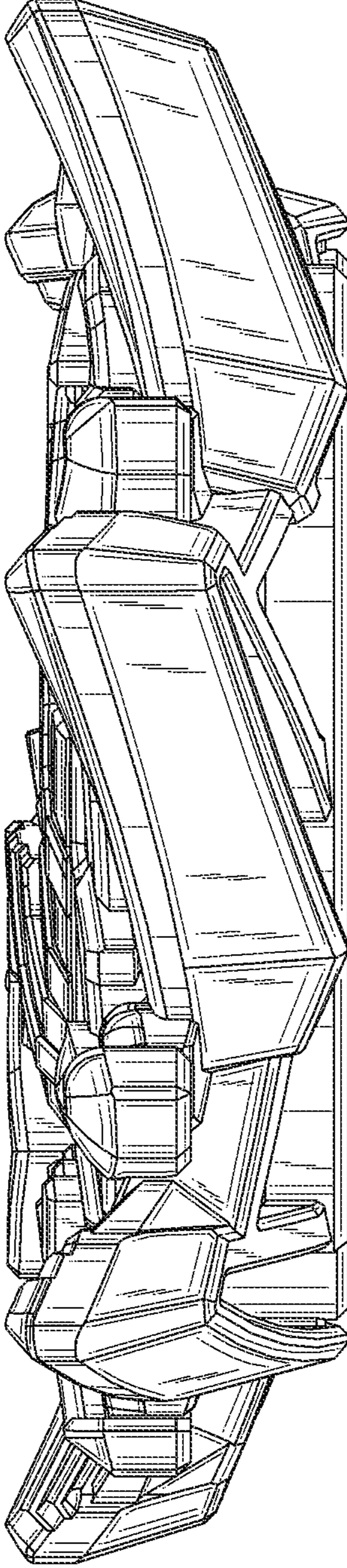


FIG. 3



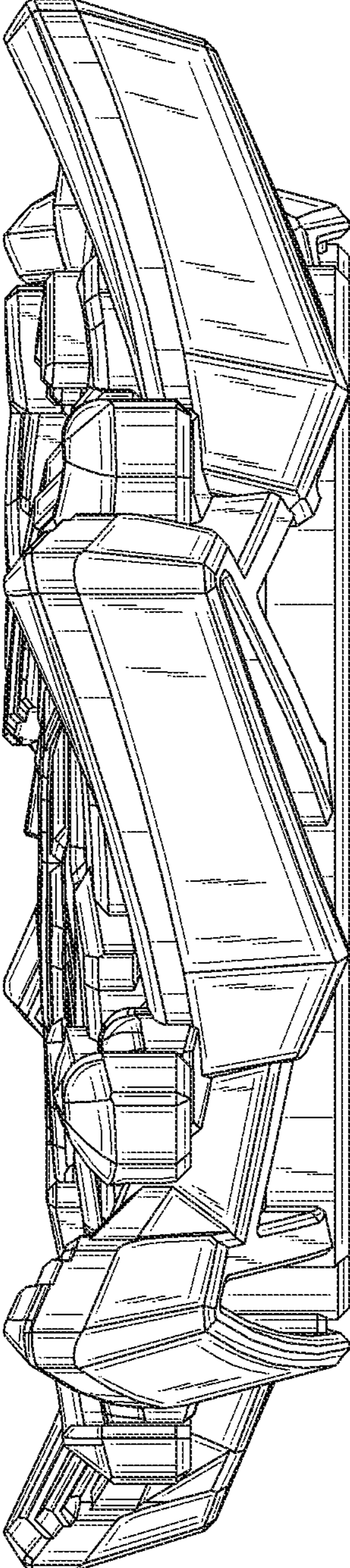


FIG. 4

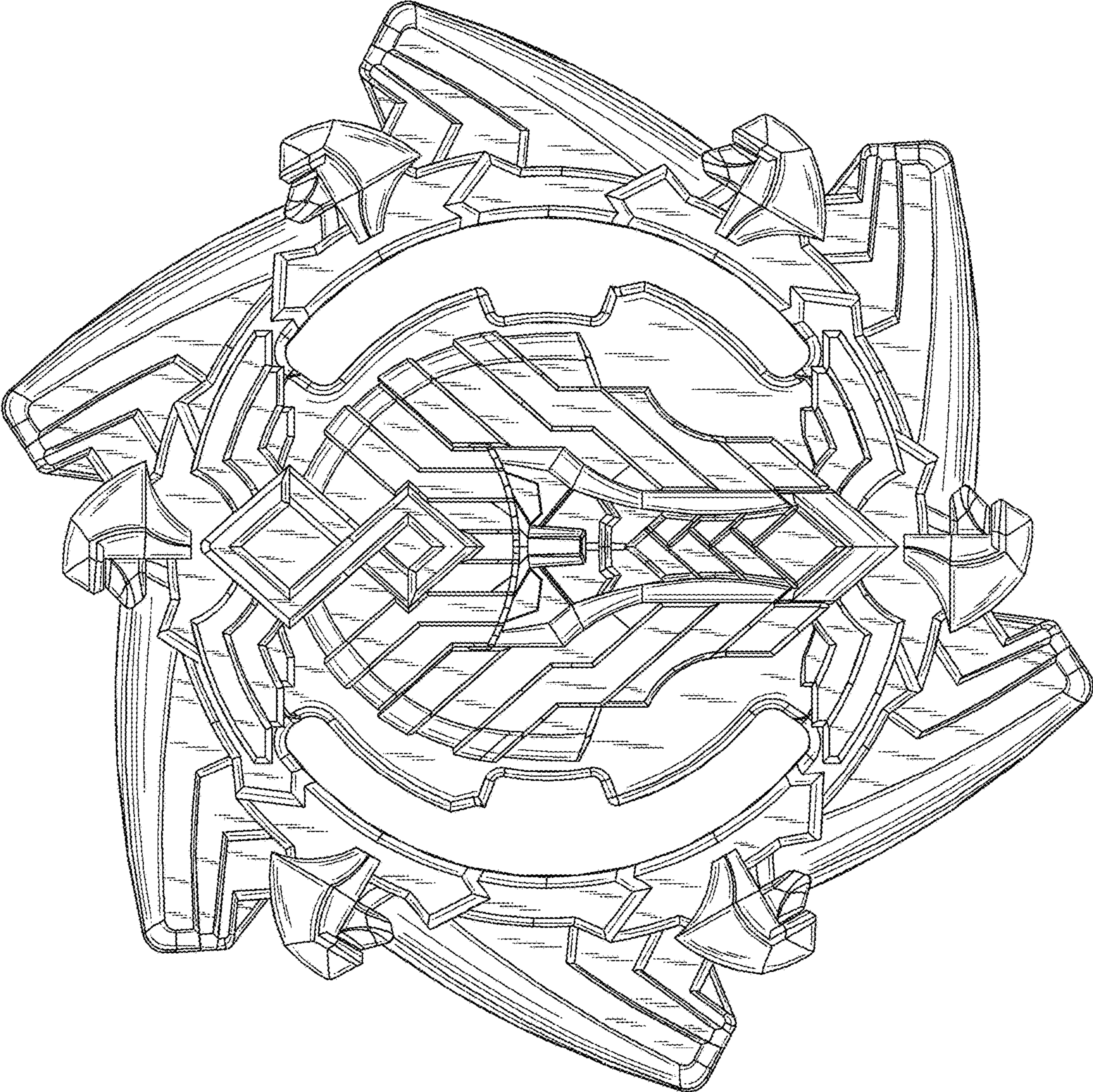


FIG. 5



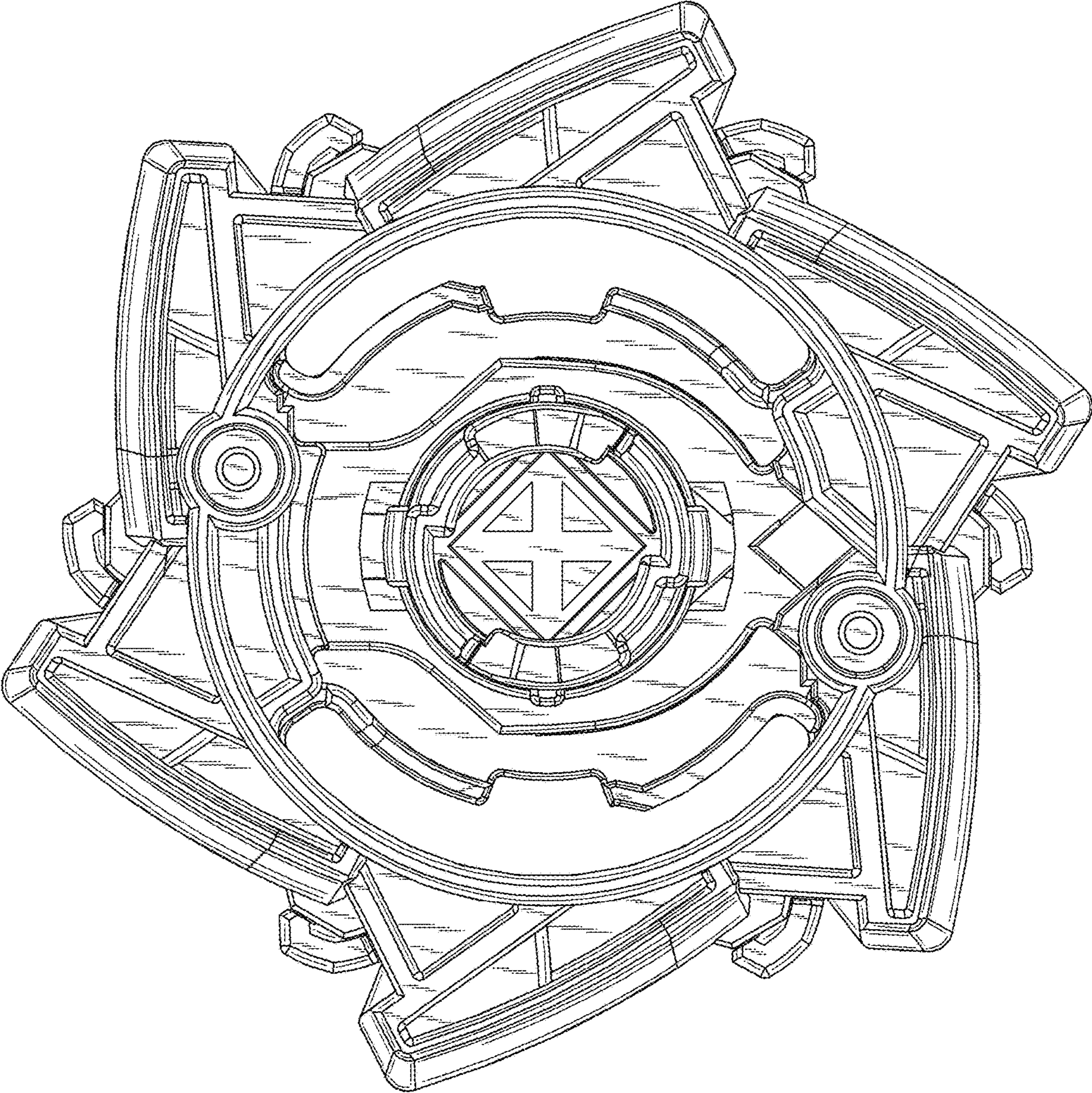
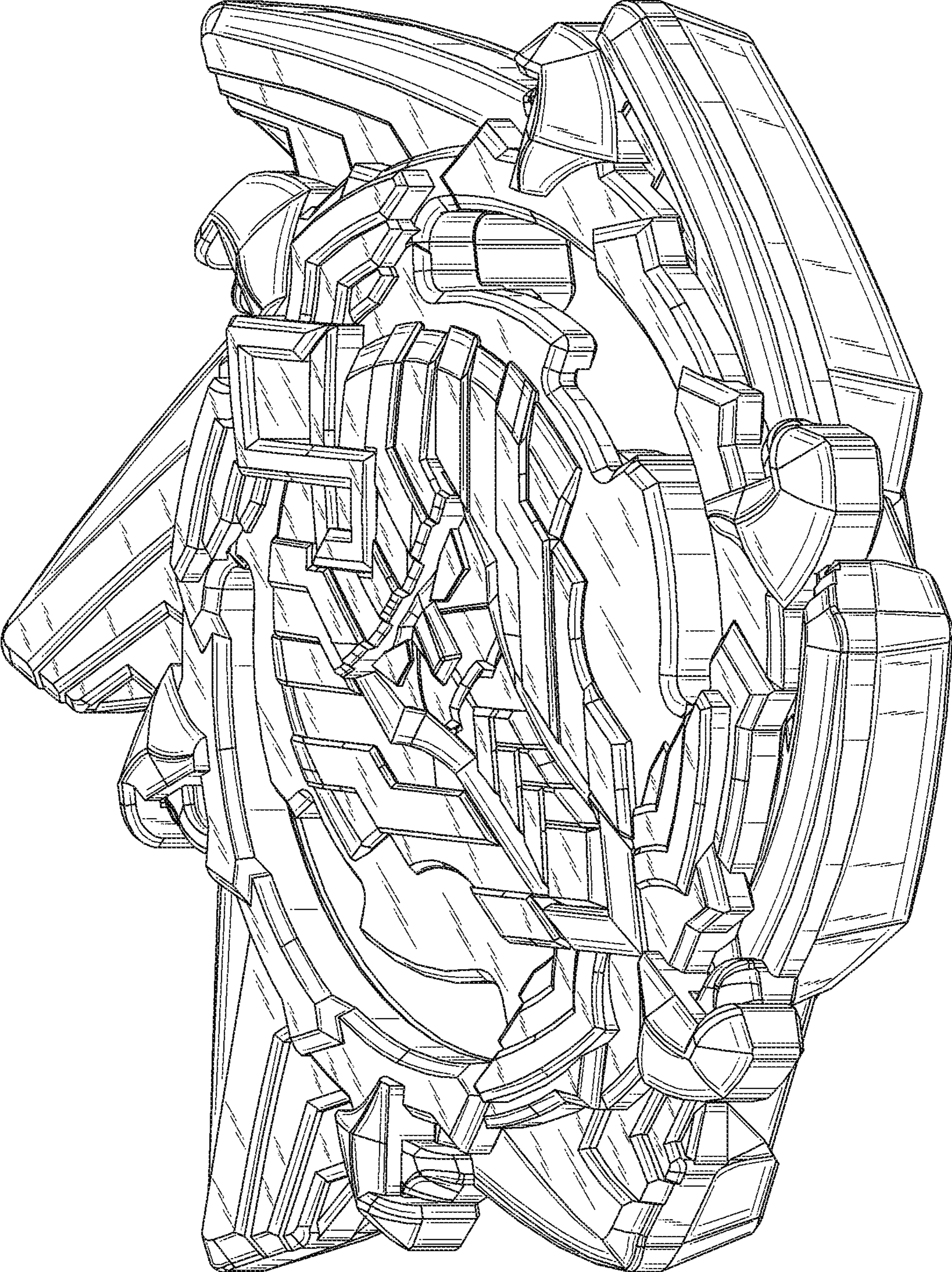


FIG. 6



FIG. 7





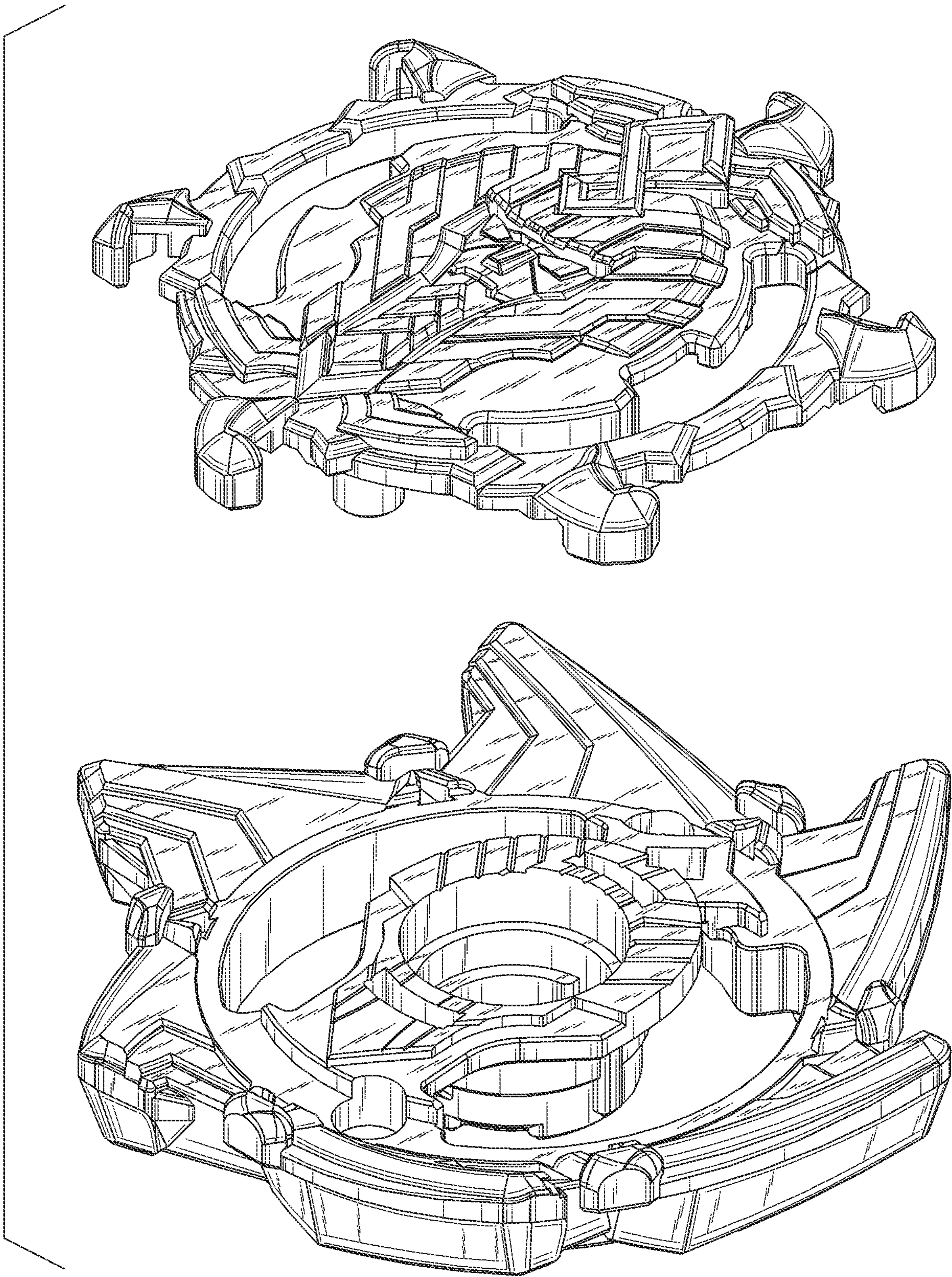


FIG. 8



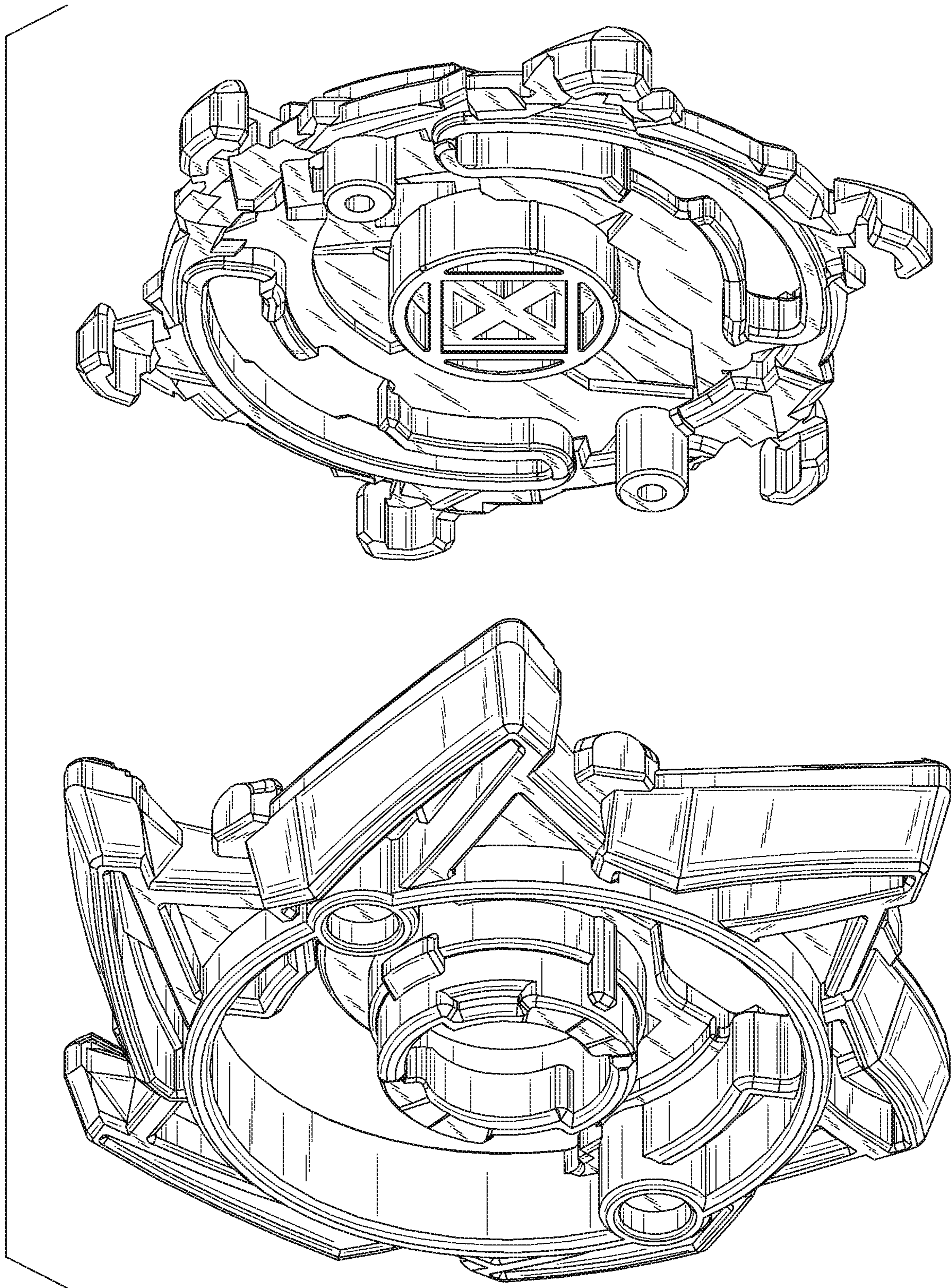


FIG. 9