



US00D875840S

(12) **United States Design Patent** (10) **Patent No.:** **US D875,840 S**
Wu (45) **Date of Patent:** **** Feb. 18, 2020**

(54) **TOY AIRCRAFT**
(71) Applicant: **Apex Toys (Shenzhen) Co., Ltd.**,
Shenzhen (CN)
(72) Inventor: **Yong Wu**, Guangdong (CN)
(73) Assignee: **Apex Toys (Shenzhen) Co., Ltd.**,
Shenzhen (CN)

2,147,968 A * 2/1939 Delanne B64C 39/00
244/119
D113,649 S * 3/1939 Abrams 244/91
D114,122 S * 4/1939 Martin 244/105
D114,626 S * 5/1939 Taylor et al. 244/119
D115,854 S * 7/1939 Loudy 244/13
D119,714 S * 3/1940 Hibbard 244/13
D123,427 S * 11/1940 Brandrup D12/335
D126,067 S * 3/1941 Boushey D12/335
D129,412 S * 9/1941 Nebesar D12/324

(Continued)

(**) Term: **15 Years**

OTHER PUBLICATIONS

(21) Appl. No.: **29/636,339**
(22) Filed: **Feb. 7, 2018**
(51) **LOC (12) Cl.** **21-01**
(52) **U.S. Cl.**
USPC **D21/447**
(58) **Field of Classification Search**
USPC D12/319-345, 1-4, 16.1, 214, 300, 305,
D12/308, 316, 317; D21/436-454;
D30/160
CPC B64C 29/0025; B64C 2201/108; B64C
2201/048; B64C 2201/088; B64C 29/00;
B64C 29/0058; B64C 39/001; B64C
39/024; B64C 39/062; B64C 2201/141;
B64C 27/12

Apex airplane. by bang good. earliest review dated Jul. 30, 2018.
found online [Apr. 29, 2019] https://www.banggood.com/APEX-K5418AK-Blue-WWII-2_4G-2CH-DIY-Micro-RC-Glider-Airplane-RTF-p-1320284.html#jsReviewsWrap.*

Primary Examiner — Marissa J Cash
(74) *Attorney, Agent, or Firm* — JCIPRNET

See application file for complete search history.

(57) **CLAIM**

The ornamental design for a toy aircraft, as shown and described.

DESCRIPTION

The file of this patent contains a least one drawing executed in color. Copies of this patent with color drawings will be provided by the United States Patent and Trademark Office upon request and payment of the necessary fee.

(56) **References Cited**

U.S. PATENT DOCUMENTS

D82,314 S * 10/1930 Christmas D12/335
D91,444 S * 1/1934 Shelton D12/335
D97,361 S * 10/1935 Swanson D12/335
D97,652 S * 11/1935 Swanson D12/335
D98,660 S * 2/1936 Burnelli D12/335
D100,608 S * 7/1936 Taylor et al. D12/335
D100,609 S * 7/1936 Wilson et al. D12/335
D101,928 S * 11/1936 Wilson et al. D12/331
D103,290 S * 2/1937 Wendt D12/324
D106,275 S * 10/1937 Bellanca D12/335
D112,834 S * 1/1939 Seversky 244/45 R

FIG. 1 is a perspective view of a toy aircraft showing my new design;

FIG. 2 is another perspective view thereof;

FIG. 3 is a front view thereof;

FIG. 4 is a rear view thereof;

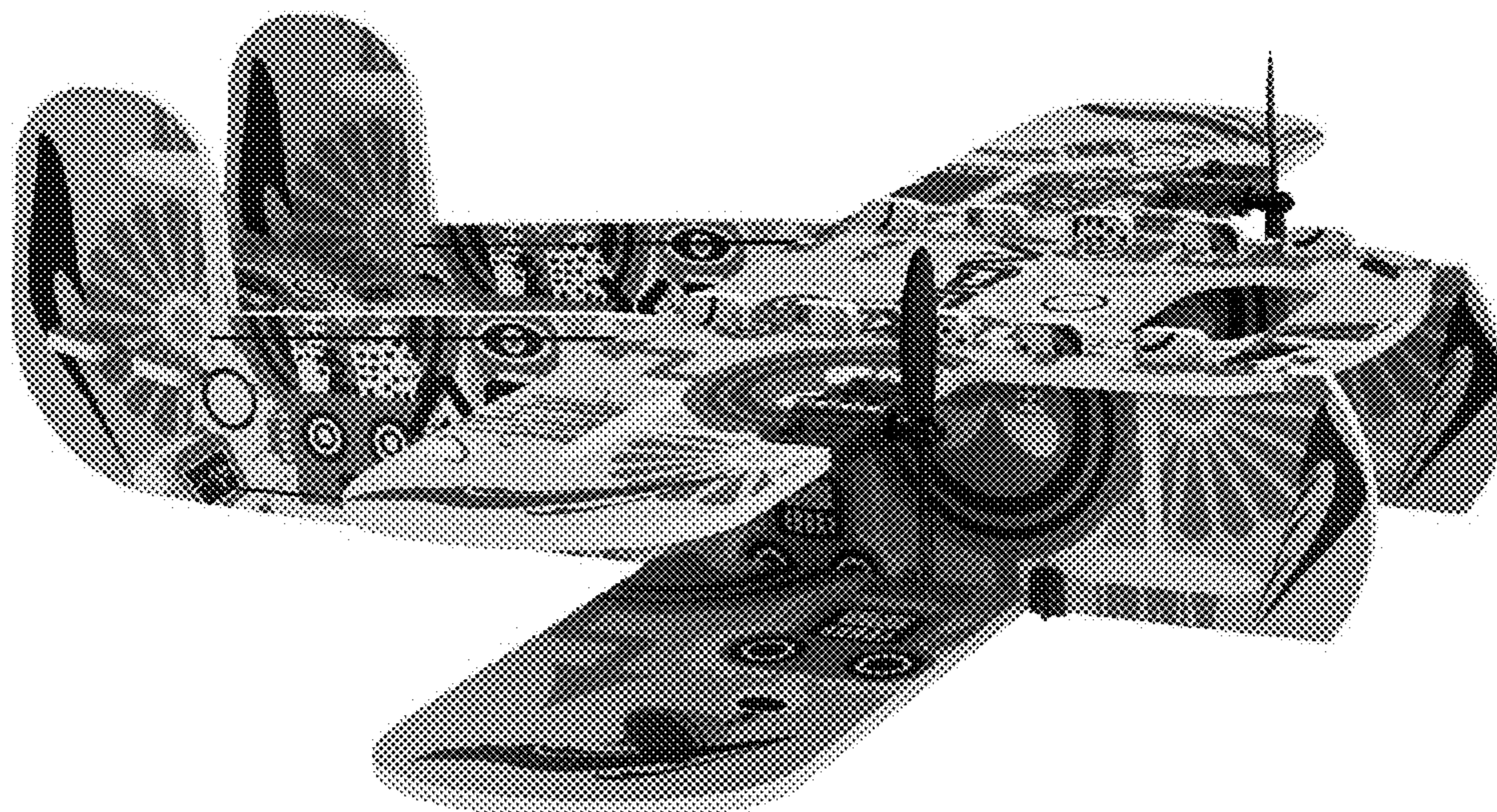
FIG. 5 is a left side view thereof;

FIG. 6 is a right side view thereof;

FIG. 7 is a top view thereof; and,

FIG. 8 is a bottom view thereof.

1 Claim, 6 Drawing Sheets
(6 of 6 Drawing Sheet(s) Filed in Color)



(56)

References Cited

U.S. PATENT DOCUMENTS

D130,651 S *	12/1941	Silverstein	244/13	D238,888 S *	2/1976	Bradley	D21/833
RE22,029 E *	2/1942	Nebesar	B64C 39/04	D239,274 S *	3/1976	Snyder	D12/335
			244/13	D239,522 S *	4/1976	Wheatley	D12/335
D133,126 S *	7/1942	Woods	D12/335	D240,909 S *	8/1976	Whitener	D12/335
D133,777 S *	9/1942	Gardenhire	244/49	D245,157 S *	7/1977	Seidel	D12/333
D135,994 S *	7/1943	Floren	244/215	D250,727 S *	1/1979	Venditti	D21/450
D135,995 S *	7/1943	Floren	244/215	D250,786 S *	1/1979	Venditti	D21/450
D136,078 S *	8/1943	Novikoff	244/106	D250,852 S *	1/1979	Maloney, II	D21/450
D136,249 S *	8/1943	Burnelli	D12/333	D268,107 S *	3/1983	Enav	244/15
D136,296 S *	8/1943	Szycer	244/16	D273,005 S *	3/1984	McComas	D12/335
D138,102 S *	6/1944	Kelly	244/106	D274,510 S *	7/1984	McComas	D12/338
D138,217 S *	7/1944	Van Zelm	244/13	D292,203 S *	10/1987	Ligeti	D12/319
D138,218 S *	7/1944	Van Zelm	244/13	D292,910 S *	11/1987	McGiboney	D12/331
D138,795 S *	9/1944	Stoughton	244/45 R	4,746,082 A *	5/1988	Syms	B64D 47/08
D139,028 S *	10/1944	Stout	244/45 R				244/118.2
D139,438 S *	11/1944	Hughes et al.	244/13	D301,867 S *	6/1989	Street	D12/339
D140,113 S *	1/1945	Biasell	244/13	D308,043 S *	5/1990	Butler	D12/331
D140,220 S *	1/1945	Thieblot	244/45 R	D311,720 S *	10/1990	Butler	D12/331
D143,729 S *	2/1946	Hall et al.	244/74	D312,068 S *	11/1990	Moller	D12/319
D143,730 S *	2/1946	Hall et al.	244/74	D319,805 S *	9/1991	Wiegert	D12/319
D143,731 S *	2/1946	Hall et al.	244/74	D323,315 S *	1/1992	Haga	D12/328
D143,732 S *	2/1946	Hall et al.	244/74	5,078,339 A *	1/1992	Lapidot	B64C 3/56
D143,820 S *	2/1946	Hibbard et al.	244/13				244/49
D144,211 S *	3/1946	Northrop et al.	244/37	5,115,996 A *	5/1992	Moller	B64C 29/0025
D144,938 S *	6/1946	Schmued	244/36				239/265.19
D148,595 S *	2/1948	Thieblot	244/45 R	5,415,365 A *	5/1995	Ratliff	B64C 35/00
D157,645 S *	3/1950	Thieblot	D12/335				114/271
D159,110 S *	6/1950	Thieblot	244/13	5,503,352 A *	4/1996	Eger	B64C 39/068
D159,198 S *	7/1950	Greenwood et al.	D12/335				244/13
D160,841 S *	11/1950	Burnelli	244/13	D371,105 S *	6/1996	Graham	D12/319
D160,842 S *	11/1950	Burnelli	244/13	D381,952 S *	8/1997	Carter, Jr.	D12/327
D162,517 S *	3/1951	Burnelli	244/13	D392,937 S *	3/1998	Brichard	D12/319
D163,722 S *	6/1951	Vinje	244/2	D414,740 S *	10/1999	Margaritoff	D12/319
D164,371 S *	8/1951	Voque	D12/335	D418,805 S *	1/2000	Cycon	244/12.3
D164,843 S *	10/1951	Burnelli	D12/333	D431,522 S *	10/2000	Fujino	D12/337
2,752,114 A *	6/1956	Calvy	B60J 5/125	D442,540 S *	5/2001	Cellini	D12/308
			244/118.3	D446,182 S *	8/2001	Adam, Jr.	D12/319
D179,811 S *	3/1957	Messerschmid	D12/327	D466,858 S *	12/2002	Carroll	D12/337
D185,535 S *	6/1959	Coleman	D12/333	D467,533 S *	12/2002	Han	D12/319
D185,546 S *	6/1959	Geraci	244/45 R	D486,776 S *	2/2004	Carr	D12/319
D190,534 S *	6/1961	Smolinski	D12/330	D500,729 S *	1/2005	Wilding	D12/319
3,017,139 A *	1/1962	Binder	B64C 39/062	D500,981 S *	1/2005	Wilding	D12/319
			244/12.6	D543,248 S *	5/2007	Winston	D21/450
D192,195 S *	2/1962	Stepniewski	D12/330	D738,438 S *	9/2015	Cummings	D21/447
D192,337 S *	3/1962	Skaggs	D12/335	9,120,560 B1 *	9/2015	Armer	B64C 29/0008
D192,665 S *	4/1962	Stepniewski	D12/335	D743,868 S *	11/2015	Cummings	D12/328
3,049,320 A *	8/1962	Fletcher	B64C 29/0033	D763,733 S *	8/2016	Gattelli	D12/16.1
			244/12.4	9,783,288 B1 *	10/2017	Moore	B64C 27/322
D197,933 S *	4/1964	Sumner	D12/324	D810,621 S *	2/2018	Sadek	D12/16.1
D202,260 S *	9/1965	McConologue	D12/335	9,932,118 B2 *	4/2018	Bak	B64D 27/24
D203,283 S *	12/1965	Woods	244/13	10,124,890 B2 *	11/2018	Sada-Salinas	B64C 29/0025
D203,720 S *	2/1966	Jarchow	D12/335	10,183,744 B2 *	1/2019	Gamble	B64C 29/0025
D231,603 S *	5/1974	Krivka	D12/327	2012/0043413 A1 *	2/2012	Smith	B64C 29/0033
3,834,654 A *	9/1974	Miranda	B64C 39/068				244/12.4
			244/13	2017/0072755 A1 *	3/2017	Zhou	B64C 29/0075
				2017/0300067 A1 *	10/2017	Douglas	B64C 29/0025
				2018/0305007 A1 *	10/2018	Evulet	B64C 29/005

* cited by examiner

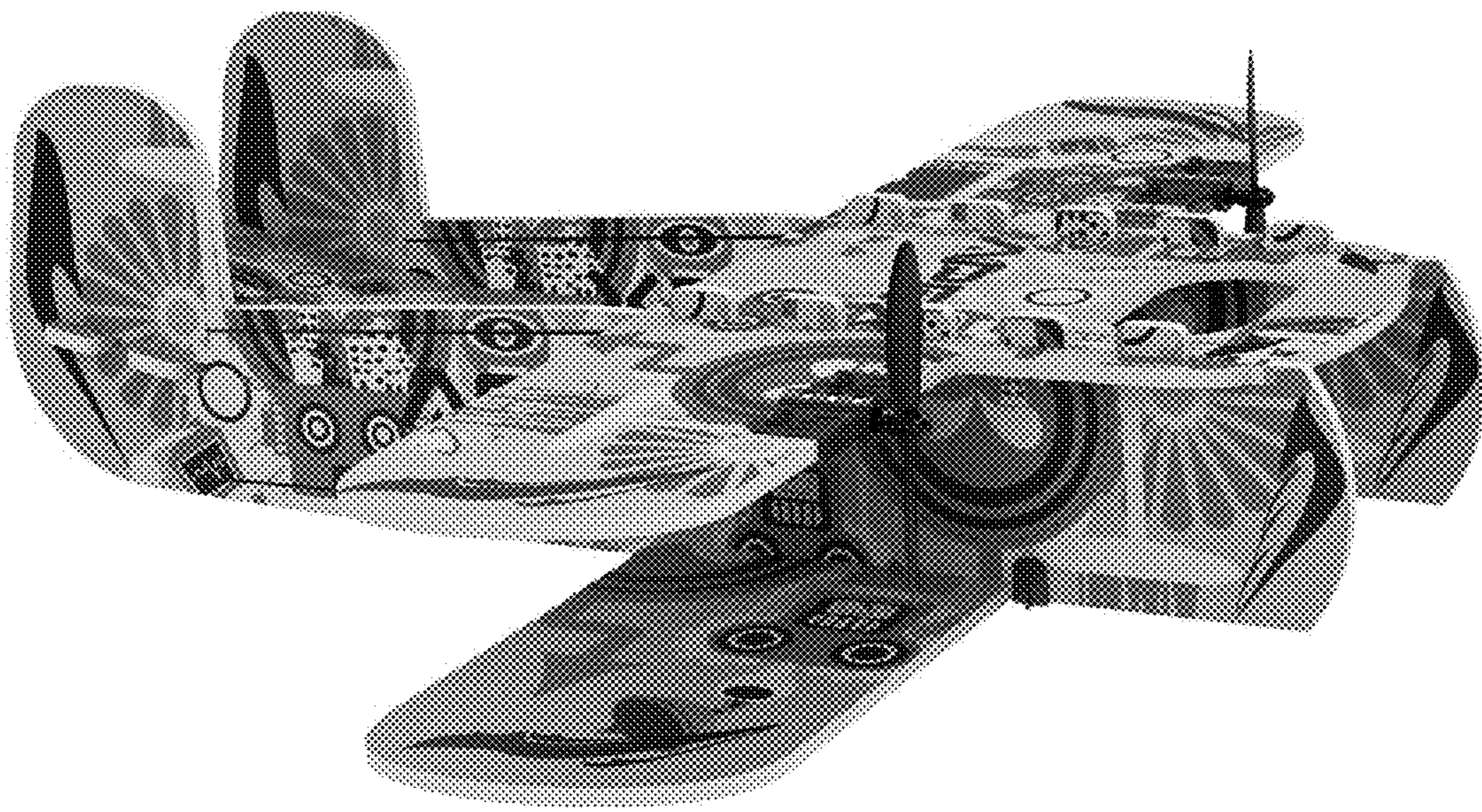


FIG. 1

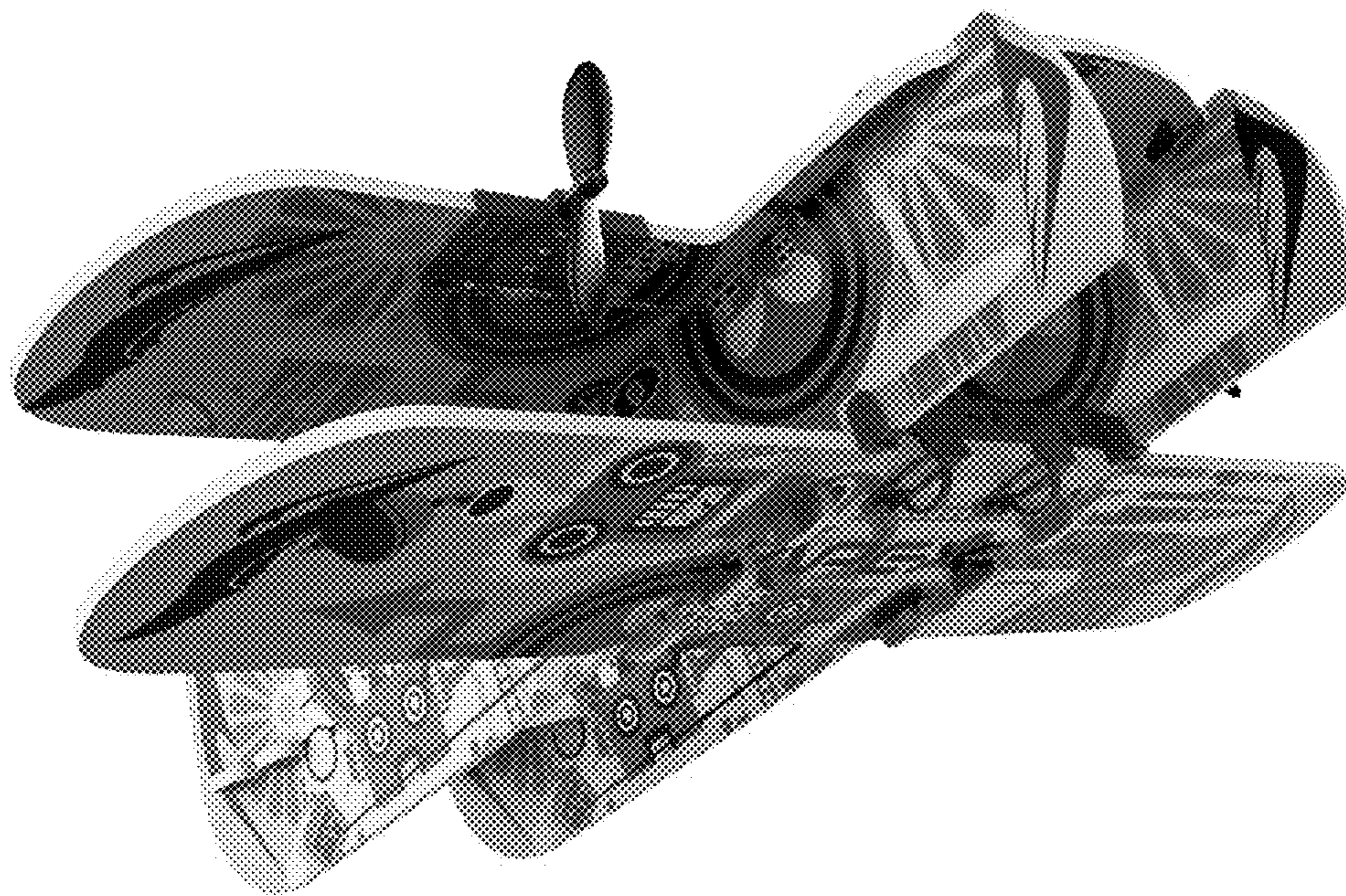


FIG. 2

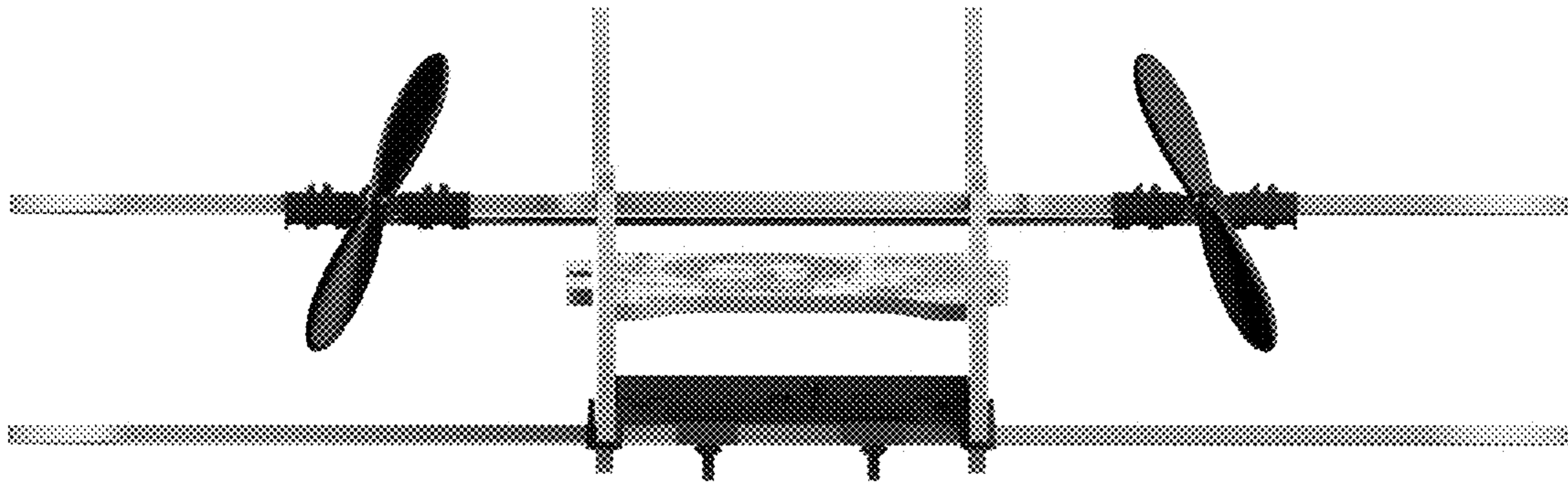


FIG. 3

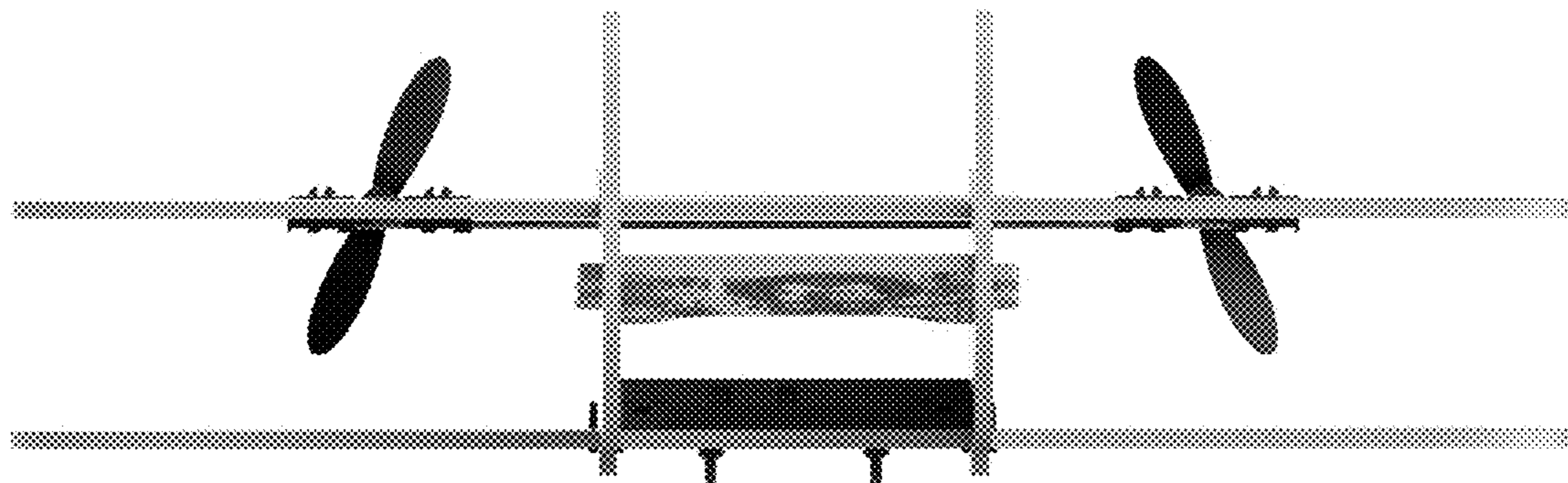


FIG. 4



FIG. 5

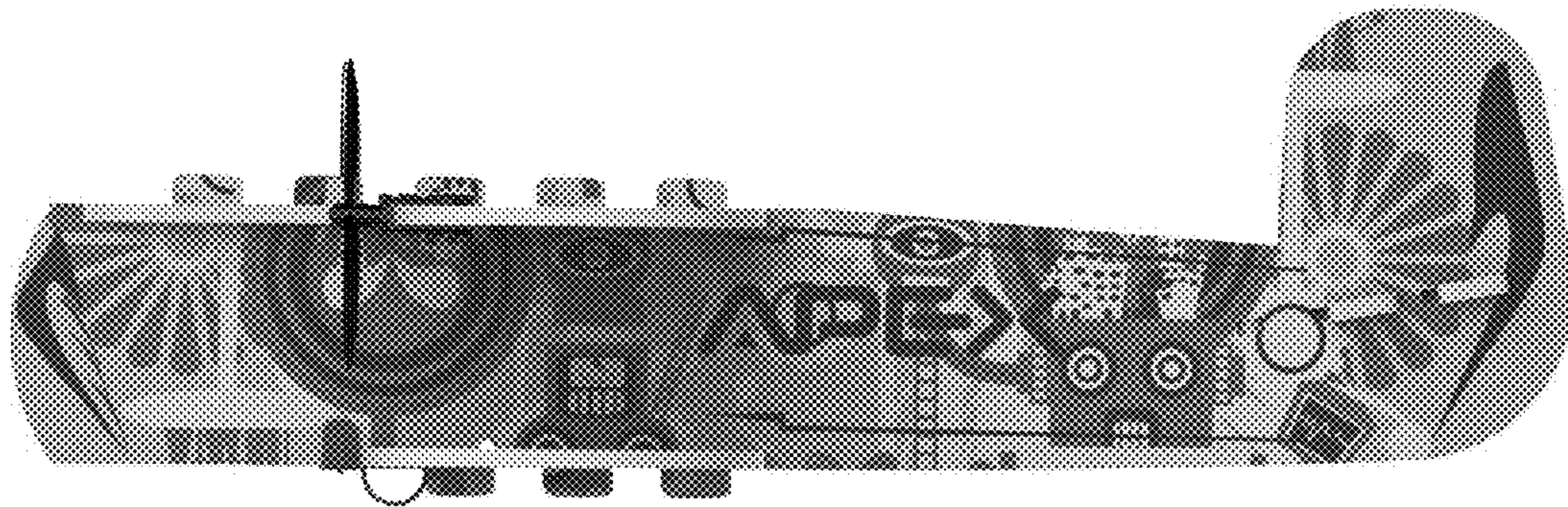


FIG. 6

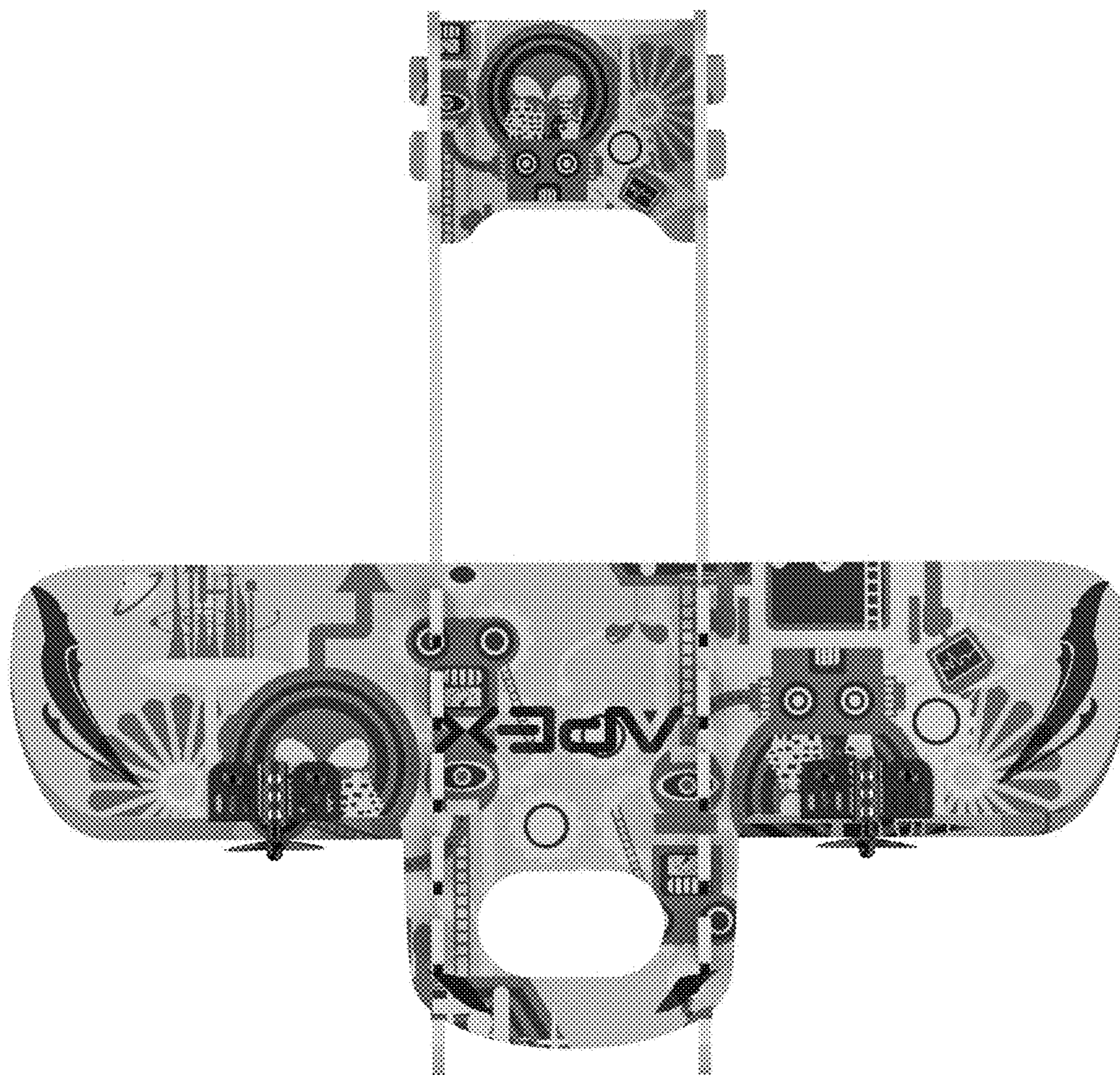


FIG. 7

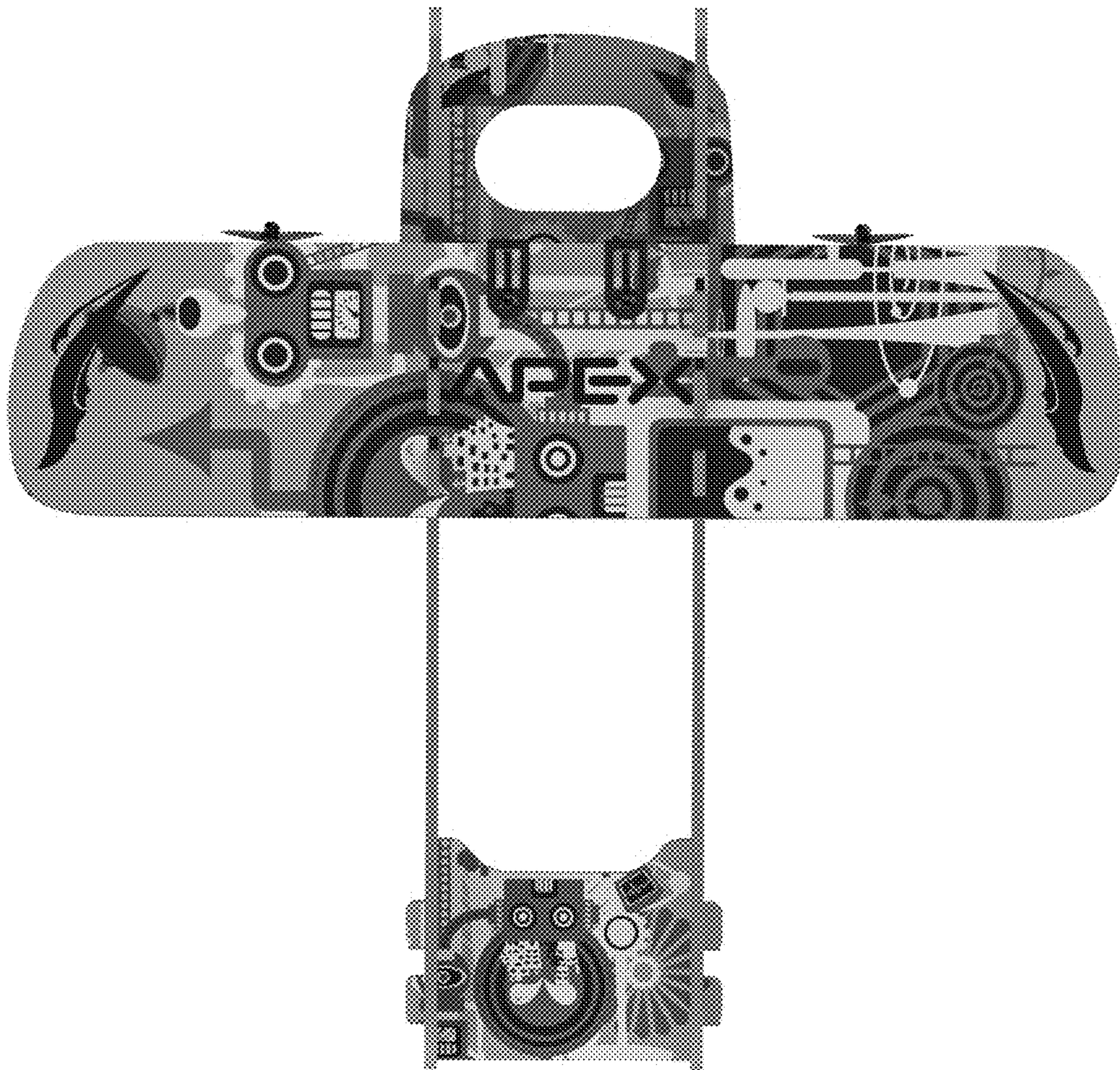


FIG. 8