



US00D875839S

(12) **United States Design Patent** (10) **Patent No.:** **US D875,839 S**
Chen (45) **Date of Patent:** **** Feb. 18, 2020**

- (54) **TOY ANIMAL FOR RIDING**
- (71) Applicant: **PonyCycle Inc.**, La Jolla, CA (US)
- (72) Inventor: **Bo Chen**, La Jolla, CA (US)
- (73) Assignee: **PonyCycle Inc.**, La Jolla, CA (US)
- (**) Term: **15 Years**
- (21) Appl. No.: **29/634,416**
- (22) Filed: **Jan. 22, 2018**
- (30) **Foreign Application Priority Data**

Nov. 17, 2017 (EM) 004510691-0004

- (51) **LOC (12) Cl.** **21-01**
- (52) **U.S. Cl.**
USPC **D21/416**; D12/203
- (58) **Field of Classification Search**
USPC D21/416, 429, 576, 591, 620; D12/114;
D3/324; D30/142
CPC A63G 13/06; A63G 19/00; A63G 13/08;
B68C 3/00; B68C 1/16; B68C 3/02;
B68C 2003/0041; B68C 2003/0091
See application file for complete search history.

(56) **References Cited**

U.S. PATENT DOCUMENTS

- D684,510 S * 6/2013 Nosworthy D12/174
- D723,984 S * 3/2015 Anderson D12/203
- D727,800 S * 4/2015 Bodah D12/114
- D731,384 S * 6/2015 Farr D12/203
- D737,188 S * 8/2015 Perkins D12/203
- D803,126 S * 11/2017 Foley D12/203
- D813,760 S * 3/2018 Johnson D12/174

- D822,570 S * 7/2018 Li D12/203
- D824,830 S * 8/2018 Wolf D12/203
- D827,536 S * 9/2018 Foley D12/203
- 2013/0270791 A1 * 10/2013 Anderson B60R 3/007
280/163
- 2014/0260125 A1 * 9/2014 Rehmeier B68C 1/16
54/46.1
- 2017/0297894 A1 * 10/2017 Fournier B68C 1/18
- 2018/0194612 A1 * 7/2018 Godoy B68C 3/00

OTHER PUBLICATIONS

https://www.amazon.com/PonyCycle-Official-Riding-Horse-K41-Urnicorn/dp/B07DL2RMGH/ref=sr_1_29?crd=2IIIEYE58IMCKV&keywords=unicorn+ride+on+toy&qid=1568404201&sprefix=unicorn+ri%2Caps%2C123&sr=8-29 (Year: 2018).*

* cited by examiner

Primary Examiner — Manpreet S Matharu
Assistant Examiner — Keith J Wilson
(74) *Attorney, Agent, or Firm* — Maier & Maier, PLLC

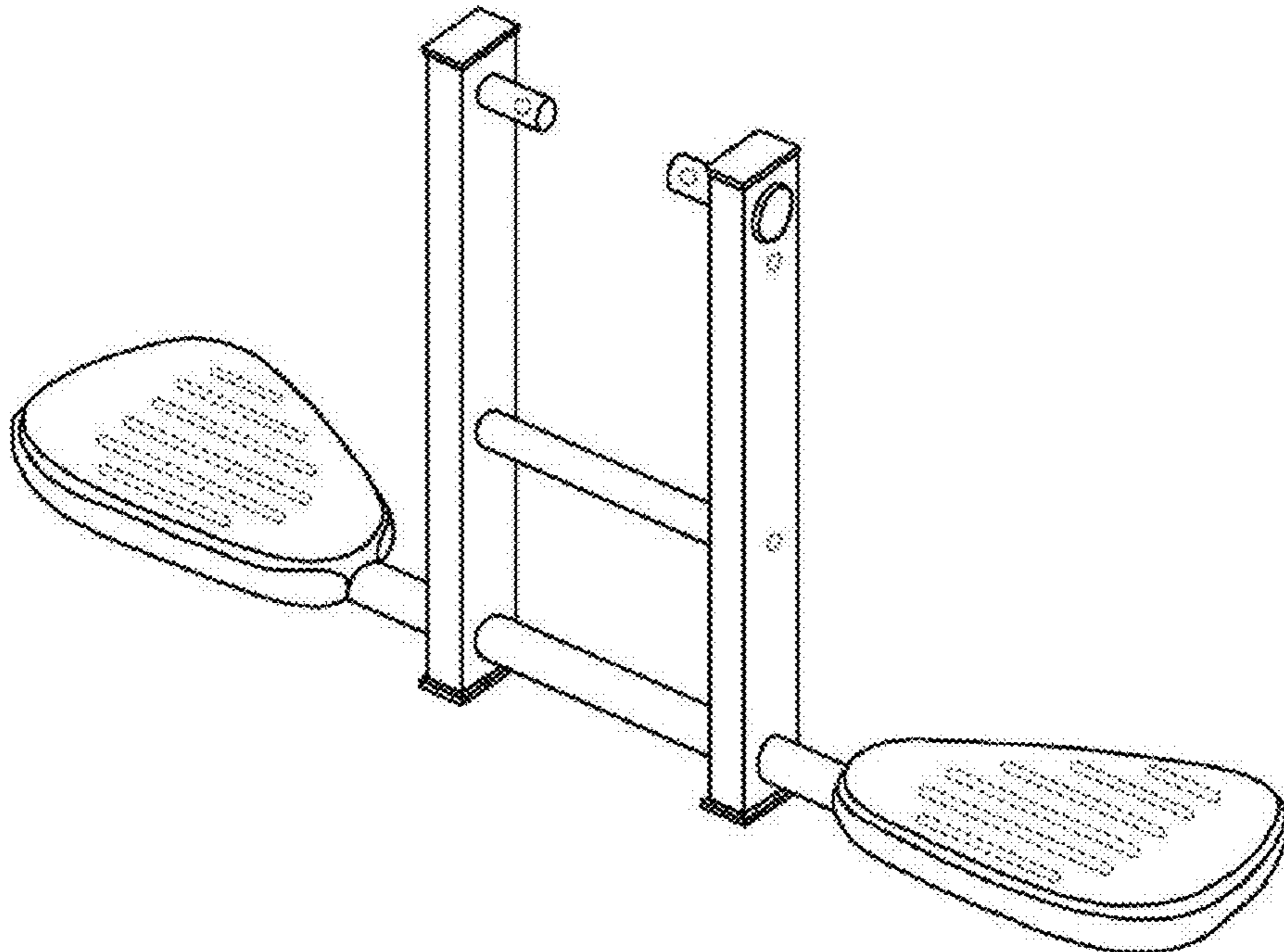
(57) **CLAIM**

The ornamental design for a toy animal for riding, as shown and described.

DESCRIPTION

FIG. 1 is a front perspective view of a toy animal for riding; FIG. 2 is a front view thereof; FIG. 3 is a right side view thereof; FIG. 4 is a left side view thereof; FIG. 5 is a top plan view thereof; FIG. 6 is a bottom plan view thereof; and, FIG. 7 is a second front perspective view thereof. The broken lines illustrate portions of the toy animal for riding that form no part of the claimed design.

1 Claim, 7 Drawing Sheets



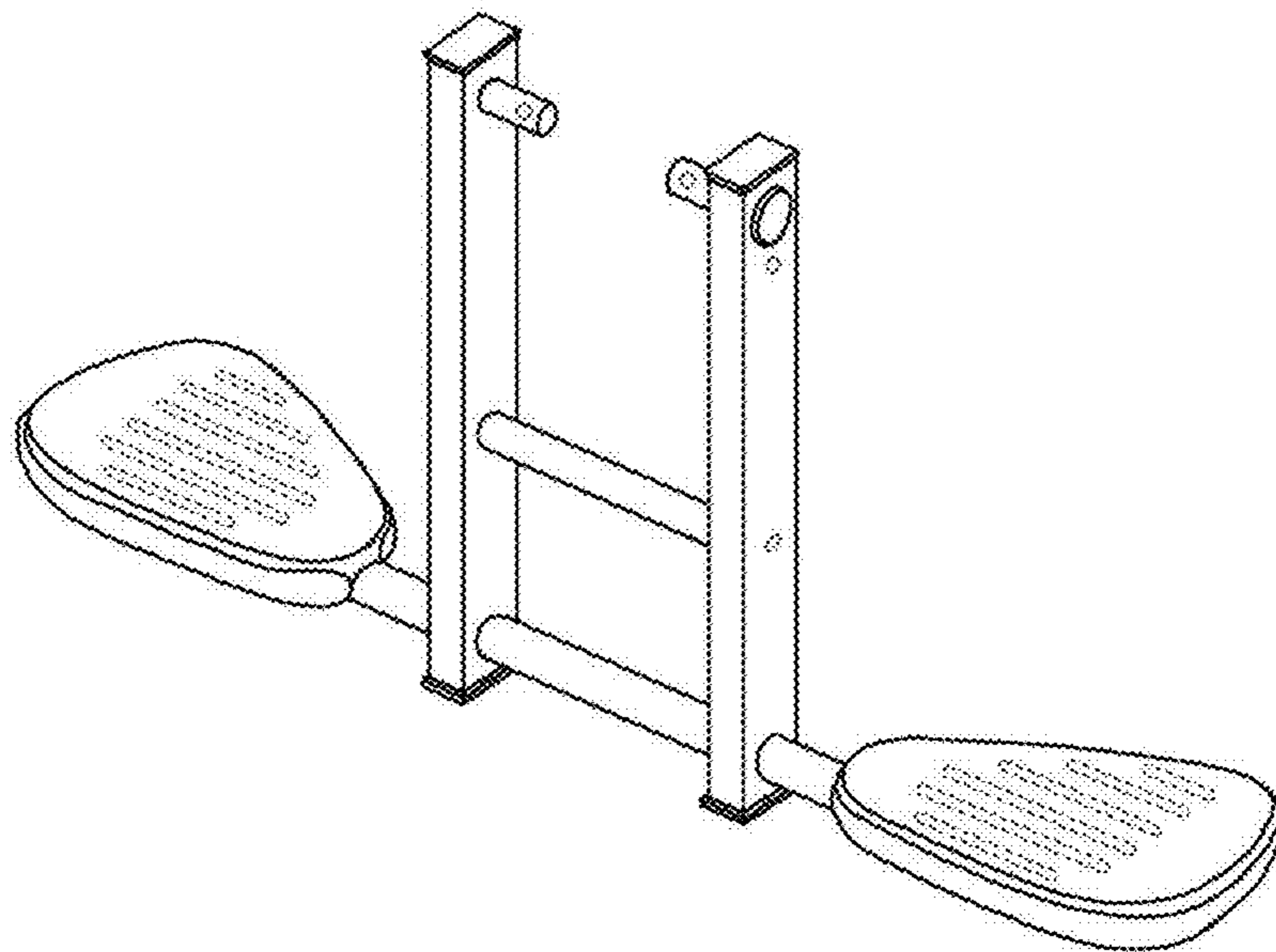


FIG. 1

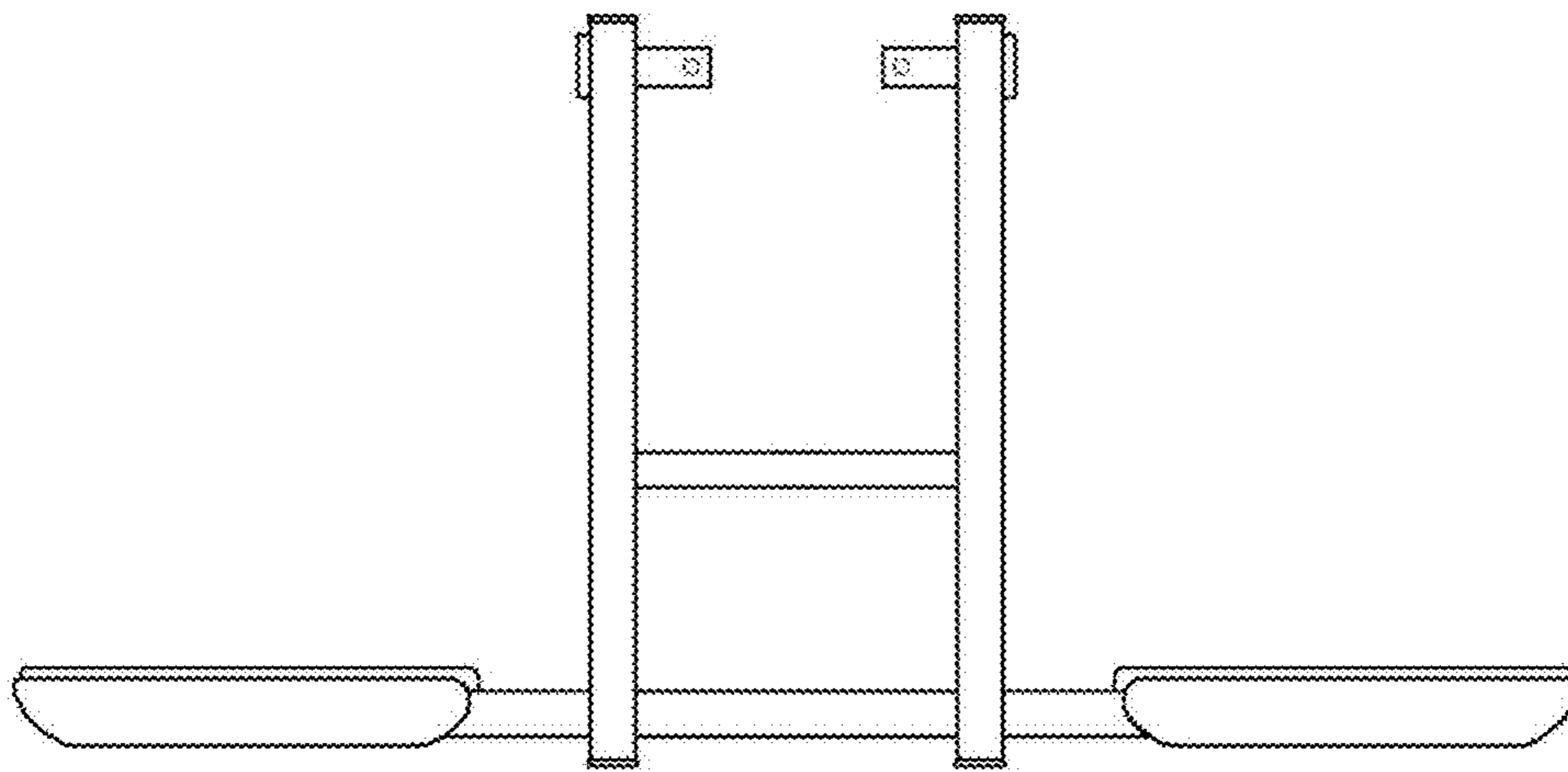


FIG. 2

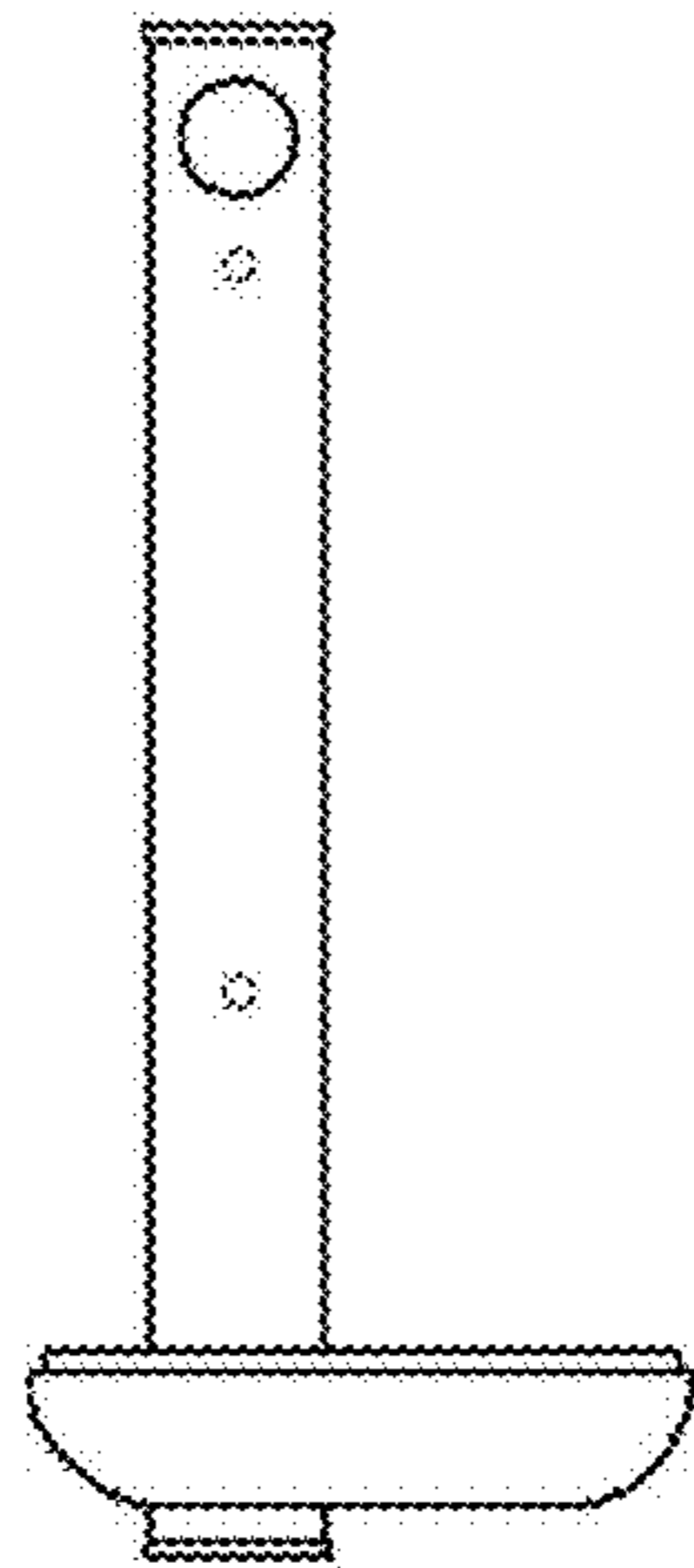


FIG. 3

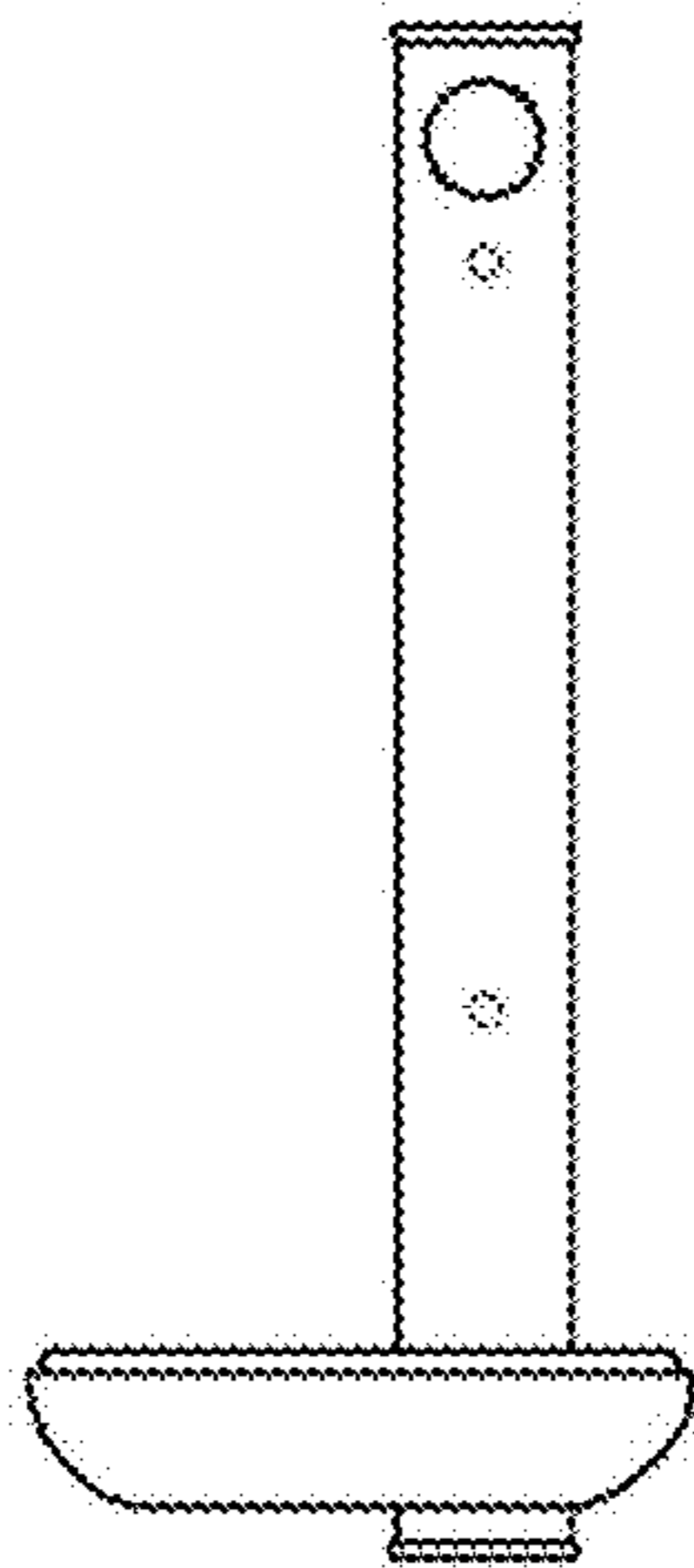


FIG. 4

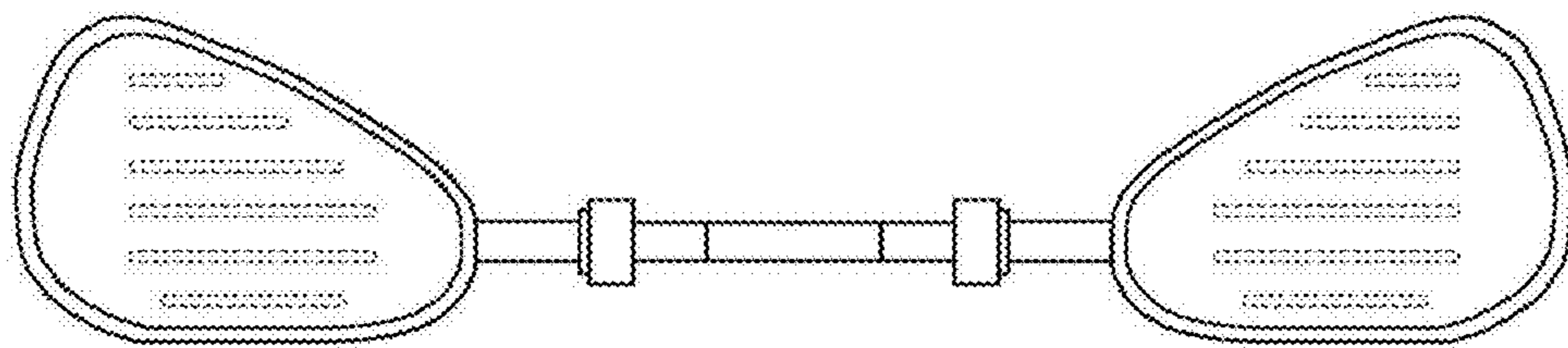


FIG. 5

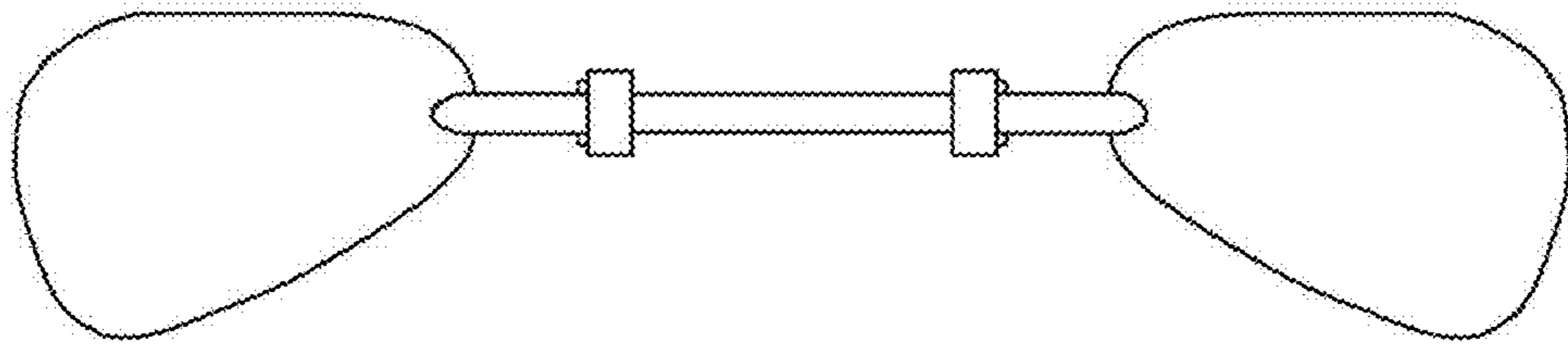


FIG. 6

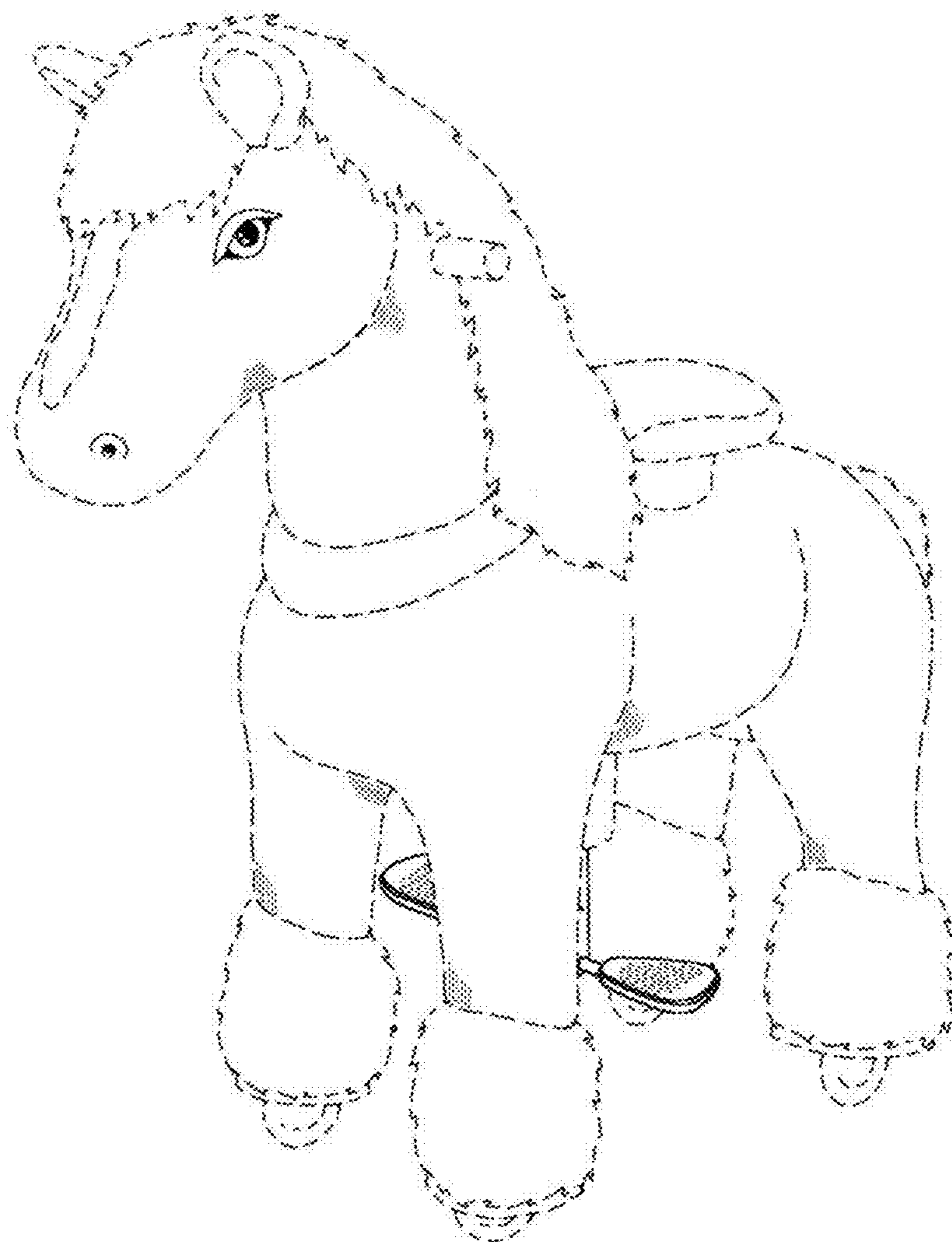


FIG. 7