



US00D875835S

(12) **United States Design Patent**
Yamamoto

(10) **Patent No.:** **US D875,835 S**

(45) **Date of Patent:** **** Feb. 18, 2020**

(54) **GAME CONTROLLER**

(71) Applicant: **Shigeki Yamamoto**, Yokohama (JP)

(72) Inventor: **Shigeki Yamamoto**, Yokohama (JP)

(**) Term: **15 Years**

(21) Appl. No.: **29/631,020**

(22) Filed: **Dec. 26, 2017**

(51) **LOC (12) Cl.** **21-01**

(52) **U.S. Cl.**
USPC **D21/333**

(58) **Field of Classification Search**

USPC D21/333; D14/160, 137, 138, 168, 174,
D14/217, 218, 356, 387, 388, 389, 400,
D14/401, 443, 449, 450, 454, 471, 474,
D14/483, 496, 511; D12/174, 177, 190,
D12/218; D13/164, 168; D18/19
CPC A63F 13/24; G06F 1/1666; H04N 7/14;
H04N 21/00

See application file for complete search history.

(56) **References Cited**

U.S. PATENT DOCUMENTS

D325,225 S * 4/1992 Adhida D14/401
D338,242 S * 8/1993 Cordell D14/401
D452,280 S * 12/2001 Ota D21/329
D453,536 S * 2/2002 Ota D21/329
D568,883 S * 5/2008 Ashida D14/400

D570,349 S * 6/2008 Ashida D14/400
D665,032 S * 8/2012 Sogabe D21/329
D711,474 S * 8/2014 Wikel D14/401
D715,362 S * 10/2014 He D14/401
D723,625 S * 3/2015 Wikel D21/333
D723,705 S * 3/2015 Mininger D24/200
D766,902 S * 9/2016 Bellinghausen D14/401
D783,095 S * 4/2017 Raina D14/401

* cited by examiner

Primary Examiner — Sandra S Snapp

Assistant Examiner — Mehri F Bajoul

(74) *Attorney, Agent, or Firm* — Cohen IP Law Group,
P.C.; Michael N. Cohen

(57) **CLAIM**

I claim the ornamental design for a game controller, as shown and described.

DESCRIPTION

FIG. 1 is a front top right perspective of a game controller showing my new design.

FIG. 2 is a front view of FIG. 1;

FIG. 3 is a back view of FIG. 1;

FIG. 4 is a top view of FIG. 1;

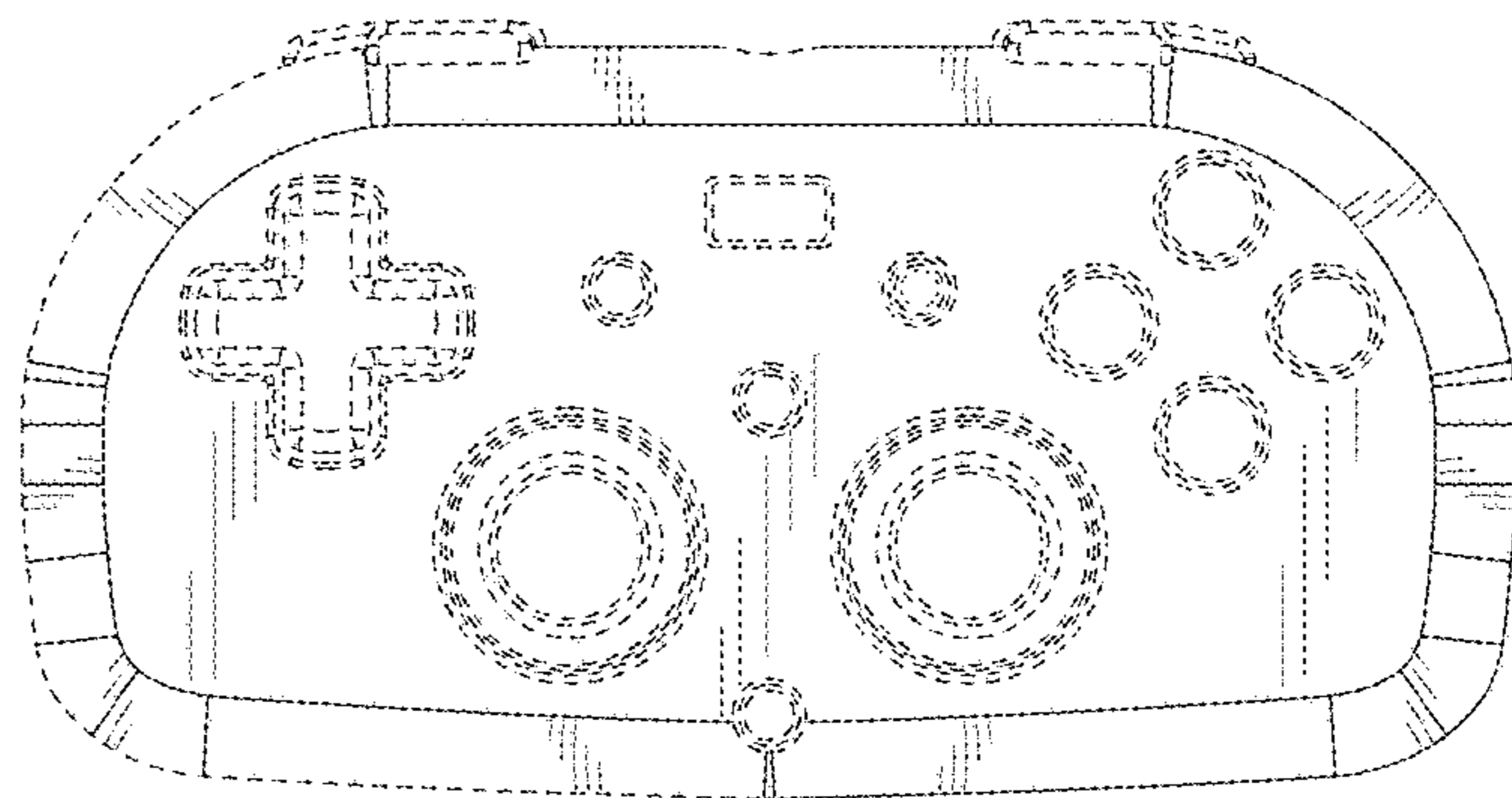
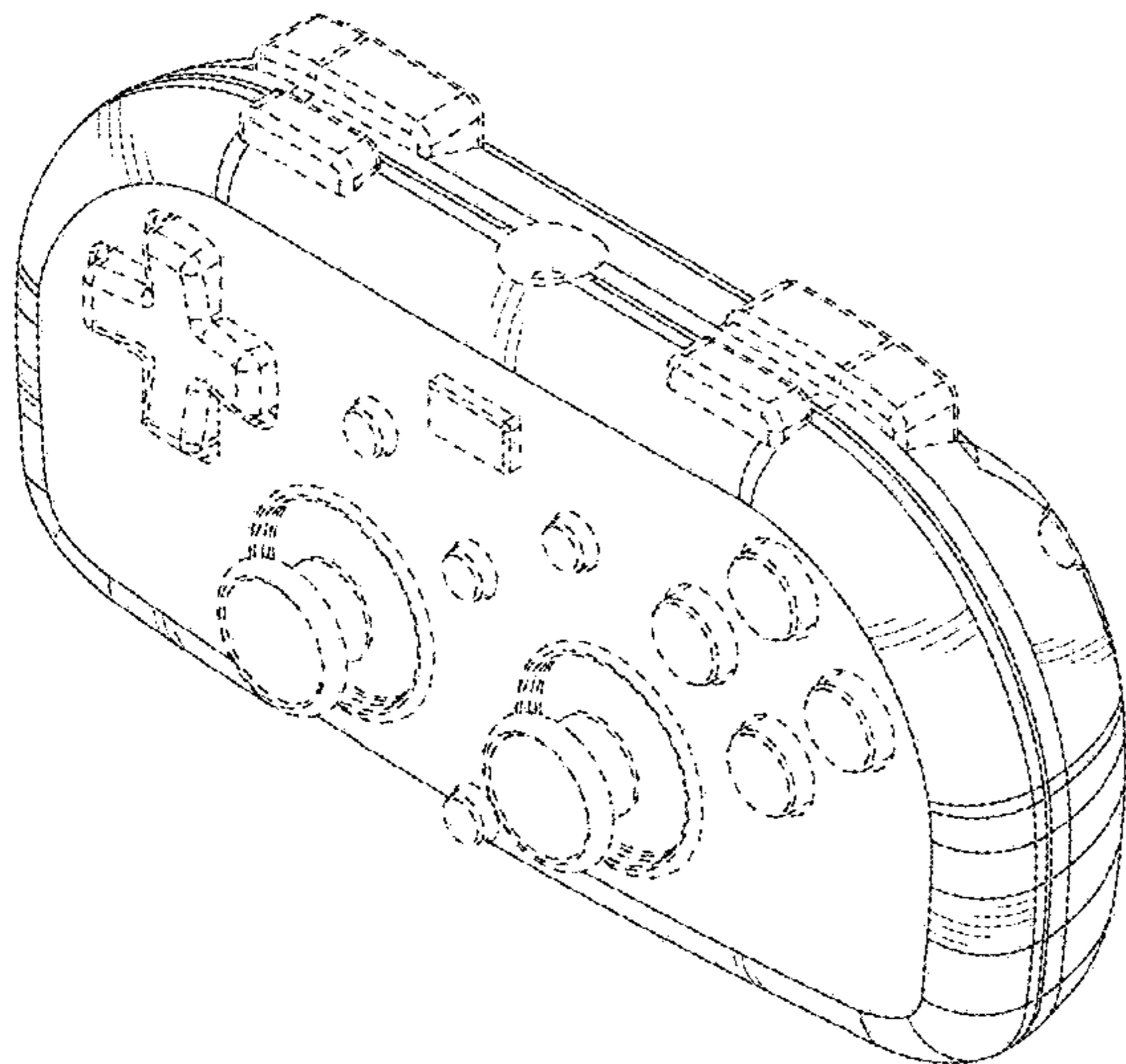
FIG. 5 is a bottom view of FIG. 1;

FIG. 6 is a right side view of FIG. 1; and,

FIG. 7 is a left side view of FIG. 1.

The broken lines shown in the drawings depict portions of the game controller that form no part of the claimed design.

1 Claim, 6 Drawing Sheets



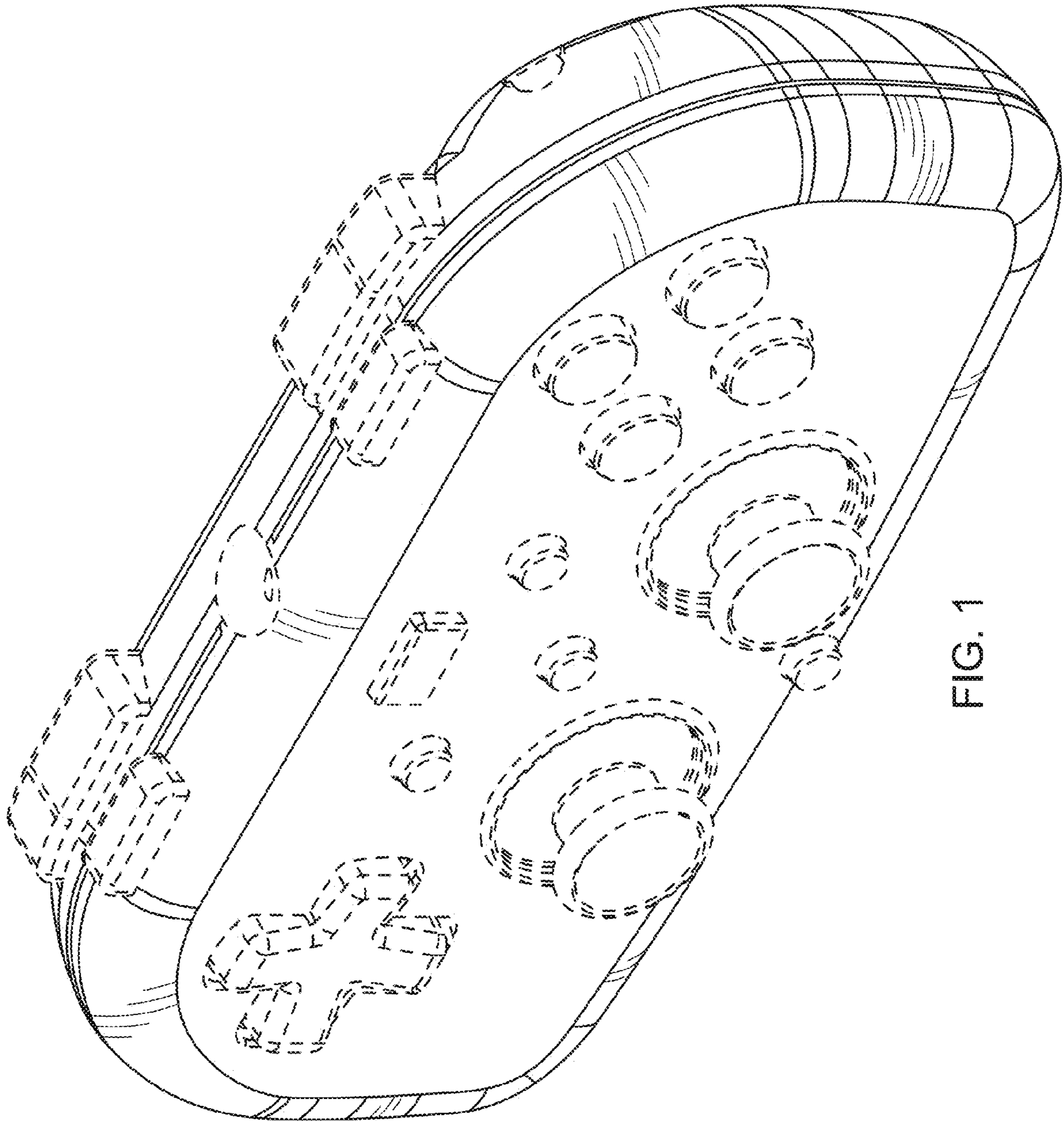


FIG. 1

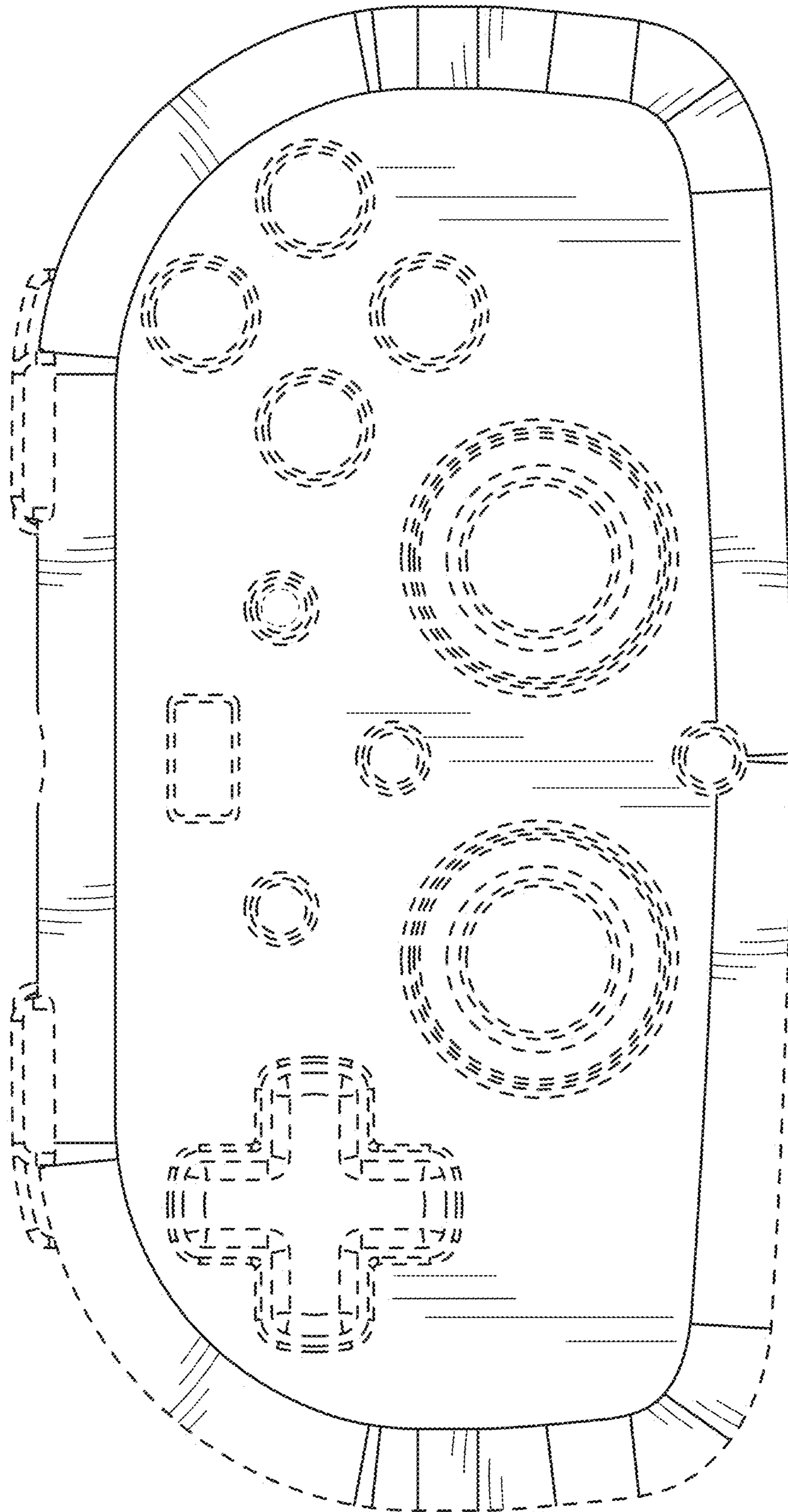


FIG. 2

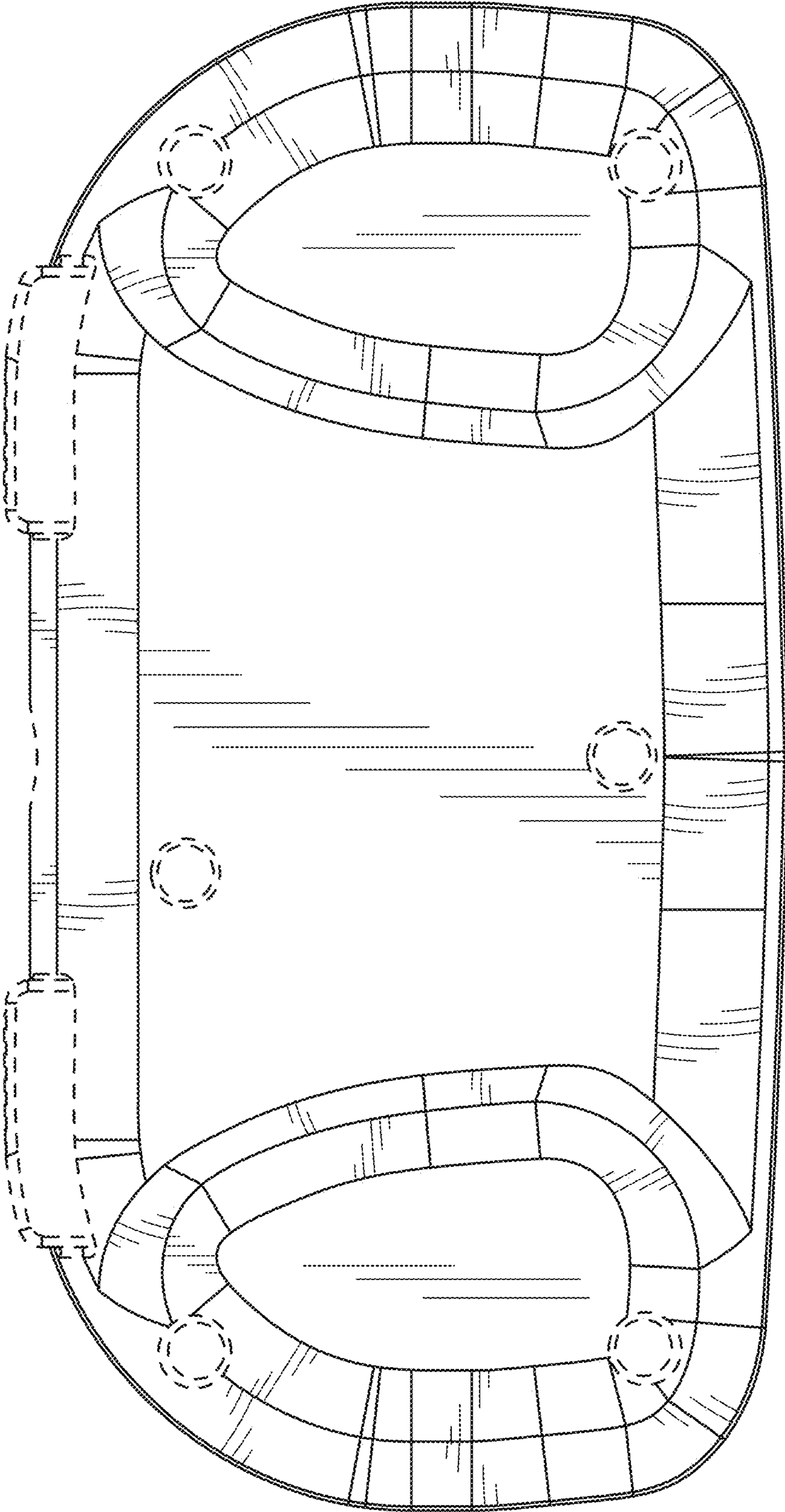


FIG. 3

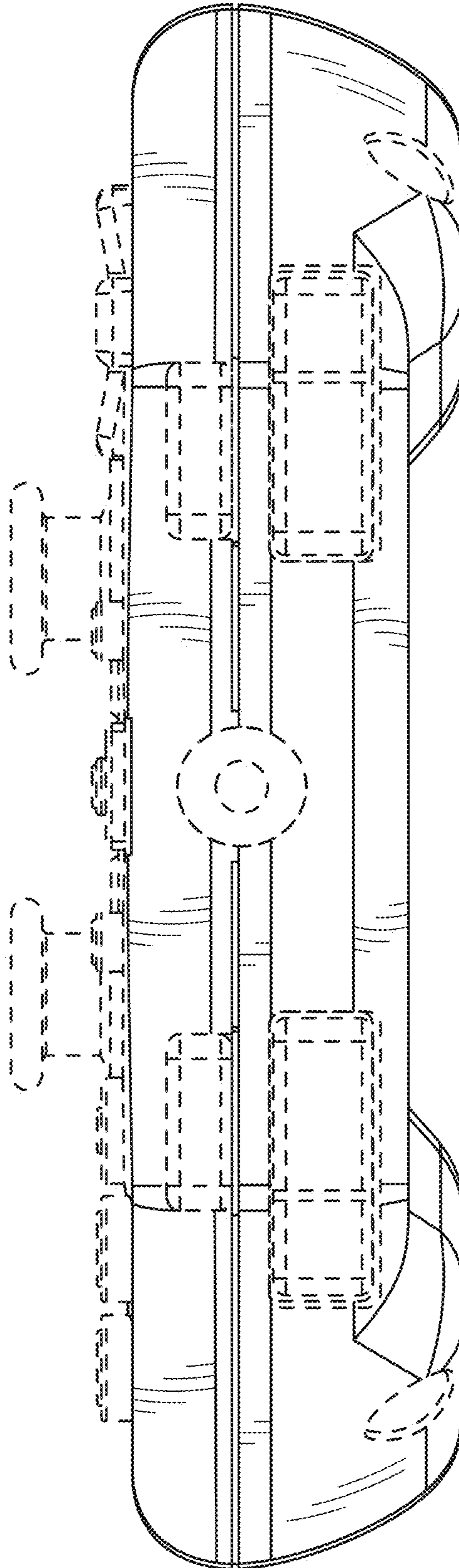


FIG. 4

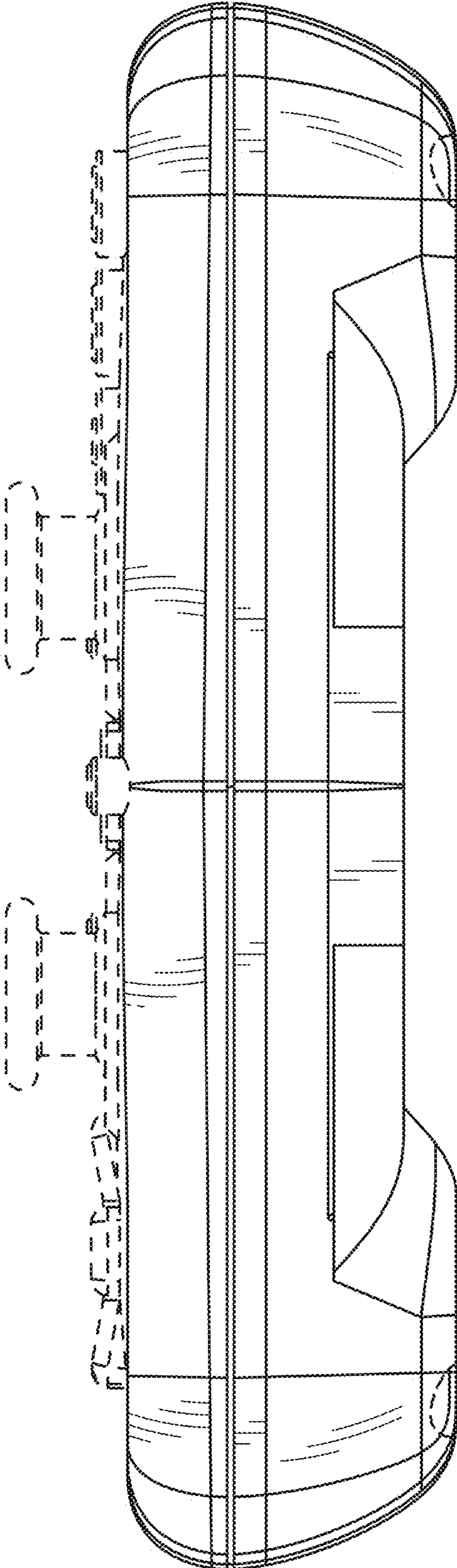


FIG. 5

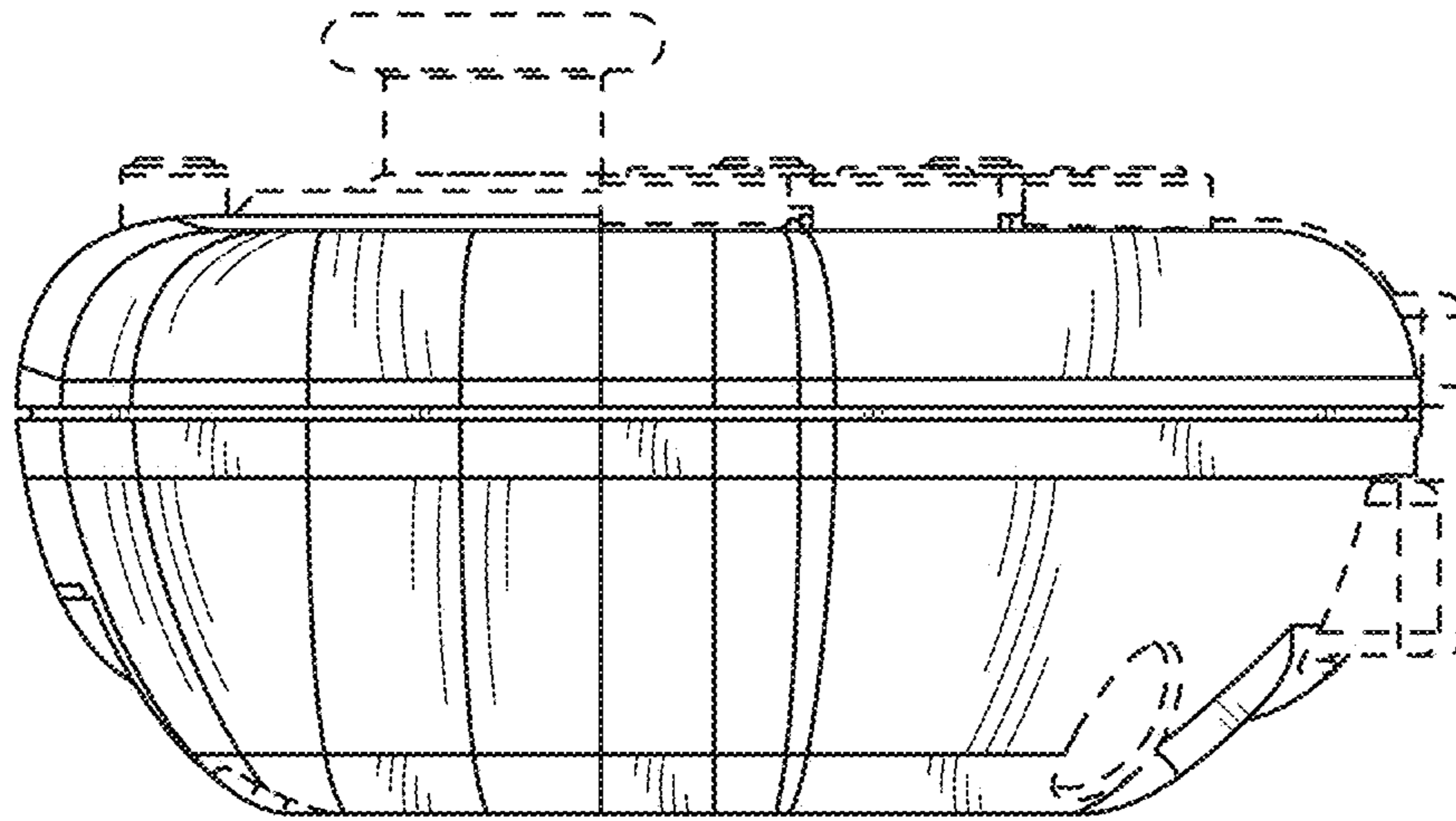


FIG. 6

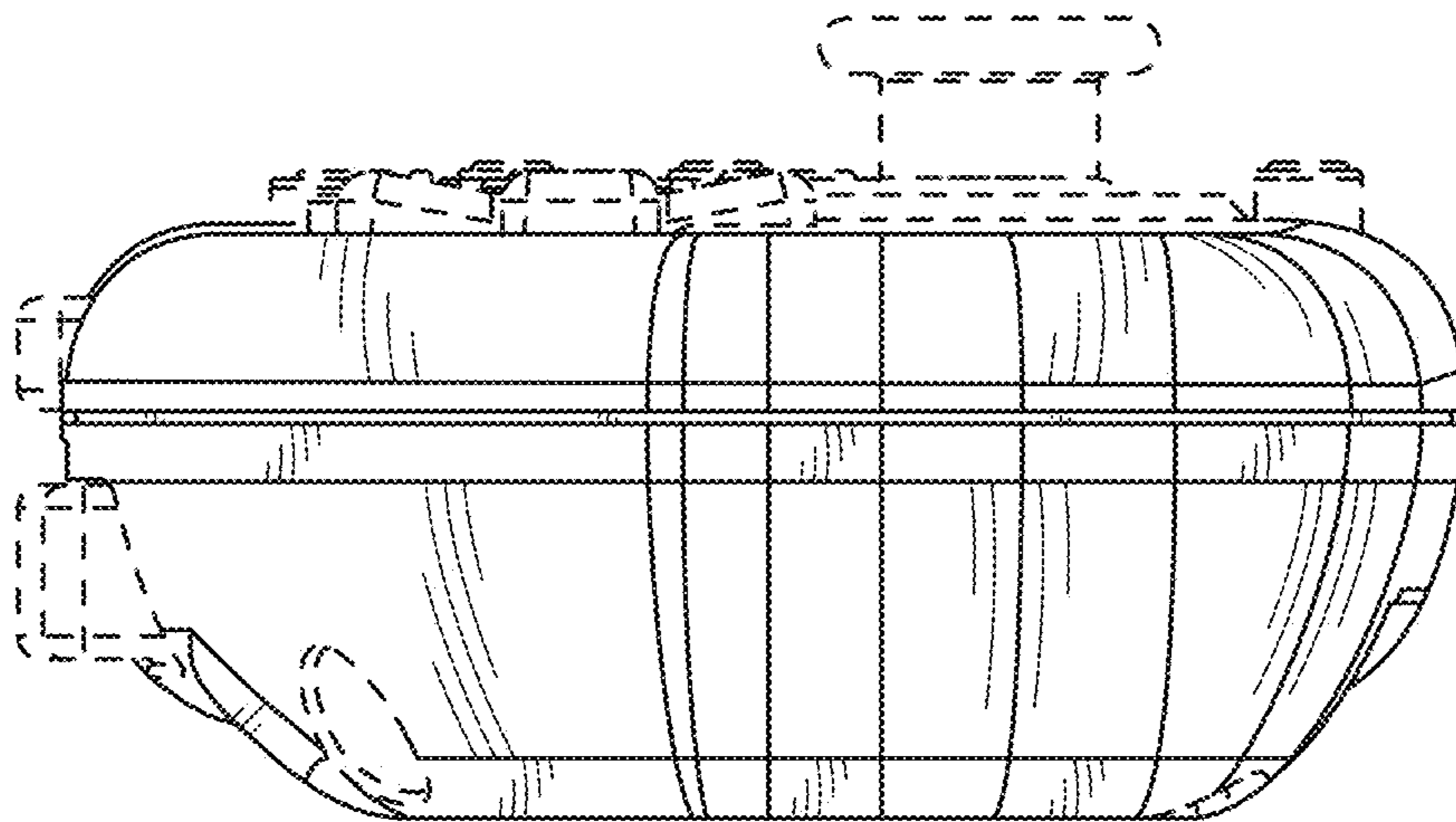


FIG. 7