

US00D875834S

(12) **United States Design Patent**
Tien

(10) **Patent No.:** **US D875,834 S**

(45) **Date of Patent:** **** Feb. 18, 2020**

(54) **PROTECTIVE COVER FOR ELECTRONIC GAME DEVICE**

(71) Applicant: **HON HAI PRECISION INDUSTRY CO., LTD.**, New Taipei (TW)

(72) Inventor: **Li-Wen Tien**, New Taipei (TW)

(73) Assignee: **HON HAI PRECISION INDUSTRY CO., LTD.**, New Taipei (TW)

(**) Term: **15 Years**

(21) Appl. No.: **29/602,721**

(22) Filed: **May 2, 2017**

(30) **Foreign Application Priority Data**

Nov. 9, 2016 (CN) 2016 3 0543616

(51) **LOC (12) Cl.** **21-01**

(52) **U.S. Cl.**
USPC **D21/333; D3/218; D14/454**

(58) **Field of Classification Search**
USPC D9/414, 416, 425, 434, 435, 436, 438, D9/439, 440, 442, 443, 446-450, D9/452-457, 499, 503-505, 682, 685, D9/686; D7/387, 391, 392, 392.1, 393, D7/394, 396.1-396.4, 401.1, 503-505, D7/509-511, 538, 900; D3/201, 202, D3/203.2, 318, 218; D28/91, 91.1; D18/56; D14/401, 454, 250; D21/333
CPC .. A61J 1/00; A61J 1/1412; B65D 1/00; B65D 1/02; B65D 1/10; B65D 1/46; B65D 2585/56; B65D 2585/545; B65D 41/00; B65D 41/38; B65D 41/56; B65D 41/62; B65D 47/00; B65D 47/06; B65D 47/08; B65D 2543/00046; B65D 2543/00092;

(Continued)

(56) **References Cited**

U.S. PATENT DOCUMENTS

D461,850 S * 8/2002 Hussaini D21/333
D575,056 S * 8/2008 Tan D3/218

(Continued)

Primary Examiner — Michael A. Pratt

Assistant Examiner — Wendy L Armino

(74) *Attorney, Agent, or Firm* — ScienBiziP, P.C.

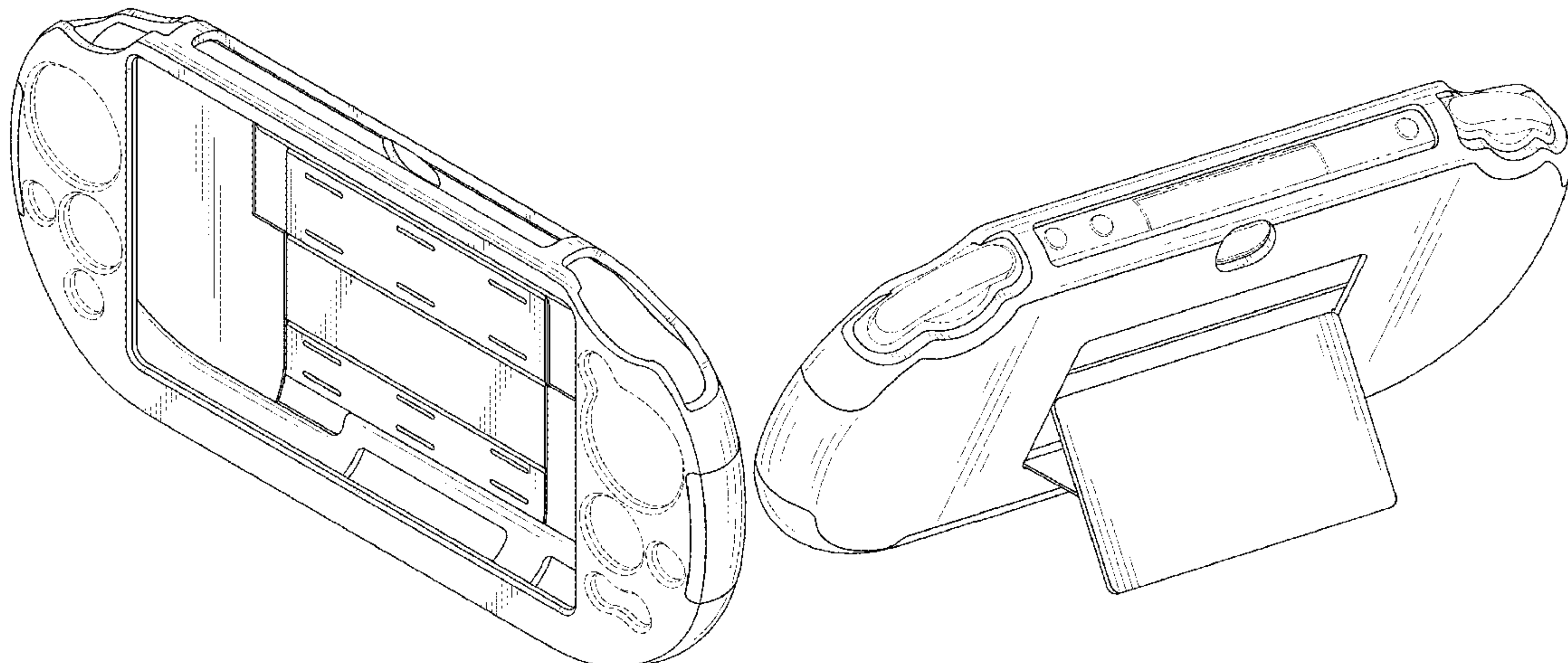
(57) **CLAIM**

I claim the ornamental design for a protective cover for electronic game device, as shown and described.

DESCRIPTION

FIG. 1 is a front perspective view of a protective cover for electronic game device showing my design;
FIG. 2 is a front elevational view of the protective cover for electronic game device;
FIG. 3 is a rear elevational view of the protective cover for electronic game device;
FIG. 4 is a left side elevational view of the protective cover for electronic game device;
FIG. 5 is a right side elevational view of the protective cover for electronic game device;
FIG. 6 is a top plan view of the protective cover for electronic game device;
FIG. 7 is a bottom plan view of the protective cover for electronic game device; and,
FIG. 8 is a rear perspective view of the protective cover for electronic game device shown in a position of use with the stand feature in an extended position and illustrated on an unclaimed electronic game device drawn in broken lines. The dot-dot-dash broken lines illustrating an electronic game device in FIG. 8 depict environment and form no part of the claimed design. All other broken lines in the drawings depict portions of the protective cover for electronic game

(Continued)



device that form no part of the claimed design. The broken lines and unshaded regions bounded by broken lines form no part of the claimed design.

1 Claim, 8 Drawing Sheets

(58) **Field of Classification Search**

CPC B65D 2543/00296; B65D 5/46; B65D
2251/00

See application file for complete search history.

(56)

References Cited

U.S. PATENT DOCUMENTS

D582,149	S	*	12/2008	Tan	D3/218
D597,089	S	*	7/2009	Khan	D3/201
D609,463	S	*	2/2010	Bullen	D3/218
D624,129	S	*	9/2010	Lim	D21/333
D632,341	S	*	2/2011	Lim	D21/333
D648,119	S	*	11/2011	Jertson	D3/218
D664,601	S	*	7/2012	Sogabe	D14/401
D697,140	S	*	1/2014	Baum	D21/333
D705,362	S	*	5/2014	Satake	D21/333
D709,690	S	*	7/2014	Zhang	D3/218
D719,614	S	*	12/2014	Baum	D14/401
D740,885	S	*	10/2015	Nokuo	D14/401
D741,952	S	*	10/2015	Nokuo	D14/401
D768,785	S	*	10/2016	Kim	D21/333
D780,167	S	*	2/2017	Tien	D14/250
D810,065	S	*	2/2018	Tien	D14/250
D822,767	S	*	7/2018	Tien	D21/333
2018/0212637	A1	*	7/2018	Tien	H04B 1/3888

* cited by examiner

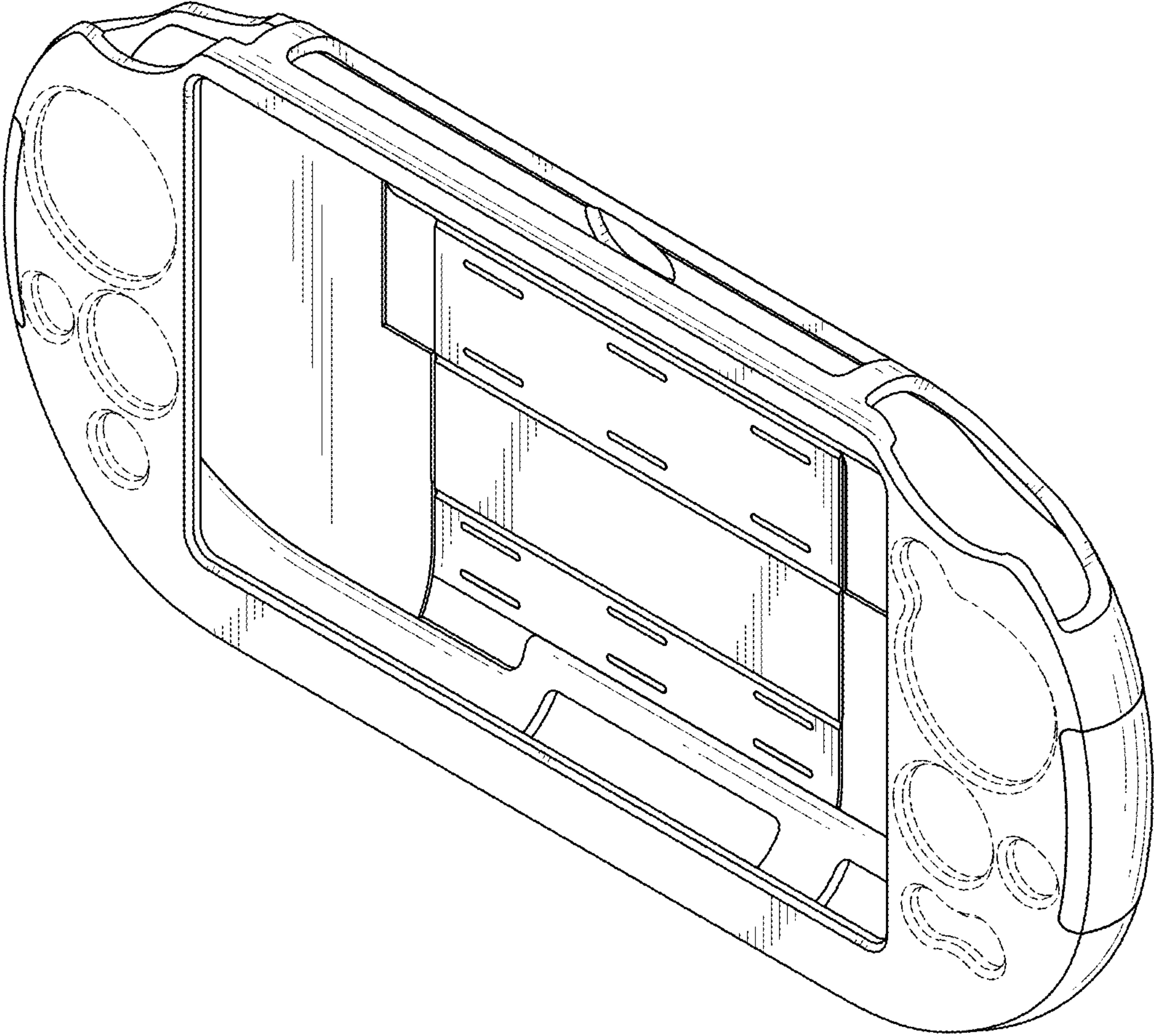


FIG. 1

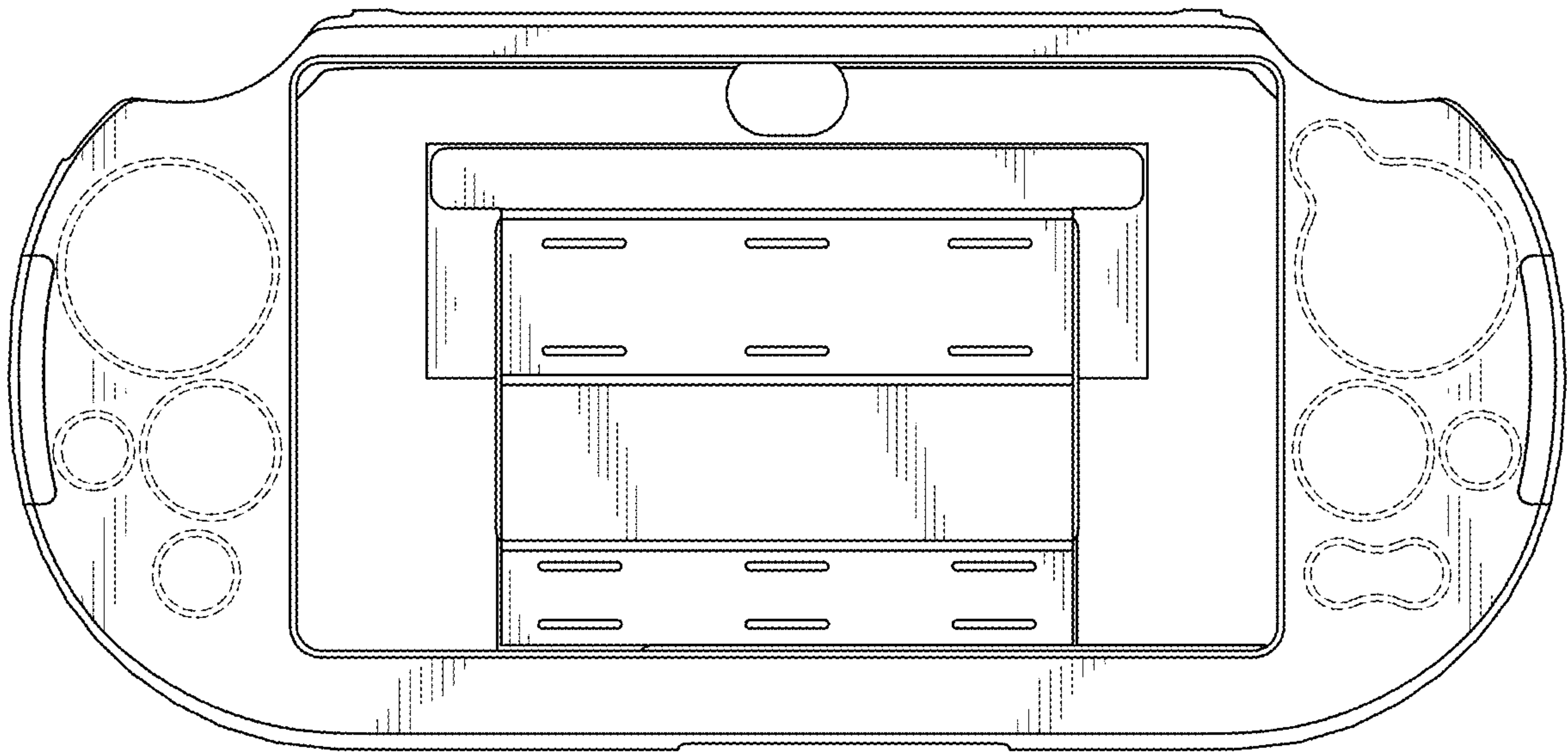


FIG. 2

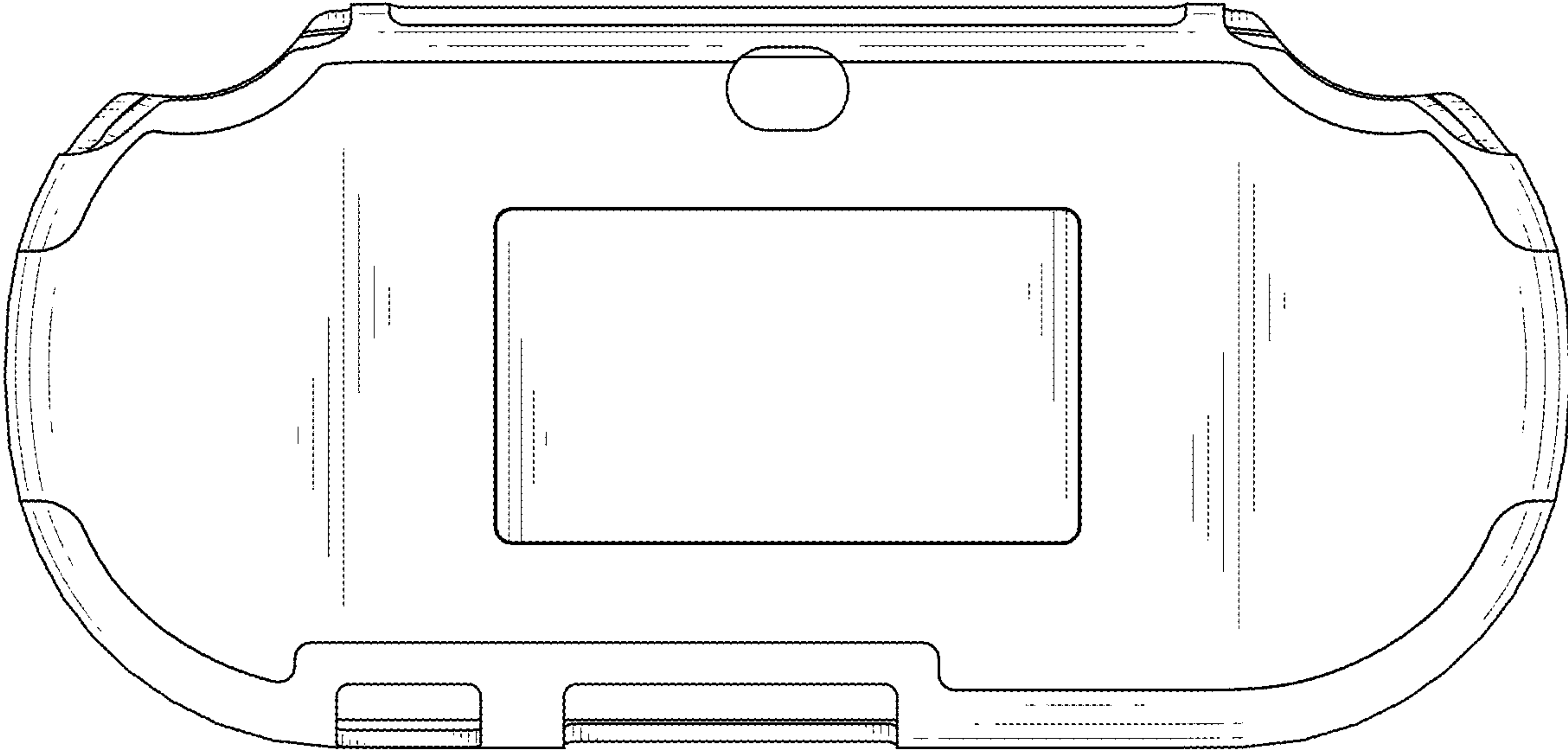


FIG. 3

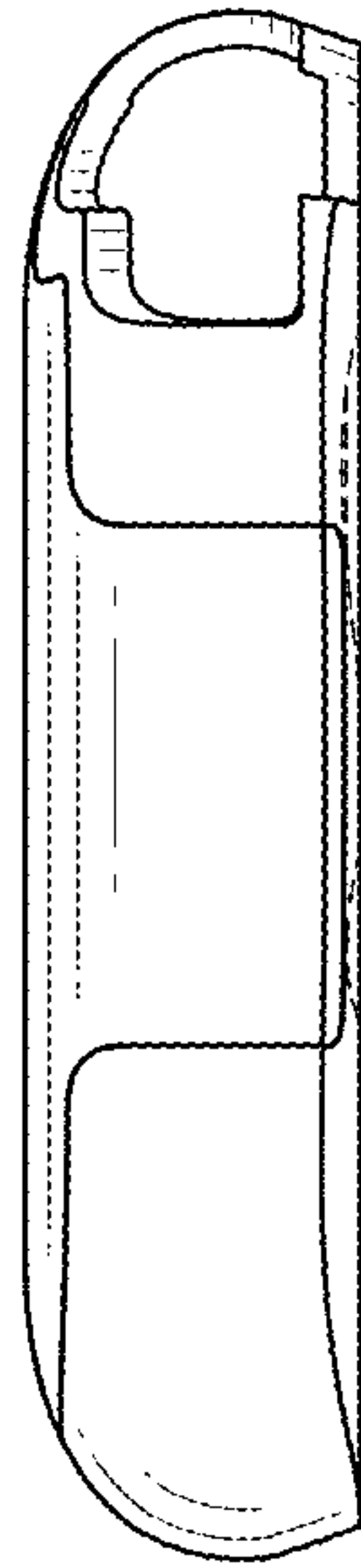


FIG. 4

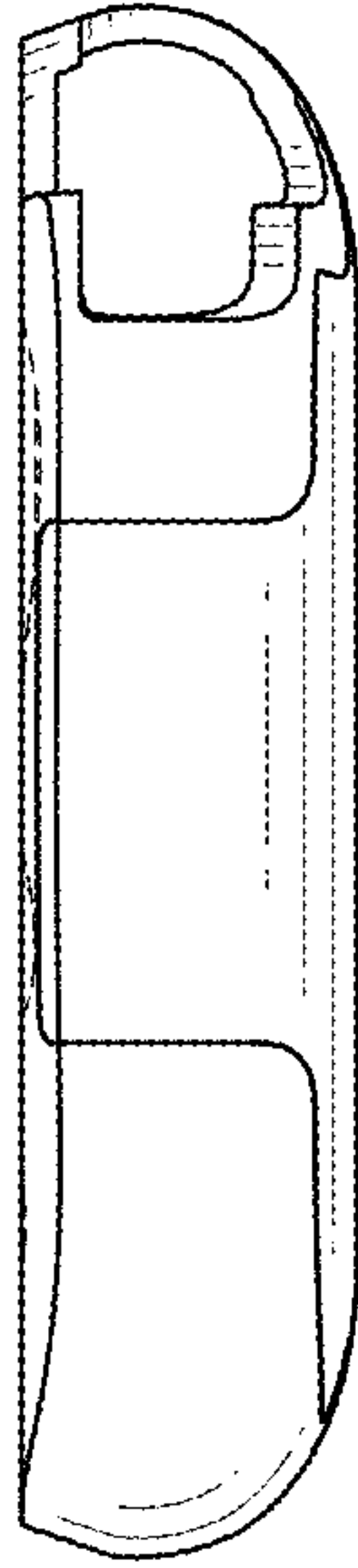


FIG. 5

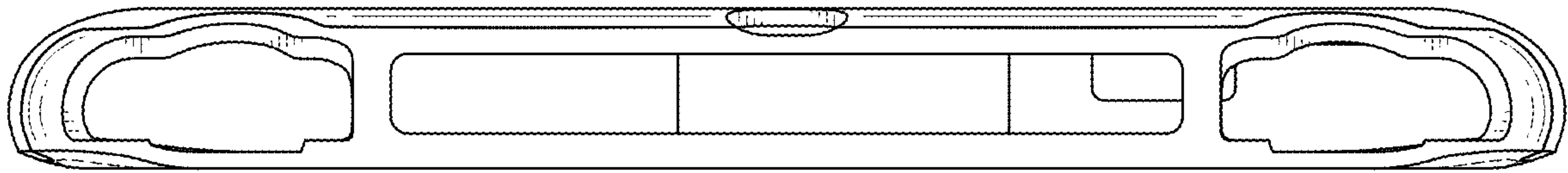


FIG. 6

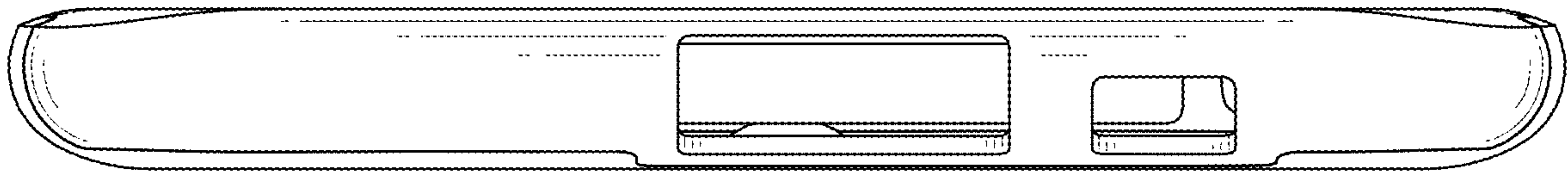


FIG. 7

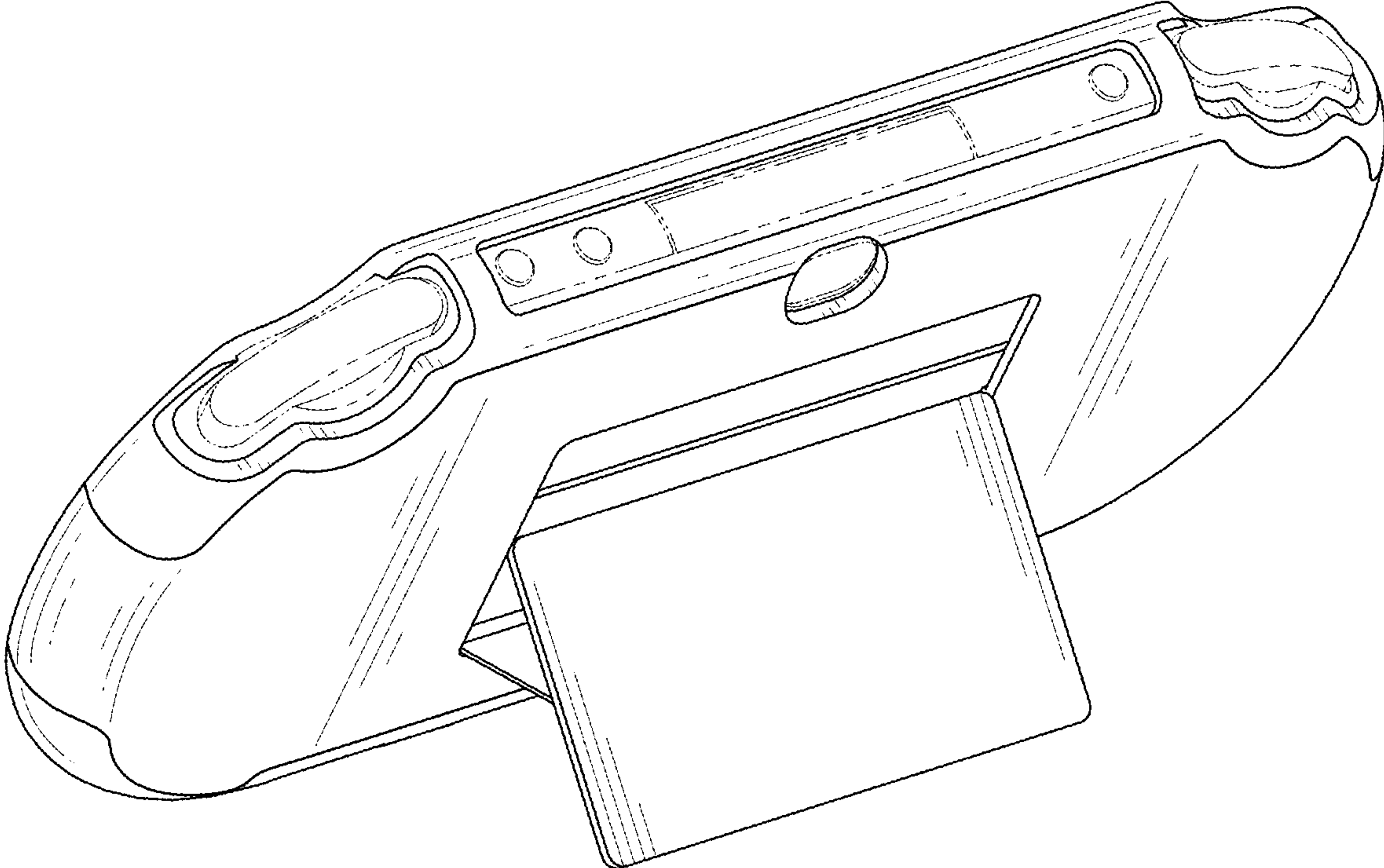


FIG. 8