



US00D875831S

(12) **United States Design Patent**
Jiang

(10) **Patent No.:** **US D875,831 S**

(45) **Date of Patent:** **** Feb. 18, 2020**

- (54) **BOARD**
- (71) Applicant: **Zhuhai Enotepad Technology Co., Ltd, Zhuhai (CN)**
- (72) Inventor: **Kun Jiang, Zhuhai (CN)**
- (73) Assignee: **Zhuhai Enotepad Technology Co., Ltd, Zhuhai (CN)**
- (**) Term: **15 Years**
- (21) Appl. No.: **29/648,633**
- (22) Filed: **May 23, 2018**
- (51) **LOC (12) Cl.** **19-06**
- (52) **U.S. Cl.**
USPC **D19/113**
- (58) **Field of Classification Search**
USPC D19/75, 91, 20-24, 113, 114; D20/10, D20/39, 40, 41, 42; D25/140, 141; D10/61; D6/310, 311, 643, 683
CPC B43L 1/00; B43L 1/008; B43L 1/08; B43L 1/04; B43L 5/00; B43L 5/02; G09F 1/12; G09F 15/00; G09F 15/0006; G09F 15/0062; G09F 15/0068; G09F 15/0012; G09F 2007/1834; G09F 2007/1856
See application file for complete search history.

- (56) **References Cited**
U.S. PATENT DOCUMENTS
723,340 A * 3/1903 Tompkins B43L 1/00 434/415
3,055,113 A * 9/1962 Grandjean G09B 11/00 33/18.1
4,669,984 A * 6/1987 Jones G09B 11/04 434/85
5,263,866 A * 11/1993 Campbell A63F 3/00533 434/247
5,333,387 A * 8/1994 Ankenbruck B43L 13/046 33/1 M

- D359,984 S * 7/1995 Mak D14/390
- 5,674,104 A * 10/1997 Ohashi B43K 23/04 401/206
- 5,820,385 A * 10/1998 Ohashi B43L 1/008 434/409
- 5,867,914 A * 2/1999 Watson B43L 1/00 33/18.1
- D419,190 S * 1/2000 Mak D21/469
- D419,599 S * 1/2000 Mak D21/469
- 6,092,294 A * 7/2000 Mak B43L 1/008 33/18.1
- D443,304 S * 6/2001 Mak D21/469
- D498,269 S * 11/2004 Shirai D21/469
- D521,557 S * 5/2006 Fedorov D19/113
- D530,926 S * 10/2006 Sellers D6/300
- D550,280 S * 9/2007 Russo D18/59
- 7,293,993 B2 * 11/2007 Fedorov G09F 7/04 434/408

(Continued)

Primary Examiner — Elizabeth A. Albert
(74) *Attorney, Agent, or Firm* — ScienBiziP, P.C.

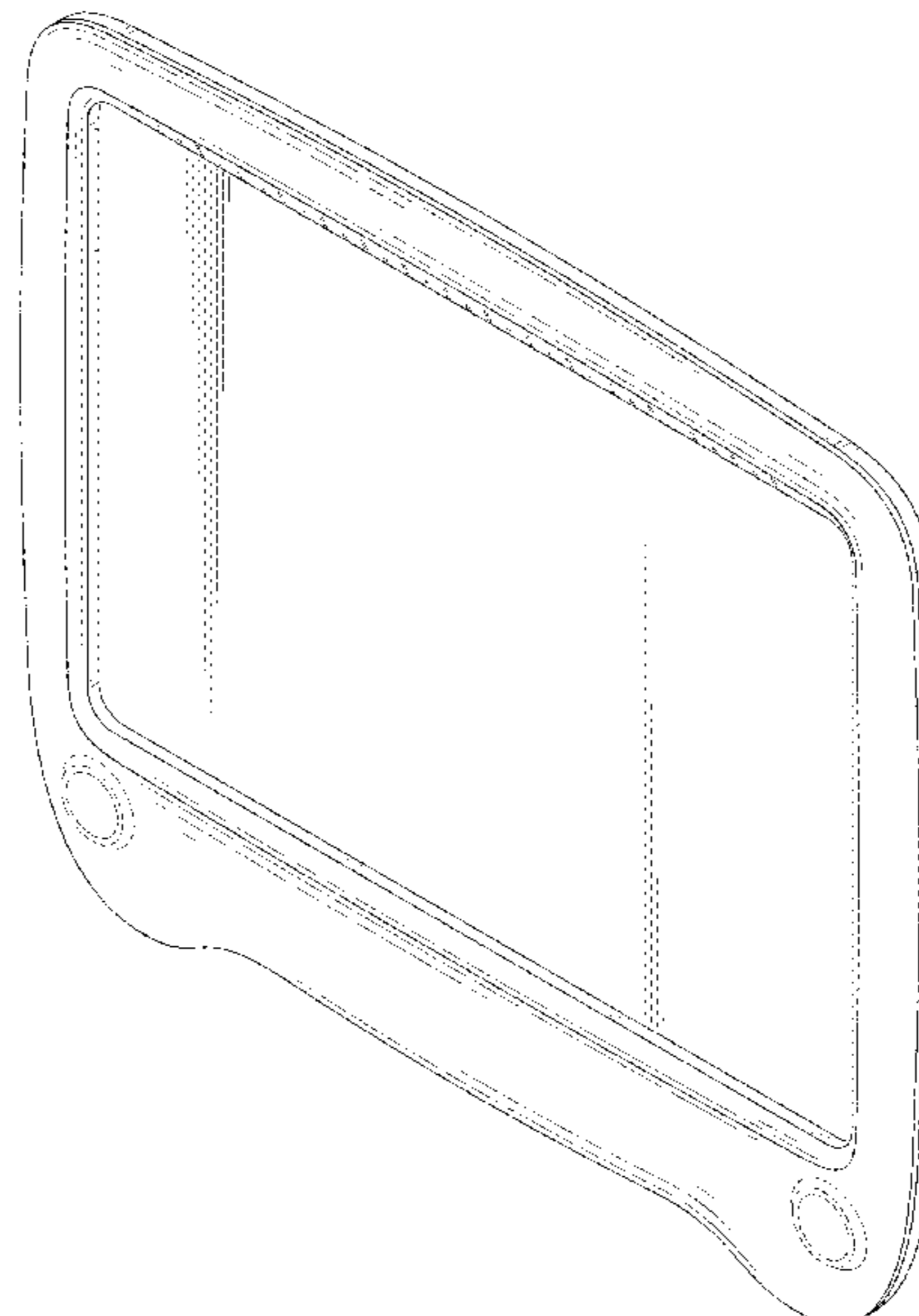
(57) **CLAIM**

The ornamental design for an board, as shown and described.

DESCRIPTION

FIG 1 is a first perspective view of a board showing my new design;
FIG. 2 is a second perspective view thereof;
FIG. 3 is a front elevation view thereof;
FIG. 4 is a rear elevation view thereof;
FIG. 5 is a left side elevation view thereof;
FIG. 6 is a right side elevation view thereof;
FIG. 7 is a top plan view thereof; and,
FIG. 8 is a bottom plan view thereof.
The broken lines immediately adjacent to the claimed portions are boundaries, all other broken lines are environmental structures; all the broken lines form no part of the claimed design.

1 Claim, 8 Drawing Sheets



(56)

References Cited

U.S. PATENT DOCUMENTS

D557,345 S * 12/2007 Yates D20/10
D591,801 S * 5/2009 Mak D21/469
D624,598 S * 9/2010 Chida D20/43
D662,146 S * 6/2012 Podd D20/42
8,952,887 B1 * 2/2015 Wood G06F 3/04886
345/156
2003/0089010 A1 * 5/2003 Wechter G09F 25/00
40/584
2010/0233668 A1 * 9/2010 Kelsoe B43K 23/001
434/408
2016/0052329 A1 * 2/2016 Haymond B43L 1/00
434/415
2019/0138118 A1 * 5/2019 Weiss G06F 3/0383

* cited by examiner

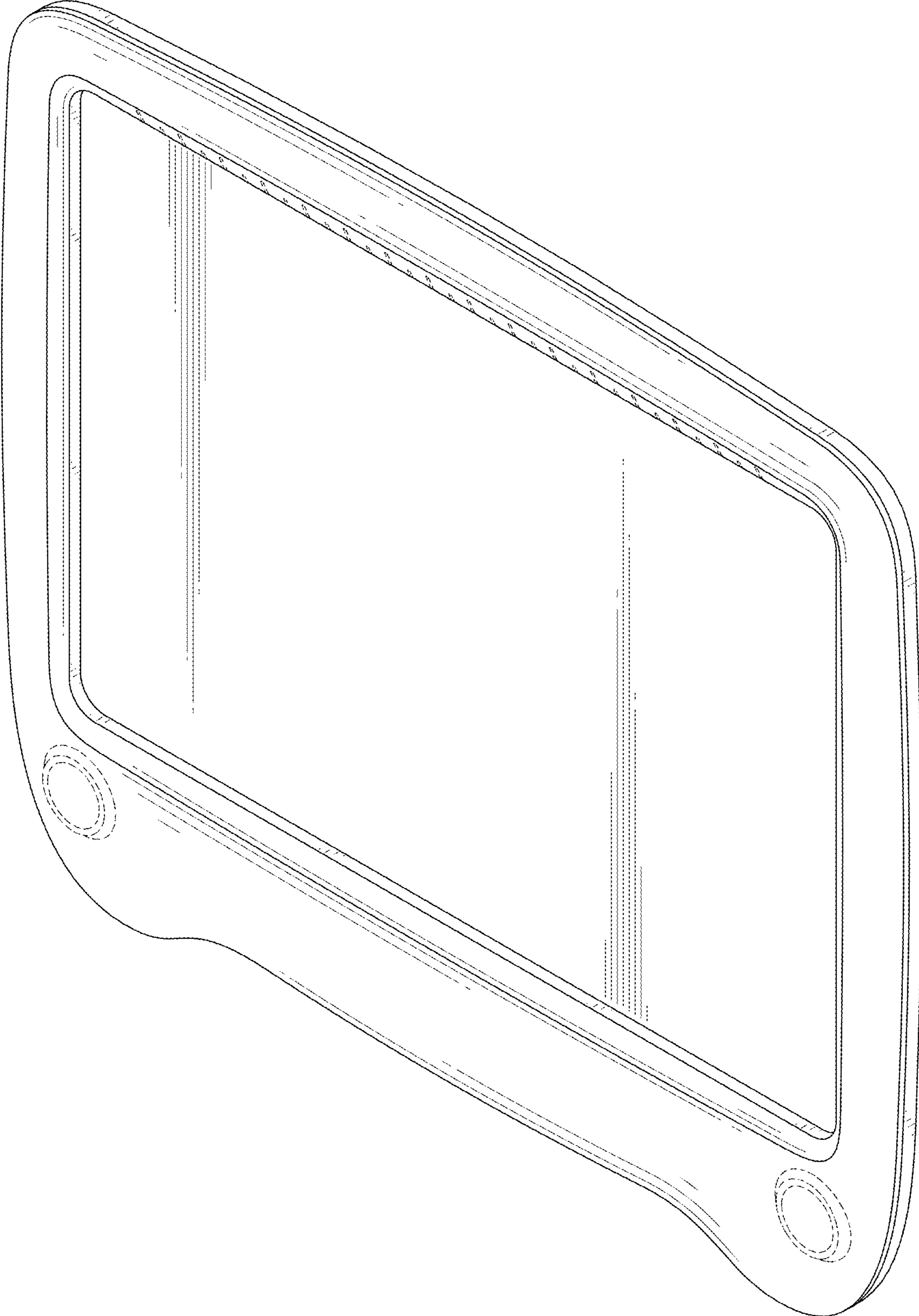


FIG. 1

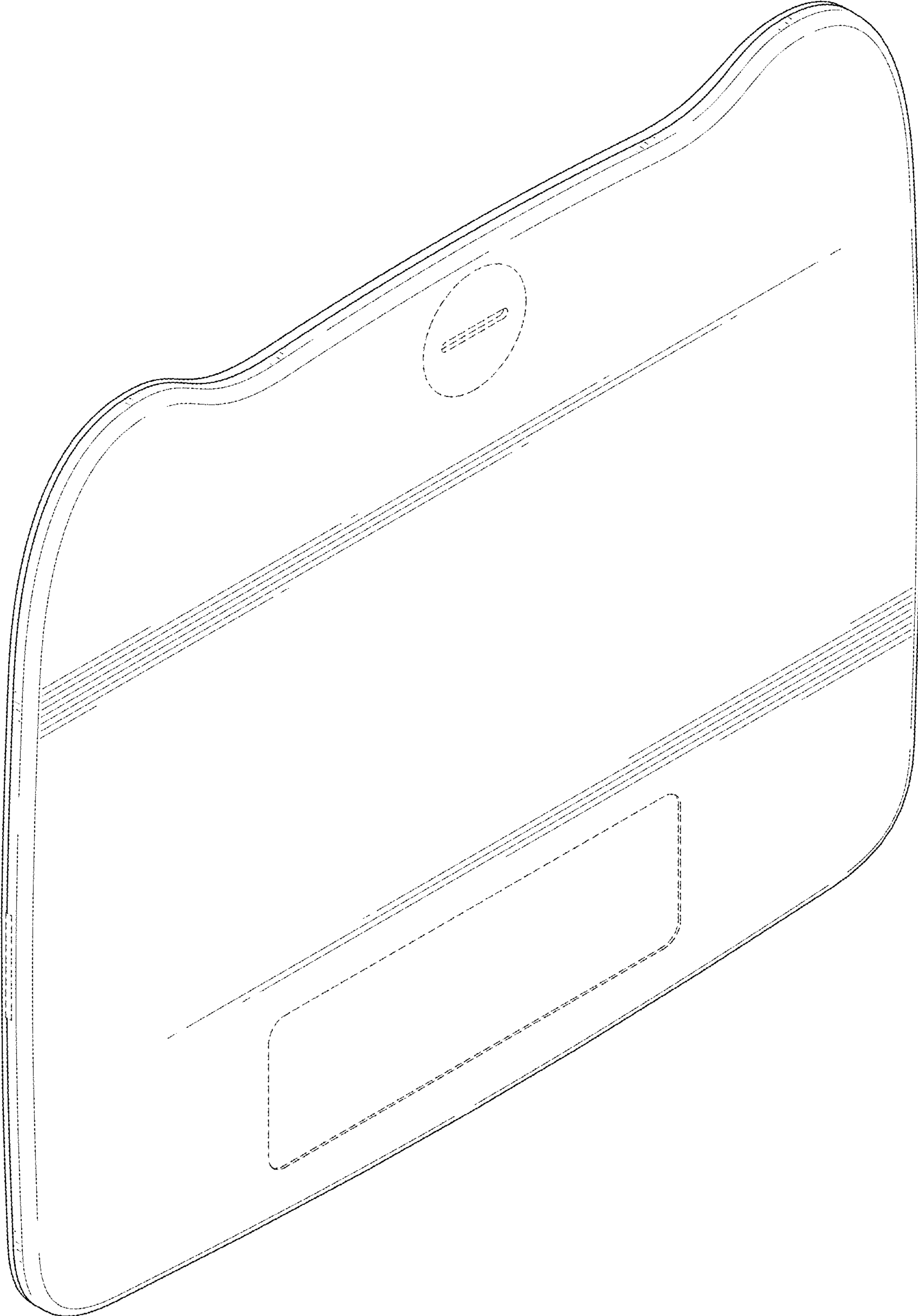


FIG. 2

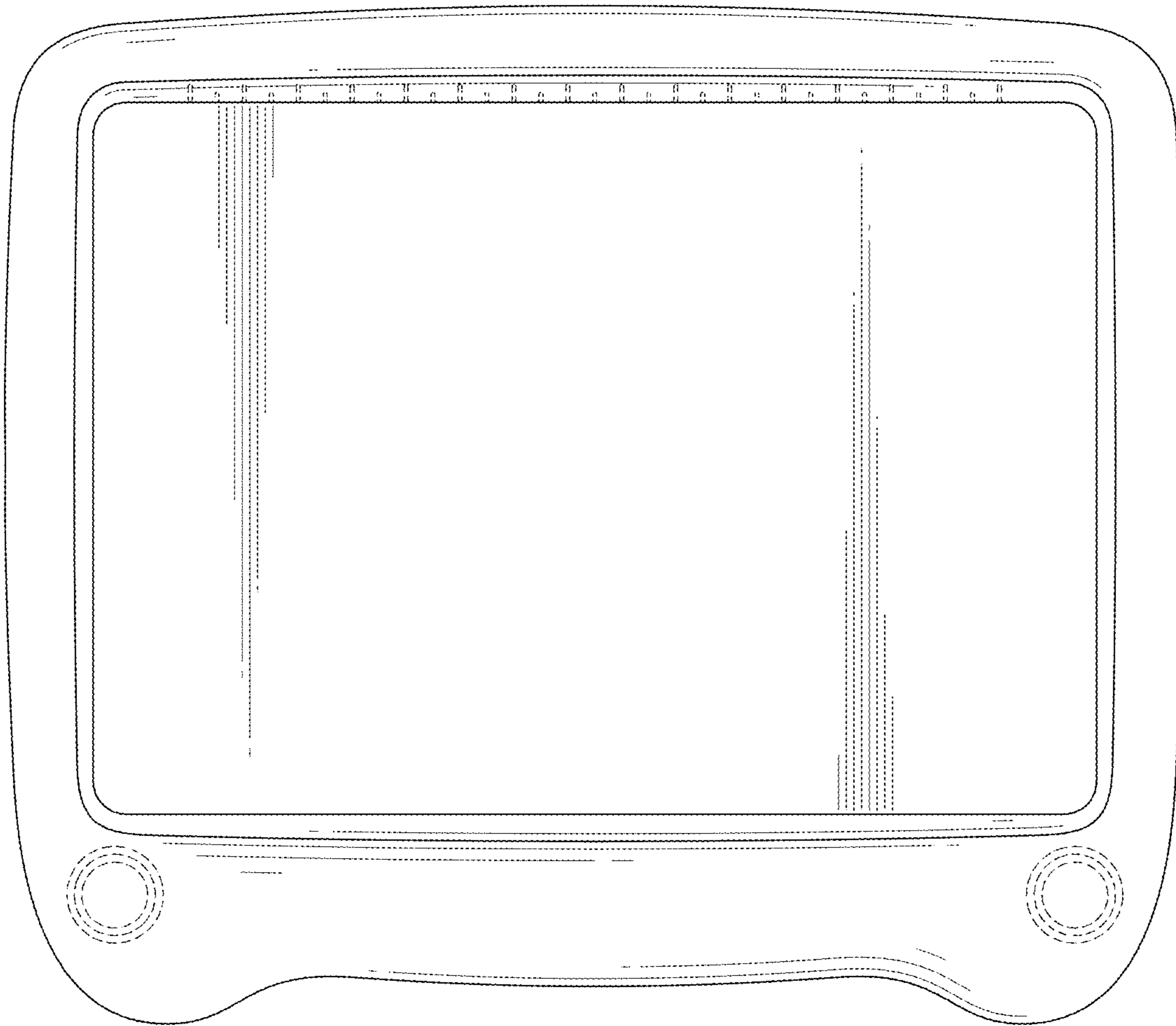


FIG. 3

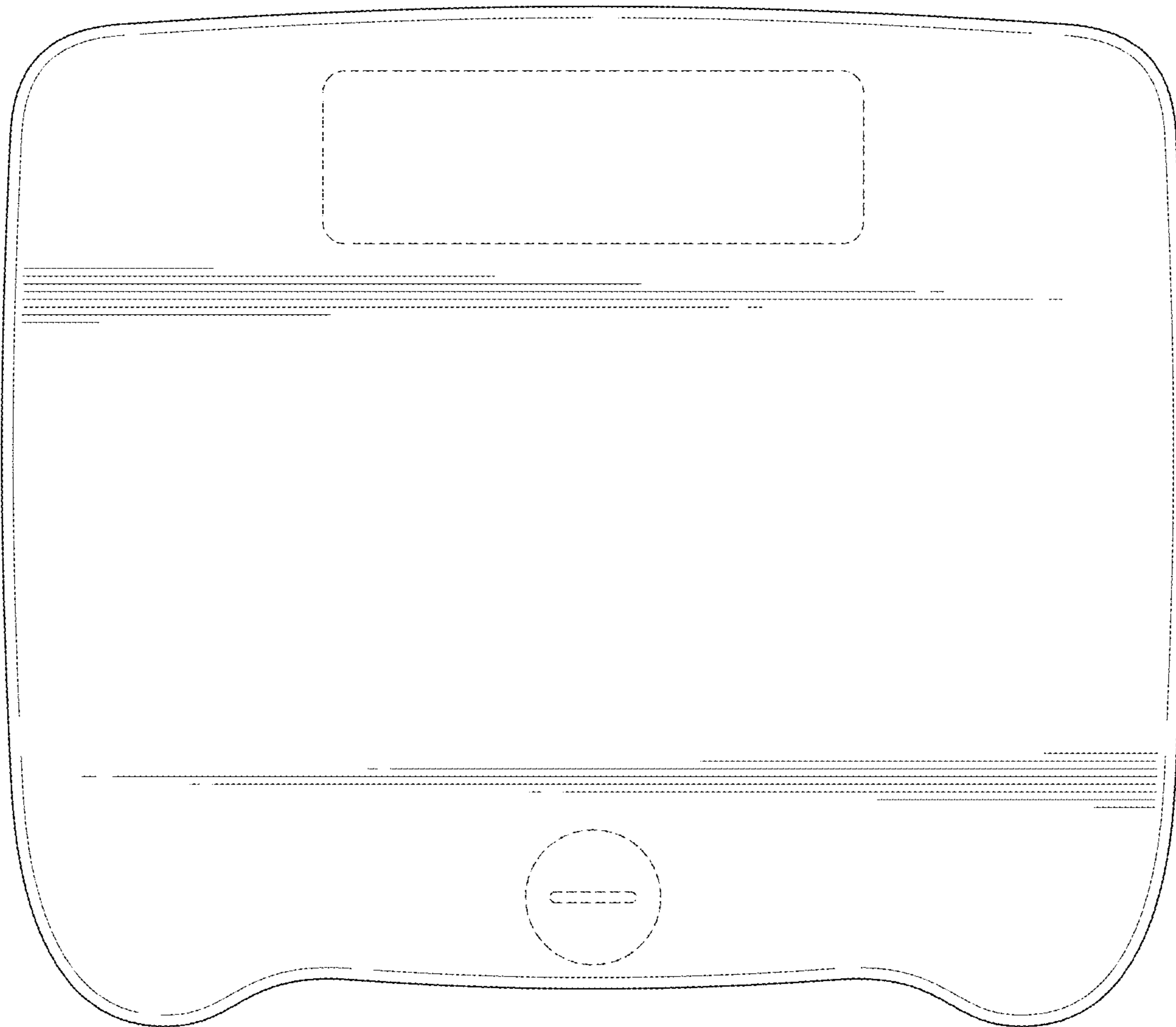


FIG. 4

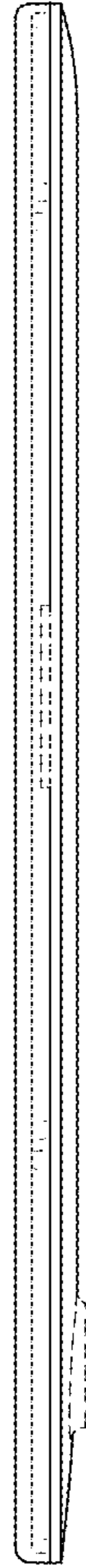


FIG. 5



FIG. 6

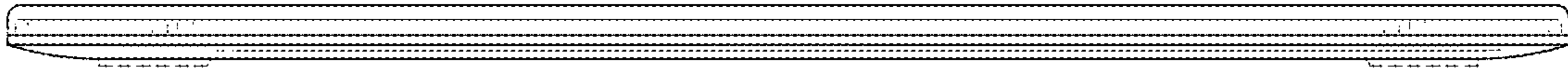


FIG. 7



FIG. 8