



US00D875830S

(12) **United States Design Patent**
Crowe et al.

(10) **Patent No.:** **US D875,830 S**
(45) **Date of Patent:** **** Feb. 18, 2020**

- (54) **TAPE DISPENSER**
- (71) Applicant: **Intertape Polymer Corp.**, Sarasota, FL (US)
- (72) Inventors: **Allen A. Crowe**, Prospect, CT (US); **Michael John Curtin**, Fairfield, CT (US); **Mohan Rajasekaran**, Bristol, CT (US); **Aaron Szymanski**, Thomaston, CT (US)
- (73) Assignee: **Intertape Polymer Corp.**, Sarasota, FL (US)
- (**) Term: **15 Years**
- (21) Appl. No.: **29/621,196**
- (22) Filed: **Oct. 5, 2017**
- (51) **LOC (12) Cl.** **19-02**
- (52) **U.S. Cl.**
USPC **D19/69**
- (58) **Field of Classification Search**
USPC D19/65, 66, 67, 68, 69; D6/515; D9/734
CPC .. B65H 35/00; B65H 35/0006; B65H 35/002; B65H 35/0026; B65H 35/0033; B65H 35/0053; B65H 35/0073; B65H 35/008; B65H 35/06
See application file for complete search history.

- 4,685,994 A * 8/1987 Wodnicki B65C 11/046 156/517
- 4,819,795 A * 4/1989 Swaney B65D 21/0222 206/278
- 5,083,765 A * 1/1992 Kringel B65H 1/025 221/231
- D325,394 S * 4/1992 Ishii D19/67
- D328,212 S * 7/1992 Kringel D6/515
- D330,161 S * 10/1992 Schuh D9/423
- D416,410 S * 11/1999 Emoff D6/515
- 5,979,699 A * 11/1999 Simpson A47K 10/422 221/52
- 6,092,657 A * 7/2000 Hopkins B65H 35/002 206/397
- 6,171,439 B1 * 1/2001 Groeneweg B65C 11/00 156/714

(Continued)

Primary Examiner — Elizabeth A. Albert
(74) *Attorney, Agent, or Firm* — Moore & Van Allen PLLC; Christopher J. Knors

(57) **CLAIM**

The ornamental design for a tape dispenser, as shown and described.

DESCRIPTION

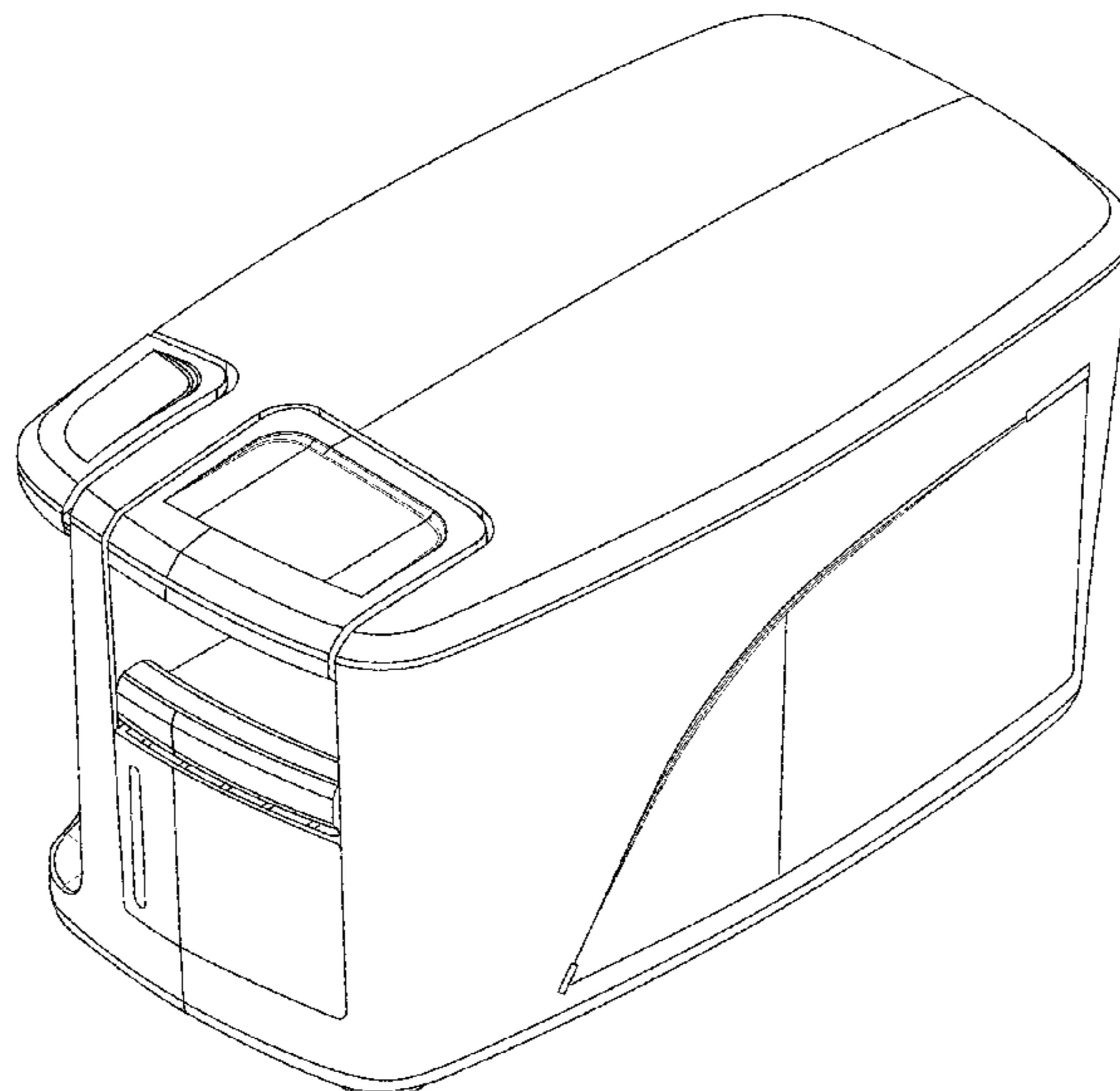
FIG. 1 is a front-top-right perspective view of a tape dispenser;
FIG. 2 is a front-top-left perspective view thereof;
FIG. 3 is a rear-top-right perspective view thereof;
FIG. 4 is a rear-top-left perspective view thereof;
FIG. 5 is a front-bottom-right perspective view thereof;
FIG. 6 is a front-bottom-left perspective view thereof;
FIG. 7 is a rear-bottom-right perspective view thereof;
FIG. 8 is a rear-bottom-left perspective view thereof;
FIG. 9 is a rear elevation view thereof;
FIG. 10 is a right side elevation view thereof;
FIG. 11 is a left side elevation view thereof;
FIG. 12 is a top plan view thereof; and,
FIG. 13 is a bottom plan view thereof.

1 Claim, 13 Drawing Sheets

(56) **References Cited**

U.S. PATENT DOCUMENTS

- 2,464,426 A * 3/1949 Williams B65D 83/12 15/210.1
- 2,499,017 A * 2/1950 Callaway B65C 11/04 118/405
- D161,072 S * 11/1950 White D19/69
- 2,695,645 A * 11/1954 Tupper A47J 47/02 220/797
- D218,861 S * 9/1970 Castelli D19/69
- D285,906 S * 9/1986 Tyler D9/425



(56)

References Cited

U.S. PATENT DOCUMENTS

6,367,654 B1 * 4/2002 Simpson B65D 75/30
206/812
7,014,065 B2 * 3/2006 Jensen B65H 35/00
221/255
D603,902 S * 11/2009 Greaves D19/67
D671,992 S * 12/2012 Aquino D19/69
8,920,054 B2 * 12/2014 Yokoyama B41J 15/02
400/611
D742,737 S * 11/2015 Huang D9/425

* cited by examiner

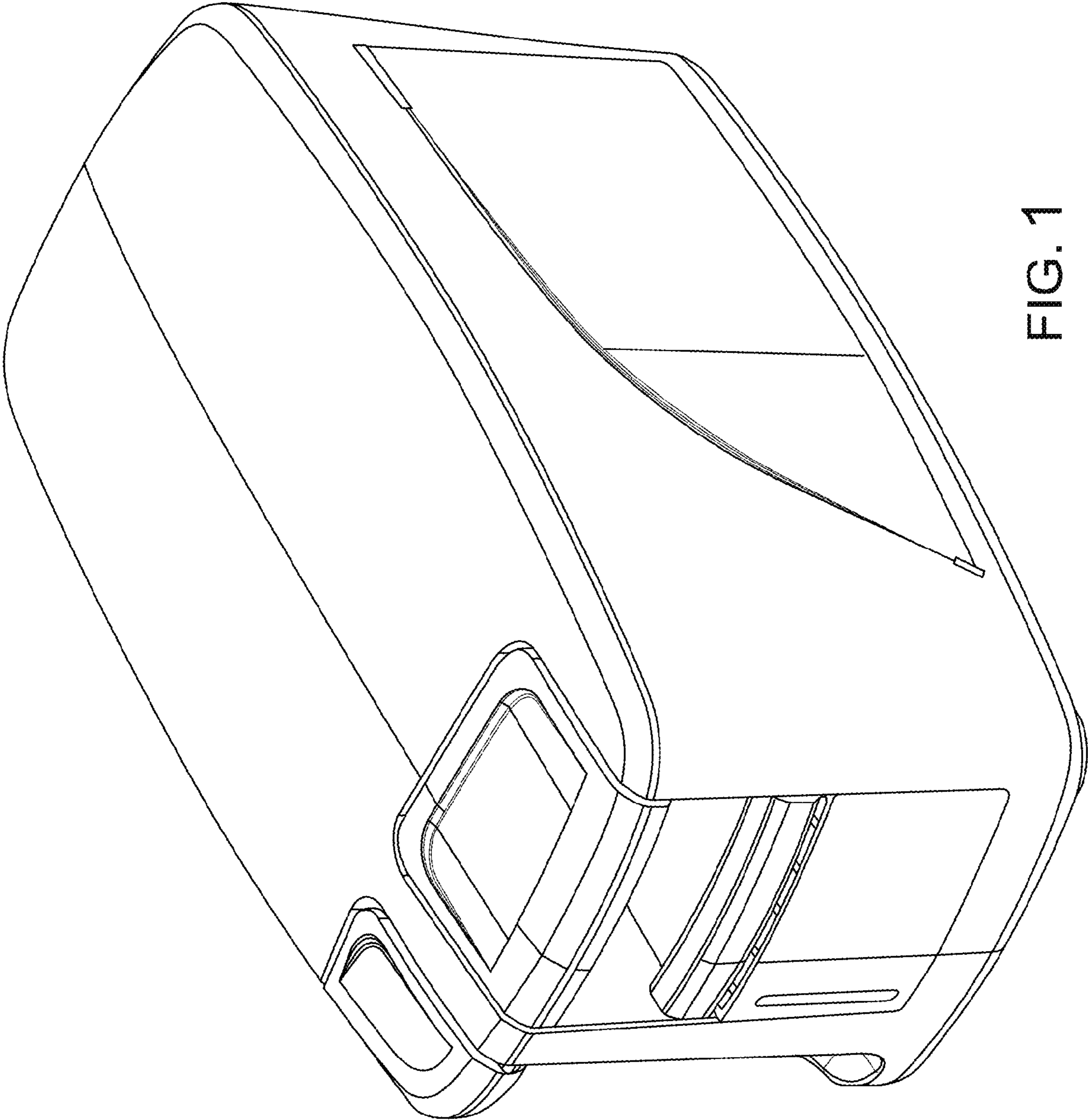


FIG. 1

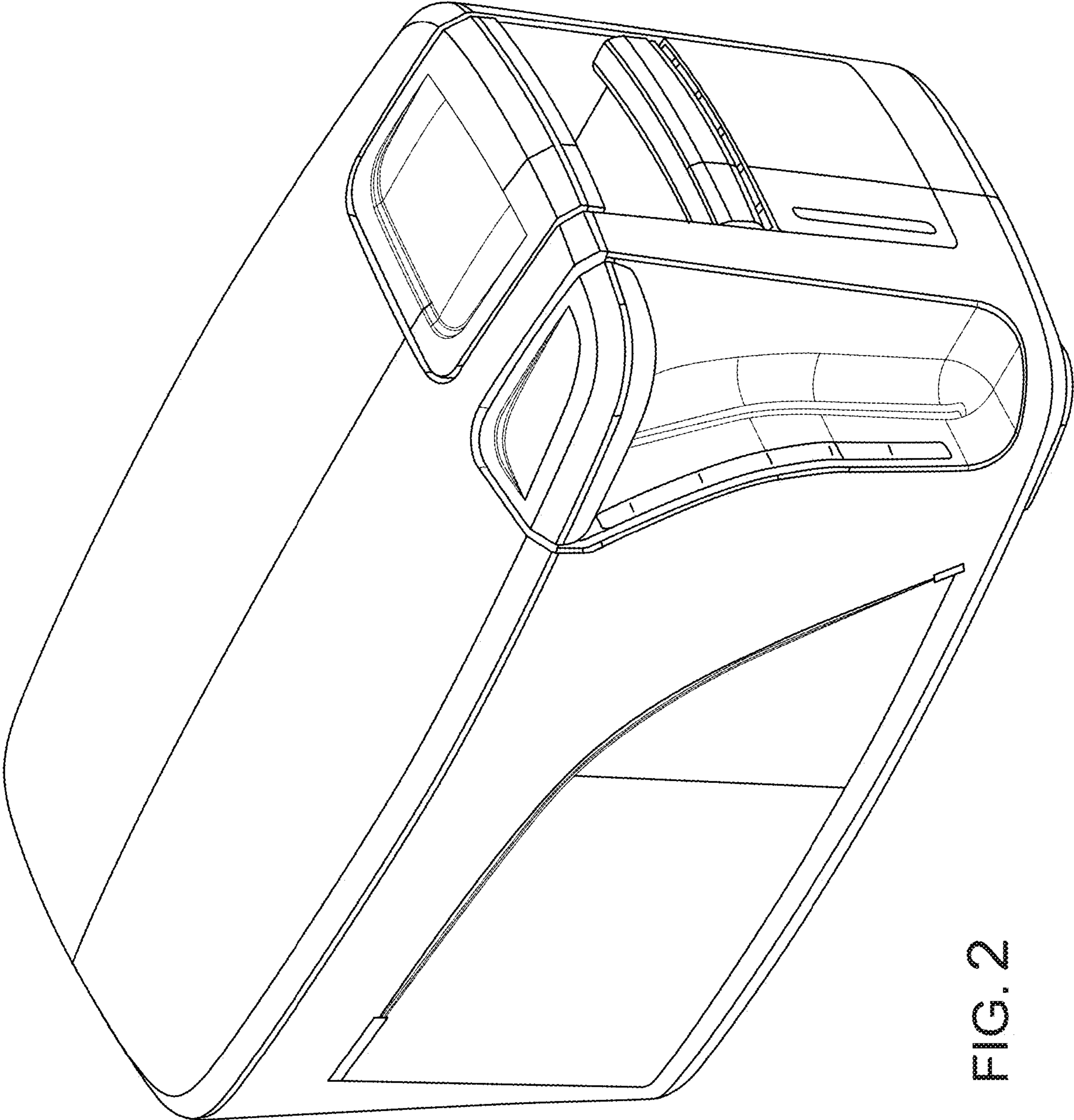


FIG. 2

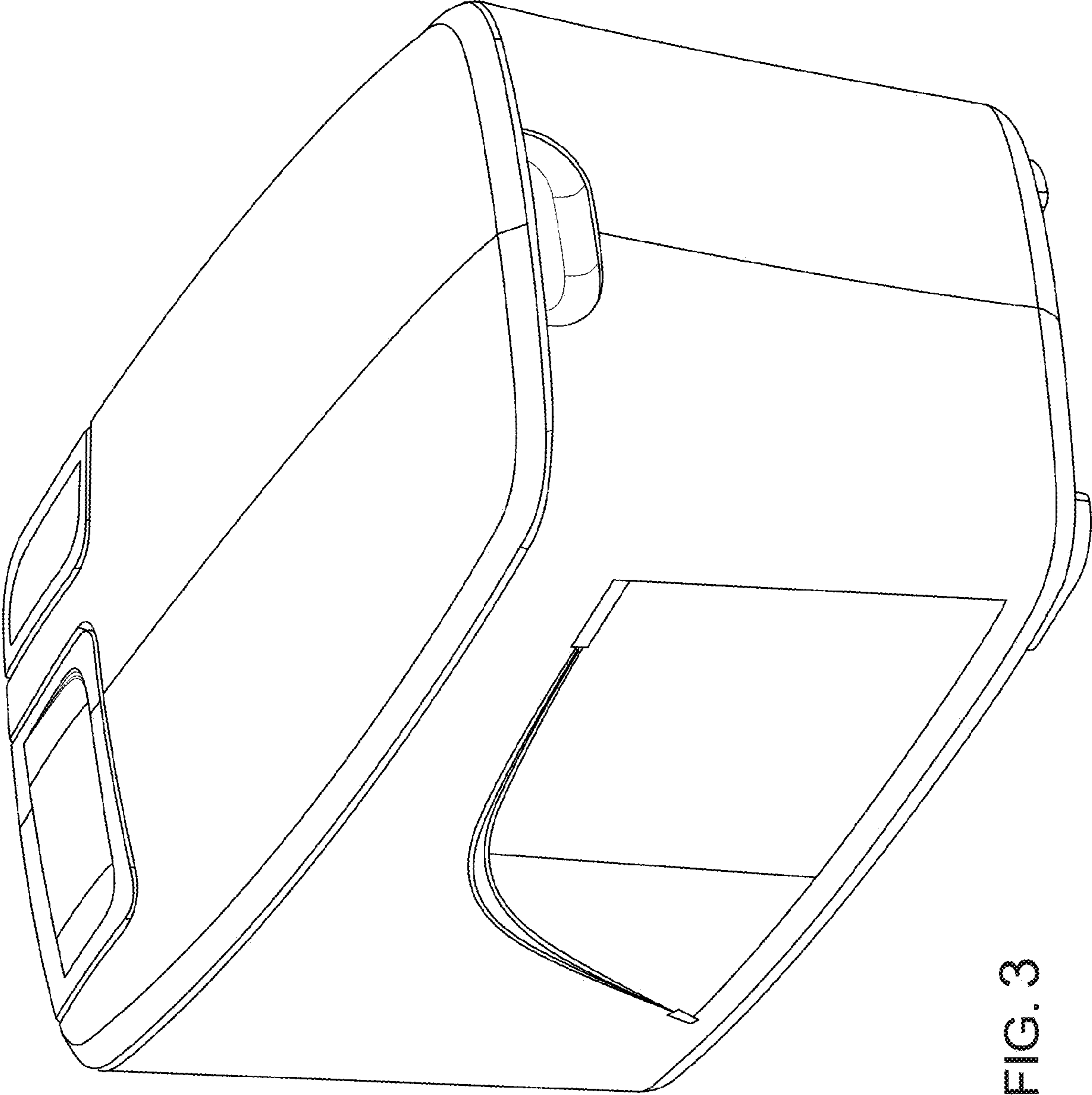


FIG. 3

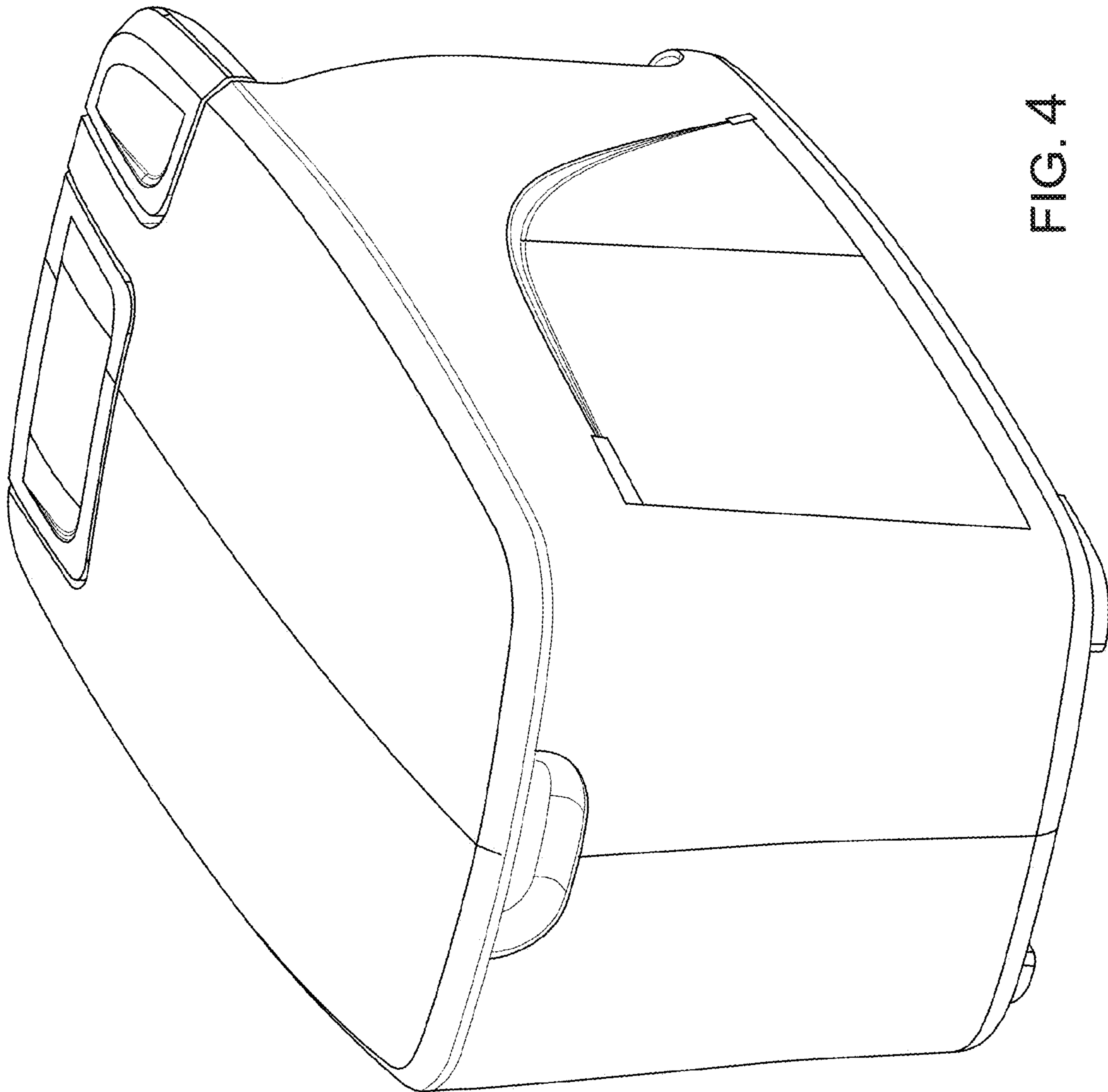


FIG. 4

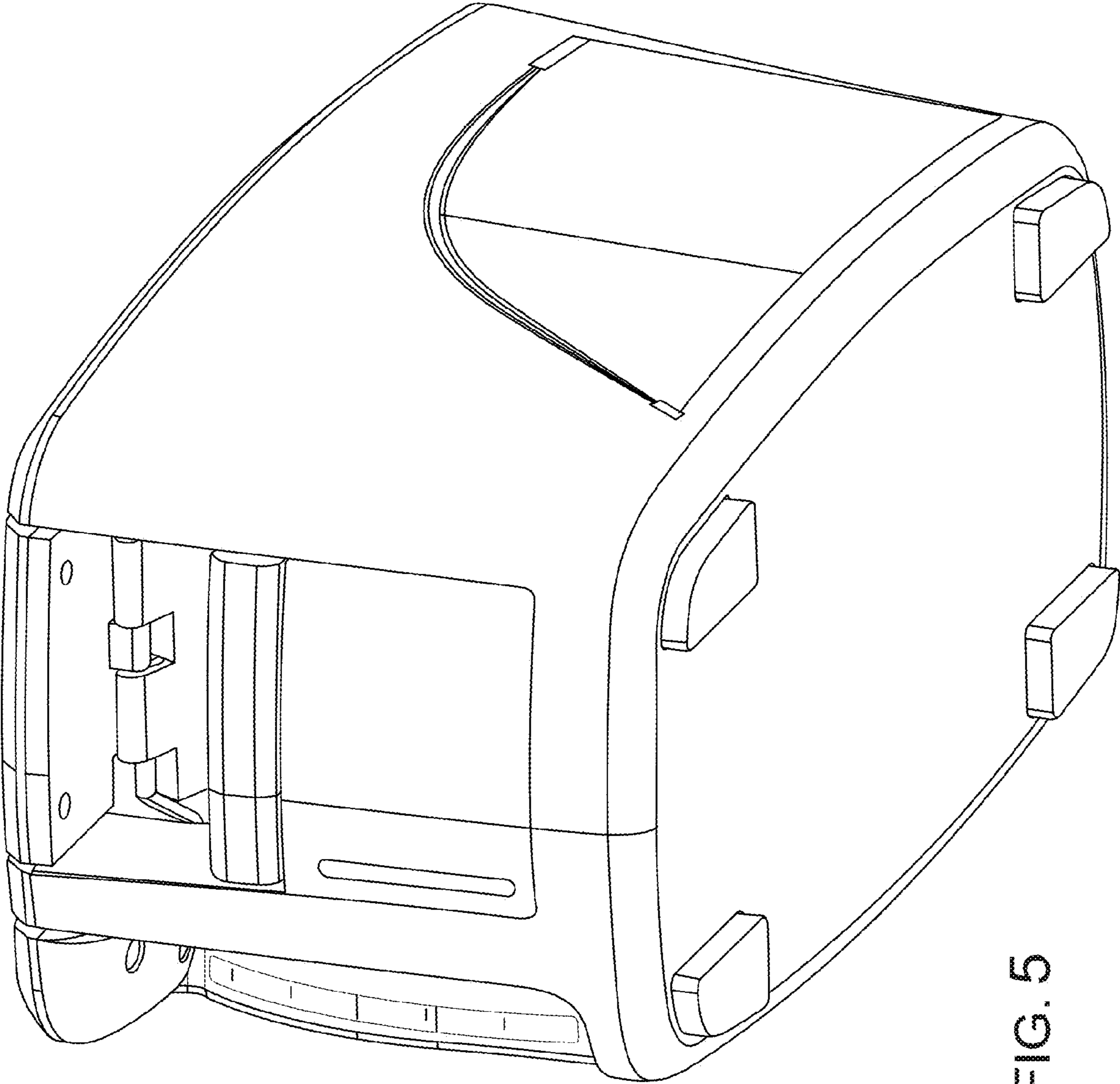


FIG. 5

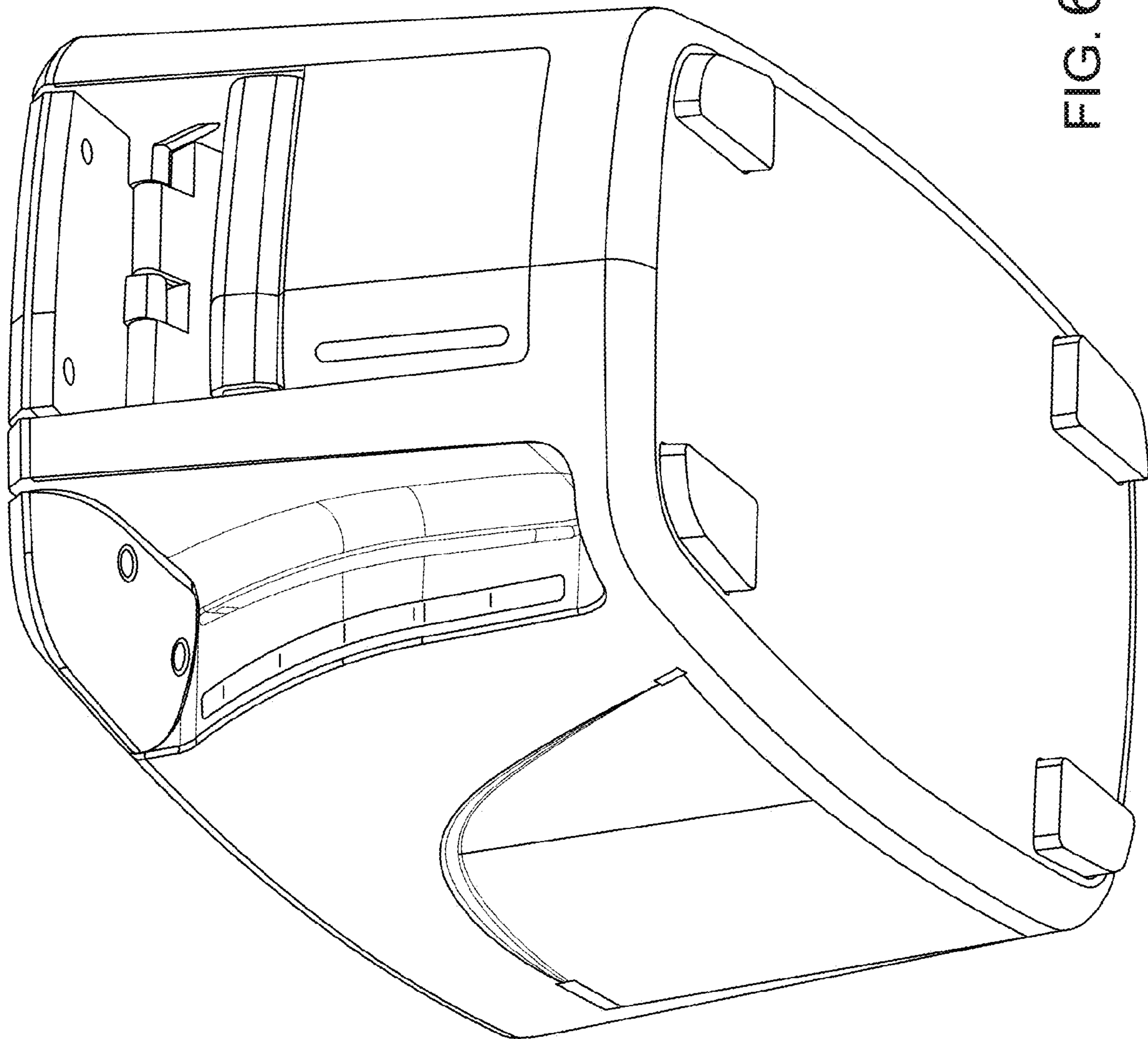


FIG. 6

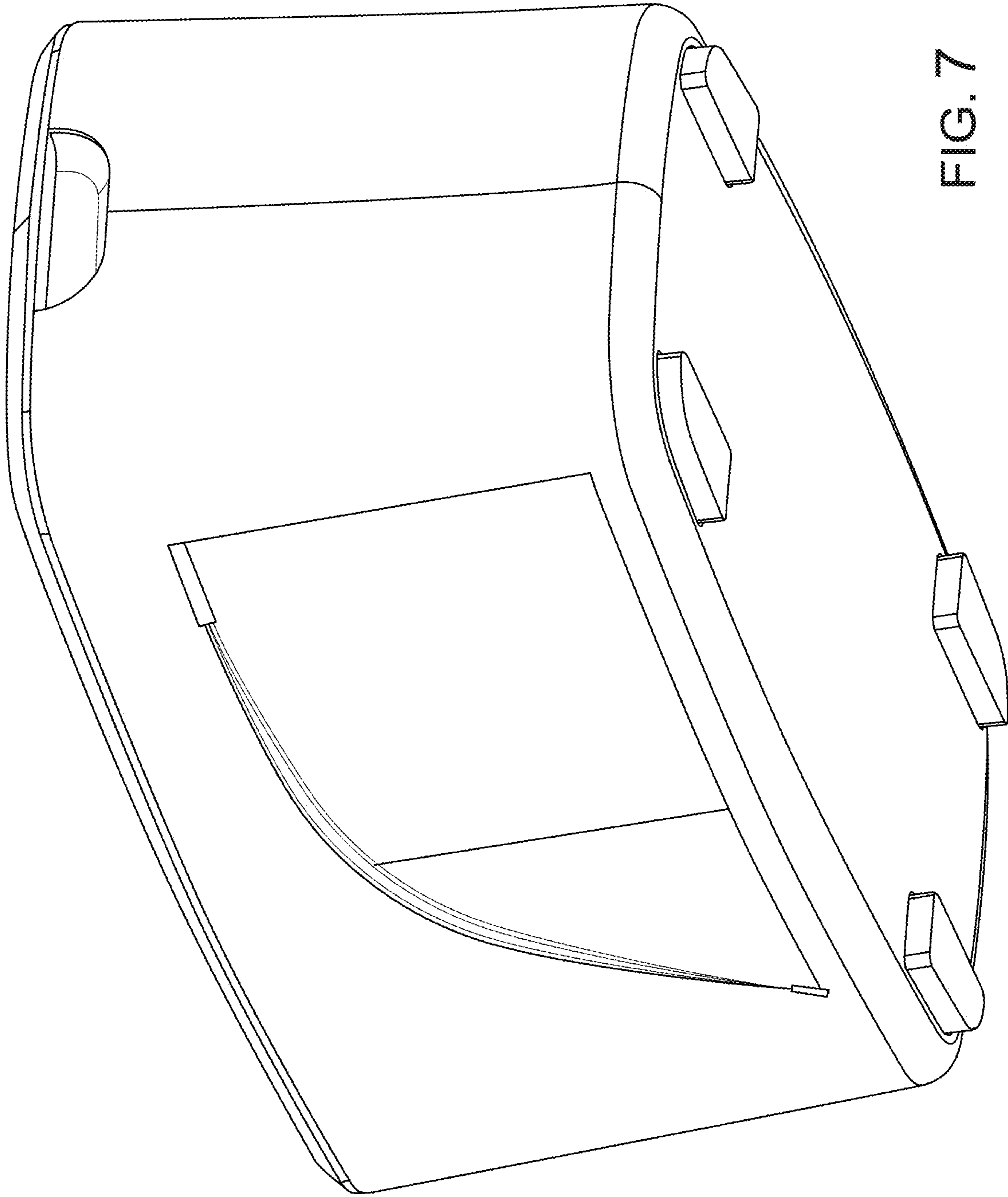


FIG. 7

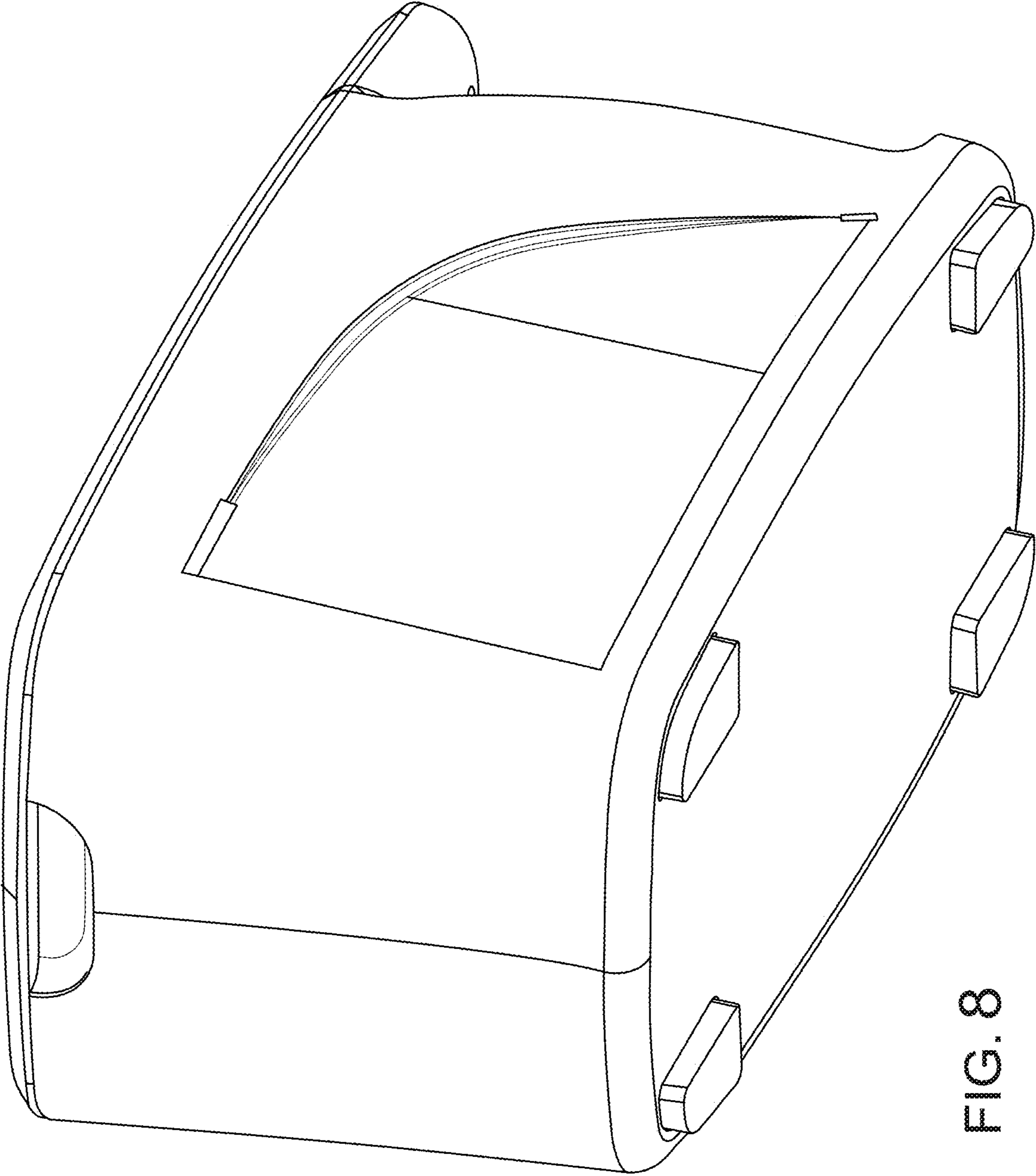


FIG. 8

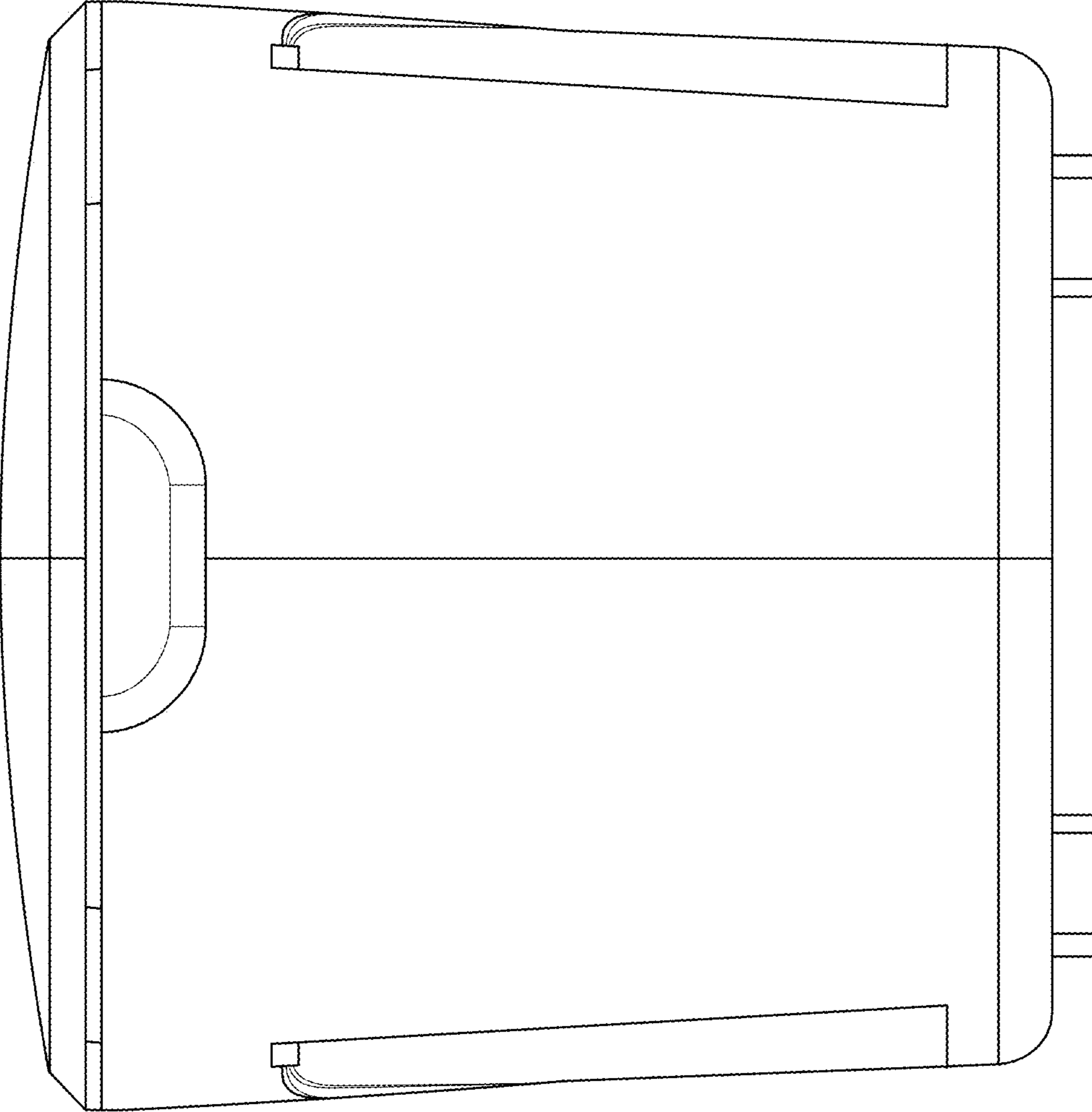


FIG. 9

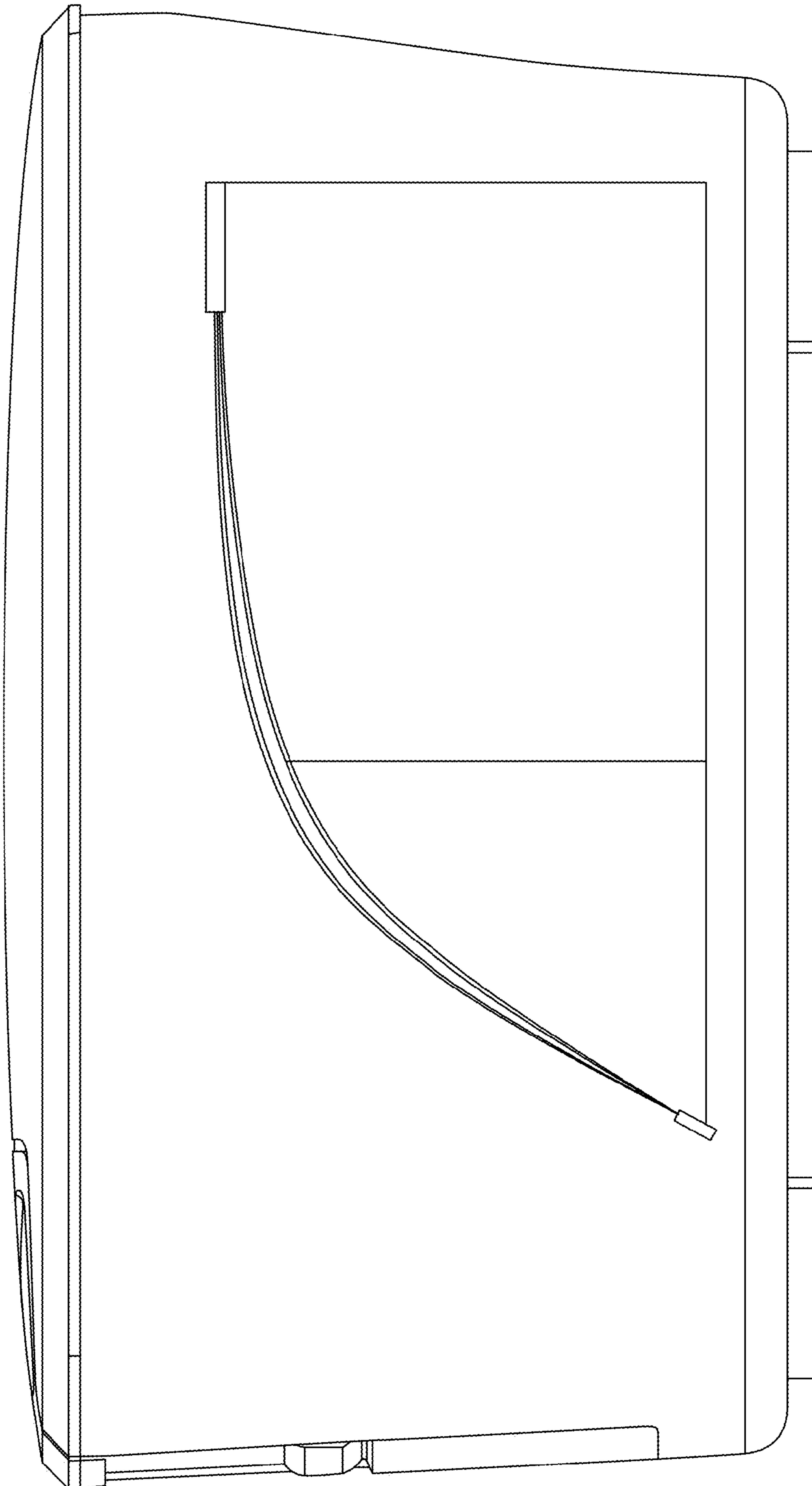


FIG. 10

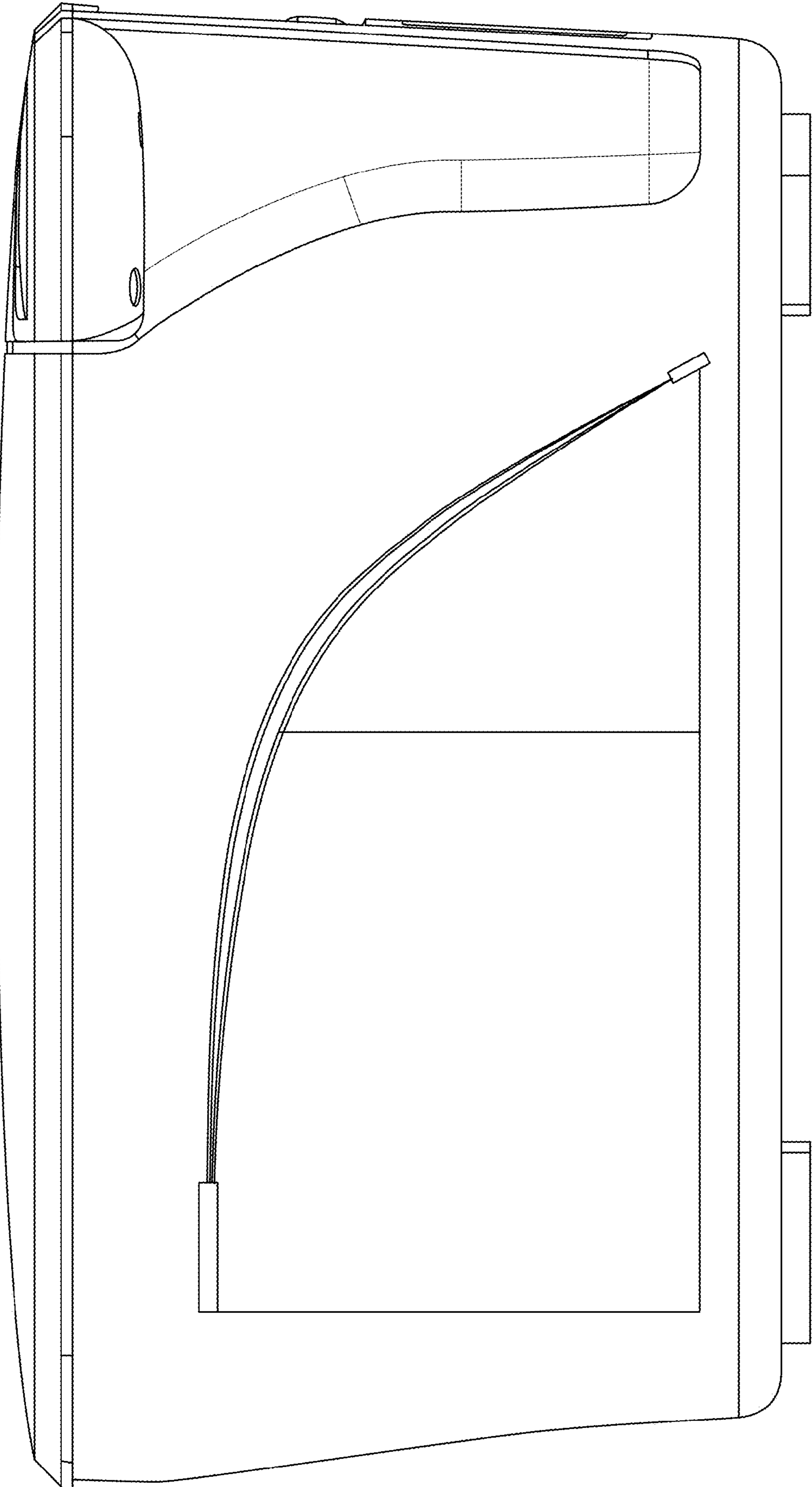


FIG. 11

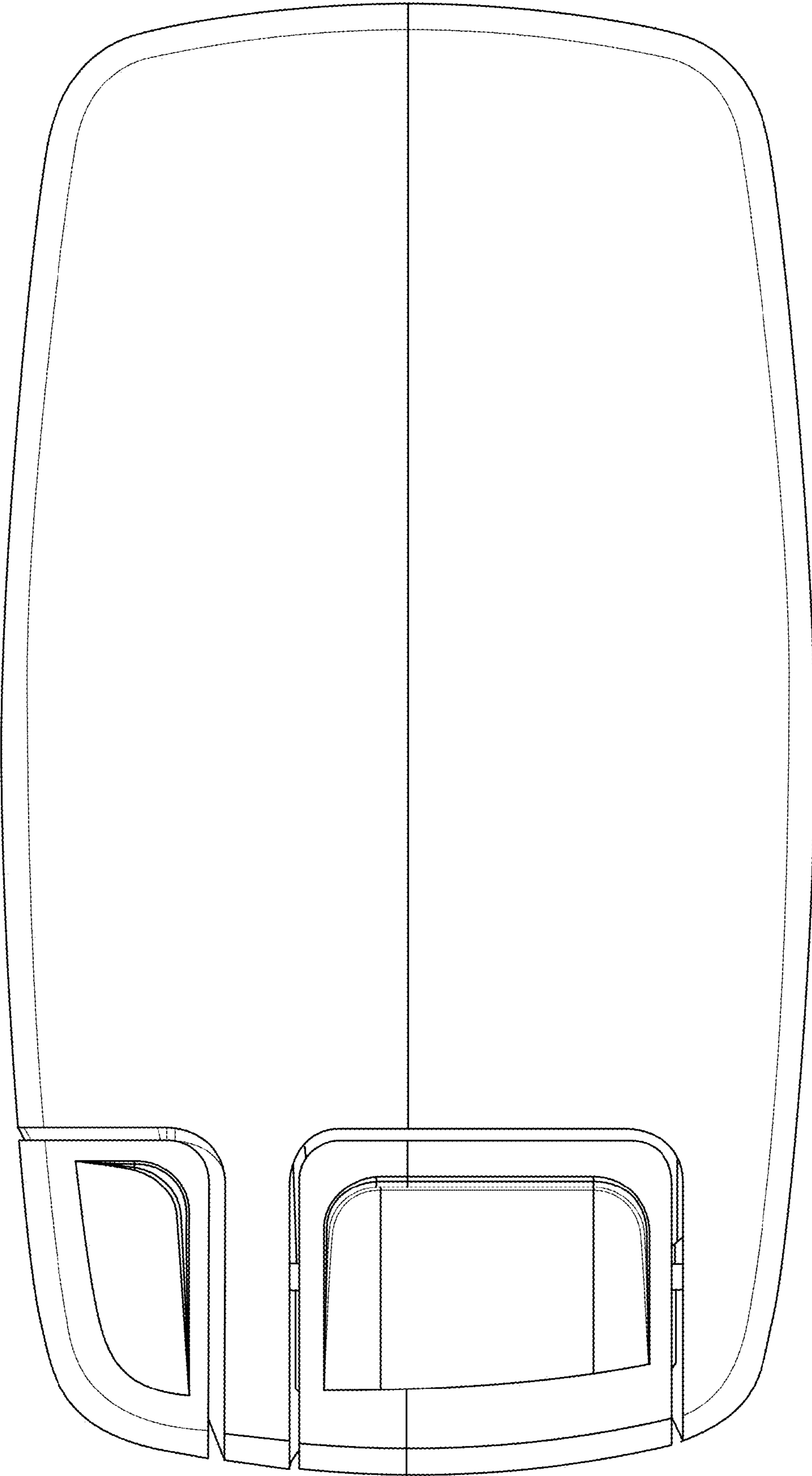


FIG. 12

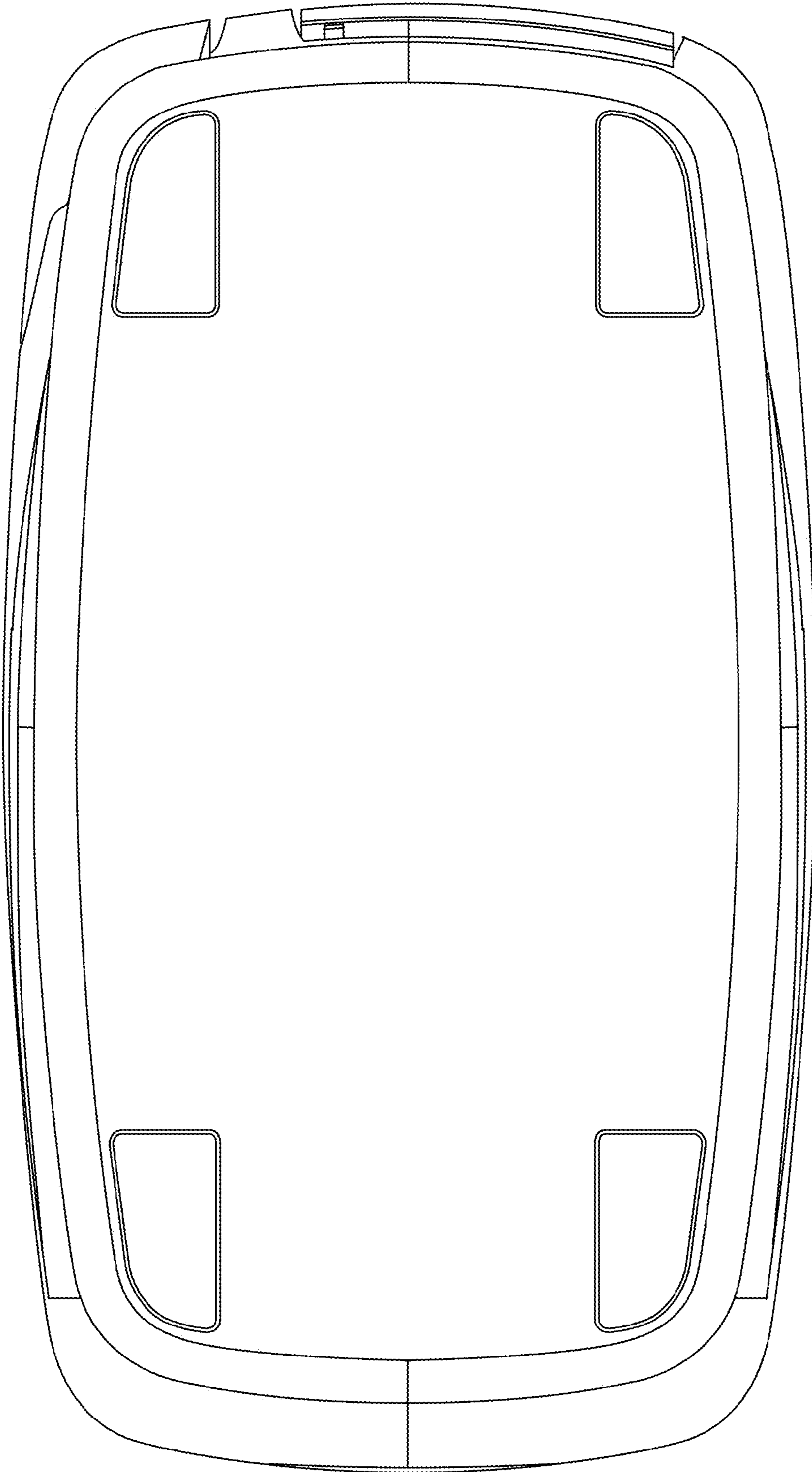


FIG. 13