

US00D875828S

(12) **United States Design Patent** (10) **Patent No.:** **US D875,828 S**
Harvey et al. (45) **Date of Patent:** **** *Feb. 18, 2020**

(54) **INK CARTRIDGE**

(75) Inventors: **David C. Harvey**, Portland, OR (US);
David Olsen, Corvallis, OR (US);
Ralph L. Stathem, Lebanon, OR (US)

(73) Assignee: **Hewlett-Packard Development Company, L.P.**, Spring, TX (US)

(*) Notice: This patent is subject to a terminal disclaimer.

(**) Term: **14 Years**

(21) Appl. No.: **29/402,509**

(22) Filed: **Sep. 23, 2011**

(51) **LOC (12) Cl.** **18-02**

(52) **U.S. Cl.**
USPC **D18/56**

(58) **Field of Classification Search**
USPC D18/12, 40, 43, 56; 347/86-67
CPC B41J 2/175; B41J 2/17513
See application file for complete search history.

(56) **References Cited**

U.S. PATENT DOCUMENTS

D464,672 S *	10/2002	Shinano et al.	D18/56
D489,757 S *	5/2004	Matsumoto	D18/56
D549,280 S	8/2007	Morino		
D556,258 S *	11/2007	Morino	D18/56
D585,090 S	1/2009	Ishizawa		
D598,050 S *	8/2009	Nozawa	D18/56
D611,532 S *	3/2010	Nanjo et al.	D18/56
D656,183 S *	3/2012	Nanjo	D18/56
D656,186 S *	3/2012	Oya et al.	D18/56
D699,785 S *	2/2014	Harvey	D18/56
D712,464 S *	9/2014	Harvey	D18/56
2005/0001888 A1	1/2005	Seino et al.		
2009/0141097 A1 *	6/2009	Nakamura	B41J 2/17513 347/86

(Continued)

Primary Examiner — Sheryl Lane

Assistant Examiner — Calvin E Vansant

(74) *Attorney, Agent, or Firm* — Hanley Flight & Zimmerman LLC

(57) **CLAIM**

The ornamental design for an ink cartridge, as shown and described herein.

DESCRIPTION

FIG. 1 is a front, top, and left side perspective view of an ink cartridge;

FIG. 2 is a rear, bottom, and right side perspective view thereof;

FIG. 3 is another top, bottom, and right side perspective view thereof;

FIG. 4 is a magnified view thereof, by the area designated as FIG. 4 in FIG. 3;

FIG. 5 is a rear, top, and left side perspective view thereof;

FIG. 6 is a magnified view thereof, by the area designated as FIG. 6 in FIG. 5;

FIG. 7 is another rear, top, and left side perspective view thereof;

FIG. 8 is a magnified view thereof, by the area designated as FIG. 8 in FIG. 7;

FIG. 9 is a left side elevation view thereof;

FIG. 10 is a right side elevation view thereof;

FIG. 11 is a top plan view thereof;

FIG. 12 is a bottom plan view thereof;

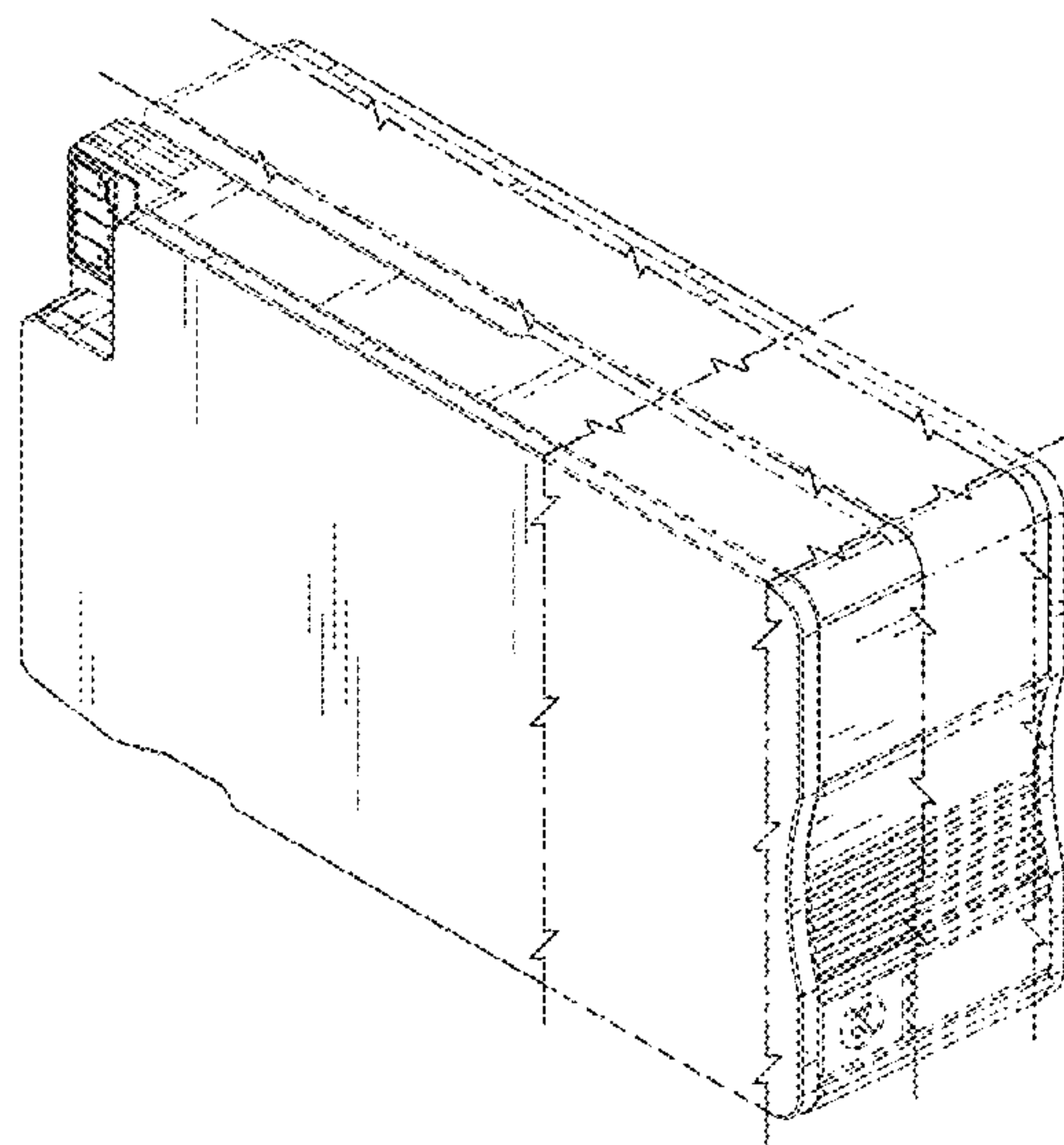
FIG. 13 is a front elevation view thereof;

FIG. 14 is a rear elevation view thereof; and,

FIG. 15 is a magnified view thereof, by the area designated as FIG. 15 in FIG. 14.

Those portions of the Figures shown in broken lines are for illustration only and form no part of the claimed design. The dash-dot-dot lines indicate boundaries of the claimed design, and form no part thereof. The dash-dot lines indicate boundaries of magnified areas of the claimed design, and form no part thereof.

1 Claim, 11 Drawing Sheets



(56)

References Cited

U.S. PATENT DOCUMENTS

2011/0310187 A1* 12/2011 Kanbe B41J 2/17513
347/86
2013/0050359 A1* 2/2013 Kanbe B41J 2/175
347/86

* cited by examiner

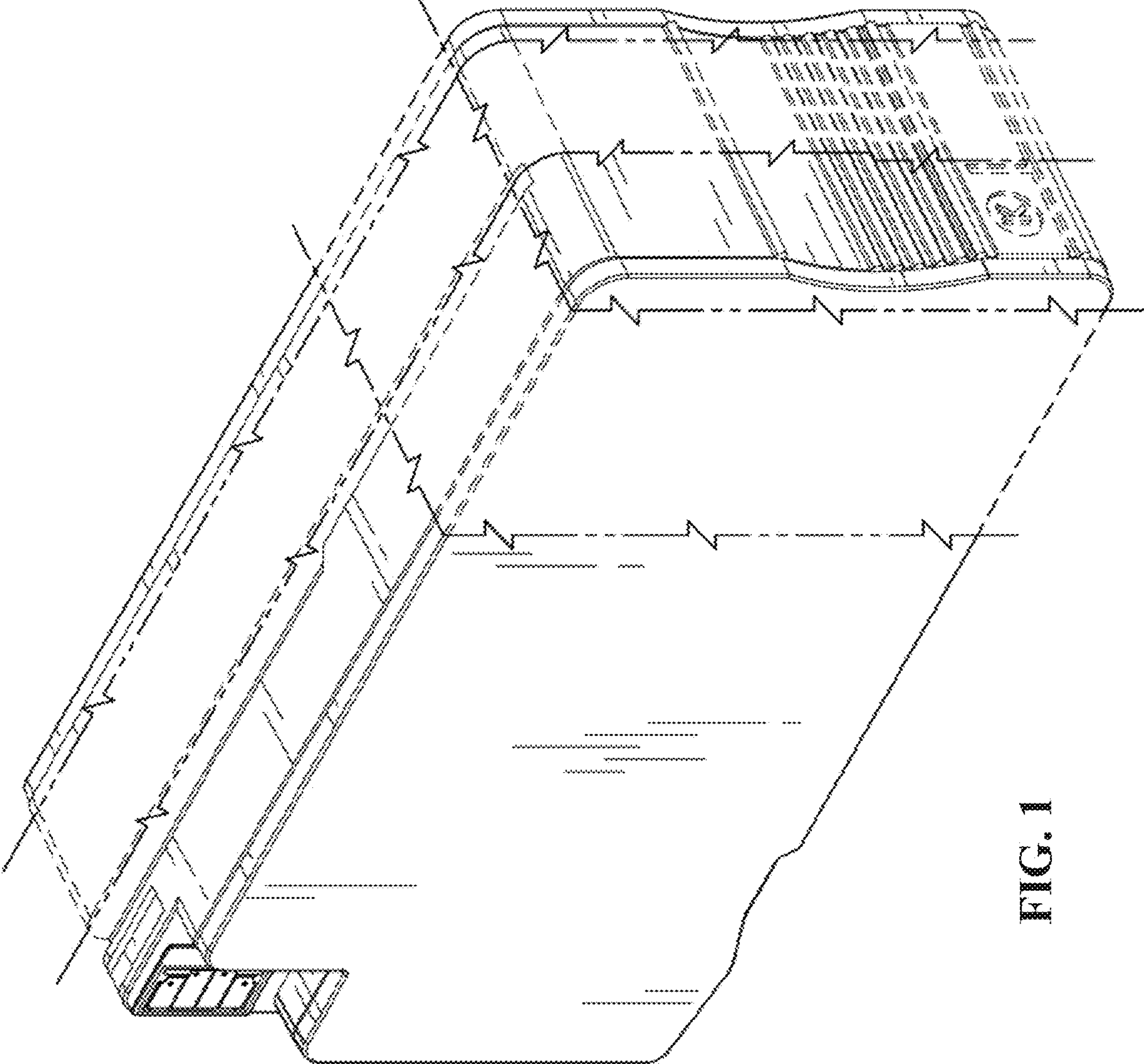


FIG. 1

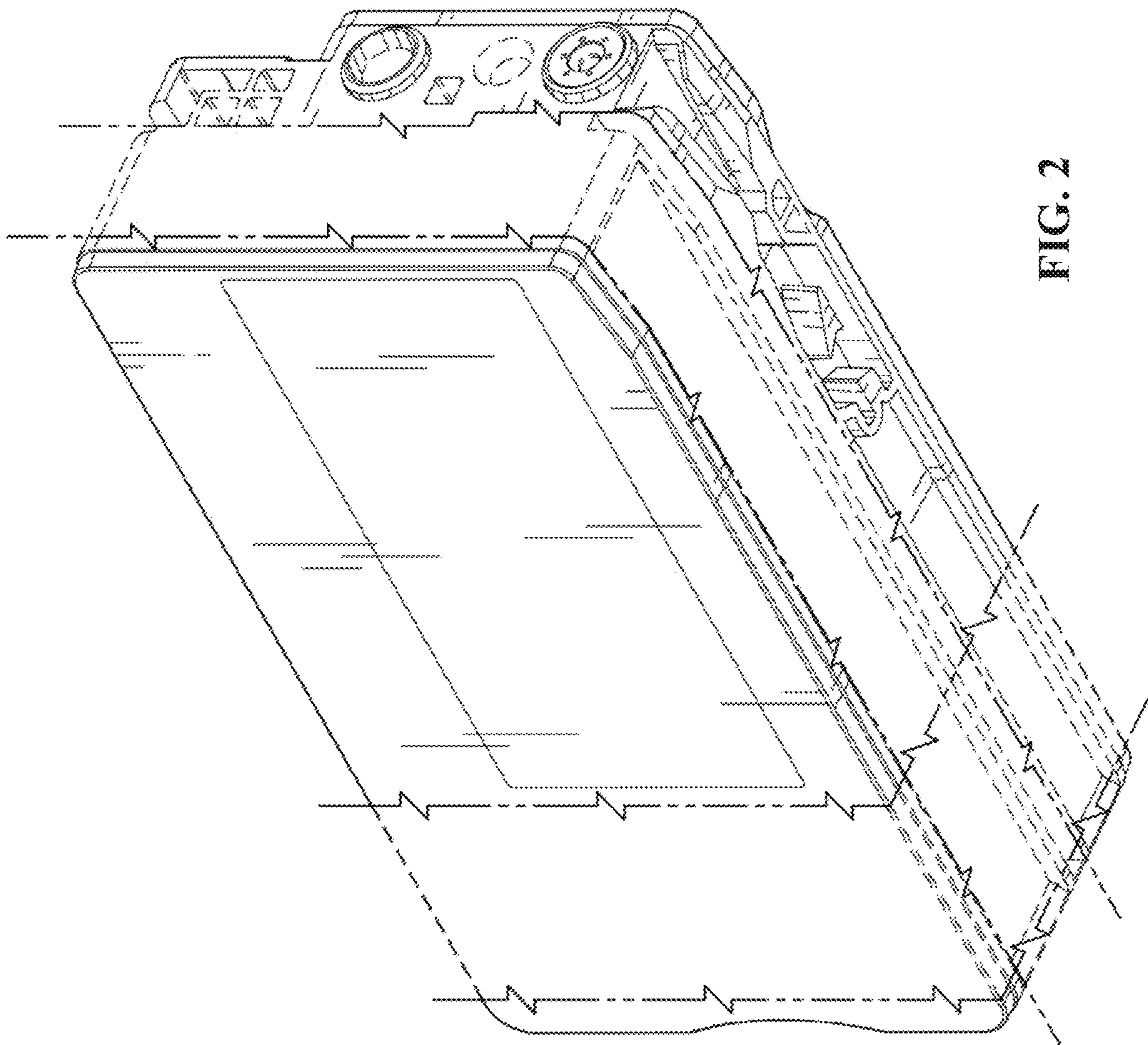


FIG. 2

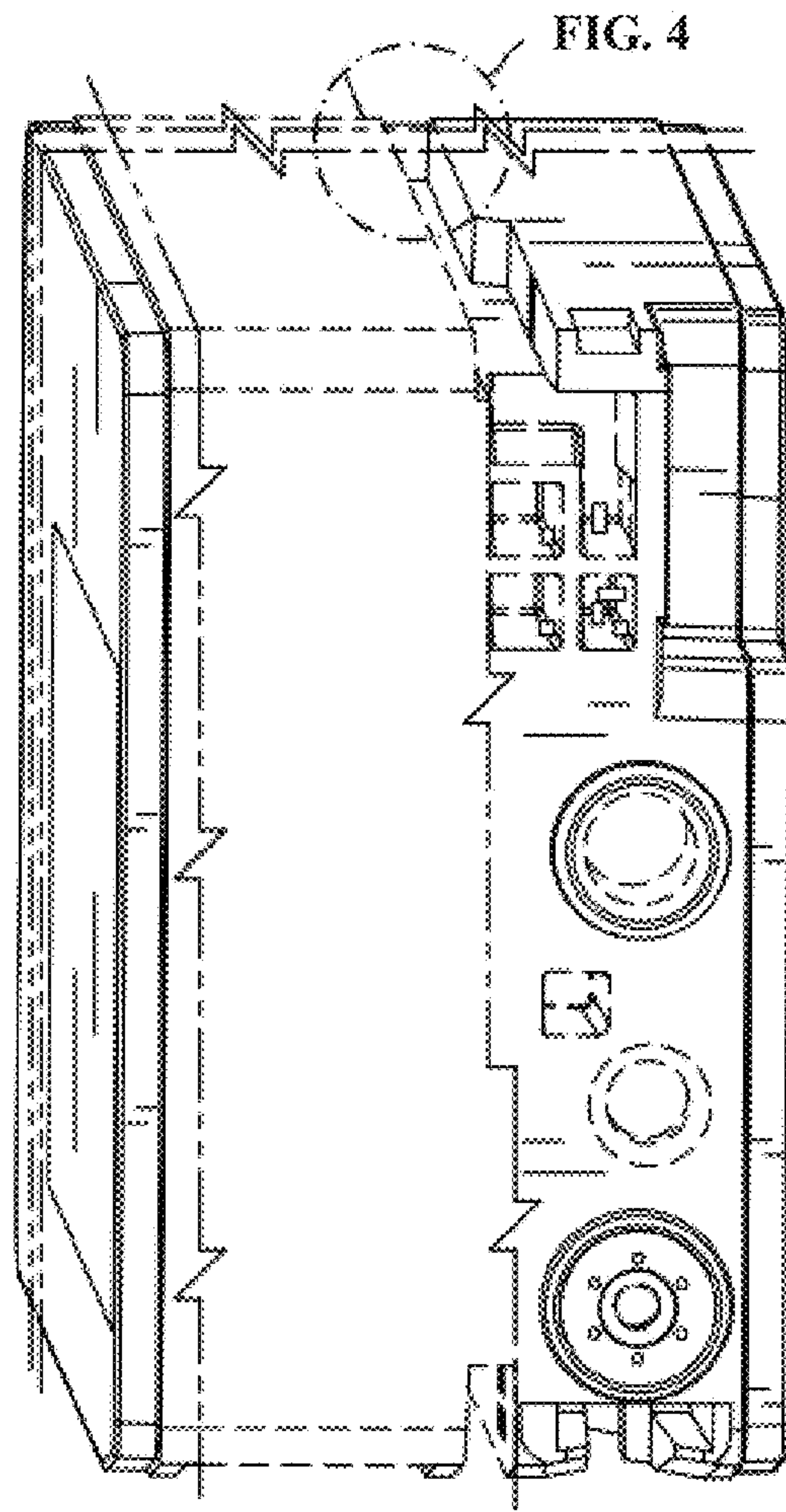


FIG. 3

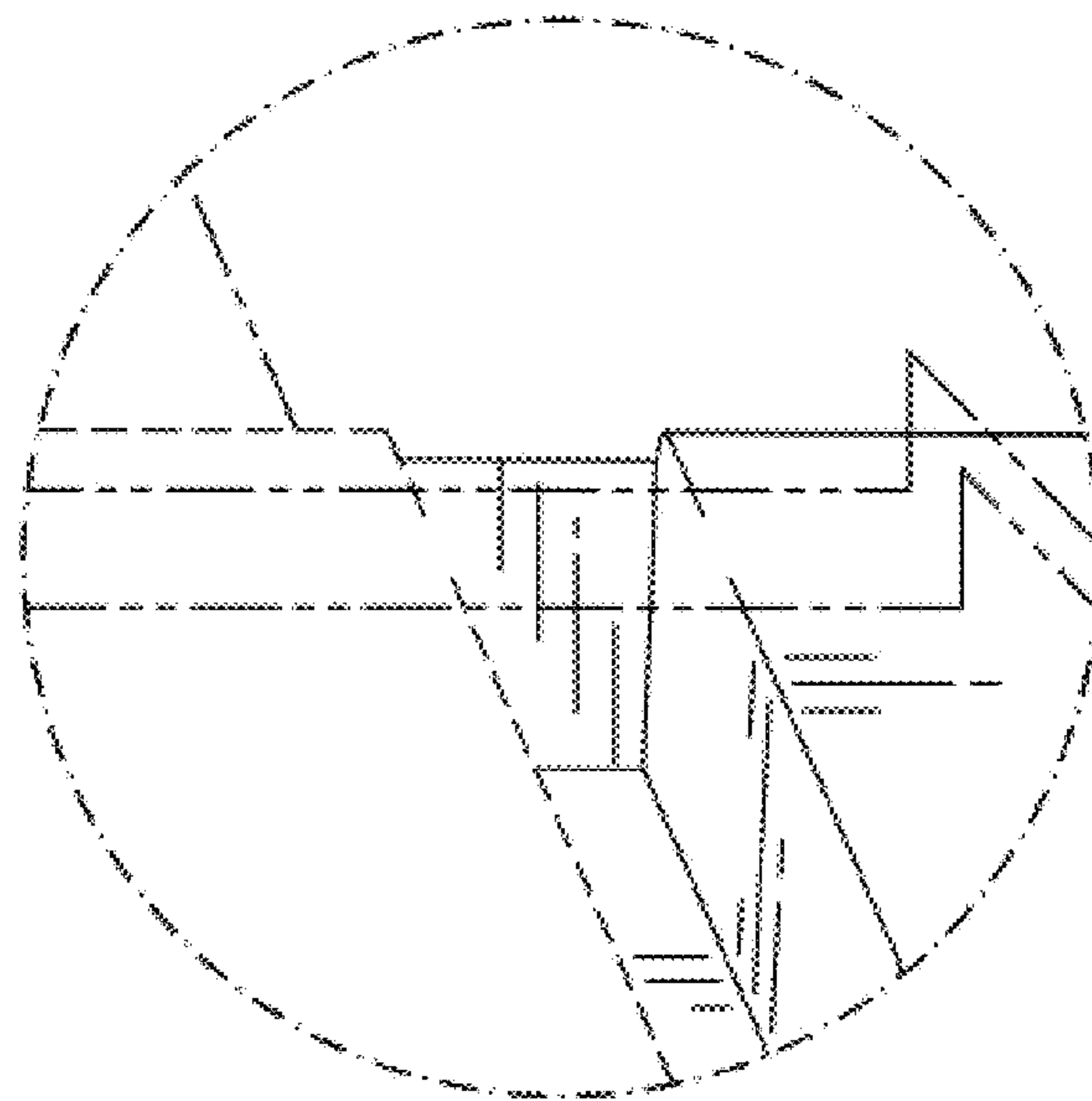


FIG. 4

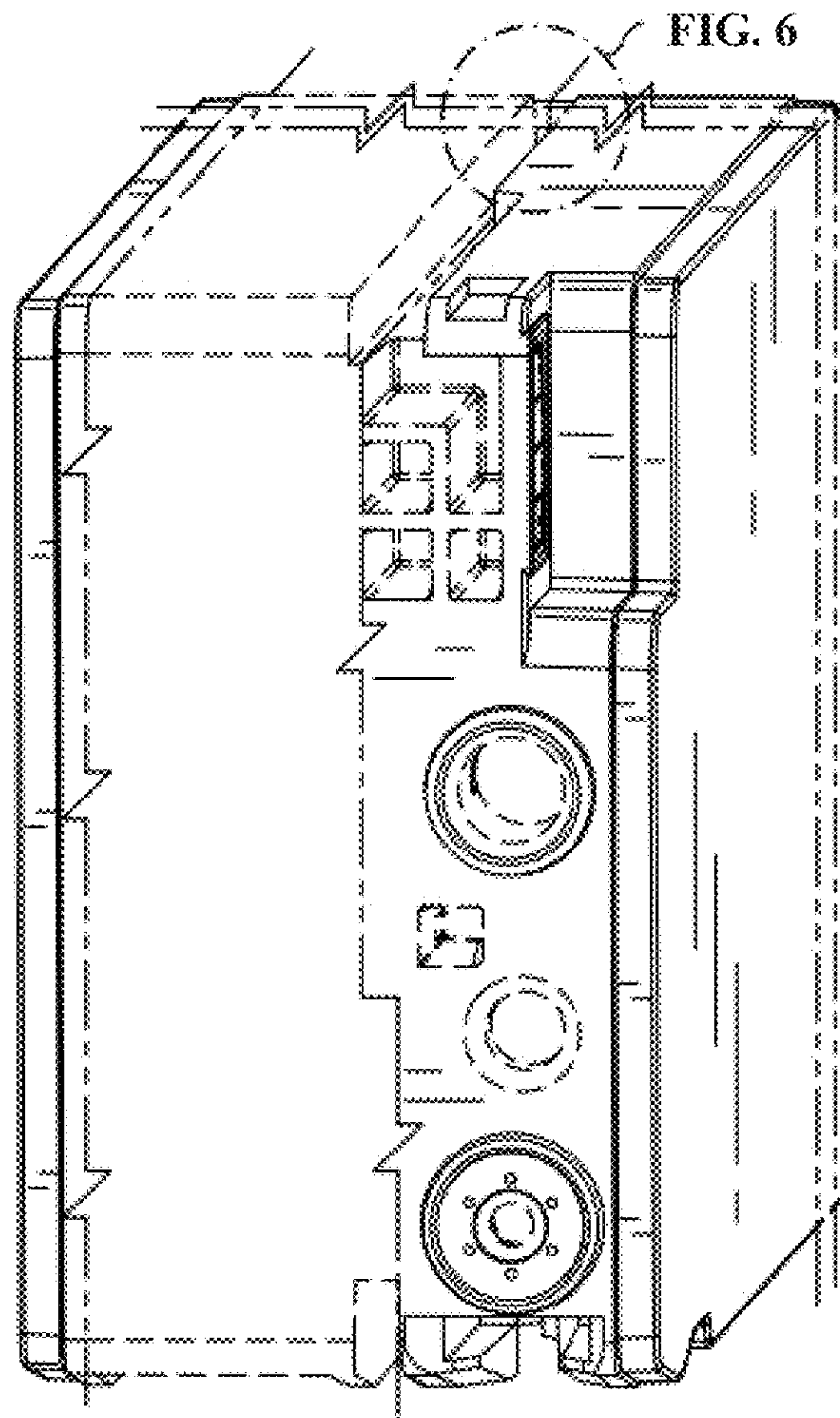


FIG. 5

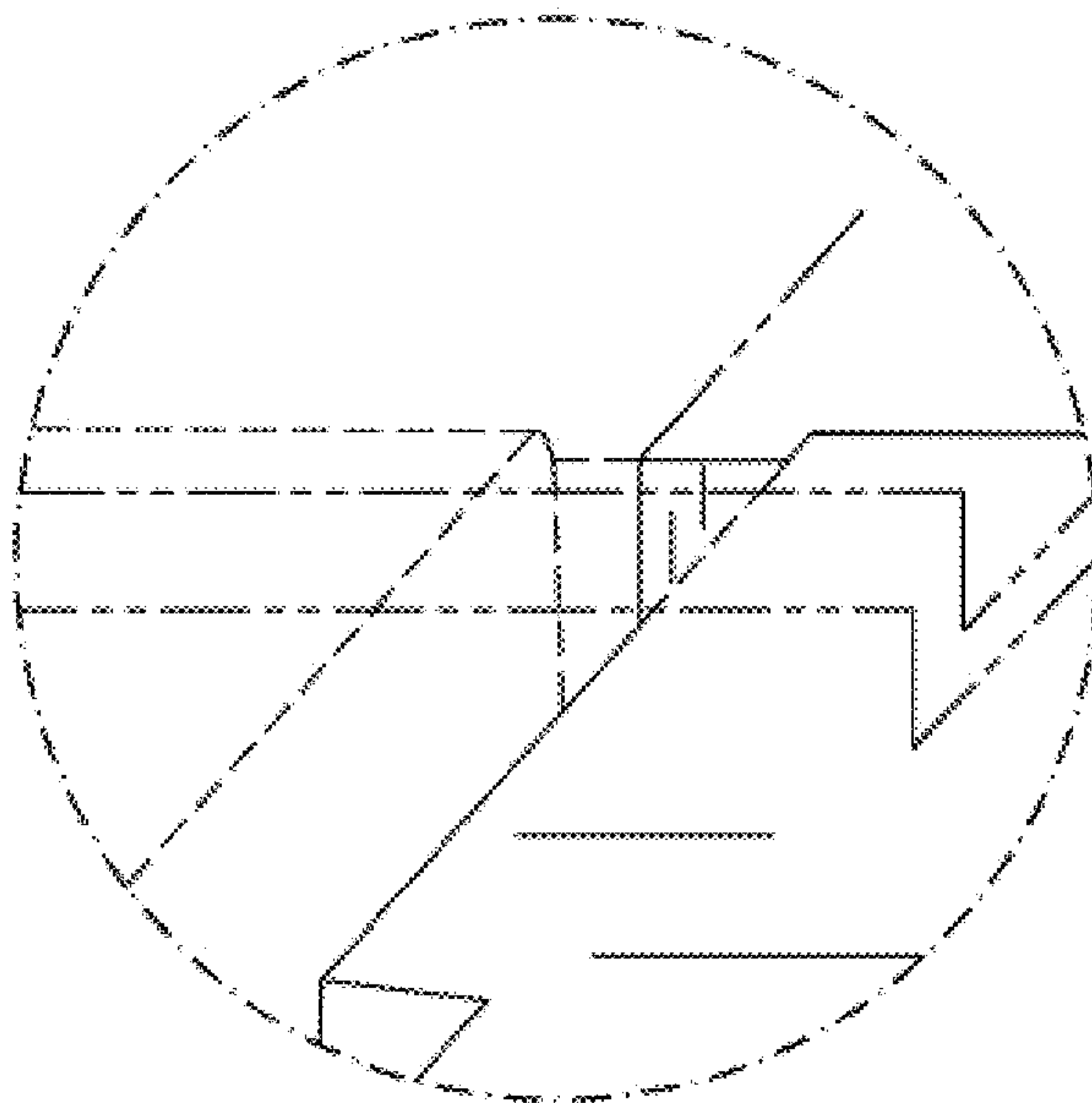


FIG. 6

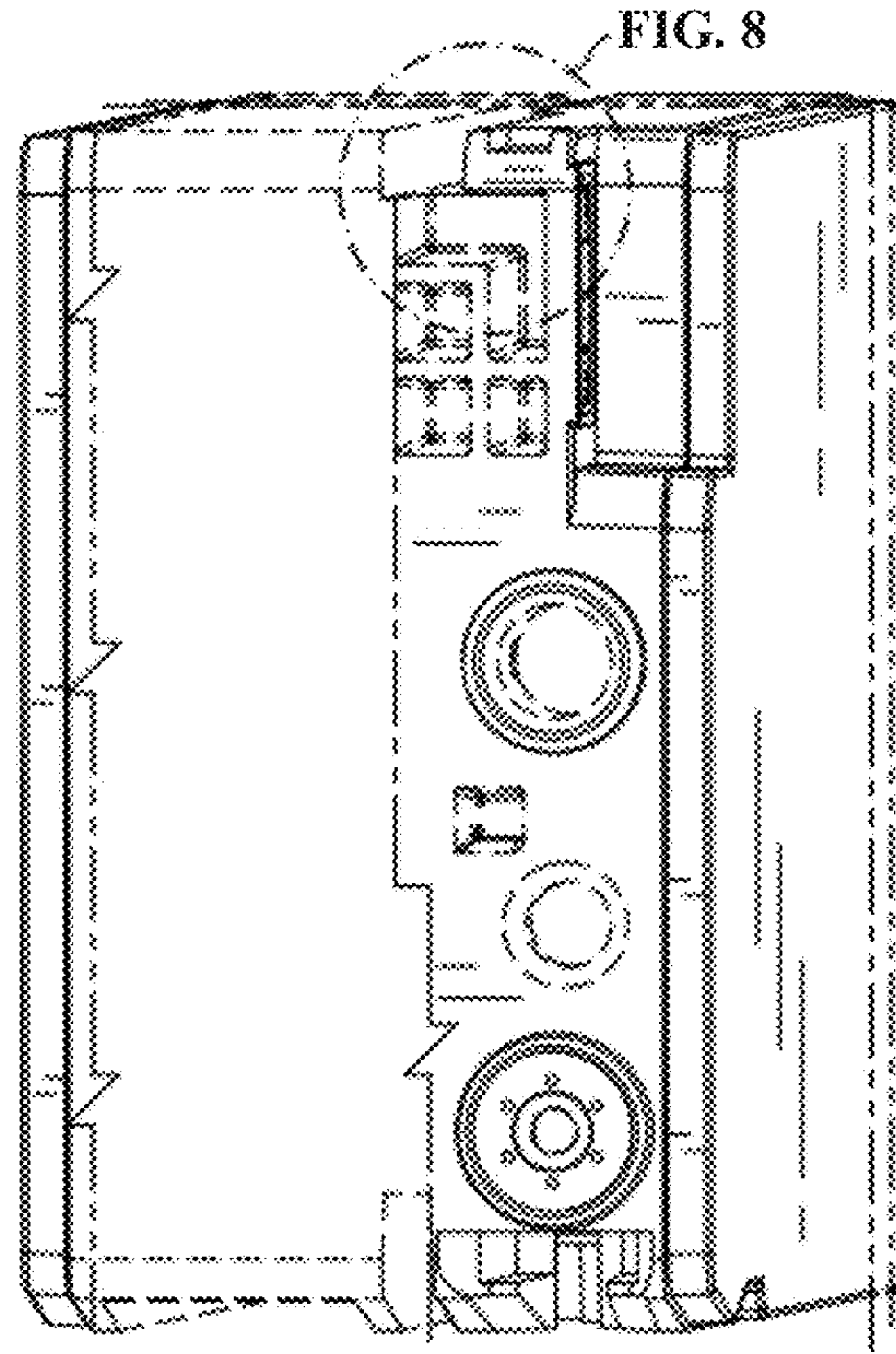


FIG. 7

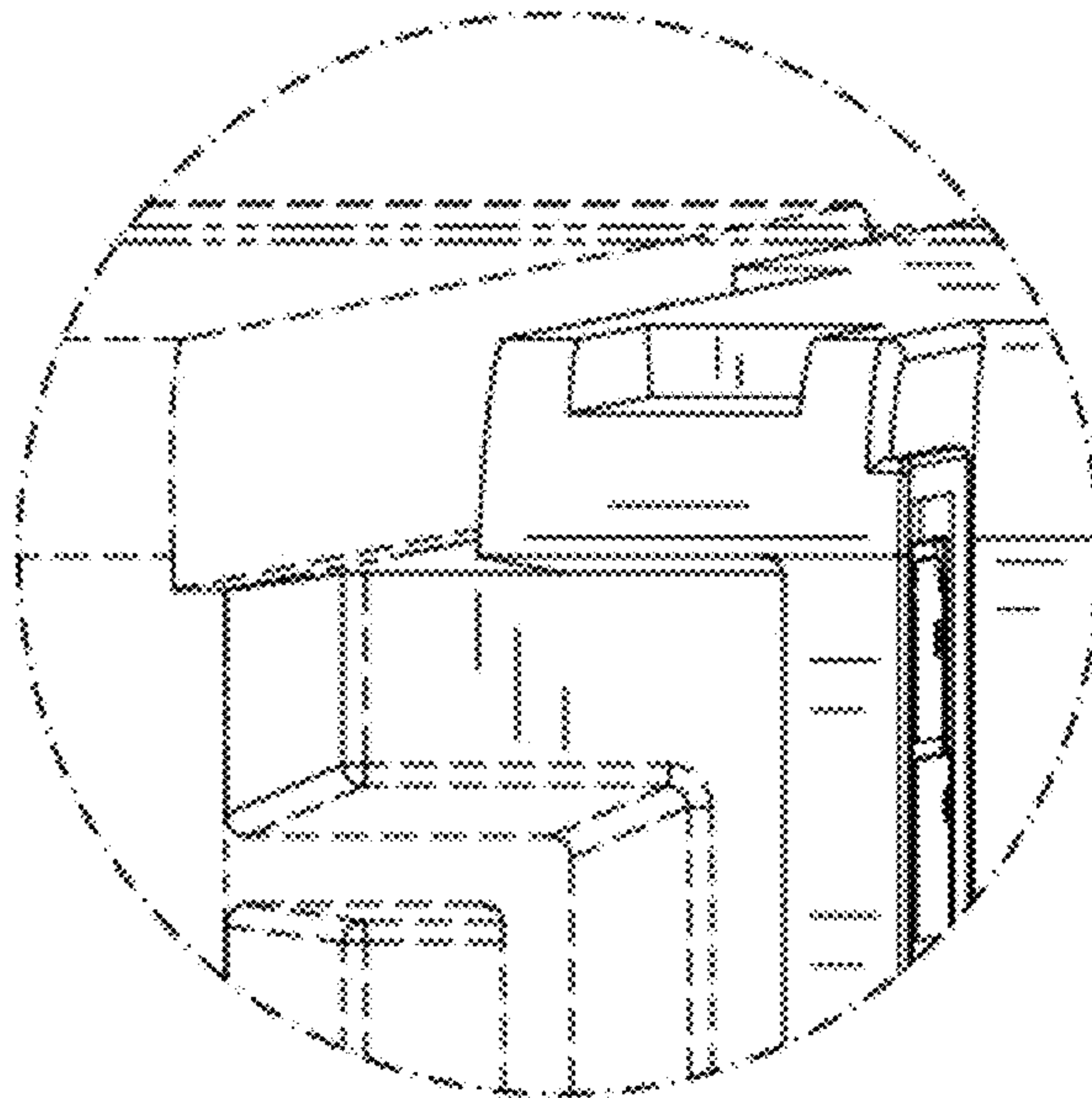


FIG. 8

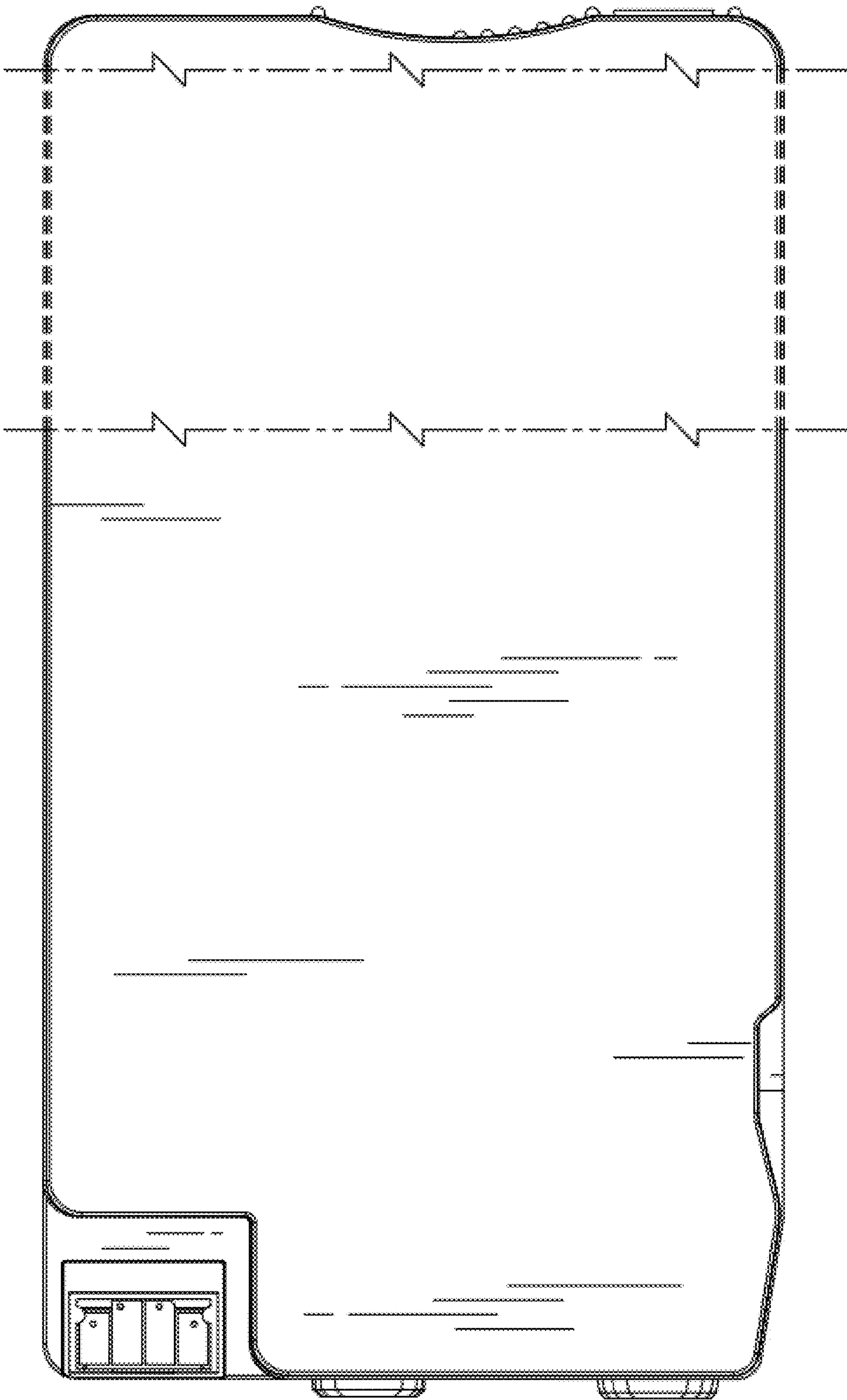


FIG. 9

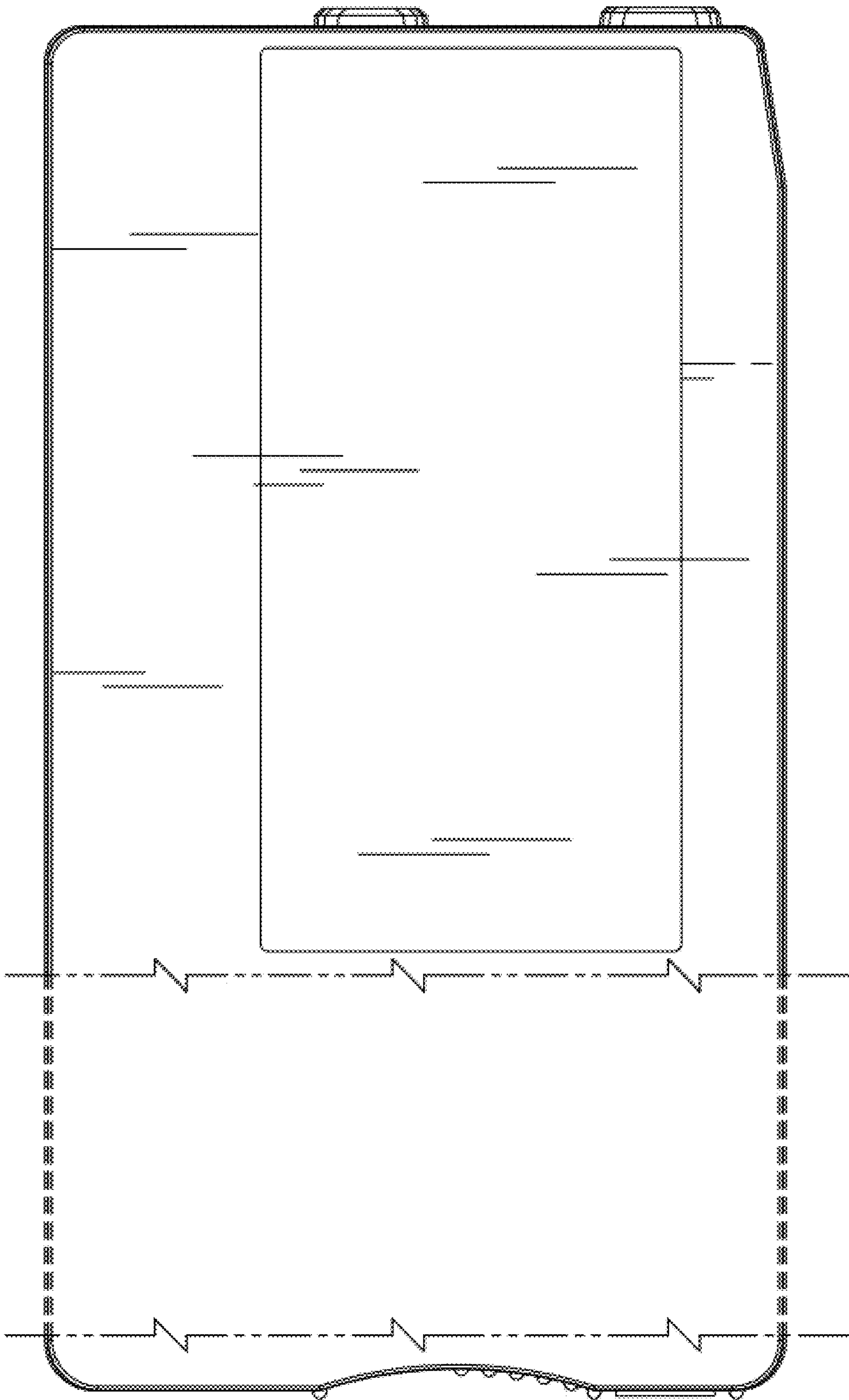


FIG. 10

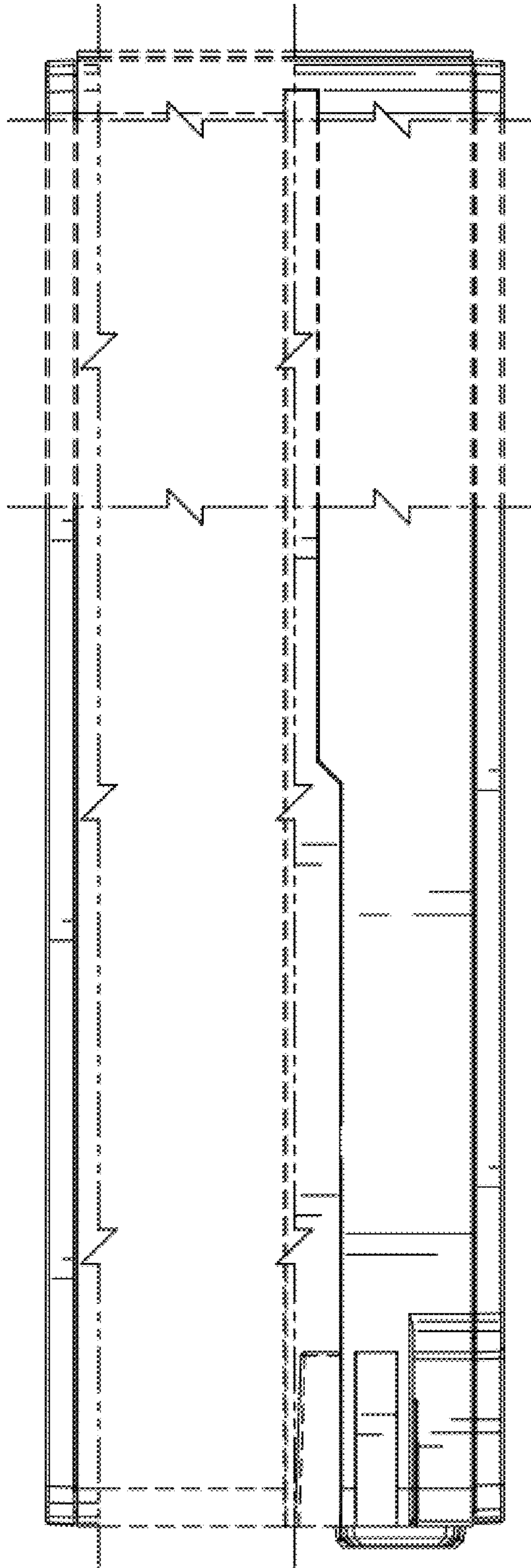


FIG. 11

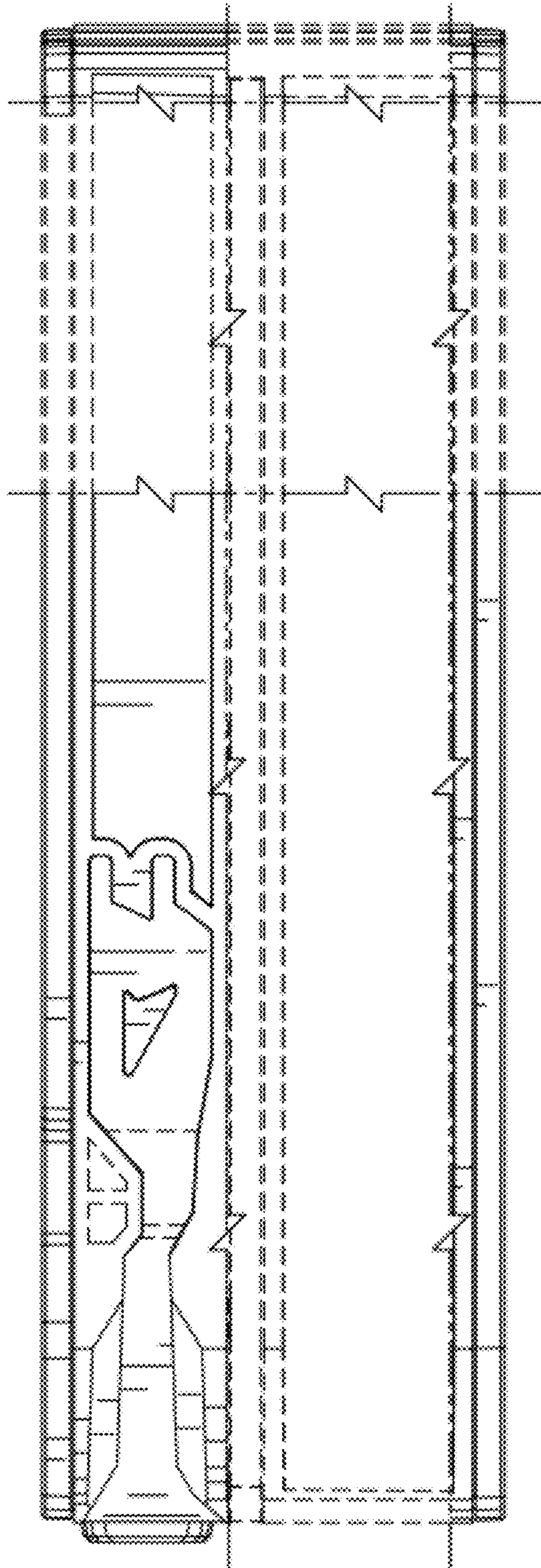


FIG. 12

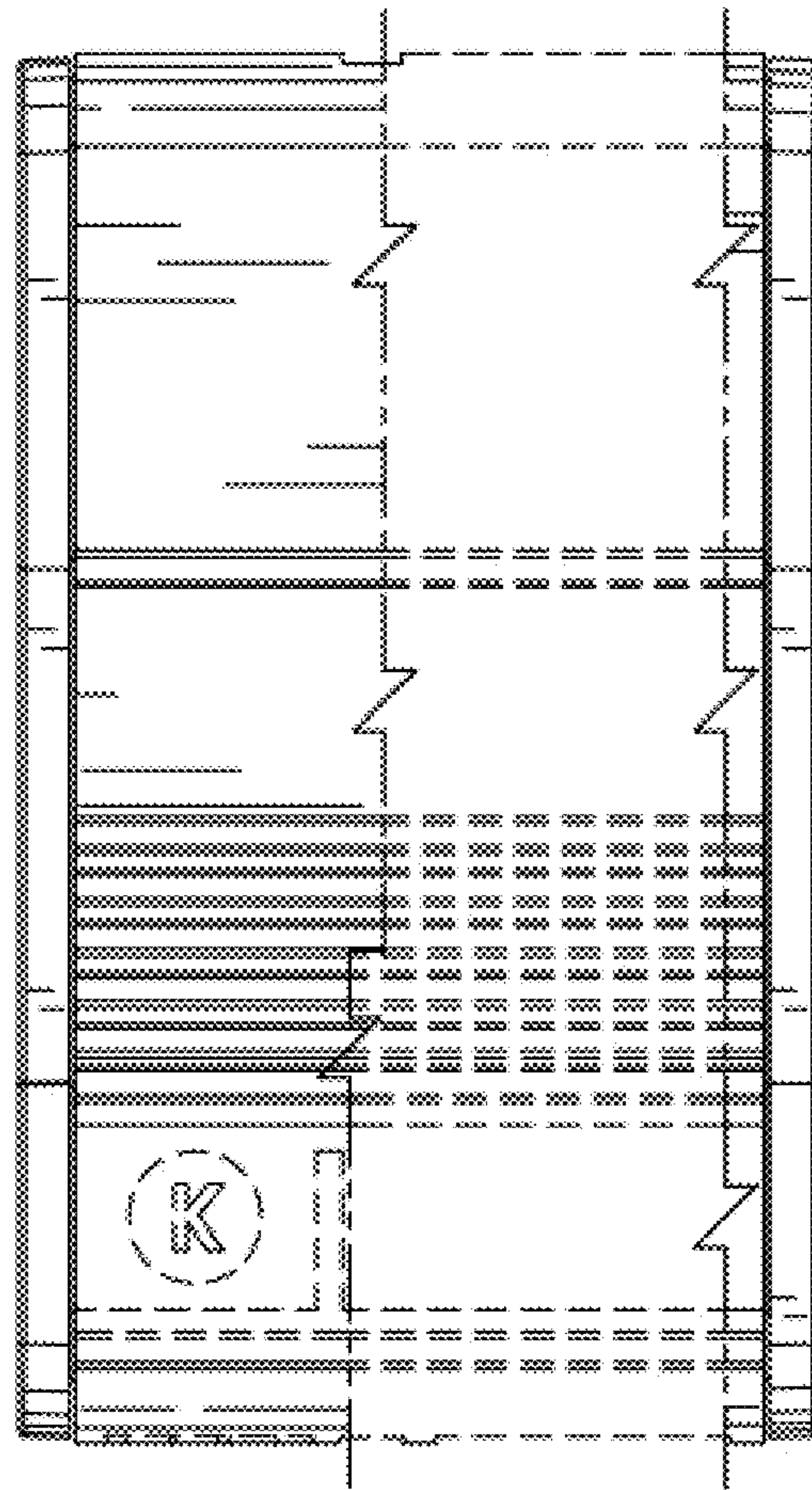


FIG. 13

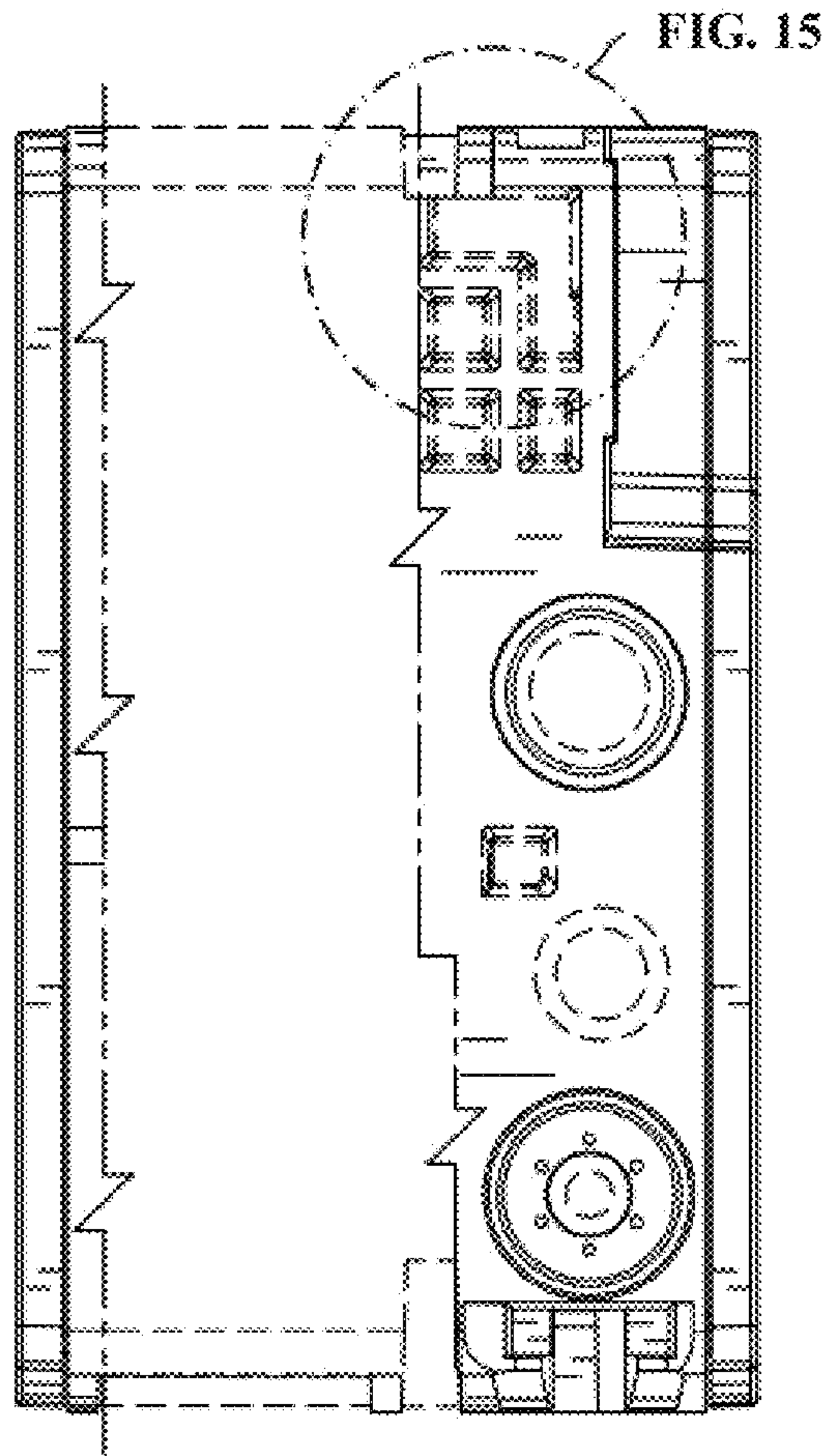


FIG. 14

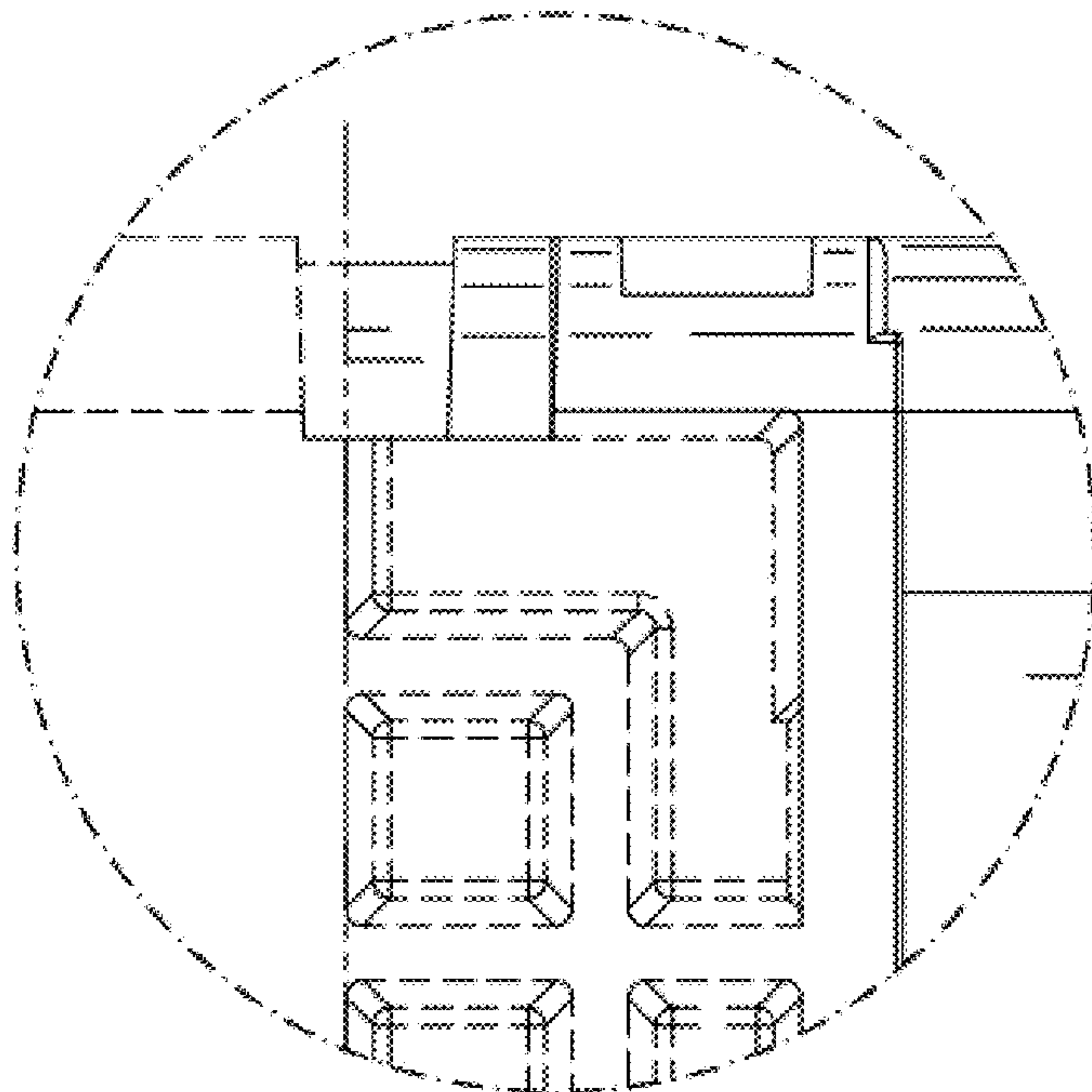


FIG. 15