

US00D875822S

(12) **United States Design Patent**  
**Dayonot**

(10) **Patent No.:** **US D875,822 S**

(45) **Date of Patent:** **\*\* \*Feb. 18, 2020**

- (54) **PIANO**
- (71) Applicant: **Timothy M. Dayonot**, Oakland, CA  
(US)
- (72) Inventor: **Timothy M. Dayonot**, Oakland, CA  
(US)
- (\*) Notice: This patent is subject to a terminal disclaimer.
- (\*\*) Term: **15 Years**
- (21) Appl. No.: **29/561,754**
- (22) Filed: **Apr. 19, 2016**

D191,963 S *	12/1961	Janssen	.....	D17/7
D219,404 S *	12/1970	White	.....	D17/8
D252,964 S *	9/1979	Bowman, Jr.	.....	D17/7
D255,366 S *	6/1980	Karaki	.....	D17/8
4,729,276 A *	3/1988	Cutler	.....	G10C 3/12 84/425
D345,967 S *	4/1994	Kroner	.....	D14/335
D386,514 S *	11/1997	Nakada	.....	D17/7
D499,443 S *	12/2004	Ohno	.....	D17/7
D510,592 S *	10/2005	Katsumata	.....	D17/7
D555,190 S *	11/2007	Saito	.....	D17/7
D565,641 S *	4/2008	Katsumata	.....	D17/7
D577,056 S *	9/2008	Onishi	.....	D17/1
D595,336 S *	6/2009	Hecht	.....	D17/1
D609,267 S *	2/2010	Ono	.....	D17/8
D670,757 S *	11/2012	Suzuki	.....	D17/9
D718,375 S *	11/2014	Okamura	.....	D17/7
D760,832 S *	7/2016	Dayonot	.....	D17/9
D774,127 S *	12/2016	Mitsubishi	.....	D17/7

**Related U.S. Application Data**

- (62) Division of application No. 29/508,201, filed on Nov. 4, 2014, now Pat. No. Des. 760,832.
- (51) **LOC (12) Cl.** ..... **17-01**
- (52) **U.S. Cl.**  
USPC ..... **D17/9**
- (58) **Field of Classification Search**  
USPC ..... D6/513, 583, 585, 588, 592, 707;  
D14/217, 341, 345, 346; D17/1, 2, 4, 7,  
D17/8, 9, 24, 99; D21/353, 405, 409  
CPC ... A63H 5/00; G10C 1/00; G10C 1/02; G10C  
1/04; G10C 3/00; G10C 3/12; G10F 1/02;  
G10F 3/00; G10H 1/00  
See application file for complete search history.

**References Cited**

**U.S. PATENT DOCUMENTS**

D55,888 S *	7/1920	Sandlass	.....	D17/7
D156,227 S *	11/1949	Gannuscio	.....	D17/2
D168,962 S *	3/1953	Millington et al.	.....	D17/8

\* cited by examiner

*Primary Examiner* — Susan E Krakower  
*Assistant Examiner* — L. A. Grabenstetter  
 (74) *Attorney, Agent, or Firm* — Christopher Pilling

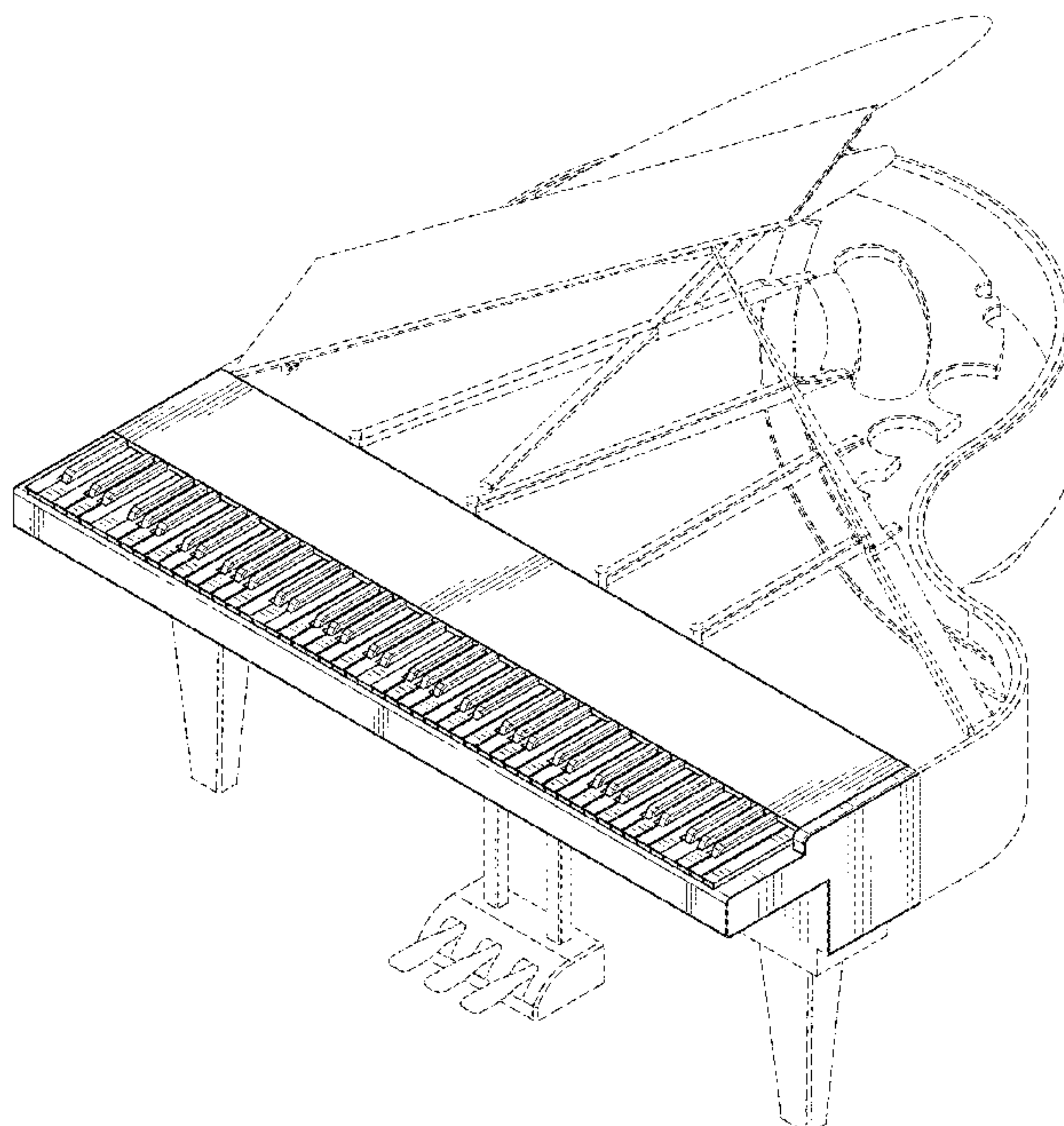
(57) **CLAIM**

The ornamental design for a piano, substantially as shown and described.

**DESCRIPTION**

FIG. 1 is a perspective view of a piano showing my new design;  
 FIG. 2 is a right side view thereof;  
 FIG. 3 is a left side view thereof;  
 FIG. 4 is a front view thereof; and,  
 FIG. 5 is a top plan view thereof.  
 The broken lines and unshaded surfaces depict portions of the piano that form no part of the claimed design.

**1 Claim, 5 Drawing Sheets**



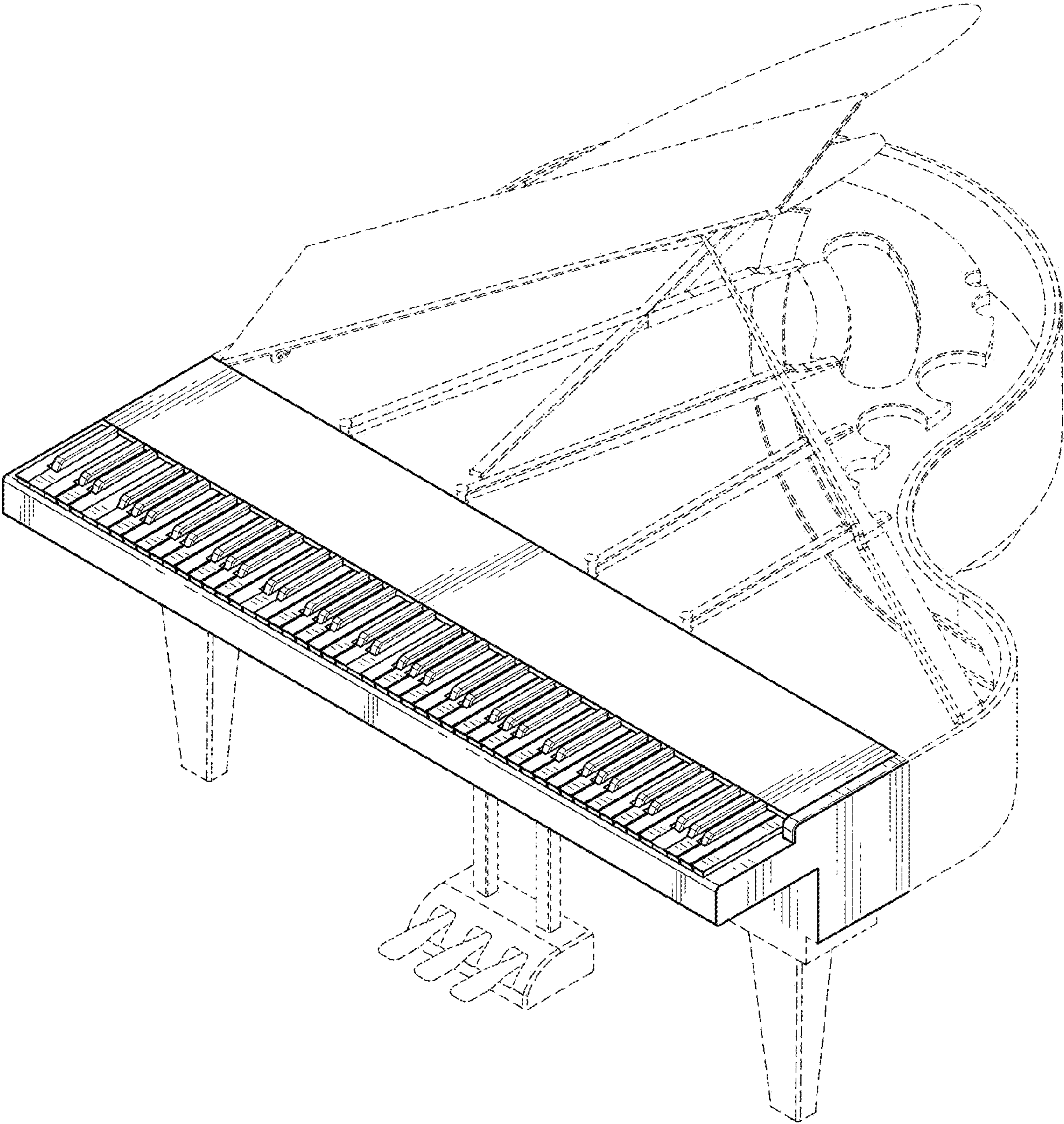


Fig. 1

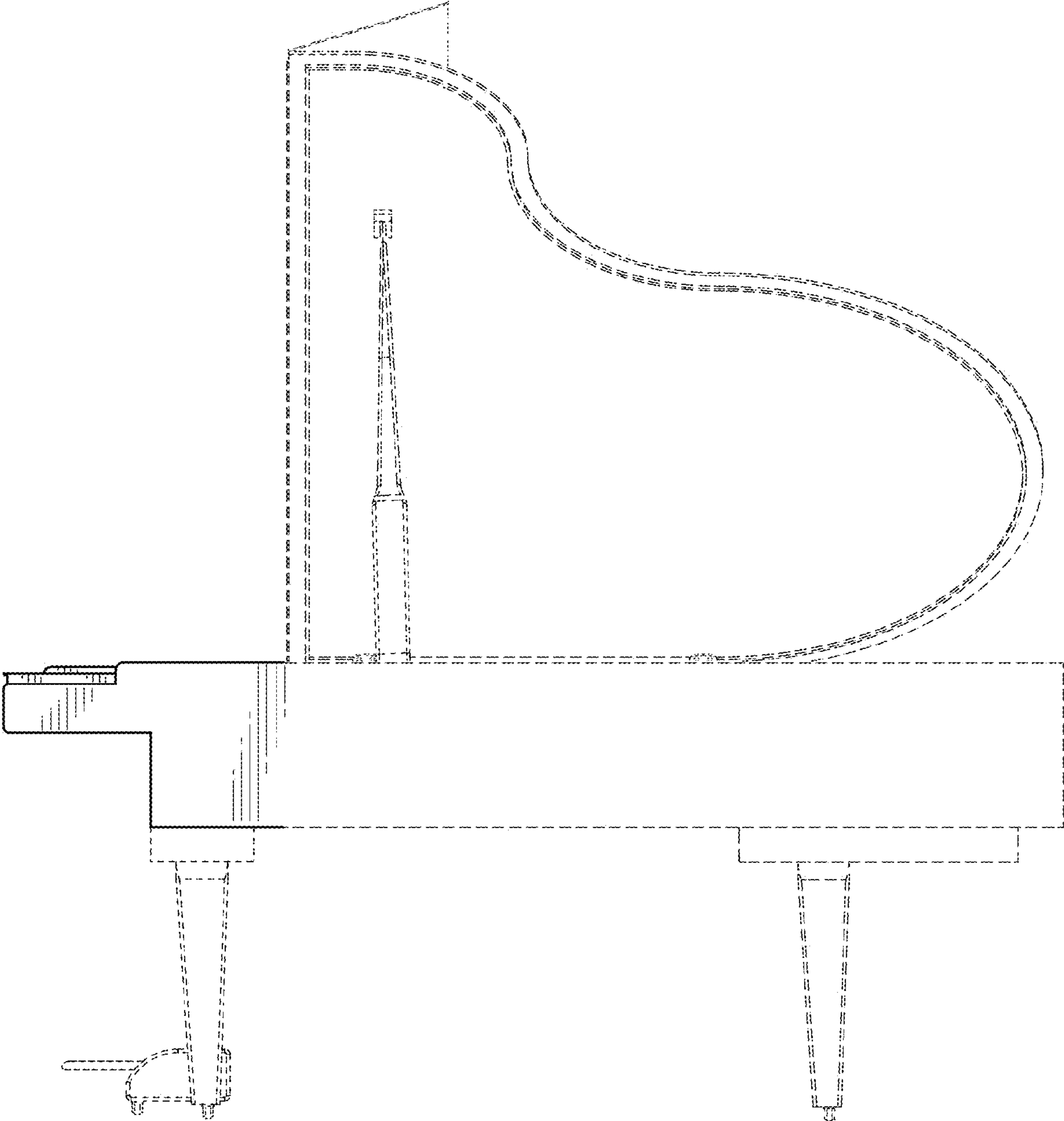


Fig. 2

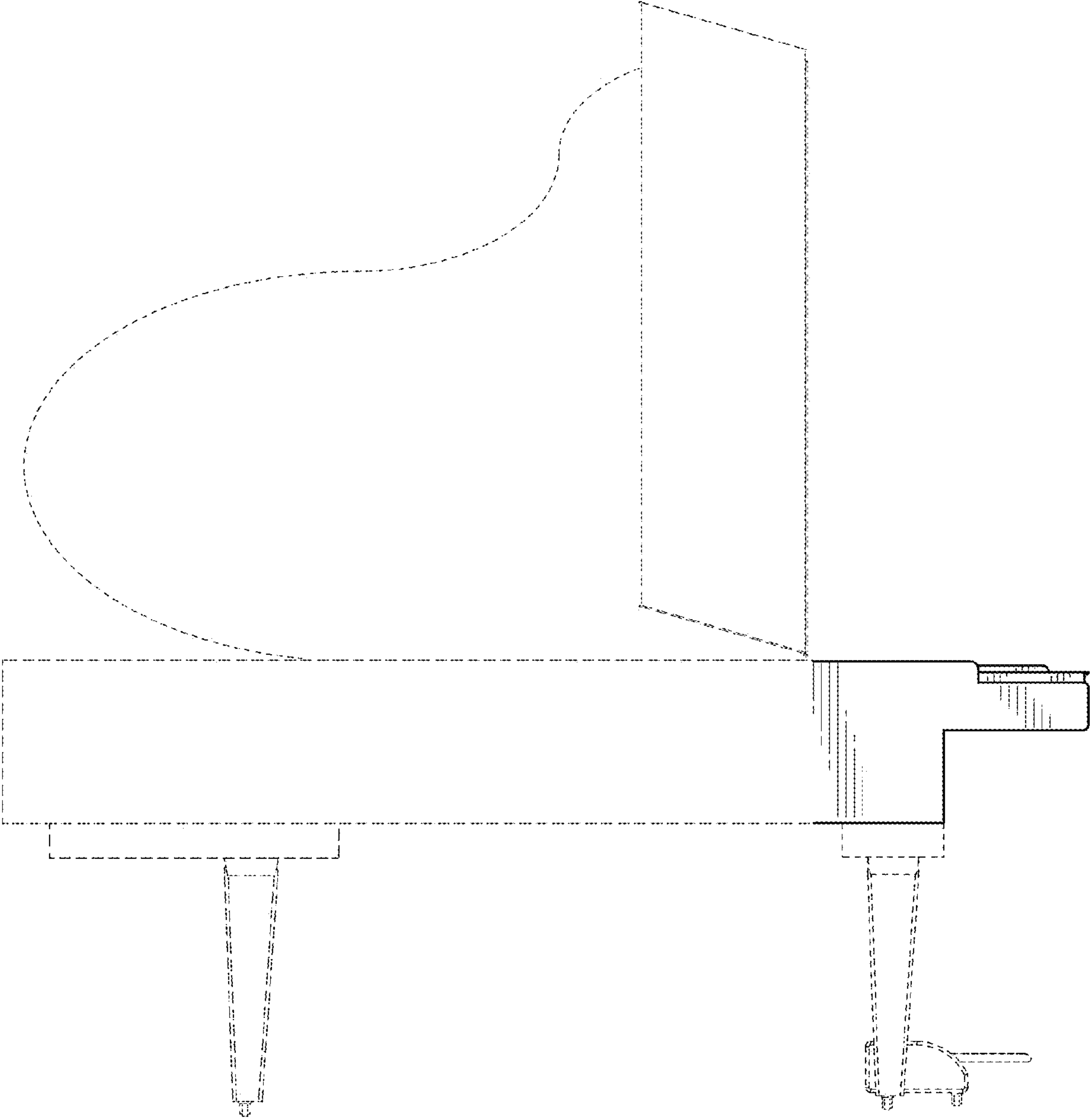


Fig. 3



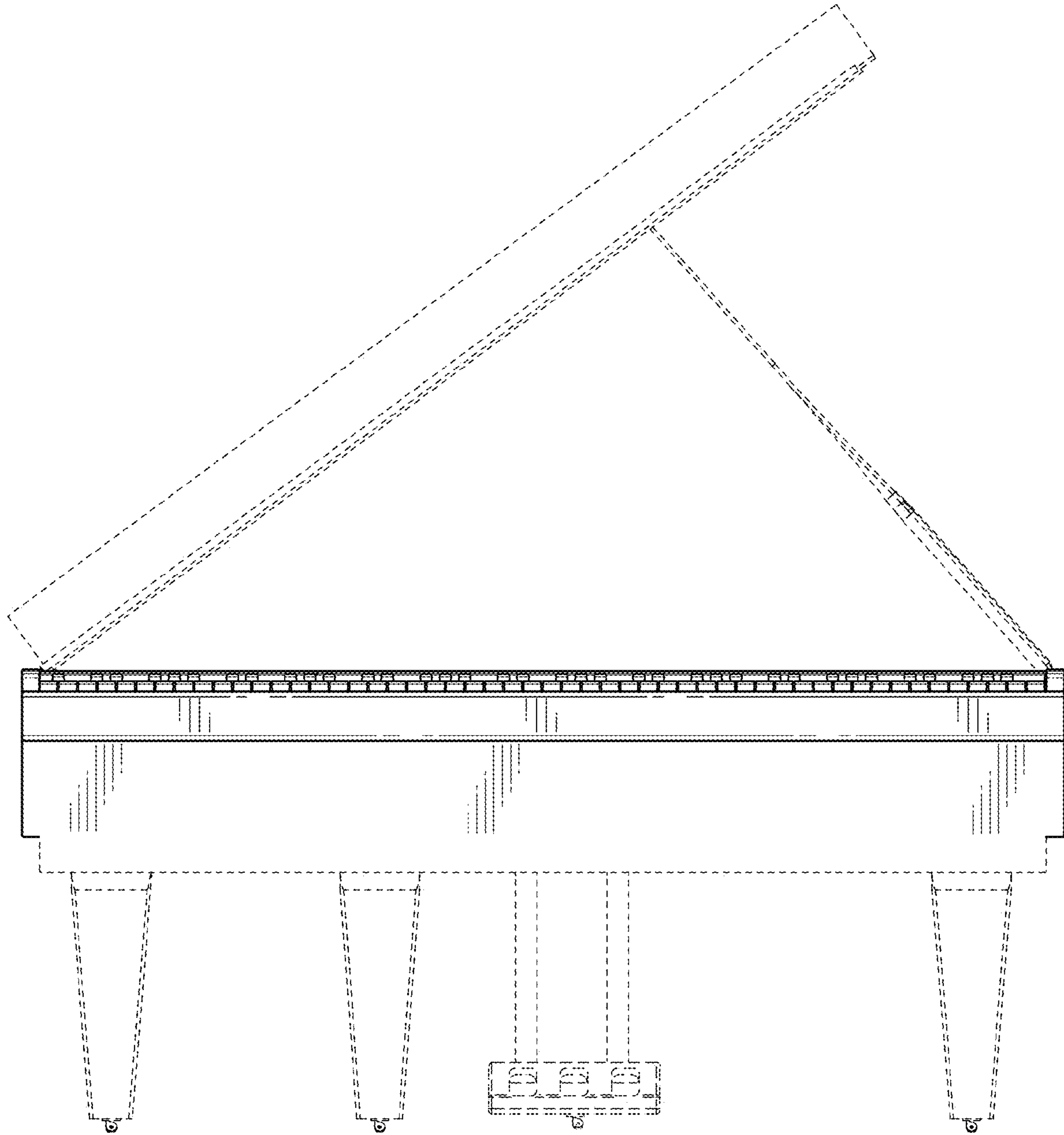


Fig. 4

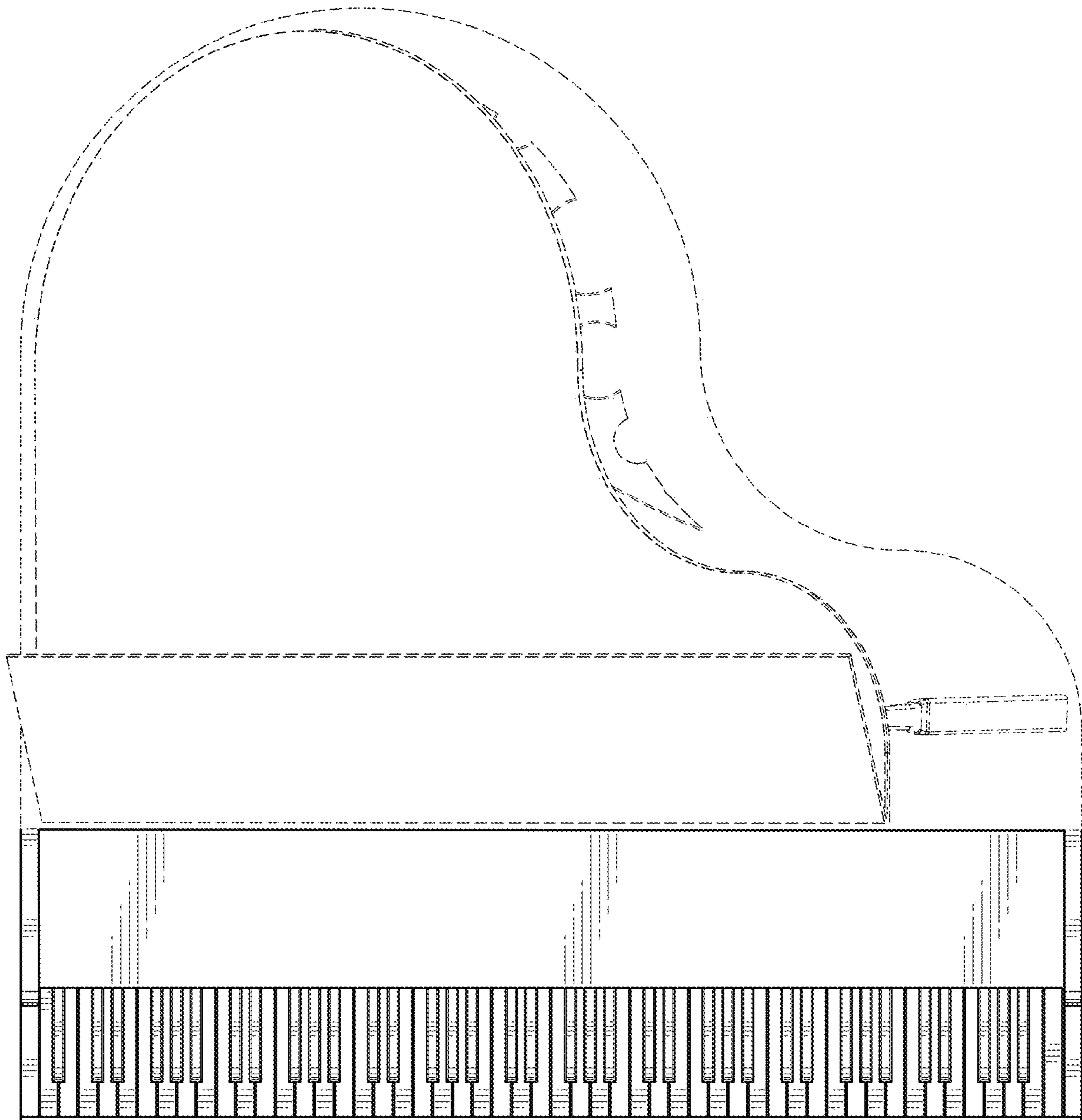


Fig. 5