



US00D875821S

(12) **United States Design Patent**
Hu

(10) **Patent No.:** **US D875,821 S**

(45) **Date of Patent:** **** Feb. 18, 2020**

- (54) **FIBER FEEDING DISPLAY GLASSES**
- (71) Applicant: **Darwin Hu**, San Jose, CA (US)
- (72) Inventor: **Darwin Hu**, San Jose, CA (US)
- (73) Assignee: **Snail Innovation Institute**, San Jose, CA (US)
- (**) Term: **15 Years**
- (21) Appl. No.: **29/635,091**
- (22) Filed: **Jan. 26, 2018**
- (51) **LOC (12) Cl.** **16-06**
- (52) **U.S. Cl.**
USPC **D16/336**
- (58) **Field of Classification Search**
USPC D16/101, 300-342; D14/372;
D29/109-110; 351/41, 42, 44, 45-46,
351/48-49, 59, 61, 63, 66, 67, 69, 71, 72,
351/76, 77, 78, 83, 87, 88, 93, 94,
351/99-104, 110-113, 124-126, 130-132,
351/136-137, 140-153; 2/13, 15,
2/426-432, 447-449, 441, 434-437
CPC . G02C 5/16; G02C 5/14; G02C 5/146; G02C
5/2254; G02C 5/008; G02C 2200/08;
G02C 1/06; G02C 11/02; G02C 11/04;
G02C 2200/22; A61M 2021/0044; A63B
33/002
See application file for complete search history.

- (56) **References Cited**
U.S. PATENT DOCUMENTS
D287,021 S * 12/1986 Johnson D16/208
4,888,805 A * 12/1989 Karppala, Jr. H04R 1/1066
381/309
4,901,355 A * 2/1990 Moore A61F 9/029
381/327
D342,080 S * 12/1993 Cargle D16/309

- D352,300 S * 11/1994 Gales D14/205
- D569,409 S * 5/2008 Lin D16/301
- D673,995 S * 1/2013 Hodgson D16/300
- D701,557 S * 3/2014 Lee D16/309
- 8,744,113 B1 * 6/2014 Rickards H04R 1/028
379/430
- 8,964,007 B2 * 2/2015 Price H04N 13/30
348/53
- D726,243 S * 4/2015 Raina D16/300
- 9,091,851 B2 * 7/2015 Border G02B 27/0172
- D741,941 S * 10/2015 Armstrong D16/300
- 9,274,338 B2 * 3/2016 Robbins G02B 27/017
- D777,242 S * 1/2017 Seo D16/300
- D788,209 S * 5/2017 Greene D16/300
- D795,952 S * 8/2017 Natsume D16/309
- D800,727 S * 10/2017 Mullins D14/372
- D835,176 S * 12/2018 Mendelsohn D16/300
- D849,822 S * 5/2019 Marron D16/309
- D856,328 S * 8/2019 Xing D14/372

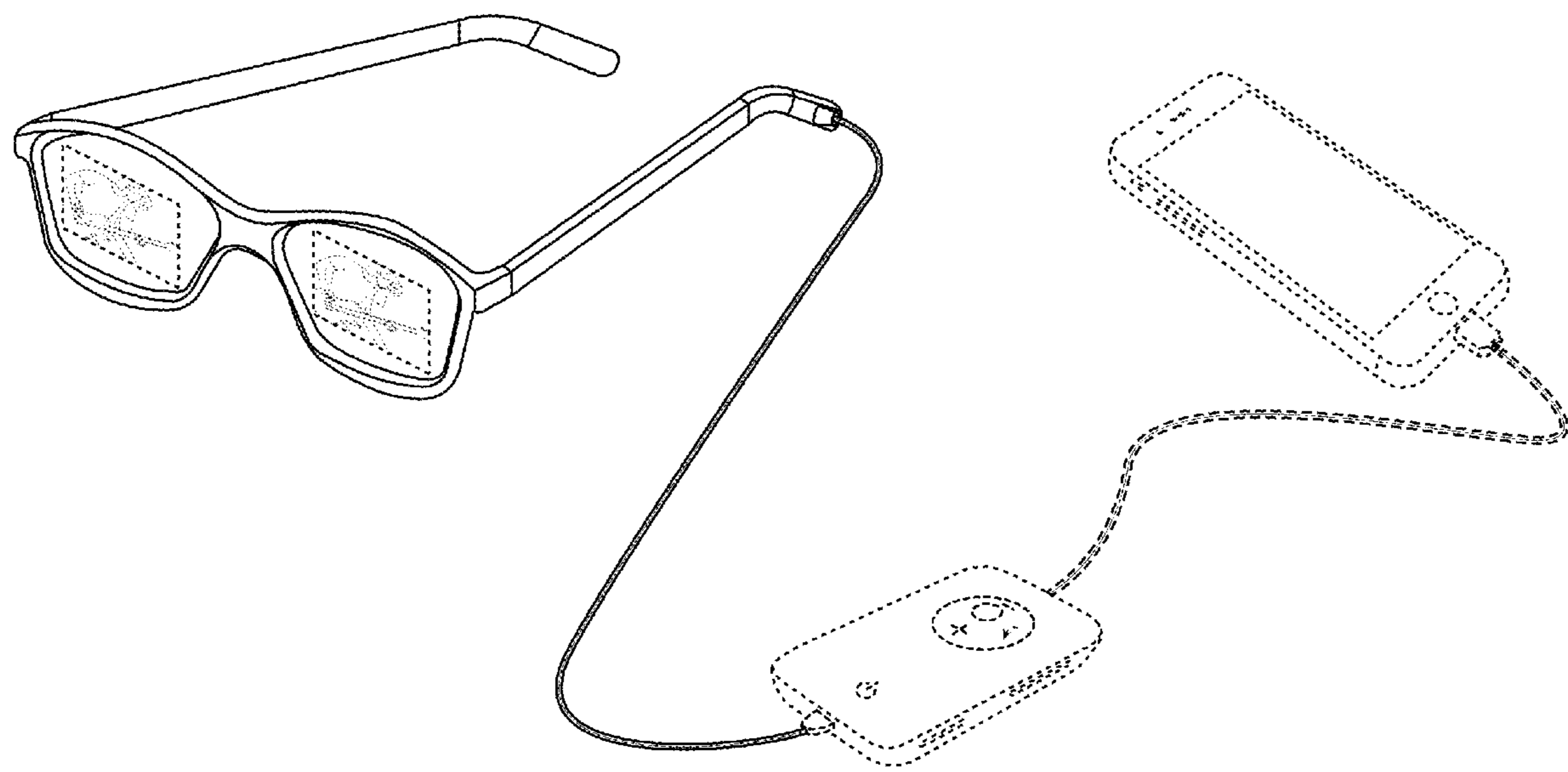
(Continued)

Primary Examiner — Michelle E. Wilson
Assistant Examiner — Sanjeev Paul
(74) *Attorney, Agent, or Firm* — Joe Zheng

(57) **CLAIM**
I claim the ornamental design for fiber feeding display glasses, as shown and described.

DESCRIPTION
FIG. 1 is a front perspective view of fiber feeding display glasses incorporating my new design;
FIG. 2 is a front view thereof;
FIG. 3 is a rear view thereof;
FIG. 4 is a right view thereof;
FIG. 5 is a left view thereof;
FIG. 6 is a bottom view thereof; and,
FIG. 7 is a top view thereof.
The broken line showing on the fiber feeding display glasses is included for the purpose of illustrating only and forms no part of the claimed design.

1 Claim, 4 Drawing Sheets



(56)

References Cited

U.S. PATENT DOCUMENTS

2004/0119663 A1* 6/2004 Wooten G02C 7/101
345/8
2005/0248717 A1* 11/2005 Howell G02C 5/001
351/41
2006/0203998 A1* 9/2006 Ben-Arie G02B 27/017
379/430
2010/0073469 A1* 3/2010 Fateh A61H 5/00
348/62
2011/0193946 A1* 8/2011 Apitz H04N 13/398
348/53
2013/0257693 A1* 10/2013 Uenaka G02B 27/0172
345/8
2014/0185001 A1* 7/2014 Farnam G02C 1/08
351/90
2014/0368787 A1* 12/2014 Gottardi G02C 5/143
351/158
2015/0070596 A1* 3/2015 Gadjali G02B 27/0172
349/11
2016/0050345 A1* 2/2016 Longbotham G02B 27/017
348/47
2016/0189341 A1* 6/2016 Balarajashetty H04N 13/344
13/344
2019/0066381 A1* 2/2019 Estable H04N 7/142
2019/0101984 A1* 4/2019 Talati G06F 3/015
2019/0331936 A1* 10/2019 Allen G02C 11/02

* cited by examiner

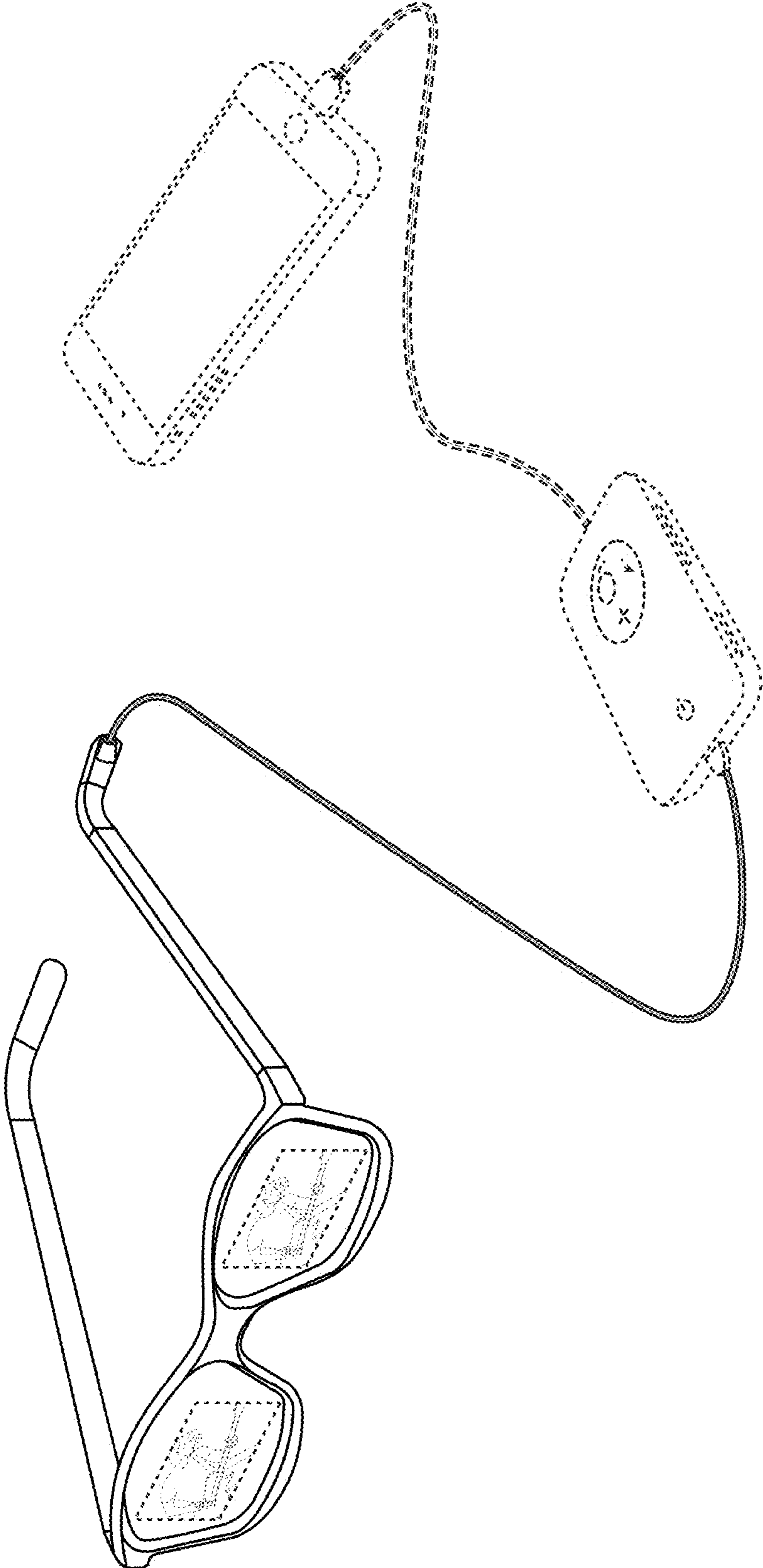


FIG. 1

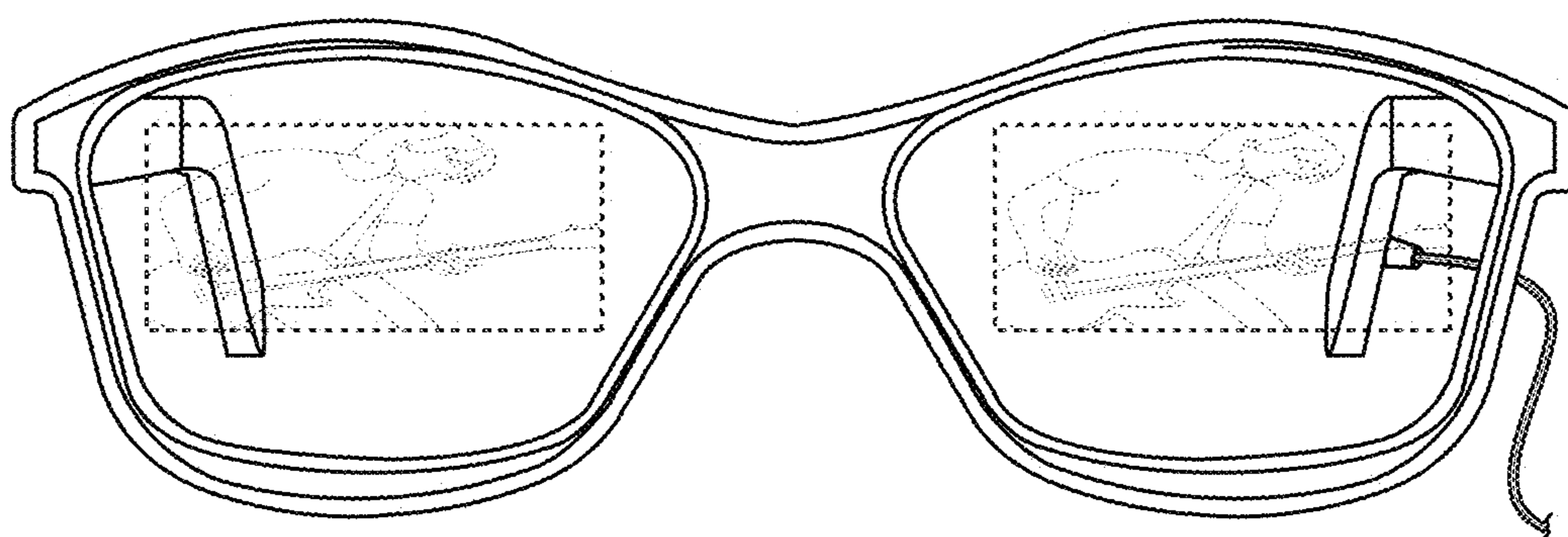


FIG. 2

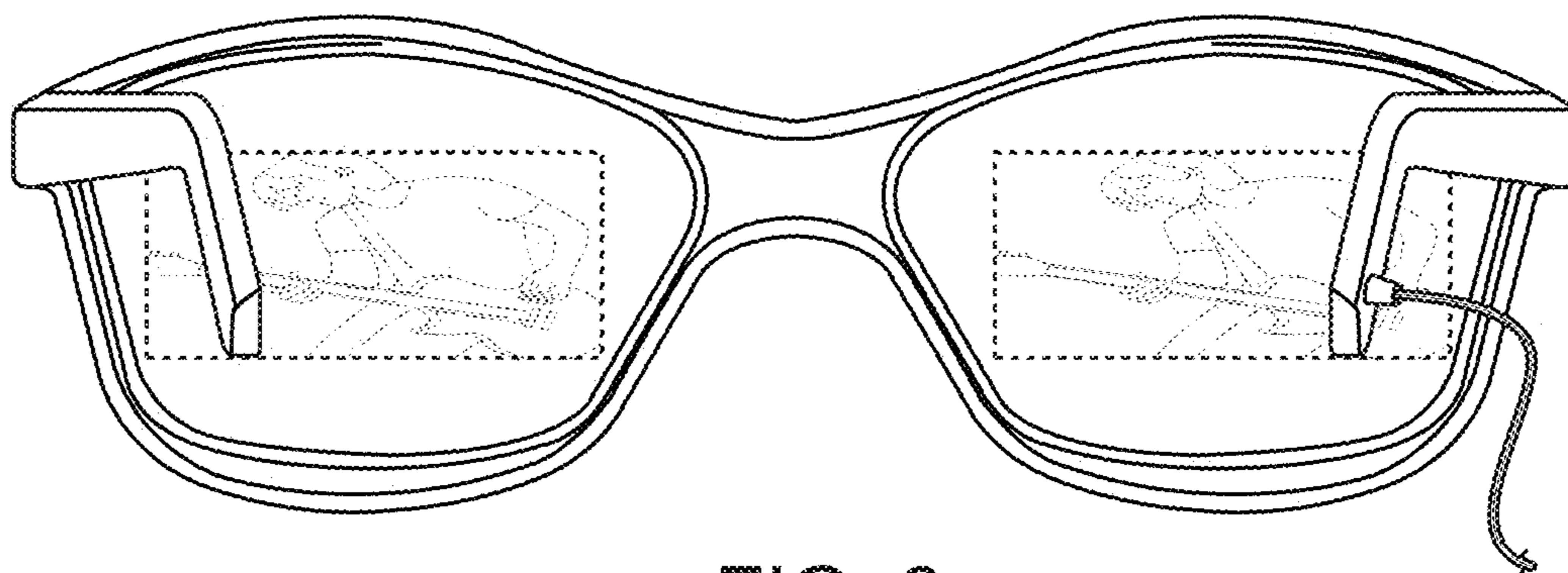


FIG. 3

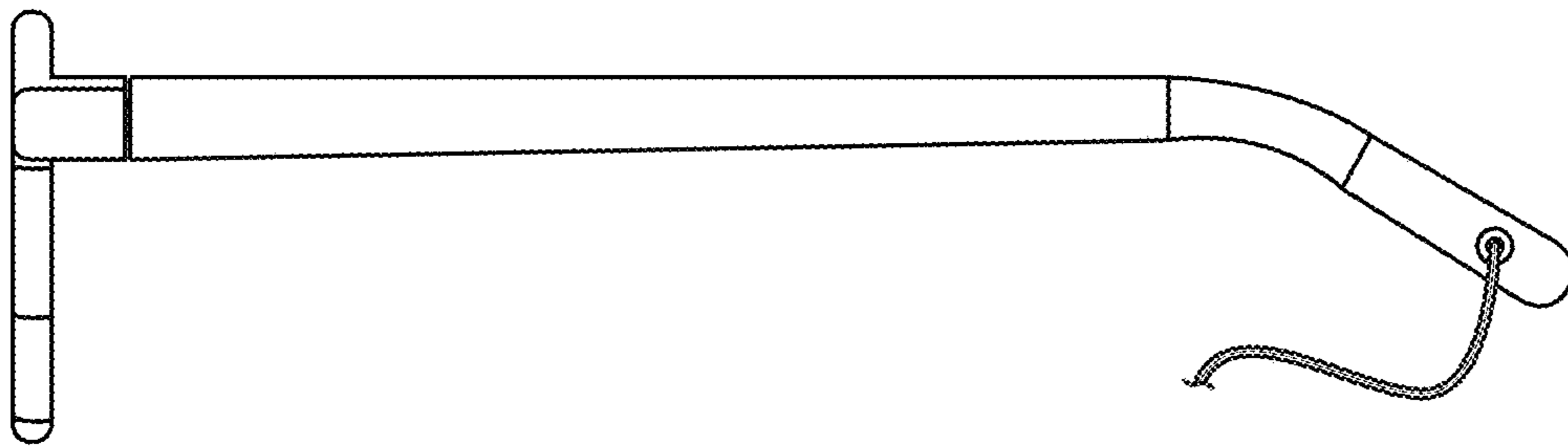


FIG. 4

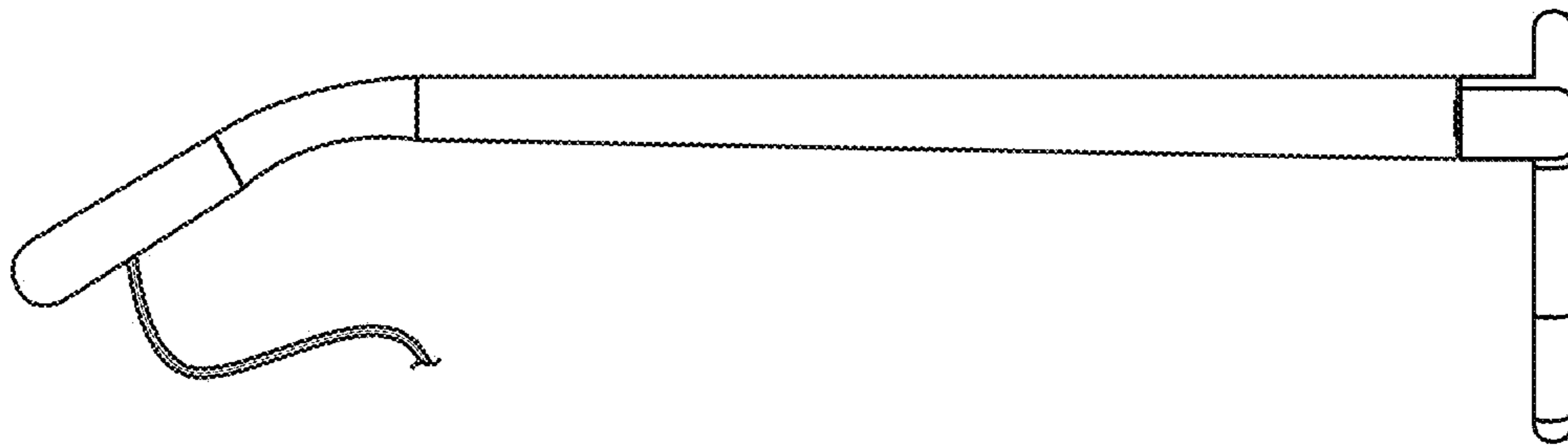


FIG. 5

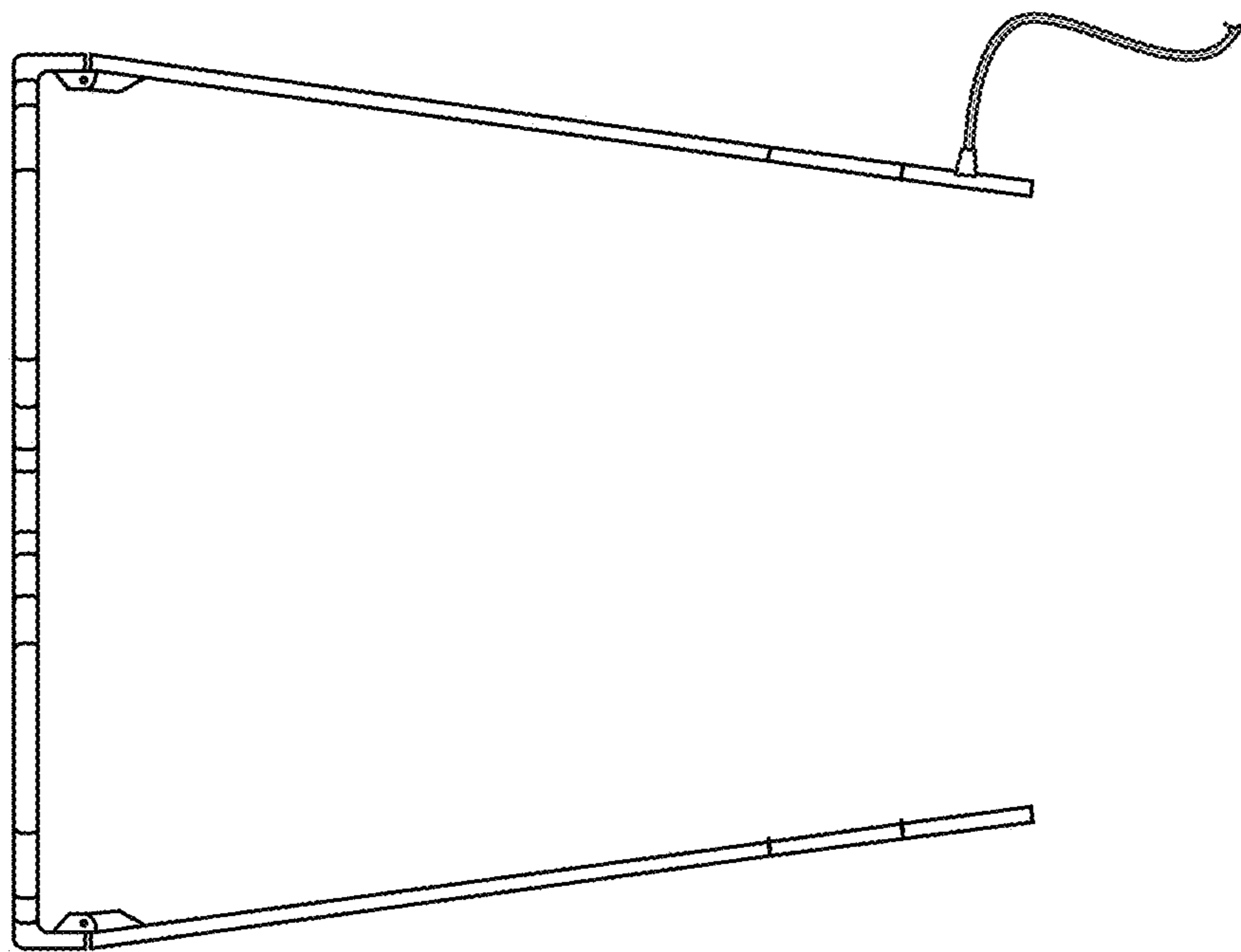


FIG. 6

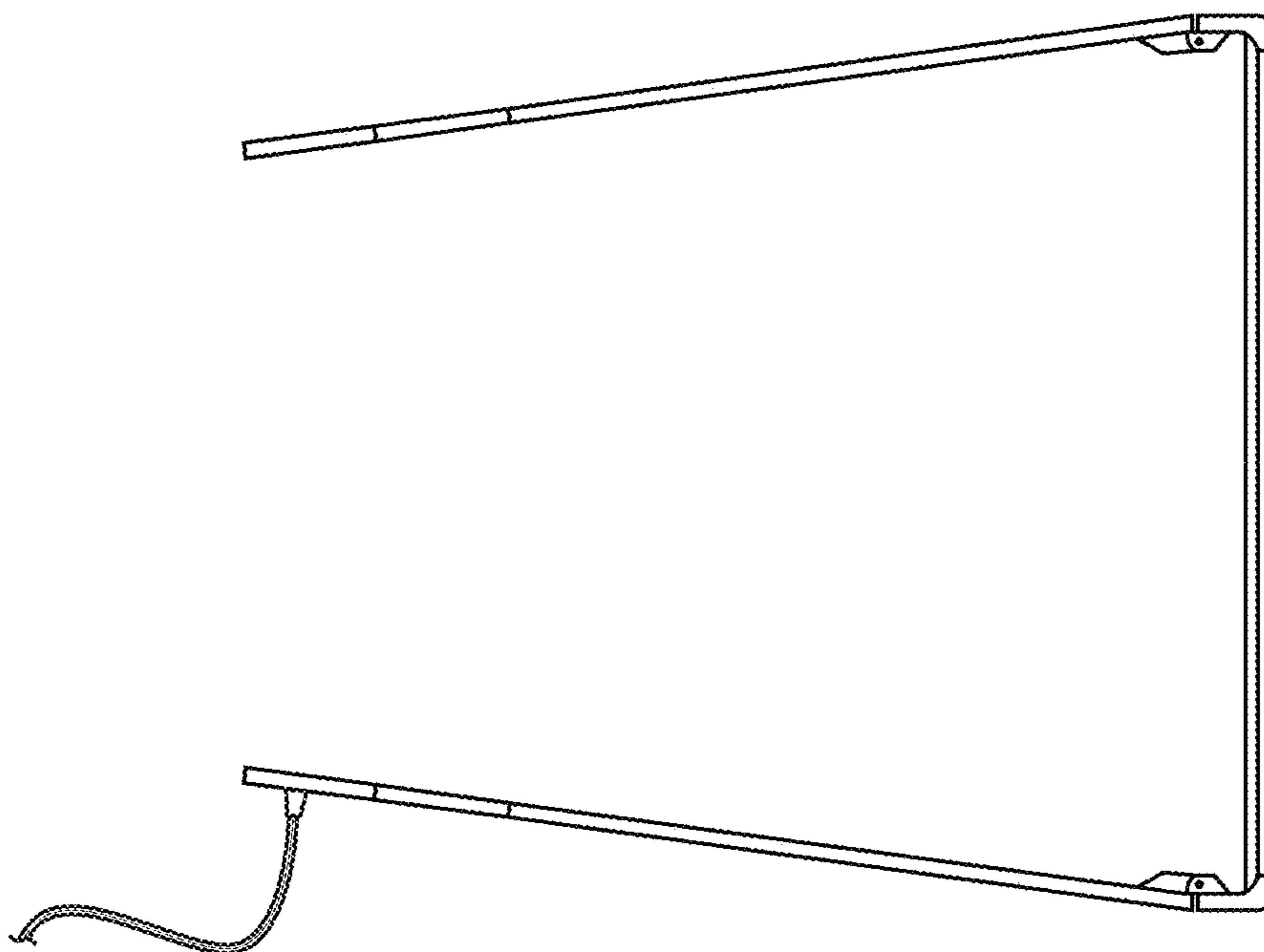


FIG. 7