



US00D875813S

(12) **United States Design Patent**
Fujimoto

(10) **Patent No.:** **US D875,813 S**

(45) **Date of Patent:** **** Feb. 18, 2020**

(54) **CAMERA**

(71) Applicant: **FUJIFILM Corporation**, Tokyo (JP)

(72) Inventor: **Shinichi Fujimoto**, Tokyo (JP)

(73) Assignee: **FUJIFILM Corporation**, Minato-Ku,
Tokyo (JP)

(**) Term: **15 Years**

(21) Appl. No.: **29/613,010**

(22) Filed: **Aug. 7, 2017**

(30) **Foreign Application Priority Data**

Feb. 10, 2017 (JP) 2017-002492

(51) **LOC (12) Cl.** **16-05**

(52) **U.S. Cl.**
USPC **D16/219**

(58) **Field of Classification Search**
USPC D16/200, 202–206, 208, 218, 219, 242;
348/164, 347, 373–376; 396/535,
396/539–541; 250/330, 332
CPC G03B 15/03; G03B 17/02; G03B 17/04;
G03B 17/56; G03B 19/04; H04N 5/2251;
H04N 5/2252; H04N 5/2253; H04N
5/2254; H04N 2101/00; H04N 5/33;
H04N 5/332

See application file for complete search history.

(56) **References Cited**

U.S. PATENT DOCUMENTS

D692,939 S * 11/2013 Huang D16/218
D697,122 S * 1/2014 Ikegame D16/218
D709,543 S * 7/2014 Isozaki D16/218
D733,780 S * 7/2015 Chen D16/202

D744,572 S * 12/2015 Tabuchi D16/218
D754,234 S * 4/2016 Lee D16/218
D754,769 S * 4/2016 Patulski D16/202
D755,274 S * 5/2016 Lee D16/218
D764,559 S * 8/2016 Luo D16/202
D779,577 S * 2/2017 Ikegame D16/211
D781,362 S * 3/2017 Ikegame D16/211
D781,363 S * 3/2017 Ikegame D16/211
D792,497 S * 7/2017 Oliveira D16/208

* cited by examiner

Primary Examiner — Ramzi S Almatrahi

(74) *Attorney, Agent, or Firm* — Sughrue Mion, PLLC

(57) **CLAIM**

The ornamental design for a camera, as shown and described.

DESCRIPTION

FIG. 1 is a top, rear and right side perspective view of a camera showing my new design;
FIG. 2 is a top, rear and left side perspective view thereof;
FIG. 3 is a front elevational view thereof;
FIG. 4 is a rear elevational view thereof;
FIG. 5 is a top plan view thereof;
FIG. 6 is a bottom plan view thereof;
FIG. 7 is a left side elevational view thereof;
FIG. 8 is a right side elevational view thereof;
FIG. 9 is an enlarged rear and right side perspective view around the film pressor section, with the camera body omitted for ease of illustration; and,
FIG. 10 is an enlarged rear and left side perspective view around the film pressor section, with the camera body omitted for ease of illustration.

The broken lines depict portions of the camera in which the design is embodied that form no part of the claimed design.

1 Claim, 10 Drawing Sheets

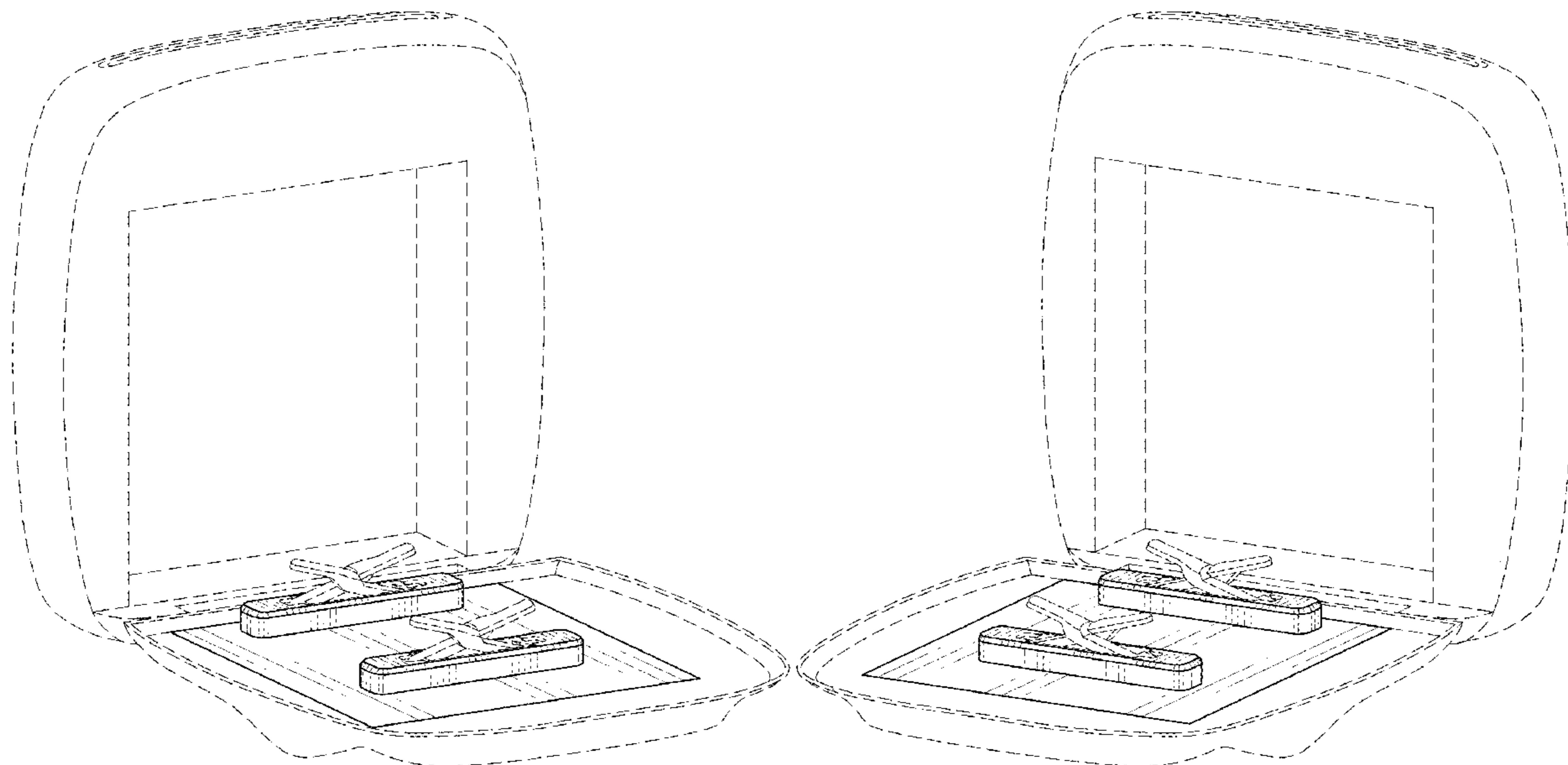


FIG. 1

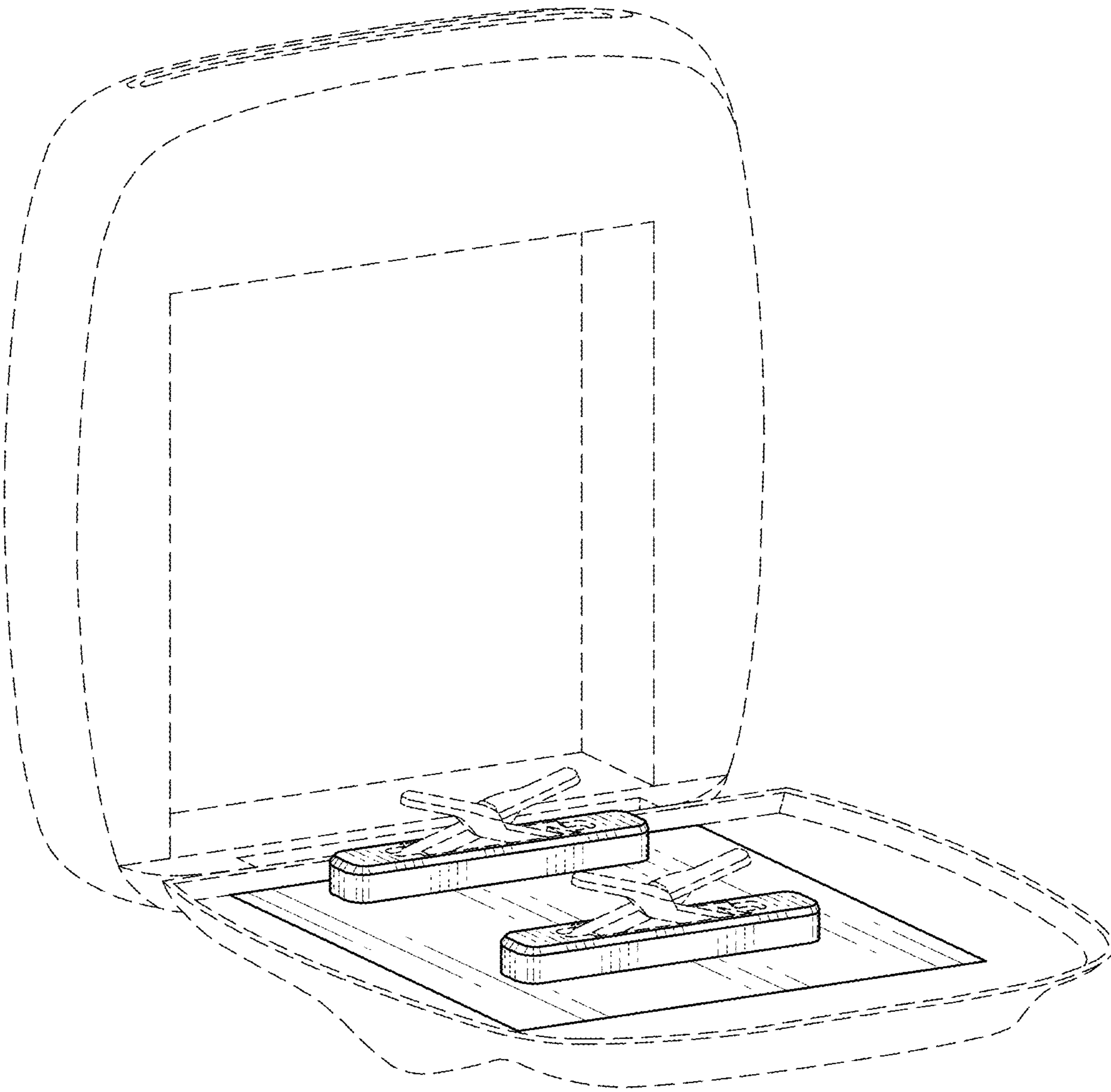


FIG.2

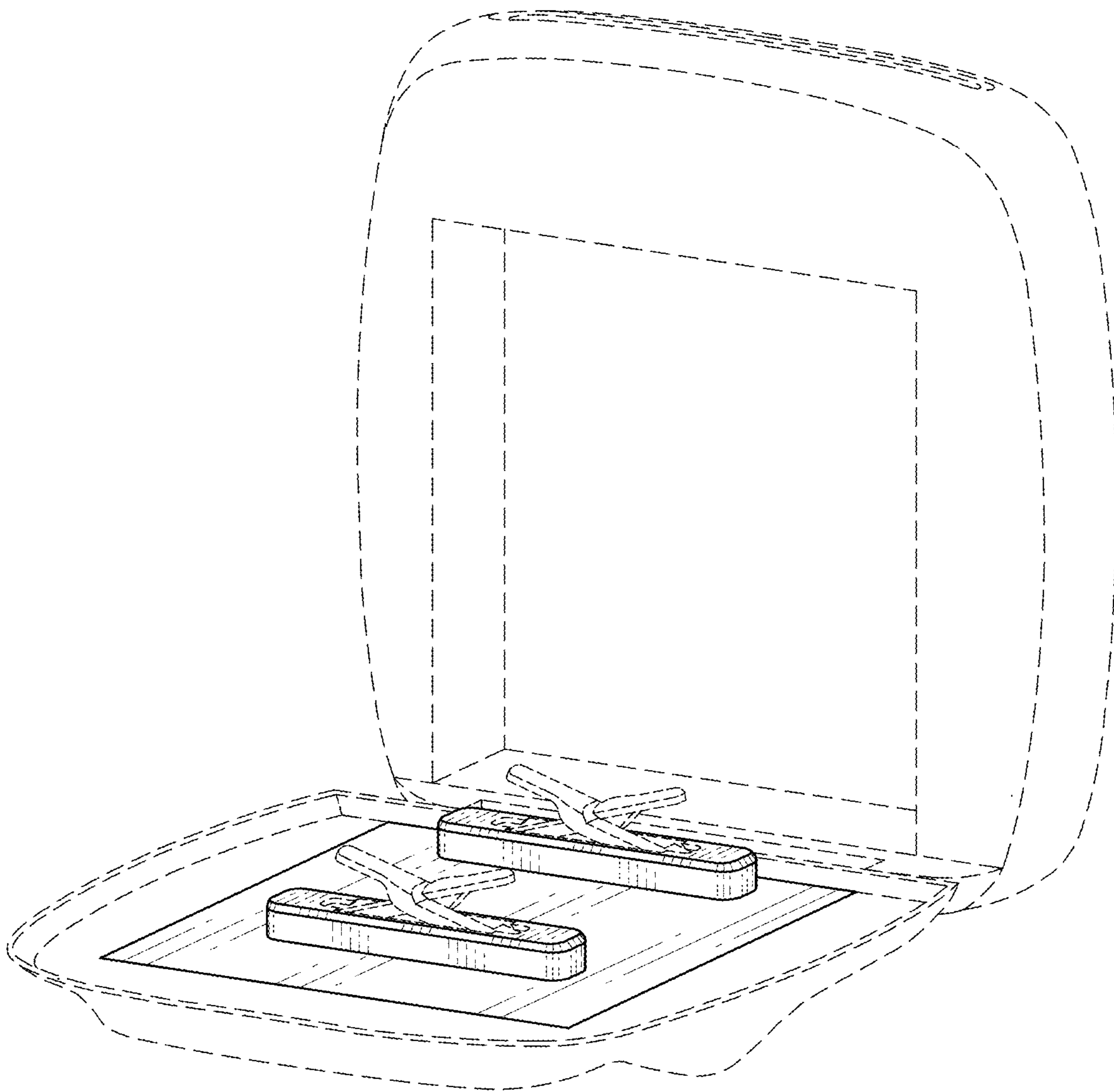


FIG.3

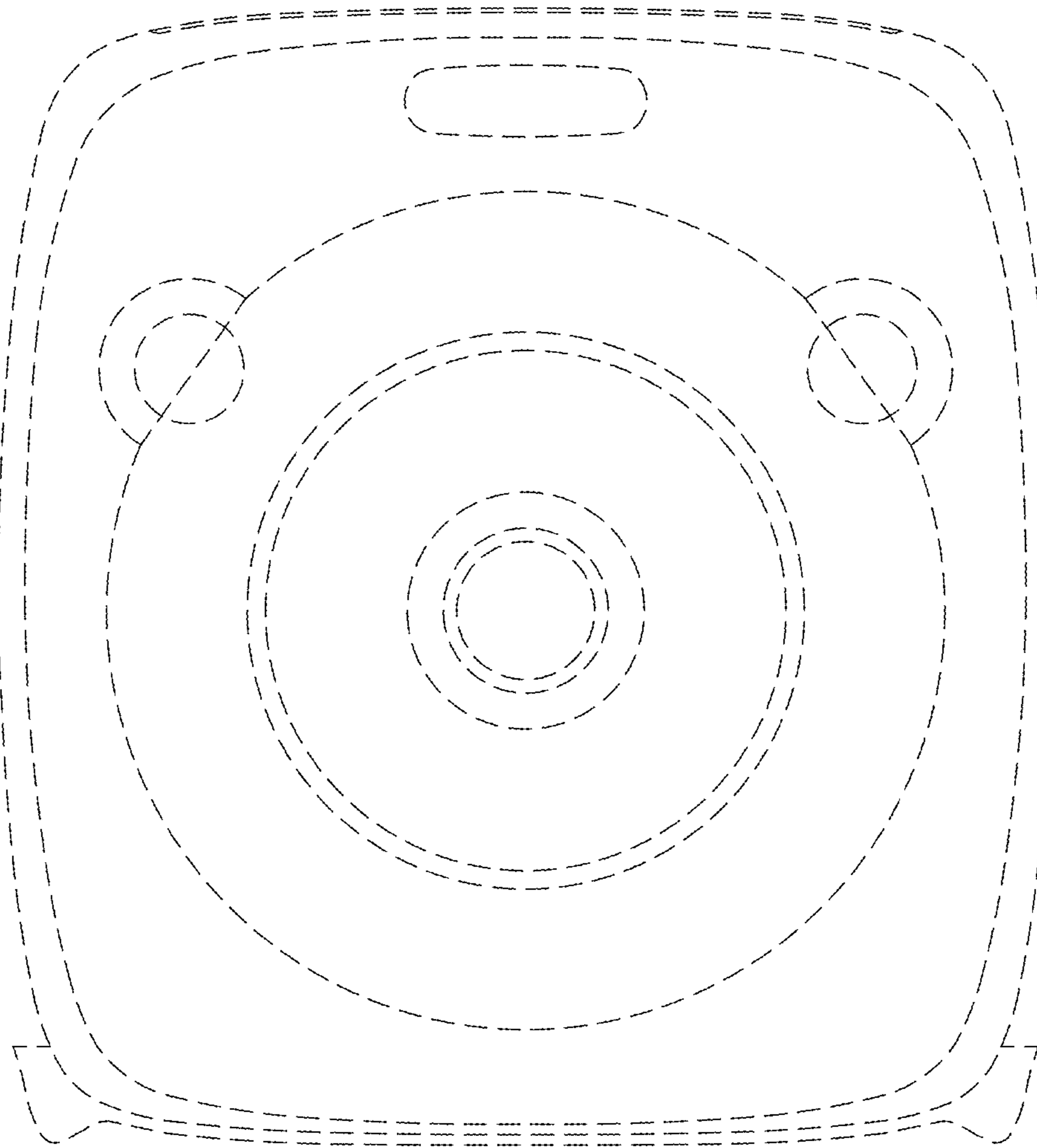


FIG.4

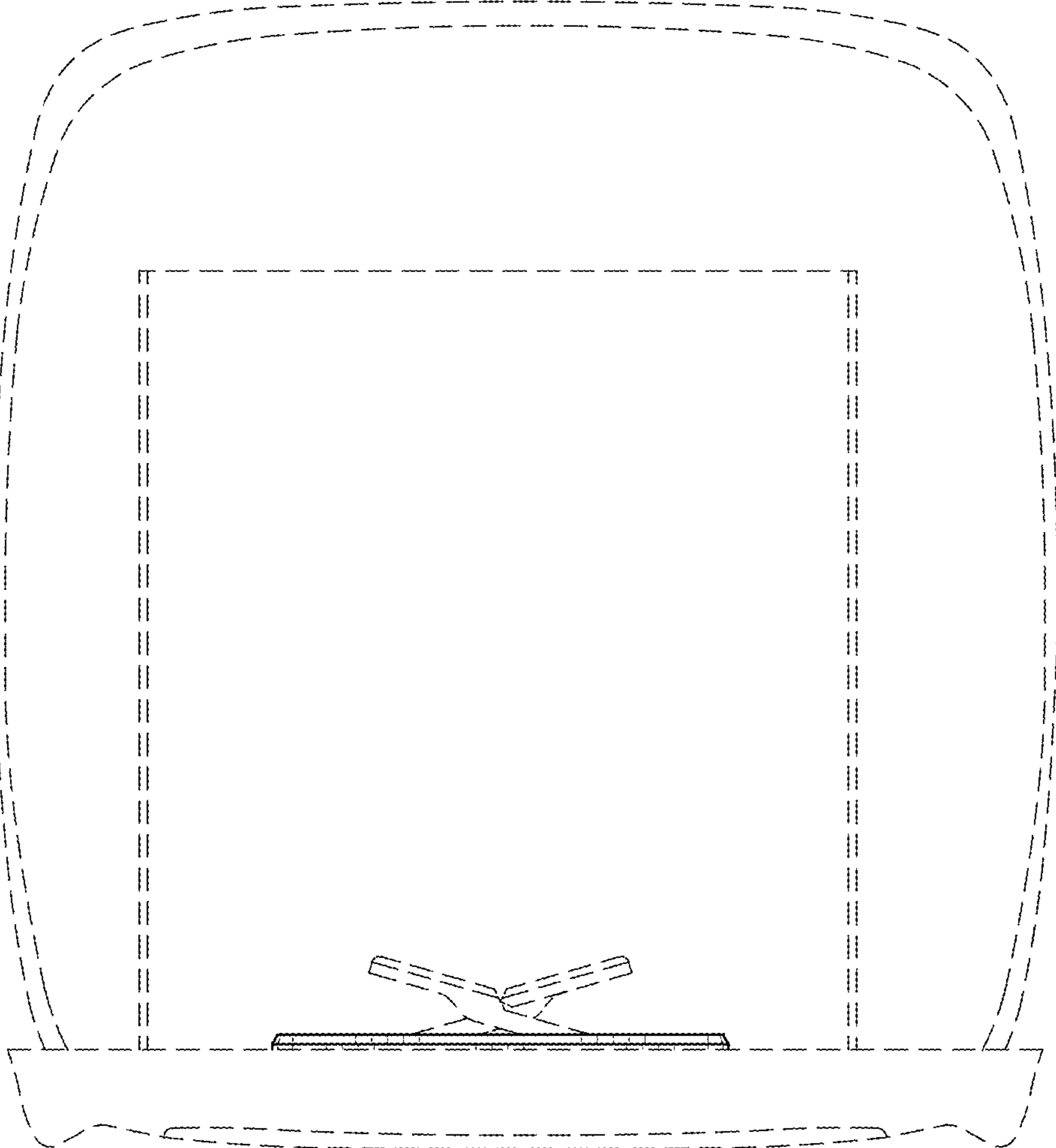


FIG. 5

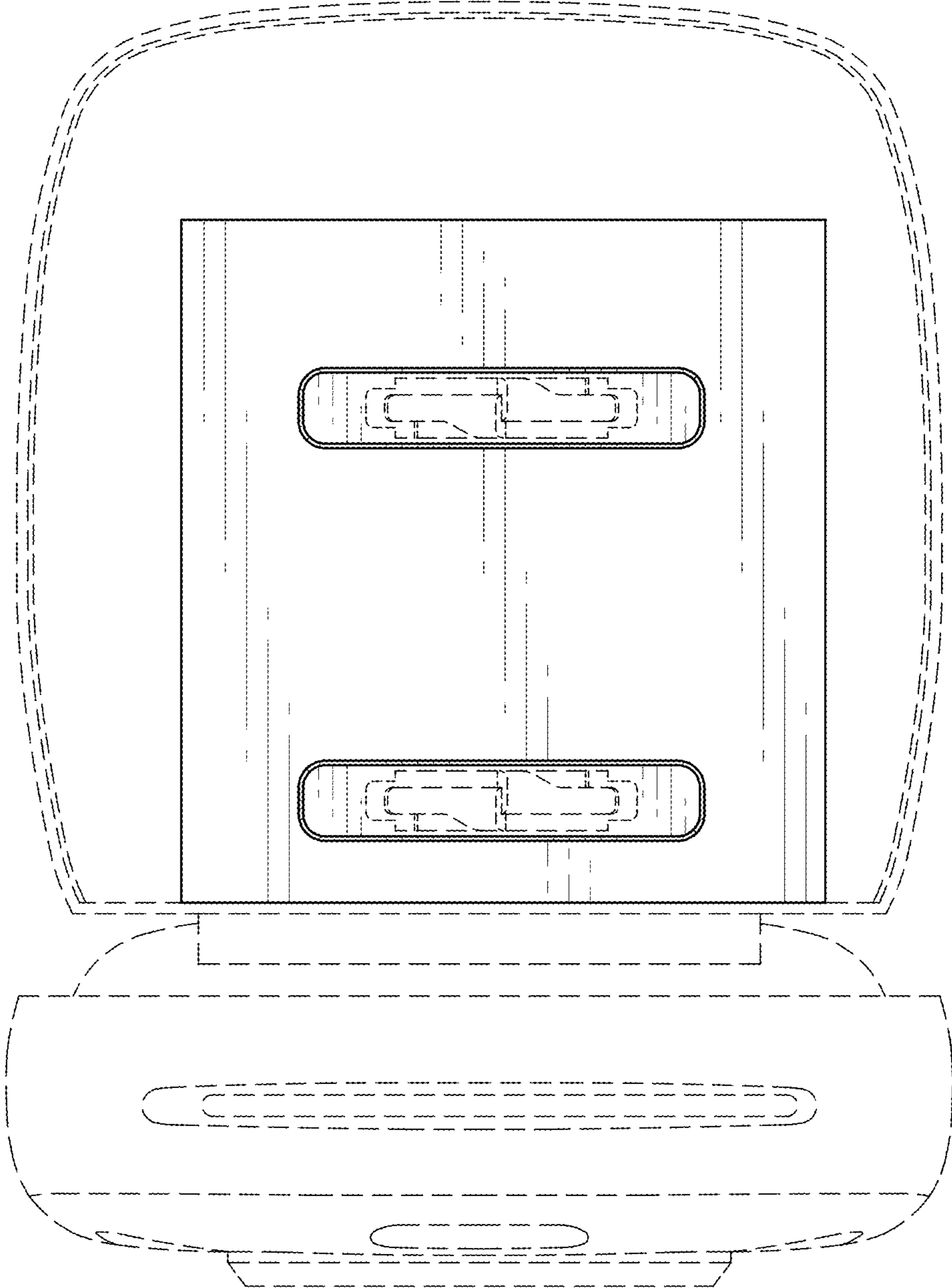


FIG.6

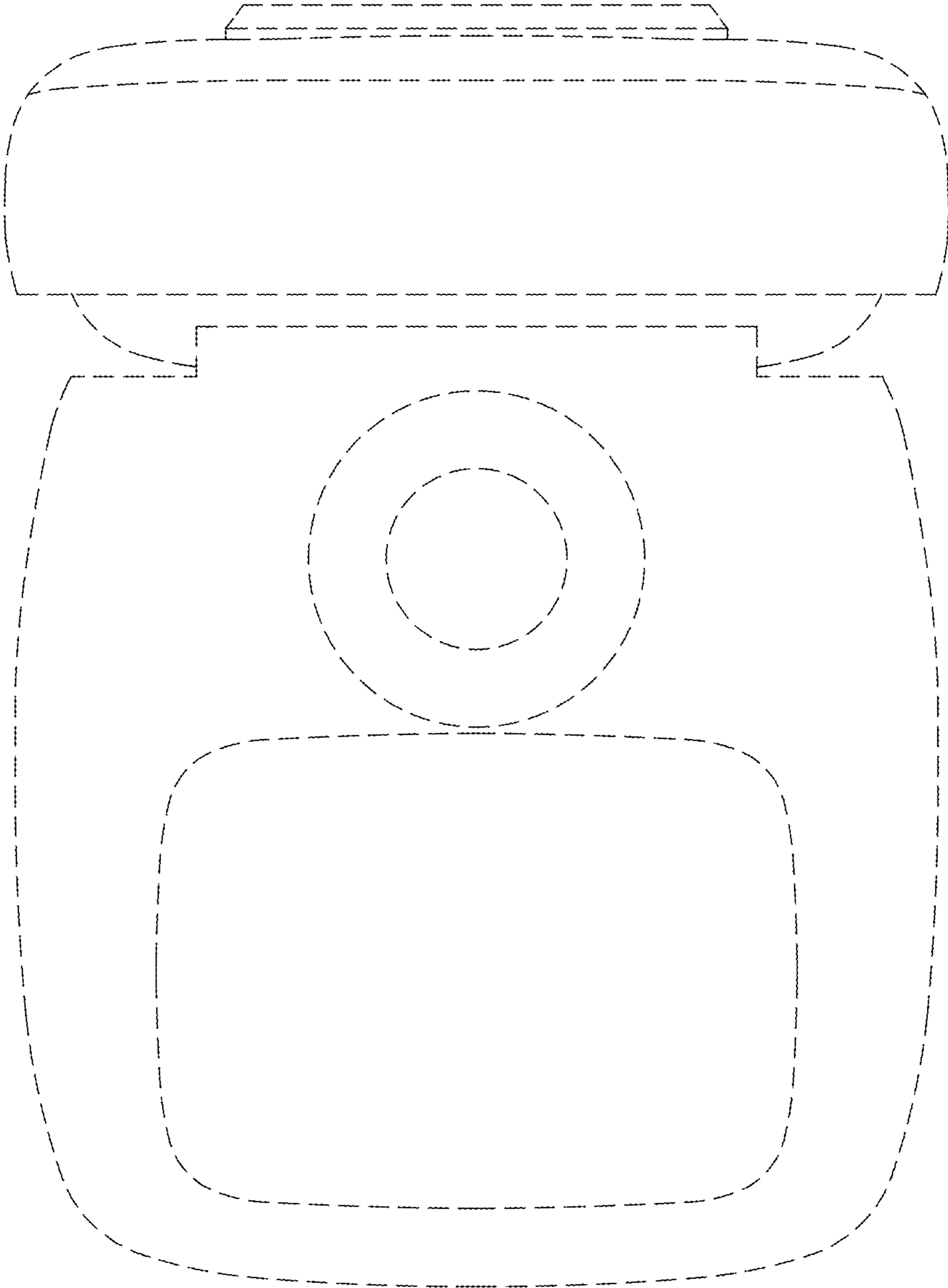


FIG. 7

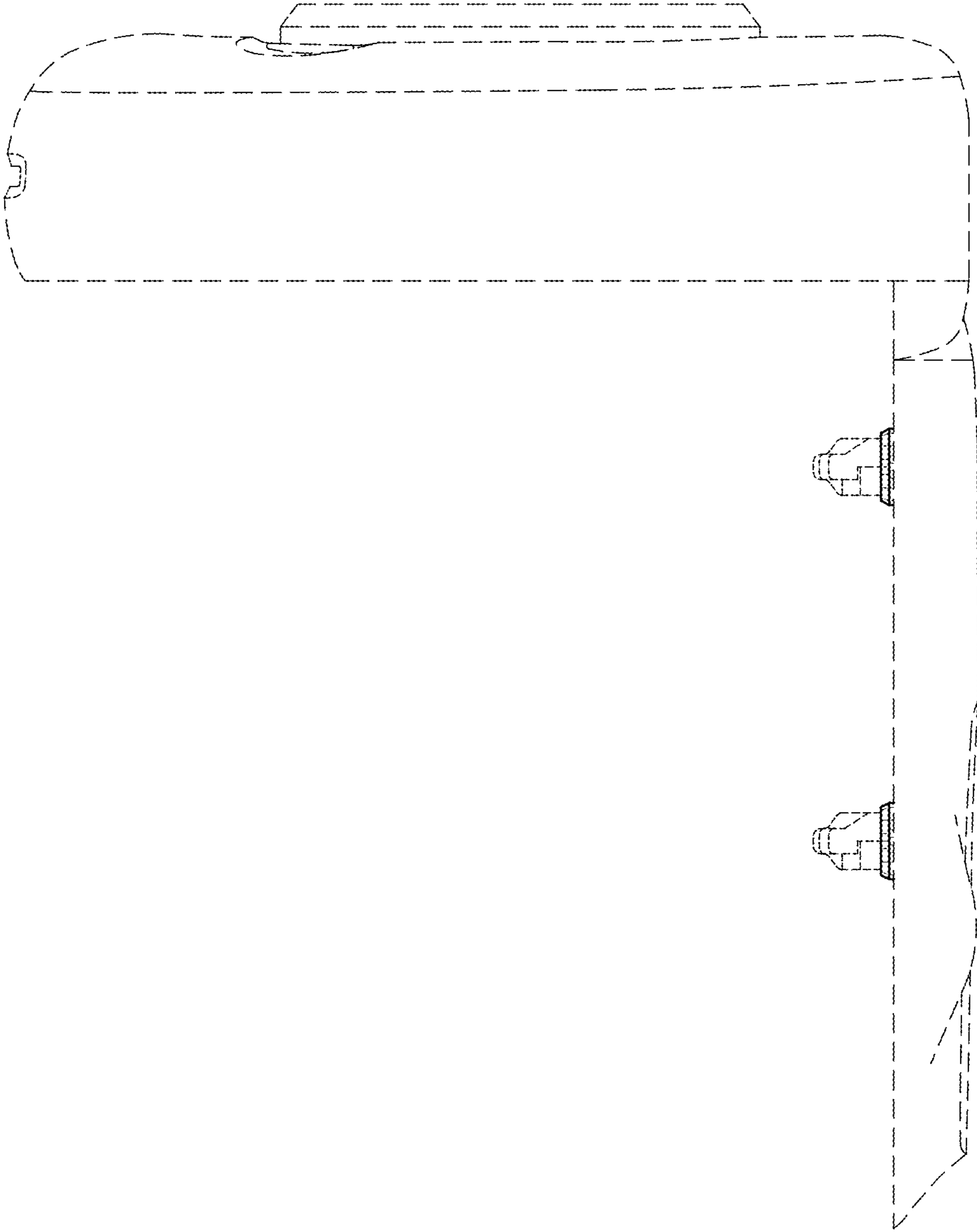


FIG. 8

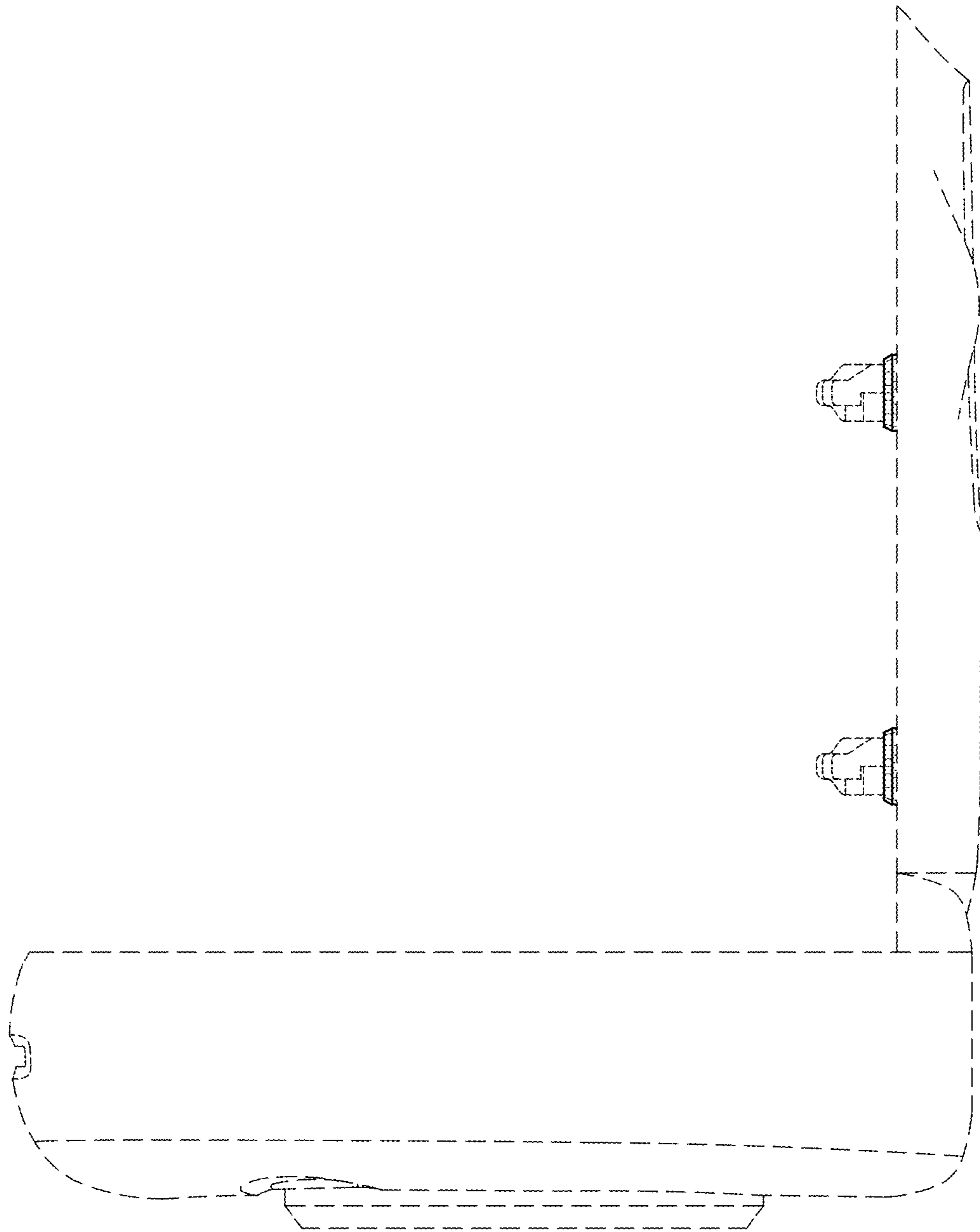


FIG. 9

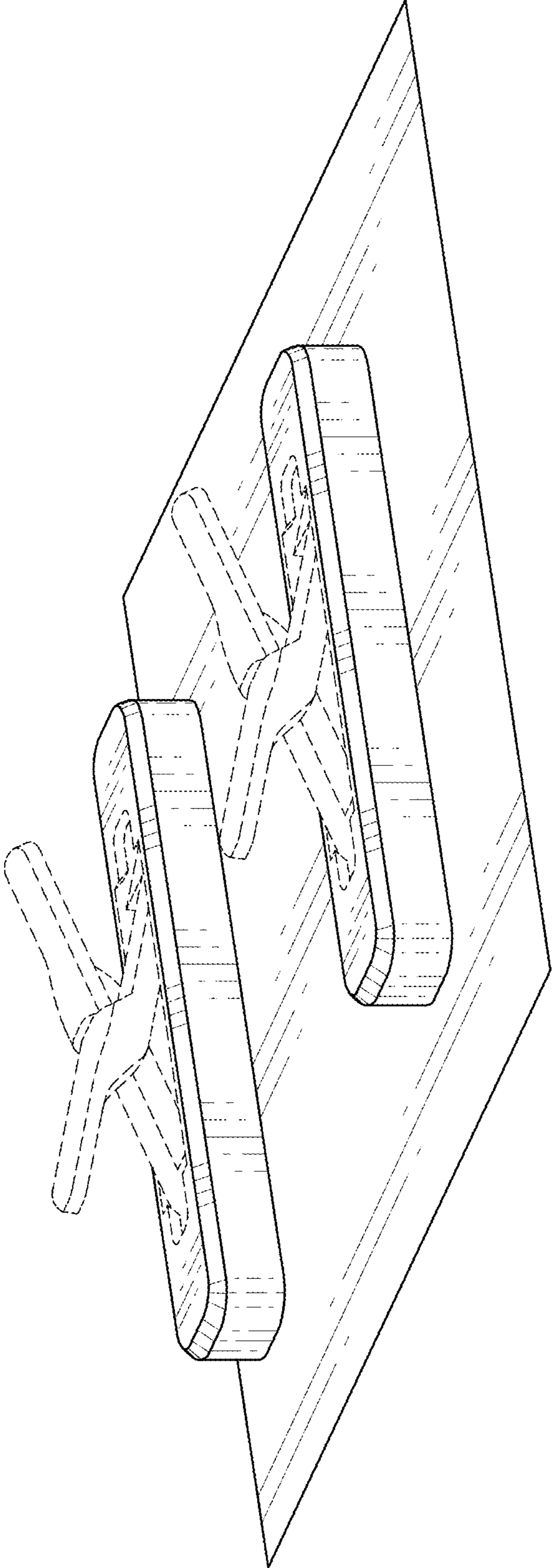


FIG.10

