



US00D875812S

(12) **United States Design Patent**  
**Zhang**

(10) **Patent No.:** **US D875,812 S**

(45) **Date of Patent:** **\*\* Feb. 18, 2020**

(54) **DASH CAMERA**

(71) Applicant: **Tao Zhang**, Hubei (CN)

(72) Inventor: **Tao Zhang**, Hubei (CN)

(73) Assignee: **SHENZHEN YIDIAN ZHUOYUE TECHNOLOGY CO.**, Shenzhen (CN)

(\*\*) Term: **15 Years**

(21) Appl. No.: **29/649,175**

(22) Filed: **May 28, 2018**

(51) **LOC (12) Cl.** ..... **16-01**

(52) **U.S. Cl.**  
USPC ..... **D16/218; D16/203**

(58) **Field of Classification Search**  
USPC ..... D16/200, 202–208, 218, 219, 242;  
348/143, 148, 151, 373–376; 396/419,  
396/427, 535, 539–541; 248/176.1, 187.1  
CPC ..... G03B 17/02; G03B 19/04; G03B 17/56;  
G03B 17/04; G03B 15/03; H04N 5/2251;  
H04N 5/2252; H04N 5/2253; H04N  
5/2254; H04N 7/181; H04N 7/183; H04N  
7/18

See application file for complete search history.

(56) **References Cited**

**U.S. PATENT DOCUMENTS**

D366,271 S \* 1/1996 Hasegawa ..... D16/203  
D388,804 S \* 1/1998 Swayze ..... D16/202

D524,347 S \* 7/2006 Takahashi ..... D16/202  
D540,360 S \* 4/2007 Yamakawa ..... D16/203  
D613,784 S \* 4/2010 Wang ..... D16/203  
D618,717 S \* 6/2010 Frank ..... D16/203  
D633,543 S \* 3/2011 Park ..... D16/203  
D732,100 S \* 6/2015 Jeong ..... D16/203  
D732,597 S \* 6/2015 Celler ..... D16/203  
D739,888 S \* 9/2015 Liang ..... D16/203  
D768,749 S \* 10/2016 Koppetz ..... D16/202  
D792,919 S \* 7/2017 Ryu ..... D16/218  
D809,046 S \* 1/2018 Hatcher ..... D16/202

\* cited by examiner

*Primary Examiner* — Ramzi S Almatrahi

(74) *Attorney, Agent, or Firm* — Justin Lampel

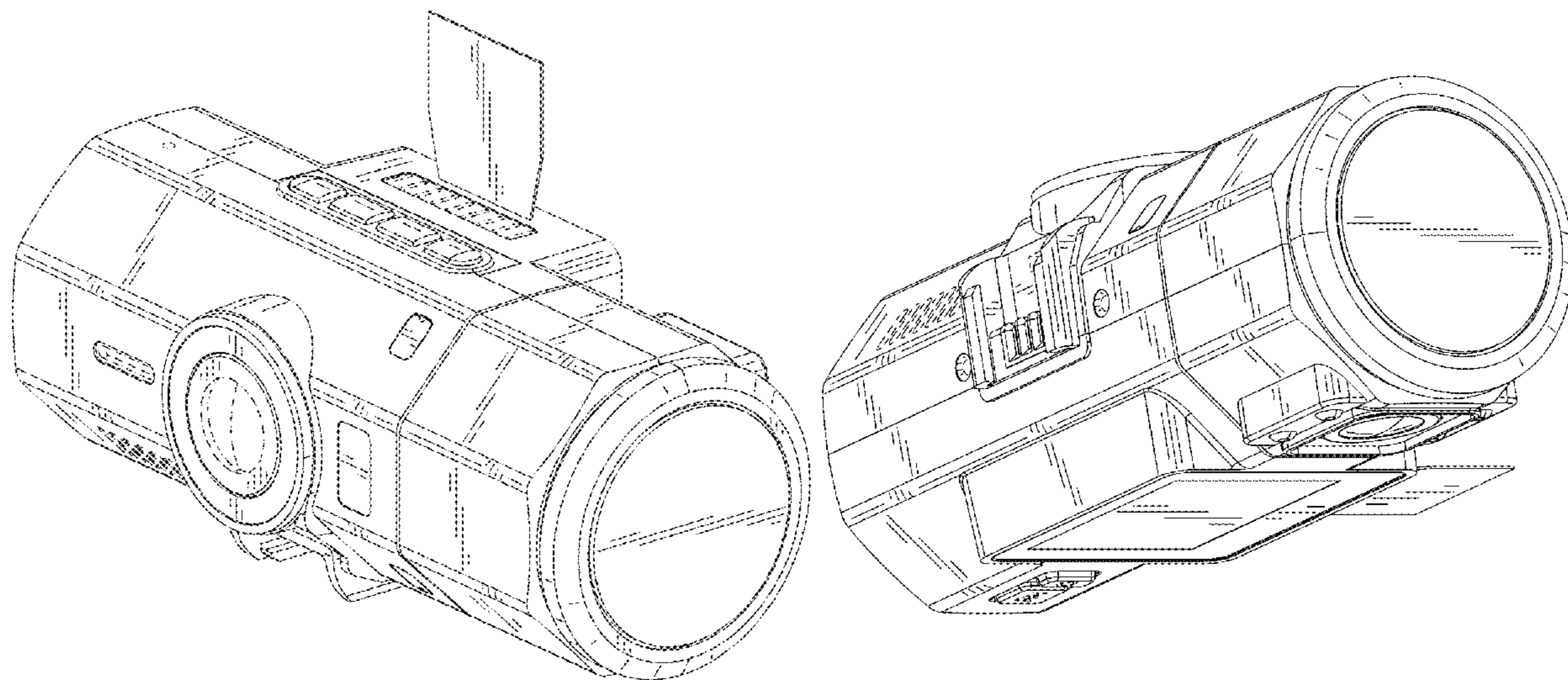
(57) **CLAIM**

The ornamental design for a dash camera, as shown and described.

**DESCRIPTION**

FIG. 1 is a top and front perspective view of a dash camera showing my new design;  
FIG. 2 is a bottom and rear perspective view thereof;  
FIG. 3 is a front elevation view thereof;  
FIG. 4 is a rear elevation view thereof;  
FIG. 5 is a right side elevation view thereof;  
FIG. 6 is a left side elevation view thereof;  
FIG. 7 is a bottom plan view thereof; and,  
FIG. 8 is a top plan view thereof.

**1 Claim, 8 Drawing Sheets**



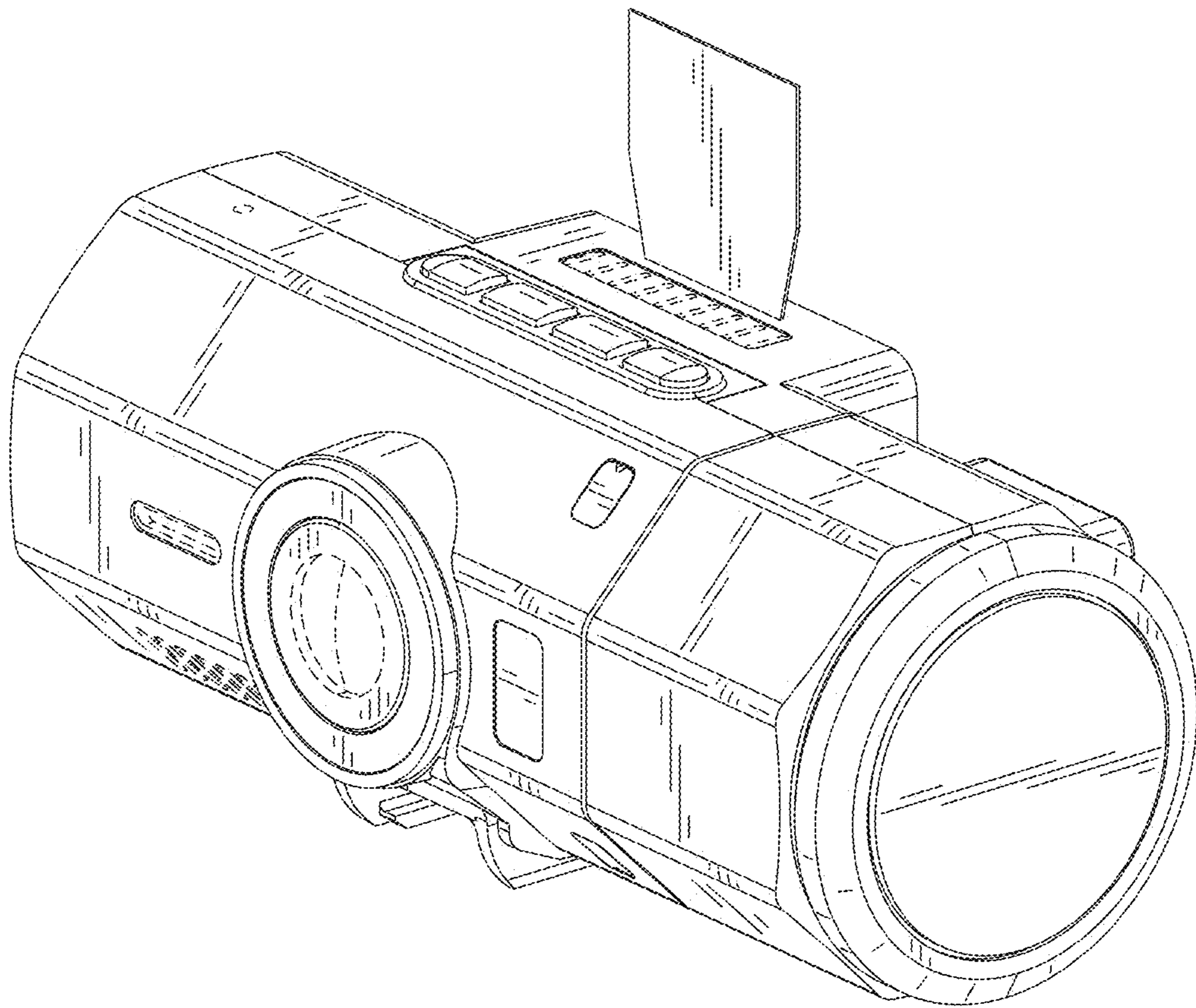


FIG. 1

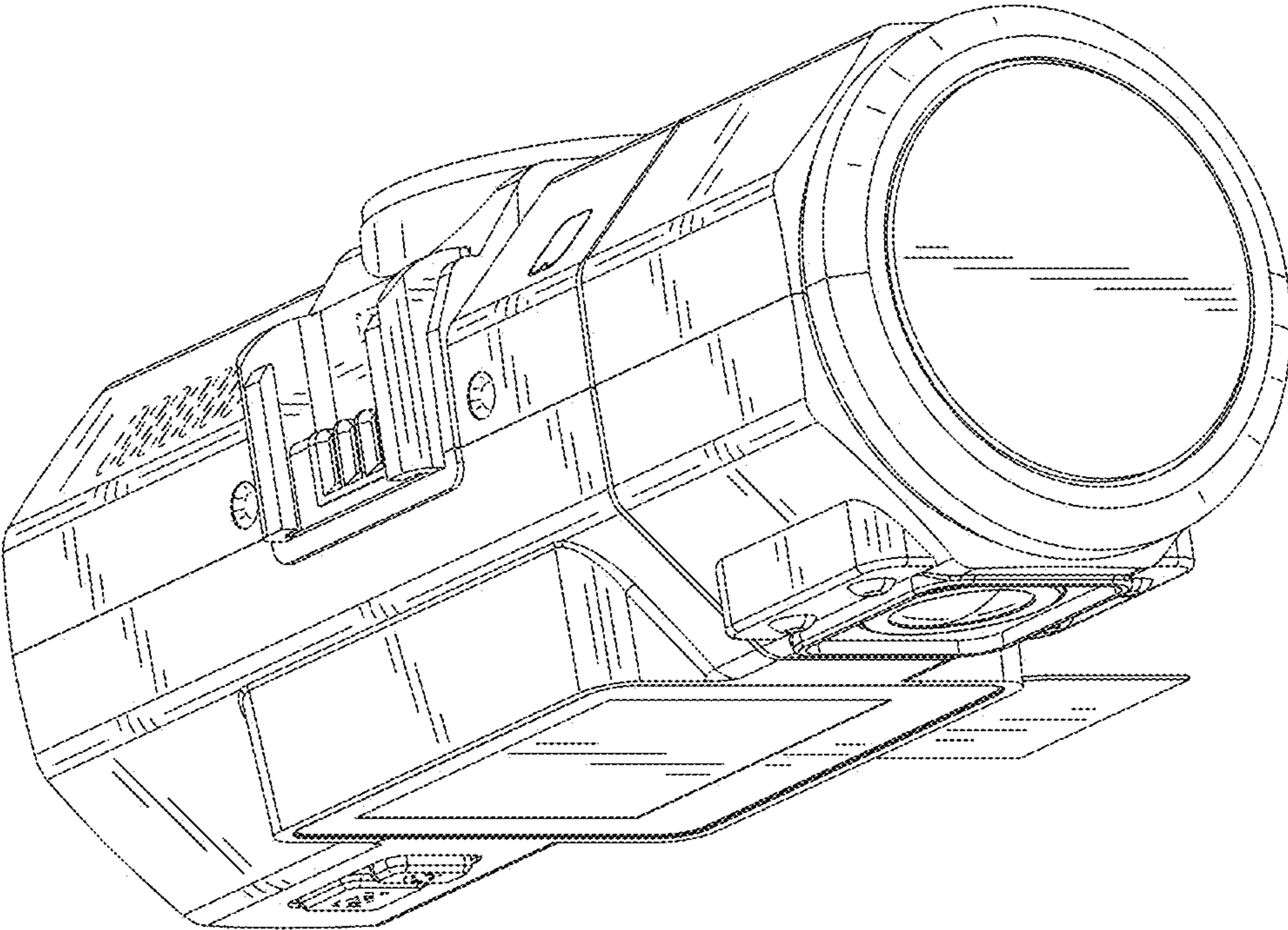


FIG. 2

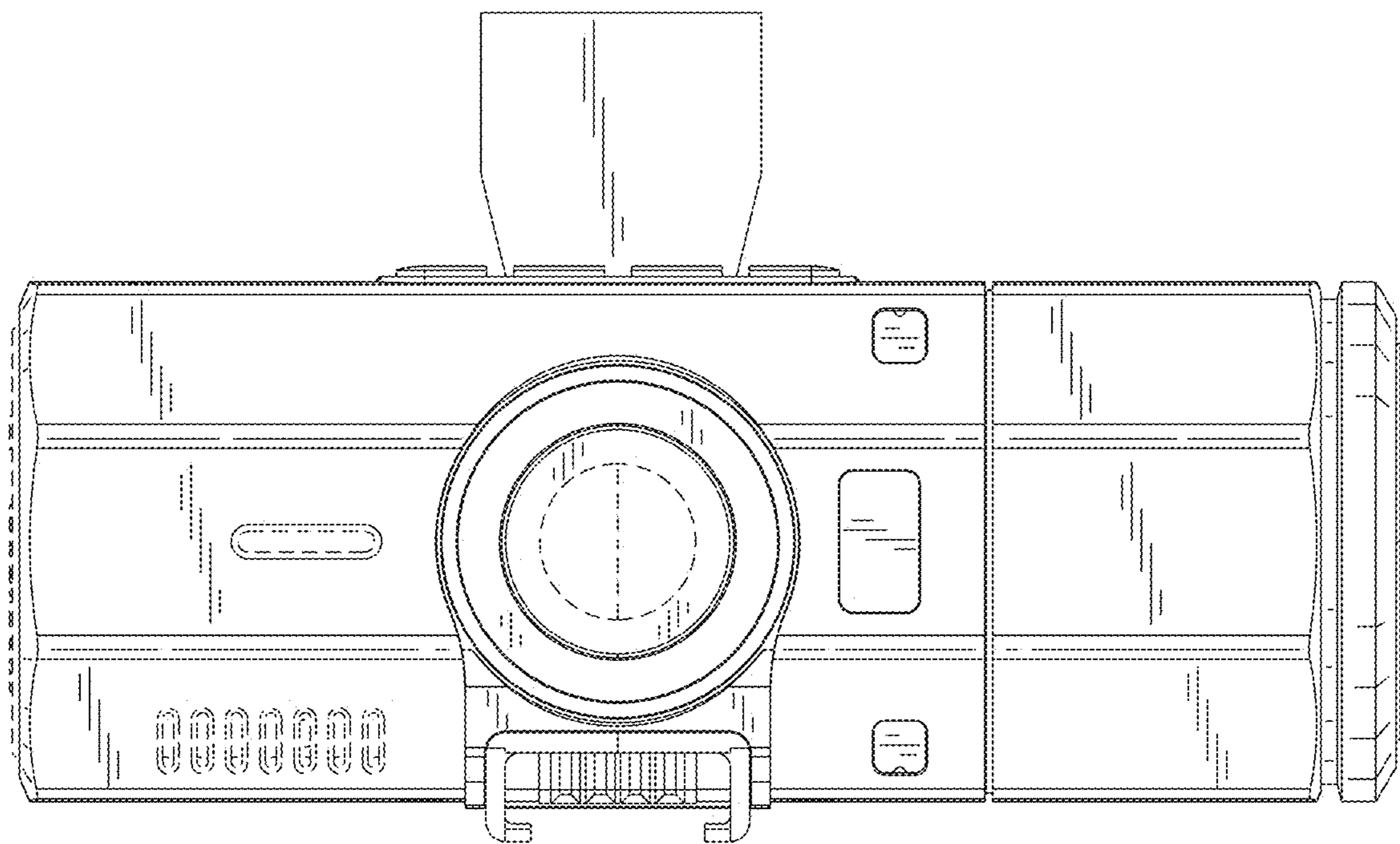


FIG. 3

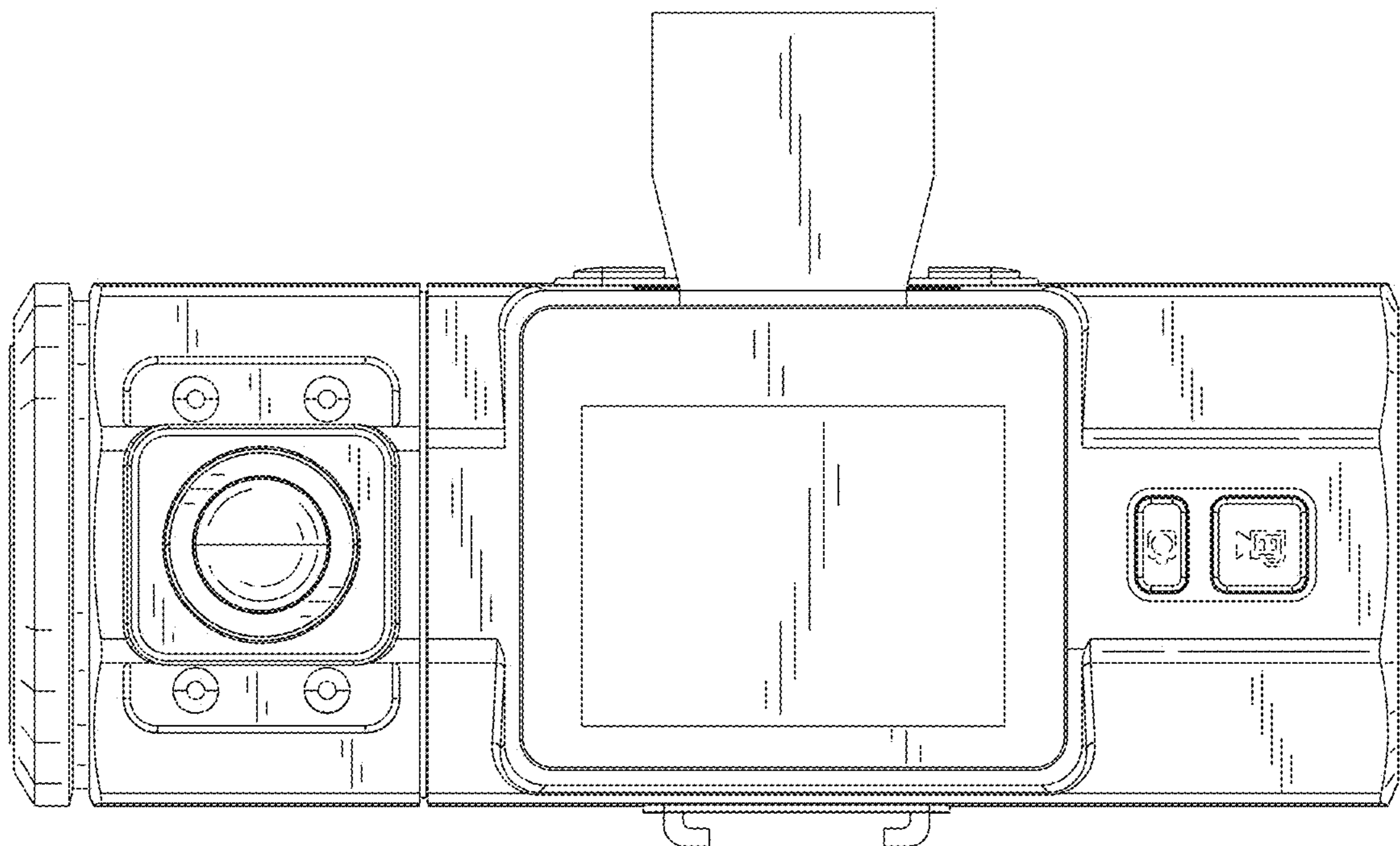


FIG. 4

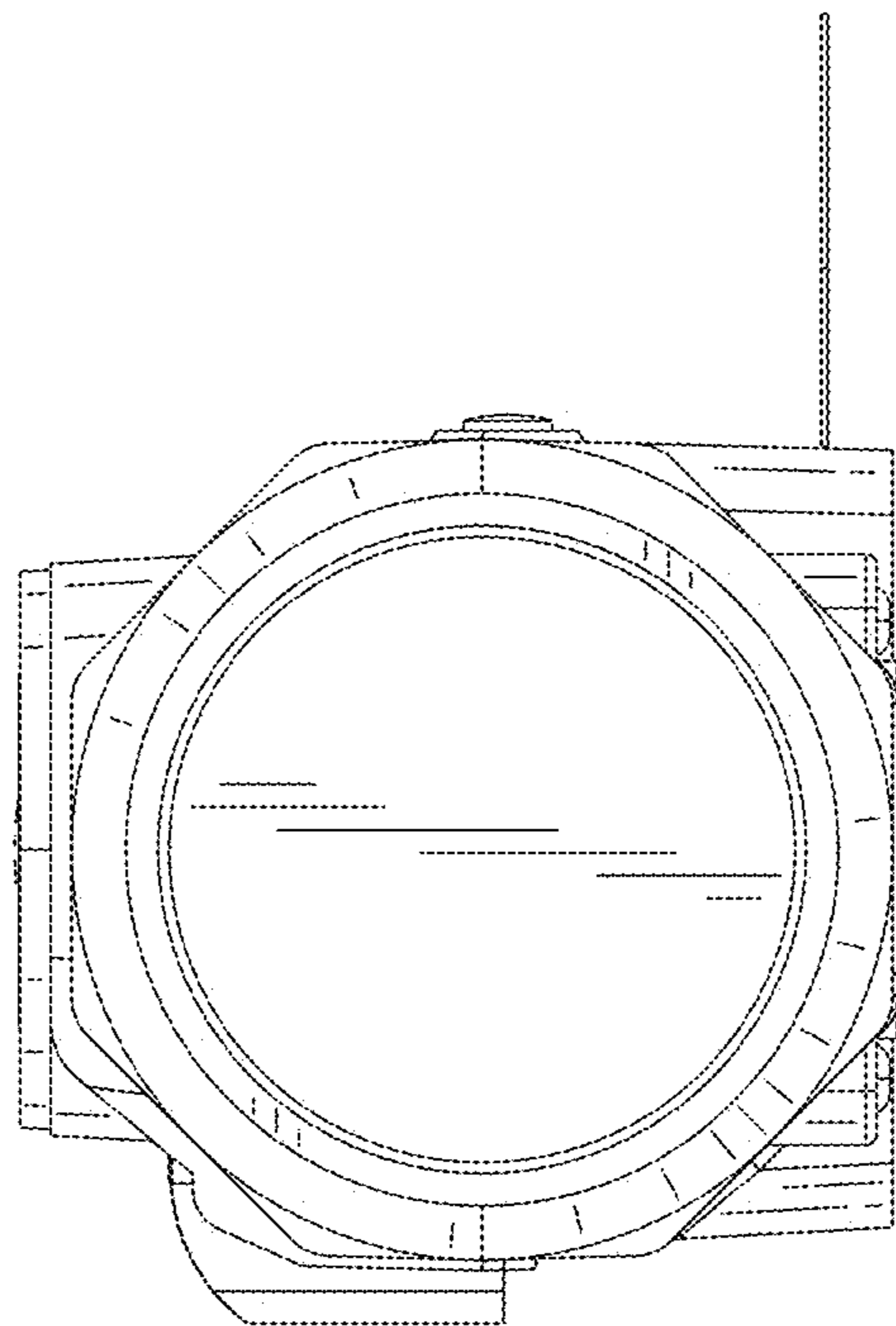


FIG. 5

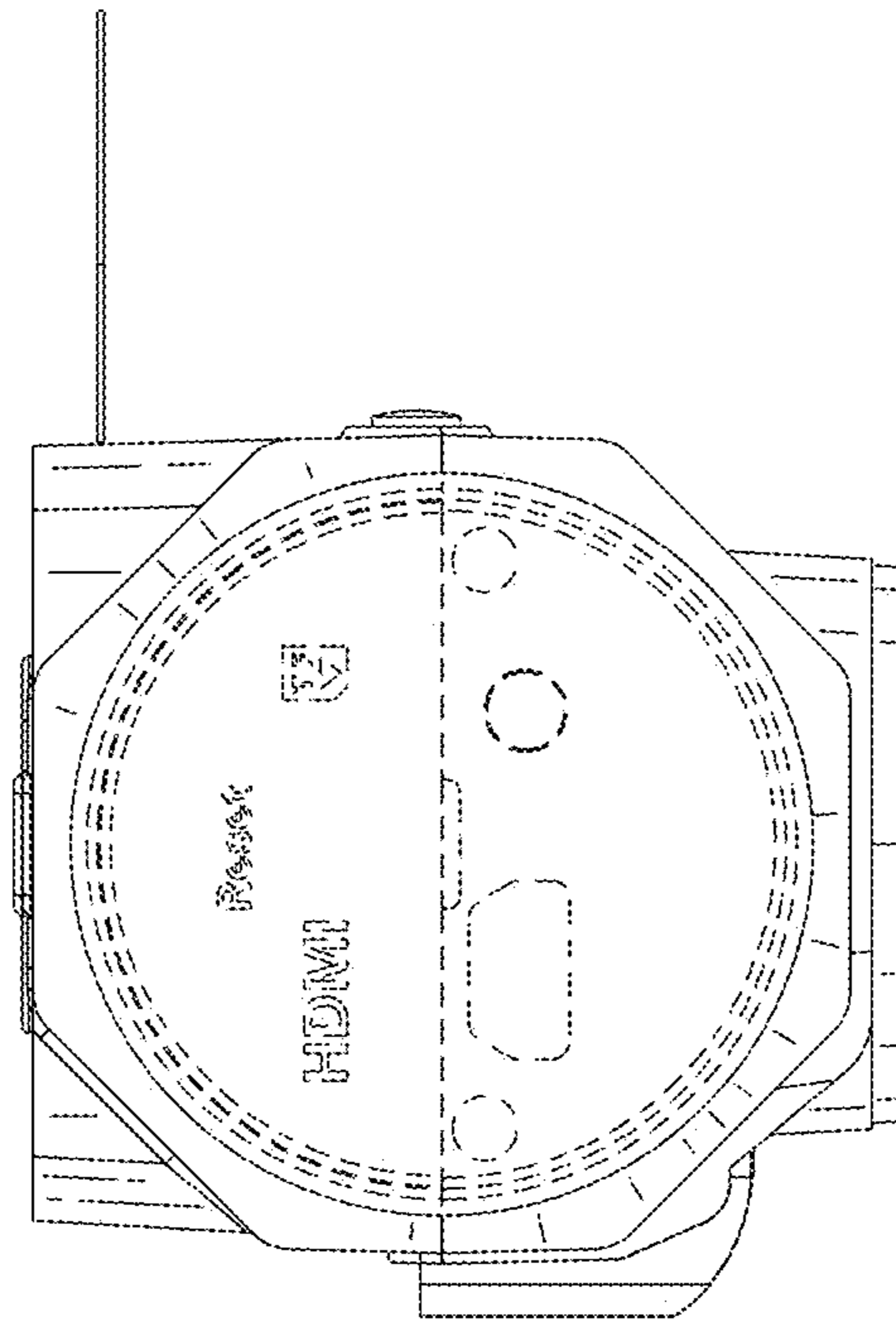


FIG. 6

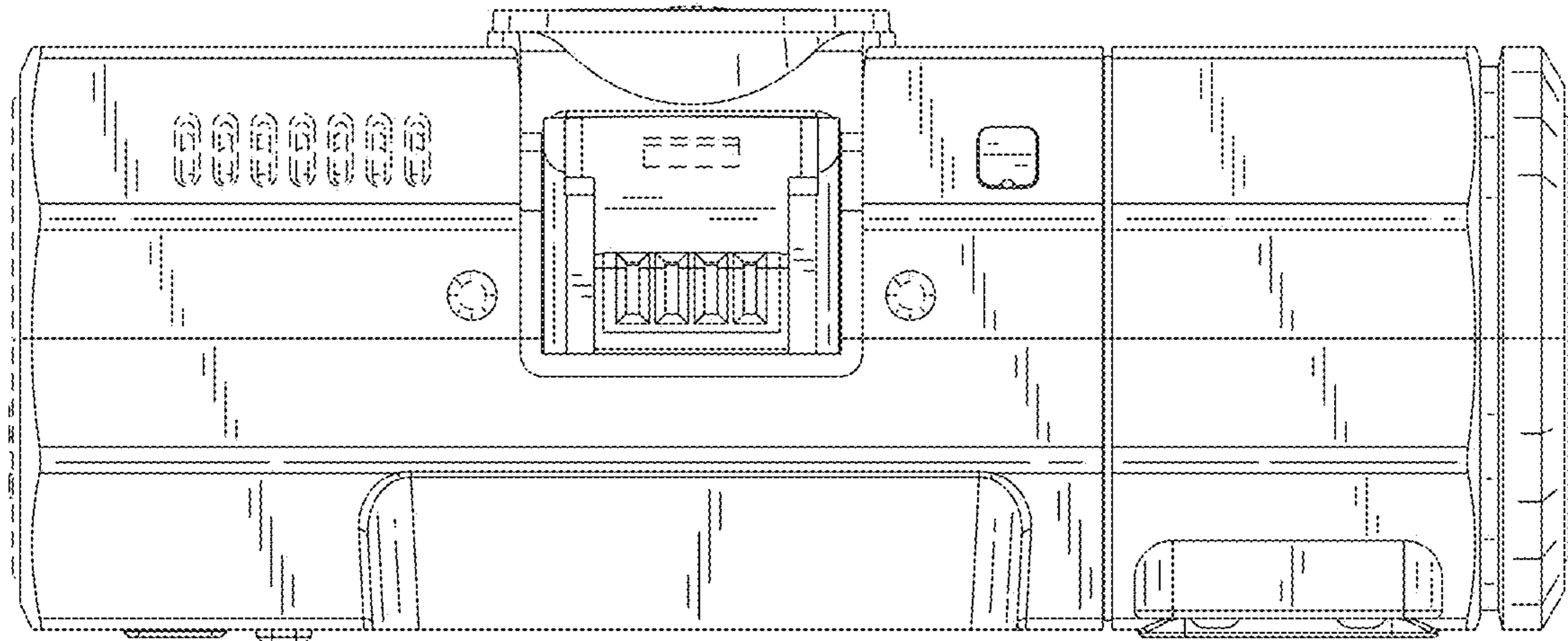


FIG. 7



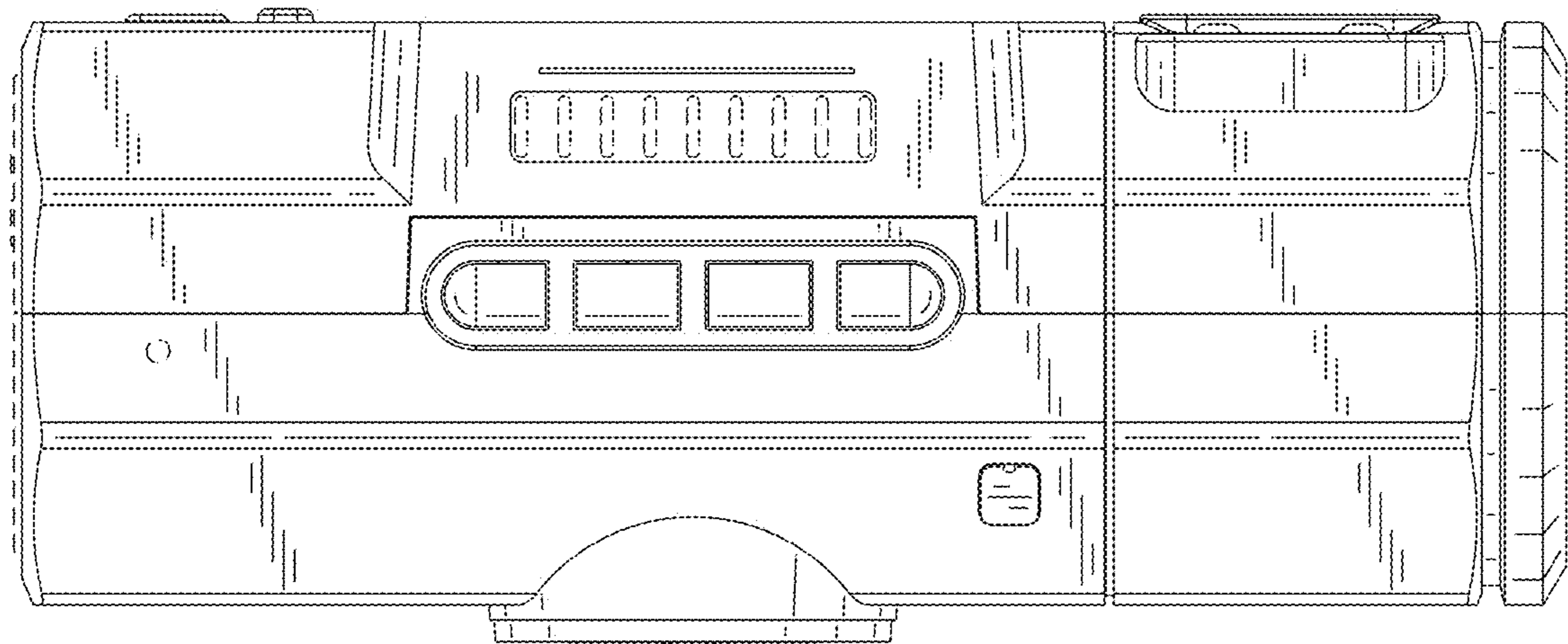


FIG. 8