



US00D875811S

(12) **United States Design Patent**
Xiong

(10) **Patent No.:** **US D875,811 S**

(45) **Date of Patent:** **** Feb. 18, 2020**

(54) **SOLAR POWERED WIRELESS BACKUP CAMERA**

(71) Applicant: **Lijun Xiong**, Hubei (CN)

(72) Inventor: **Lijun Xiong**, Hubei (CN)

(**) Term: **15 Years**

(21) Appl. No.: **29/676,024**

(22) Filed: **Jan. 8, 2019**

(51) **LOC (12) Cl.** **16-01**

(52) **U.S. Cl.**
USPC **D16/208; D16/218**

(58) **Field of Classification Search**
USPC D10/104.1, 106.7; D16/200, 202–203,
D16/207, 208, 218, 219, 242;
D12/187–189, 400; D14/203.1, 204,
D14/209.1, 496, 497; 348/14.01–14.6,
348/143, 148, 151, 373–376; 396/419,
396/427, 428, 535, 539–541
CPC G03B 17/02; G03B 19/04; G03B 17/56;
G03B 17/04; G03B 15/03; H04N 5/2251;
H04N 5/2252; H04N 5/2253; H04N
5/2254; H04N 2101/00; H04N 2007/145;
H04N 7/141; H04N 7/142; H04N 7/147;
H04N 7/148; H04N 7/15; H04N 7/152
See application file for complete search history.

(56) **References Cited**

U.S. PATENT DOCUMENTS

D535,676 S * 1/2007 Dayan D16/208
7,500,794 B1 * 3/2009 Clark G03B 17/00
348/143

D600,730 S * 9/2009 Su D16/202
D631,497 S * 1/2011 Han D16/202
D641,388 S * 7/2011 Shih D16/202
D674,430 S * 1/2013 Inoue D16/218
D680,569 S * 4/2013 Lee D16/202
D711,949 S * 8/2014 Koenck D16/130
D716,360 S * 10/2014 Schechter D16/208
D744,573 S * 12/2015 Matsumiya D16/218
D745,586 S * 12/2015 Chou D16/202
D775,679 S * 1/2017 Klein D16/202
D800,201 S * 10/2017 Song D16/202

* cited by examiner

Primary Examiner — Ramzi S Almatrahi

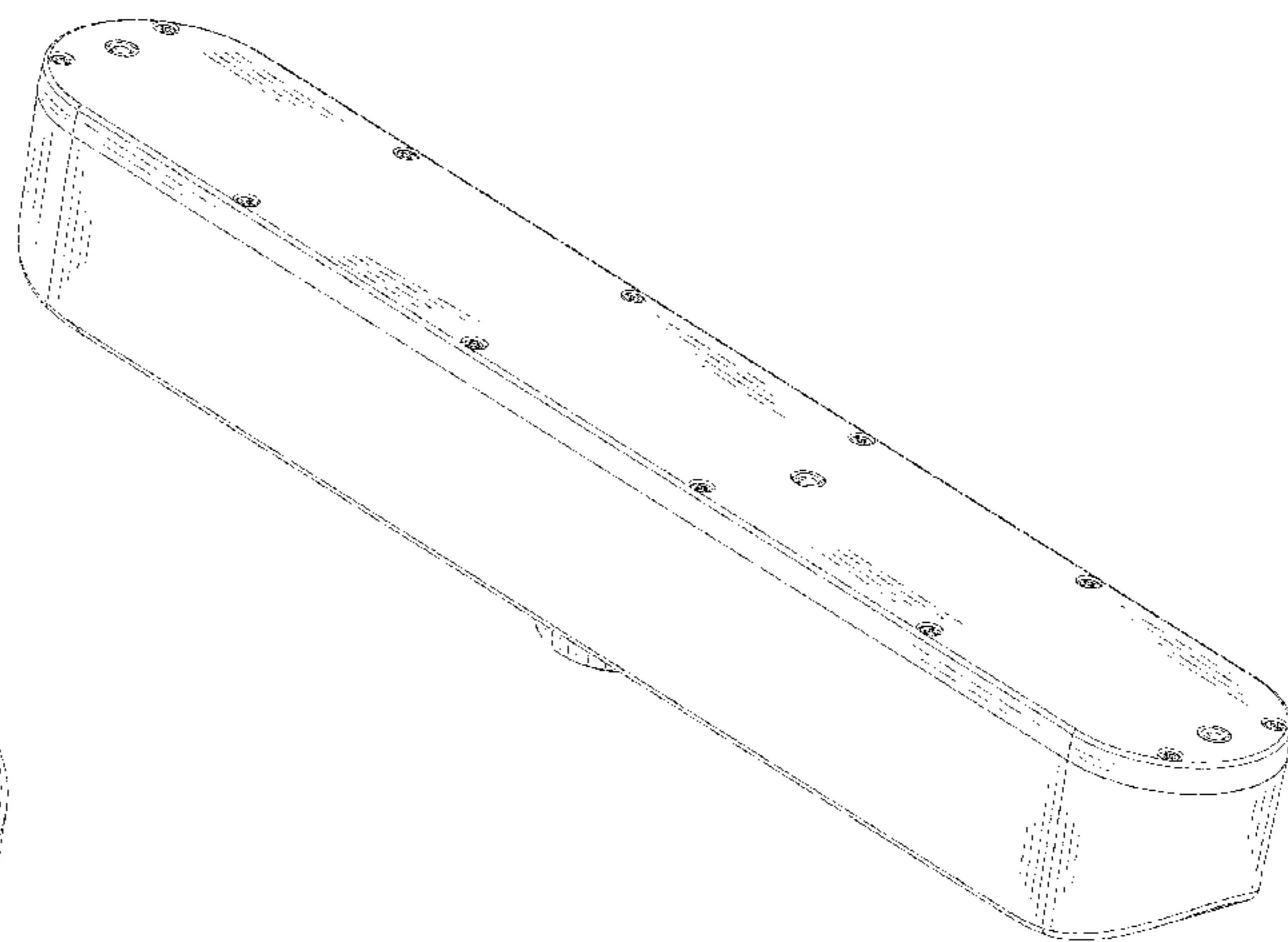
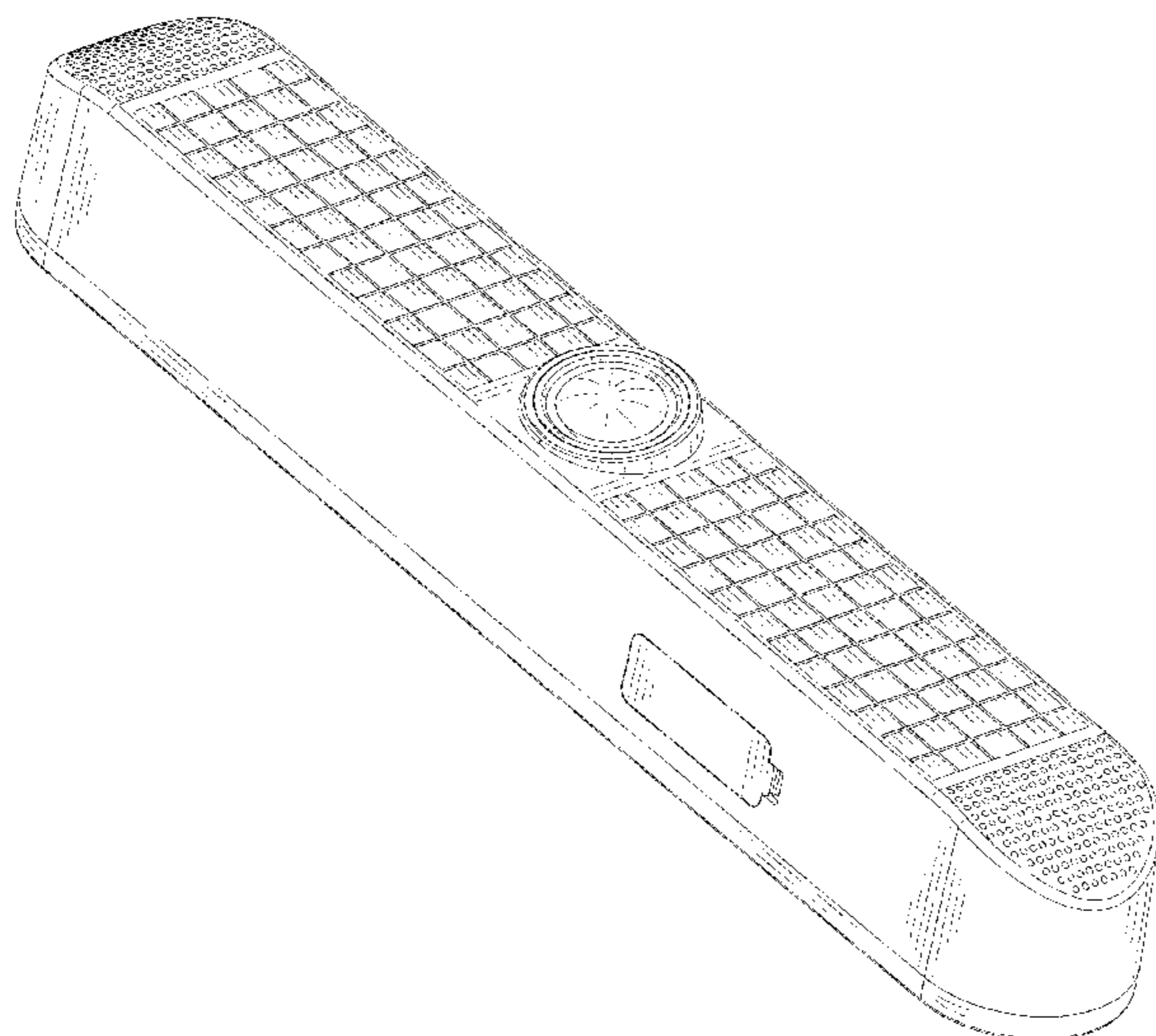
(57) **CLAIM**

The ornamental design for a solar powered wireless backup camera, as shown and described.

DESCRIPTION

FIG. 1 is a front elevational view of a solar powered wireless backup camera showing my new design;
FIG. 2 is a rear elevational view thereof;
FIG. 3 is a left side elevational view thereof;
FIG. 4 is a right side elevational view thereof;
FIG. 5 is a top plan view thereof;
FIG. 6 is a bottom plan view thereof;
FIG. 7 is a front perspective view thereof;
FIG. 8 is a rear perspective view thereof; and,
FIG. 9 is a front and right side perspective view thereof, shown in condition of use with a support disclosed in broken lines to illustrate an environment.
The broken lines showing a support in FIG. 9 represent environmental structure and form no part of the claimed design.

1 Claim, 9 Drawing Sheets



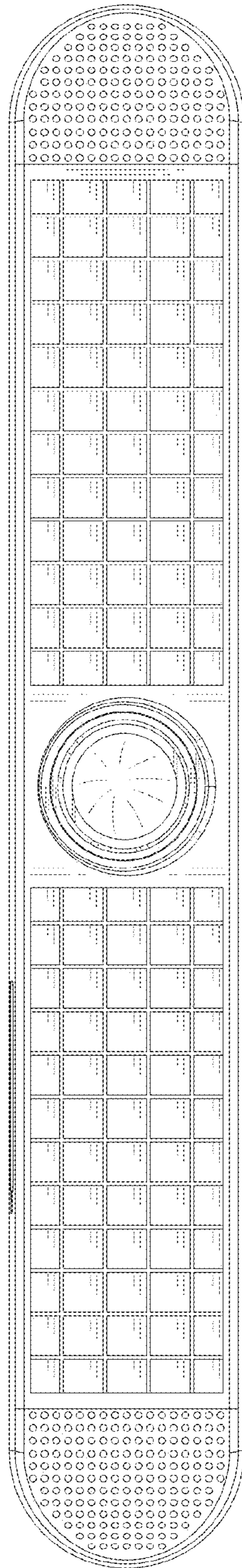


FIG. 1

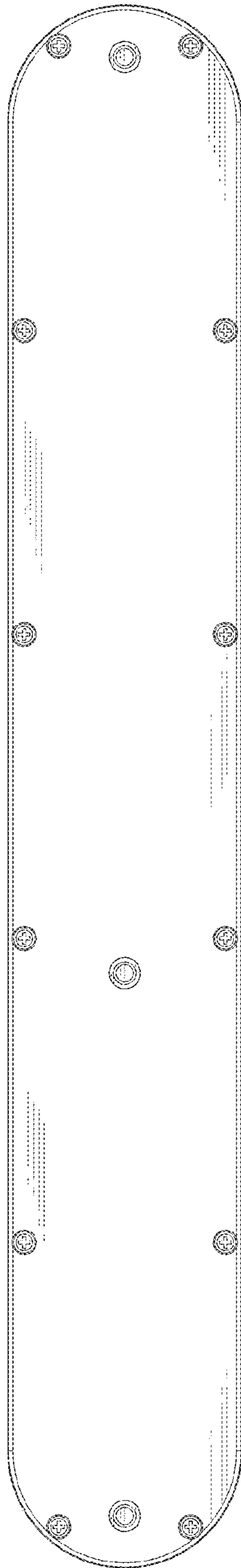


FIG. 2

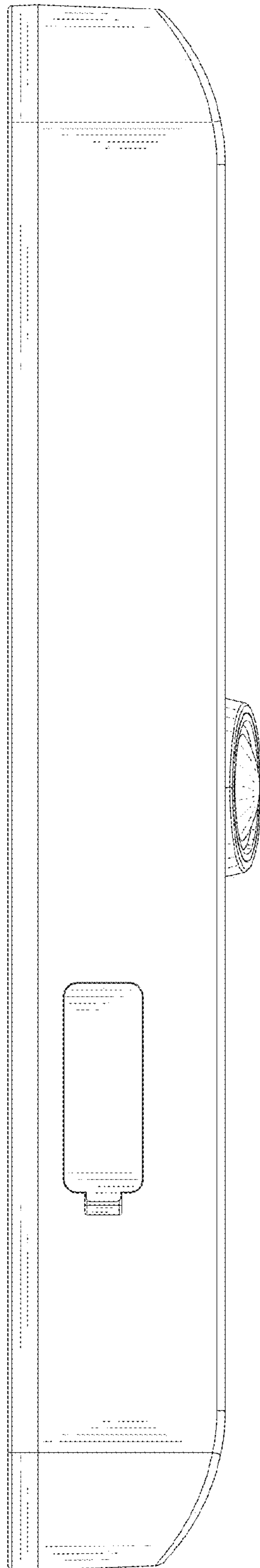


FIG. 3

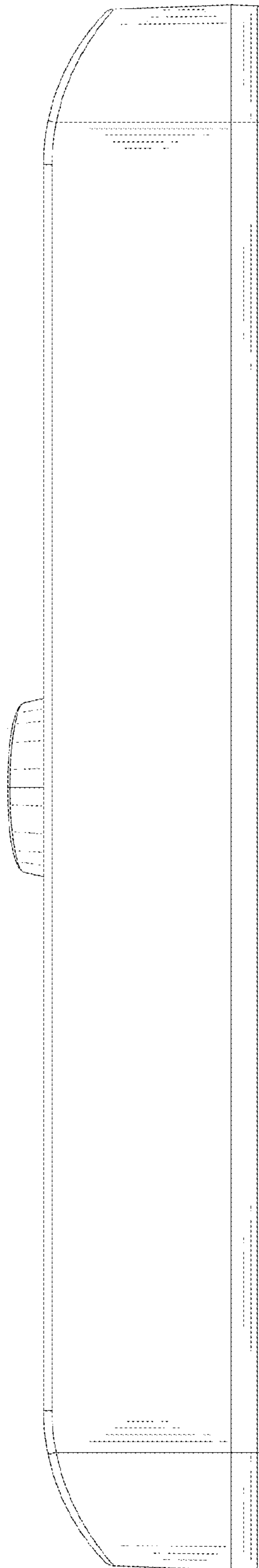


FIG. 4

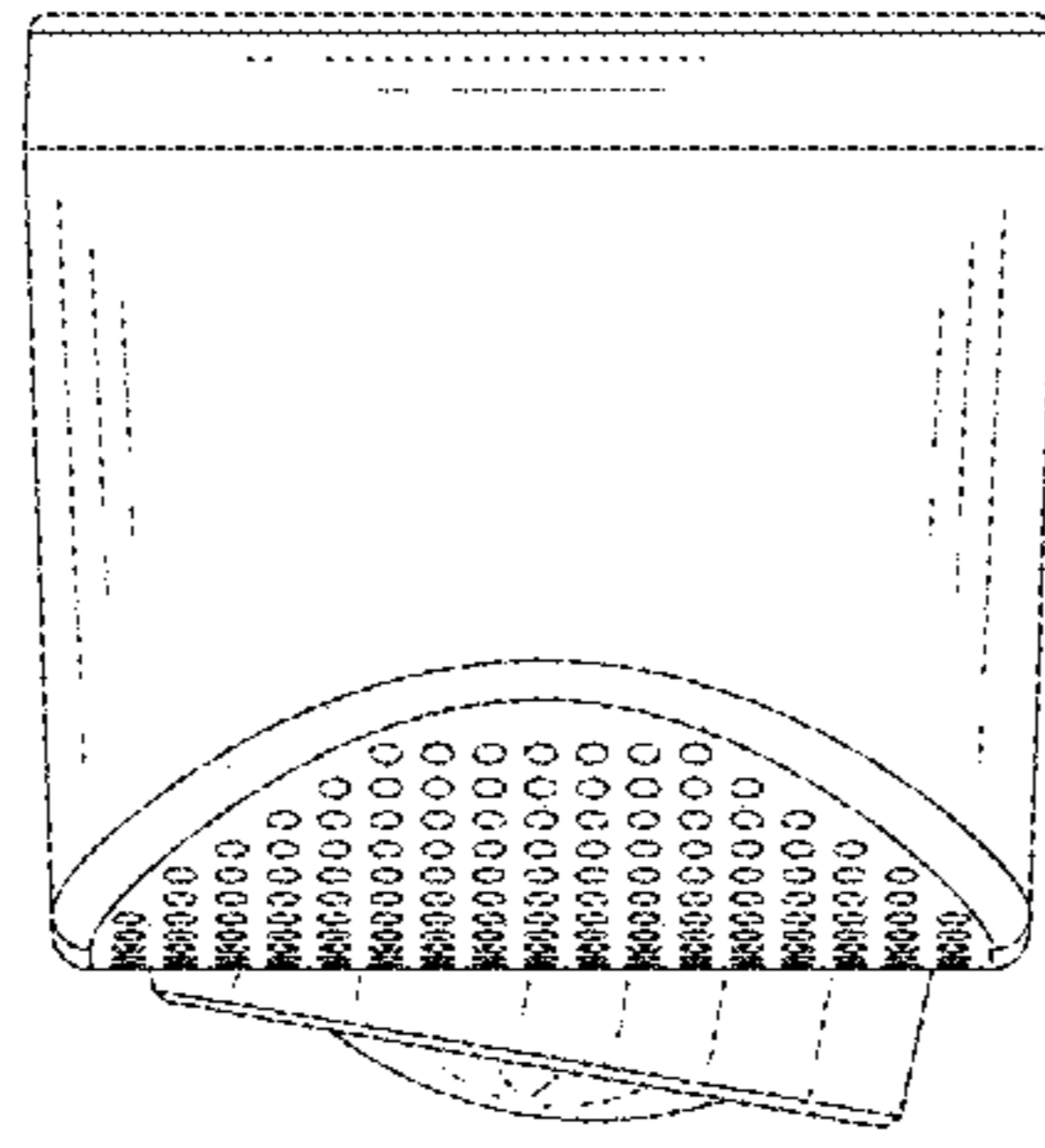


FIG. 5

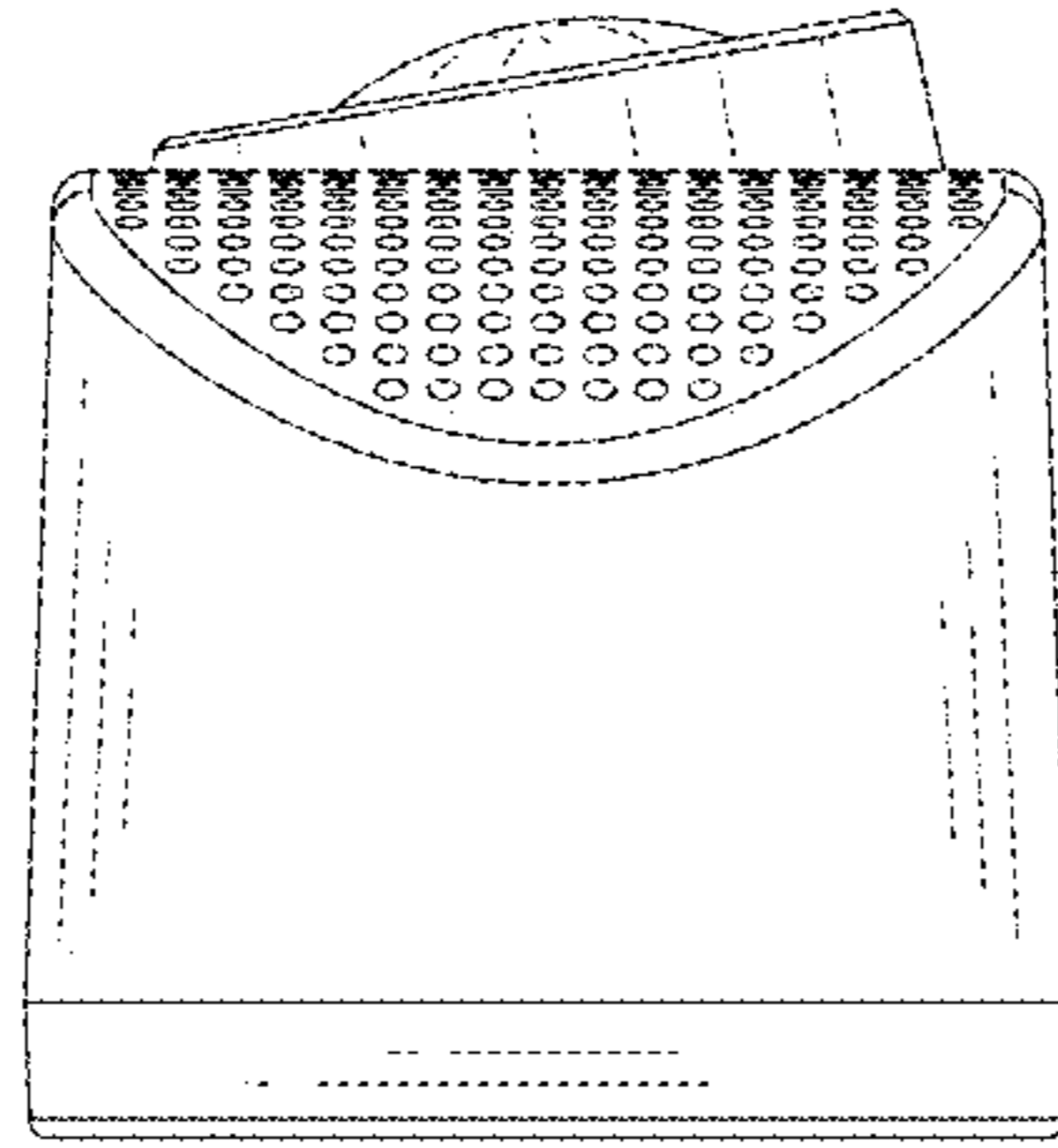


FIG. 6

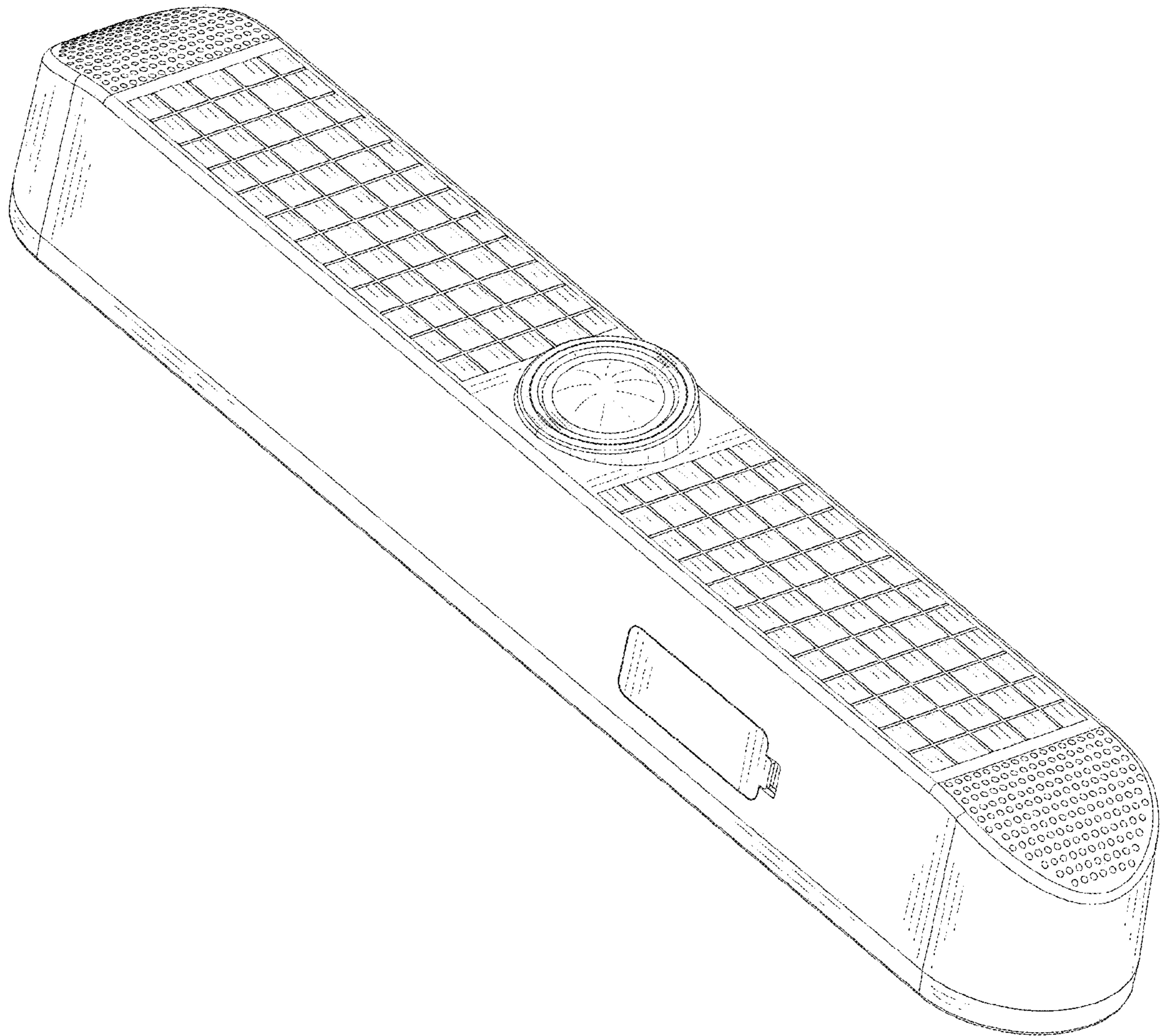


FIG. 7

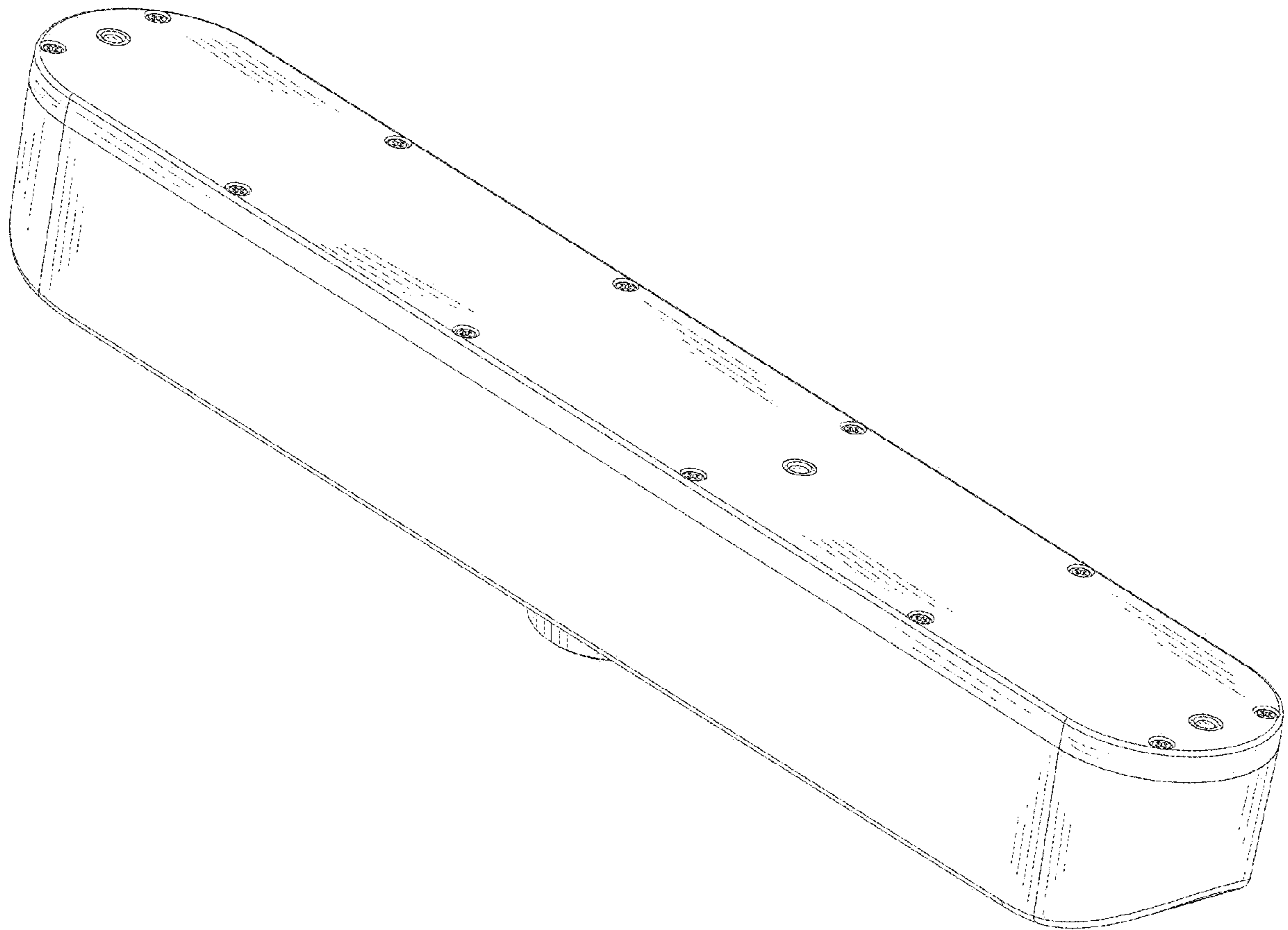


FIG. 8

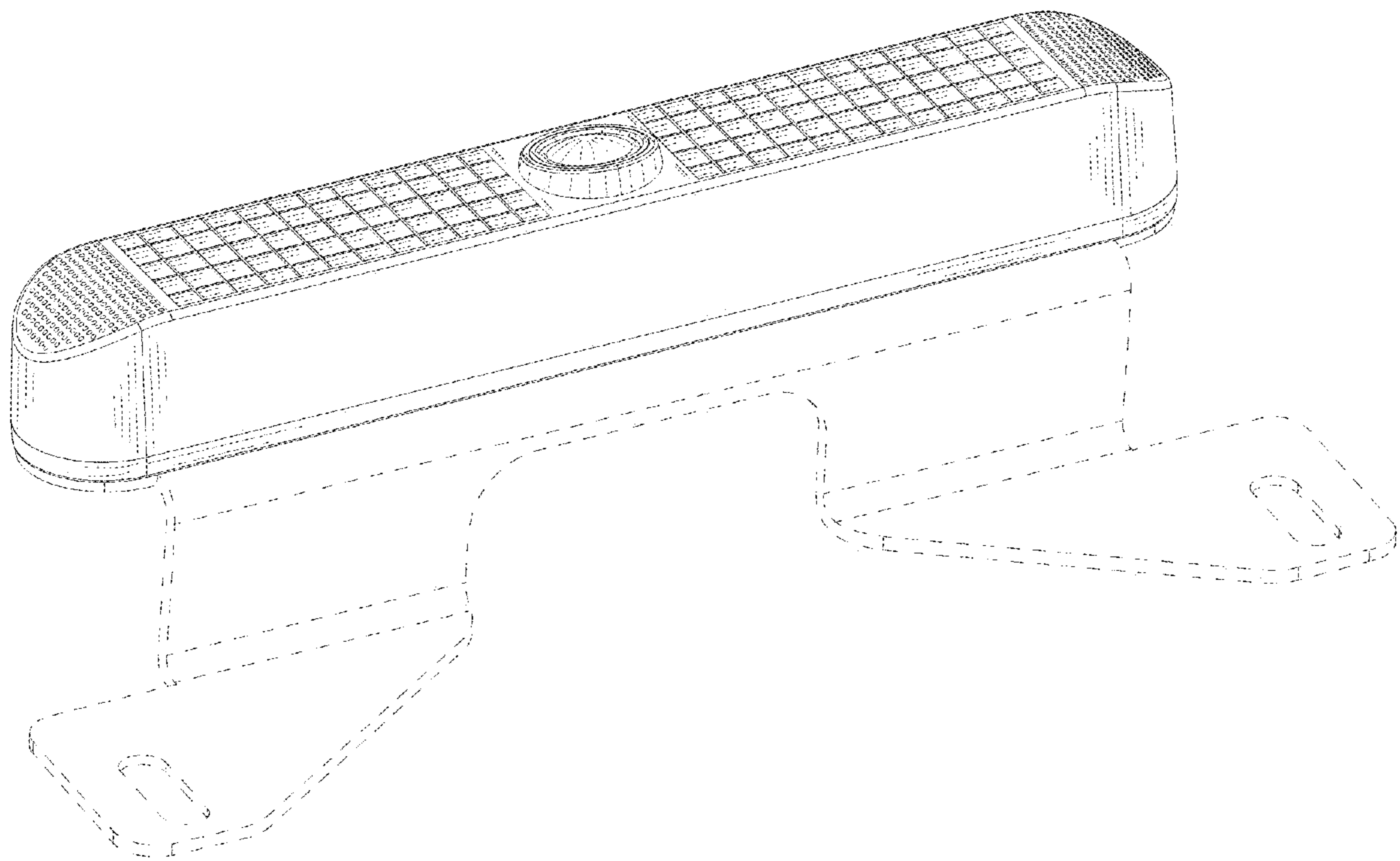


FIG. 9