



US00D875810S

(12) **United States Design Patent**  
**Hohnl et al.**

(10) **Patent No.:** **US D875,810 S**  
(45) **Date of Patent:** **\*\* Feb. 18, 2020**

(54) **MIRROR AND CAMERA HOUSING FOR VEHICLE**

*Primary Examiner* — Ramzi S Almatrahi  
(74) *Attorney, Agent, or Firm* — Schiff Hardin LLP

(71) Applicant: **Velvac Incorporated**, New Berlin, WI (US)

(72) Inventors: **Gary Hohnl**, Slinger, WI (US); **Peter J. Whitehead**, Williamsburg, VA (US); **Tim Strandell**, Waukesha, WI (US); **Bernard Krauska**, Waukesha, WI (US)

(73) Assignee: **VELVAC INCORPORATED**, New Berlin, WI (US)

(\*\*) Term: **15 Years**

(21) Appl. No.: **29/619,774**

(22) Filed: **Oct. 2, 2017**

(51) **LOC (12) Cl.** ..... **16-01**

(52) **U.S. Cl.**  
USPC ..... **D16/208; D12/187**

(58) **Field of Classification Search**  
USPC ..... D16/200–204, 208, 218, 219;  
D12/187–189, 400; 340/932.2, 933, 937;  
348/143, 148, 151, 360, 373–376;  
396/419, 427–429, 433, 529, 535,  
396/537–541  
CPC ..... G03B 15/03; G03B 17/02; G03B 17/04;  
G03B 17/48; G03B 17/56; G03B 19/04;  
G08G 1/0175; H04N 5/2251; H04N  
5/2252; H04N 5/2253; H04N 5/2254  
See application file for complete search history.

(56) **References Cited**

U.S. PATENT DOCUMENTS

D312,829 S *	12/1990	Kuroki	.....	D16/214
D381,670 S *	7/1997	Priestman	.....	D16/200
D421,618 S *	3/2000	Chen	.....	D16/200
D537,465 S *	2/2007	Tainaka	.....	D16/200
D639,837 S *	6/2011	Stirnemann	.....	D15/199
D766,352 S *	9/2016	Hinkel	.....	D16/203

(Continued)

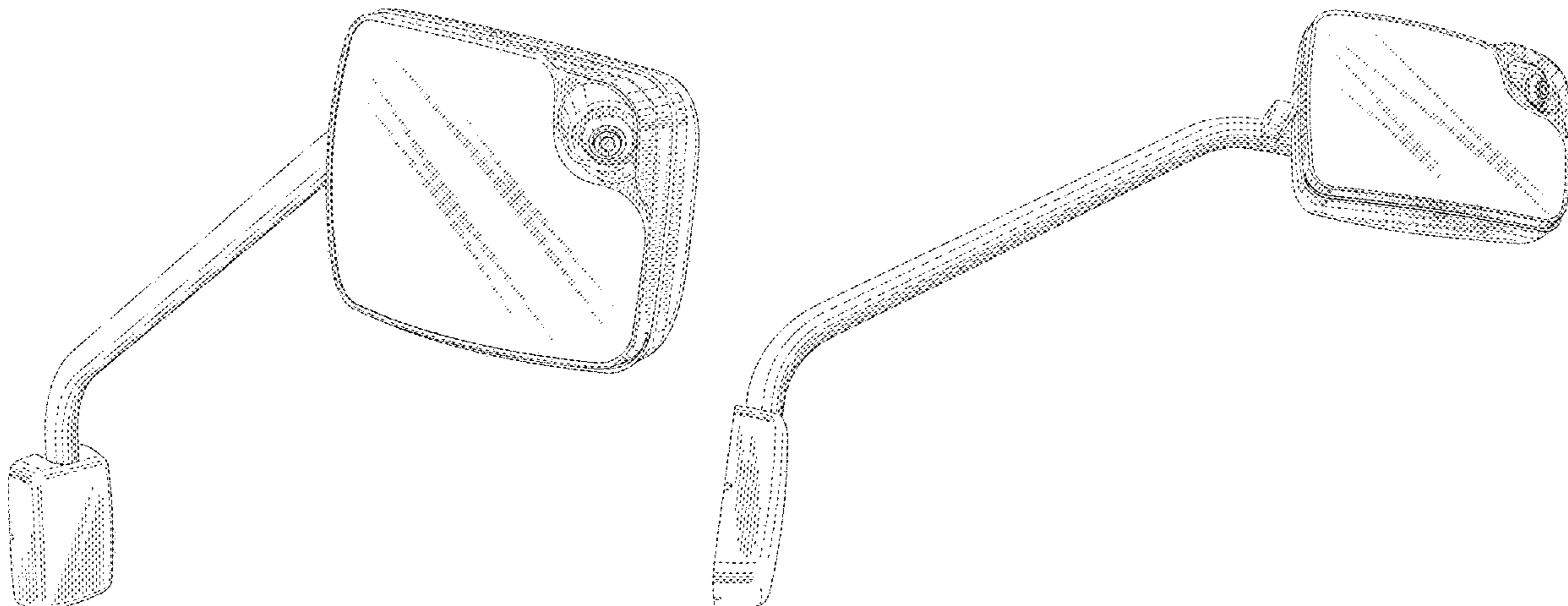
(57) **CLAIM**

The ornamental design for a mirror and camera housing for vehicle, as shown and described.

**DESCRIPTION**

FIG. 1 is a top, back and left side perspective view of a mirror and camera housing for vehicle according to a first embodiment;  
FIG. 2 is a bottom, back and right side perspective view thereof;  
FIG. 3 is a back elevational view thereof;  
FIG. 4 is a front elevational view thereof;  
FIG. 5 is a side elevational view of the right side thereof;  
FIG. 6 is a side elevational view of the left side thereof;  
FIG. 7 is a top plan view thereof;  
FIG. 8 is a bottom plan view thereof;  
FIG. 9 is a top, back and right side perspective view of a mirror and camera housing for vehicle according to a first embodiment;  
FIG. 10 is a bottom, back and left side perspective view thereof;  
FIG. 11 is a back elevational view of the second embodiment;  
FIG. 12 is a front elevational view of the second embodiment;  
FIG. 13 is a side elevational view of the right side of the second embodiment;  
FIG. 14 is a side elevational view of the left side of the second embodiment;  
FIG. 15 is a top plan view of the second embodiment; and,  
FIG. 16 is a bottom plan view of the second embodiment.  
The broken lines depict portions of the mirror and camera housing for vehicle in which the design is embodied that form no part of the claimed design.

**1 Claim, 12 Drawing Sheets**



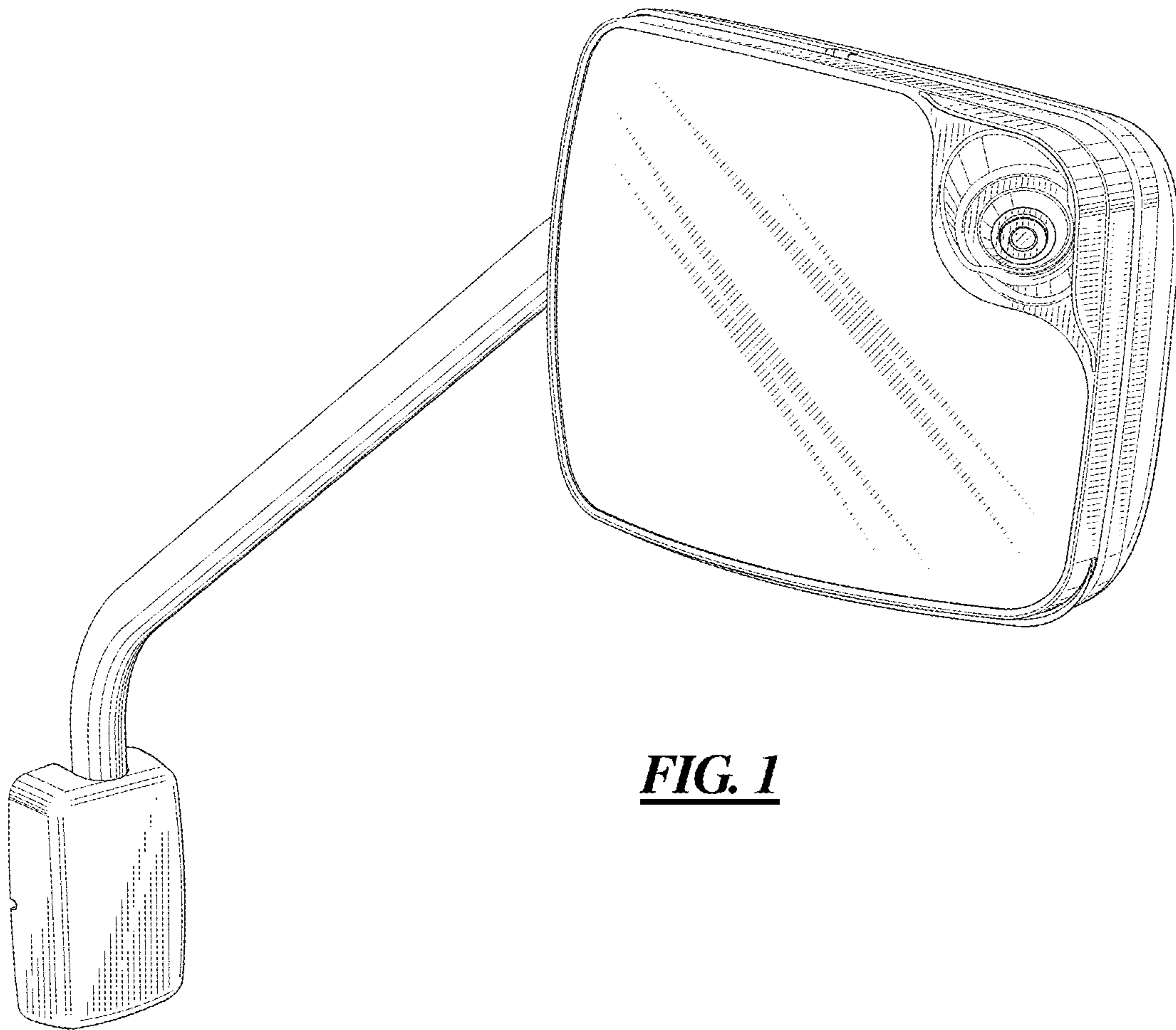
(56)

**References Cited**

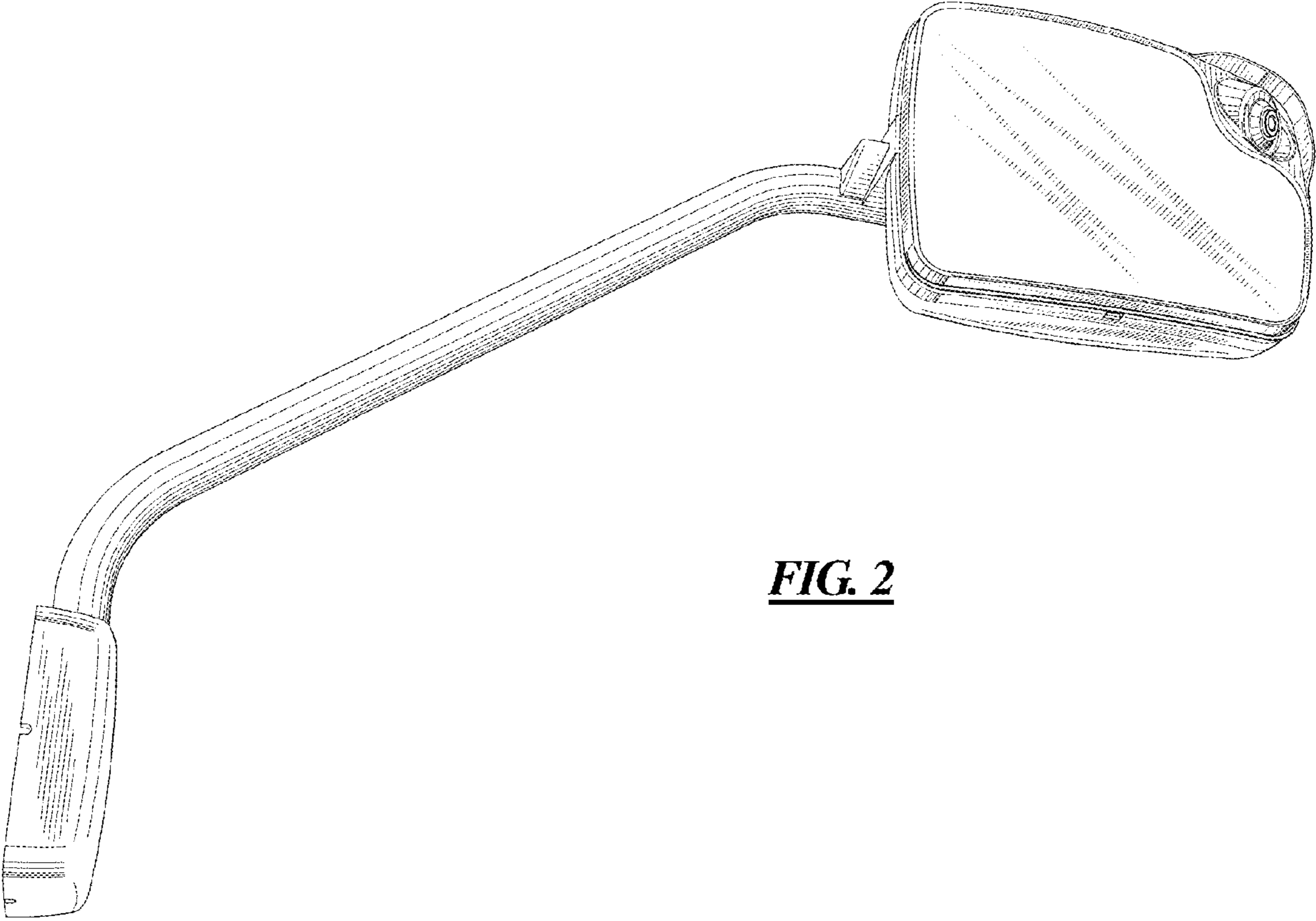
U.S. PATENT DOCUMENTS

9,527,447	B2 *	12/2016	Chen .....	G01S 19/42
D781,727	S *	3/2017	Jackson .....	D10/65
D821,278	S *	6/2018	Unveren .....	D12/187
D824,448	S *	7/2018	Jackson .....	D16/218
2005/0047158	A1 *	3/2005	Koehler .....	B60Q 1/2665 362/487

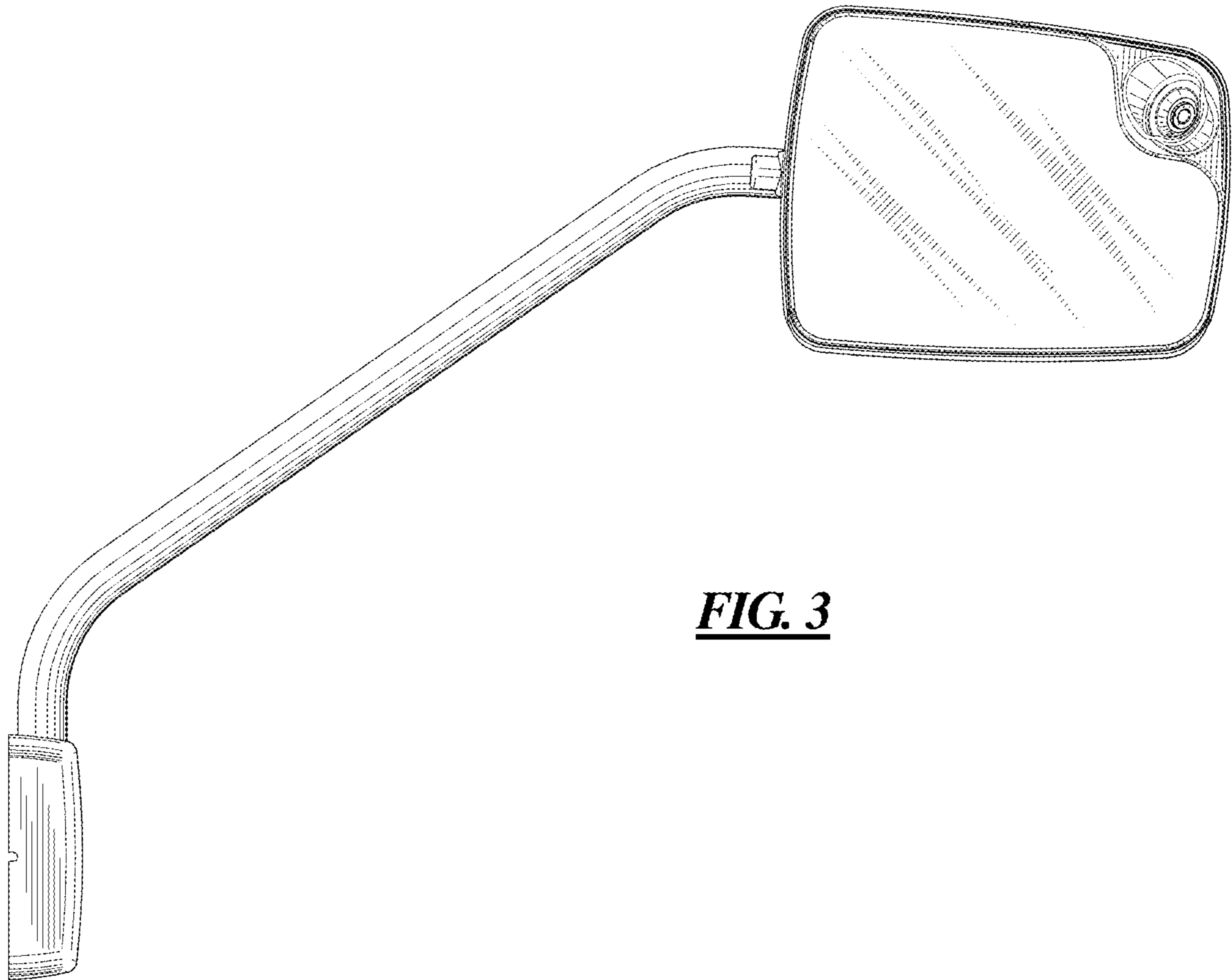
\* cited by examiner



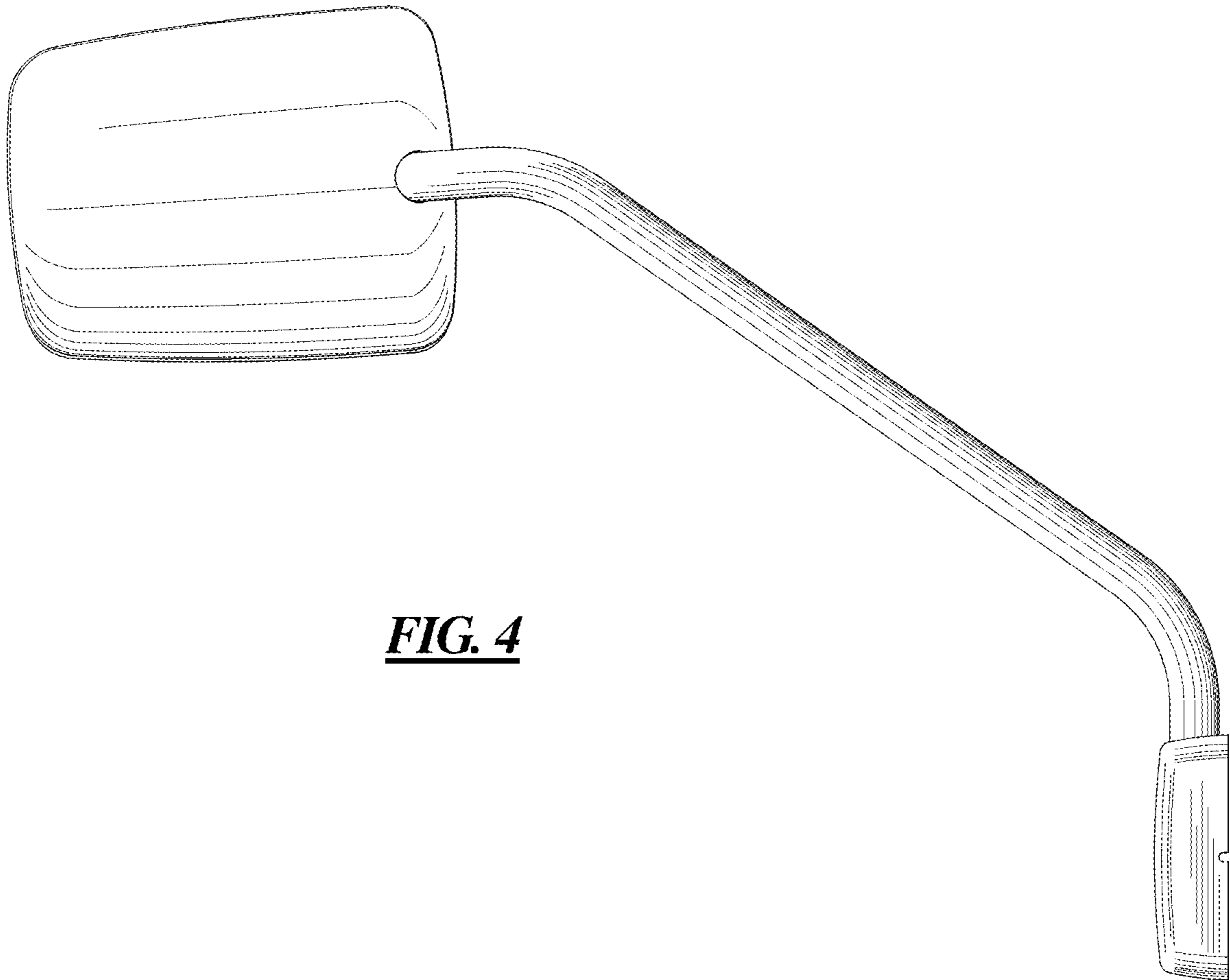
**FIG. 1**



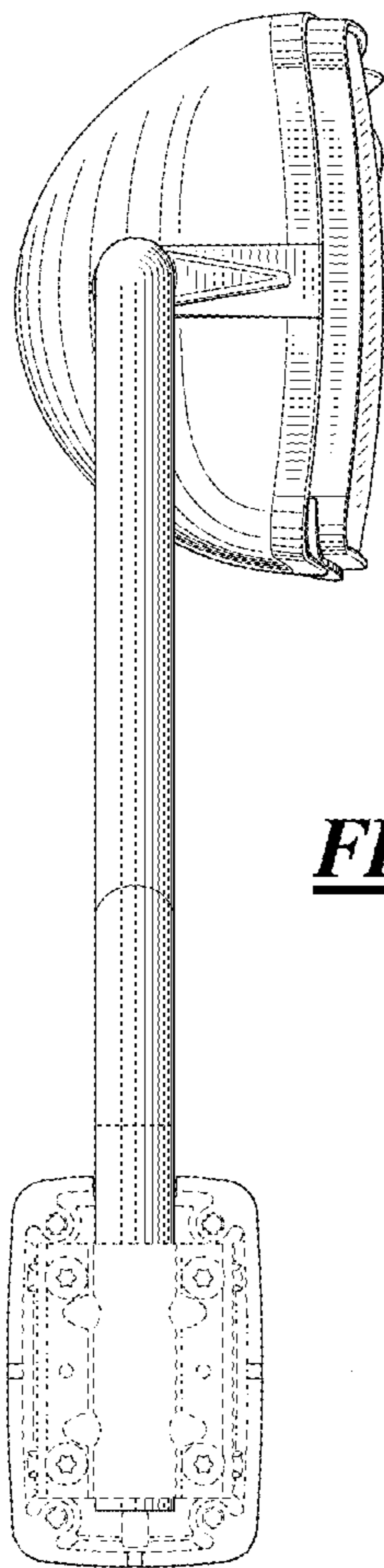
**FIG. 2**



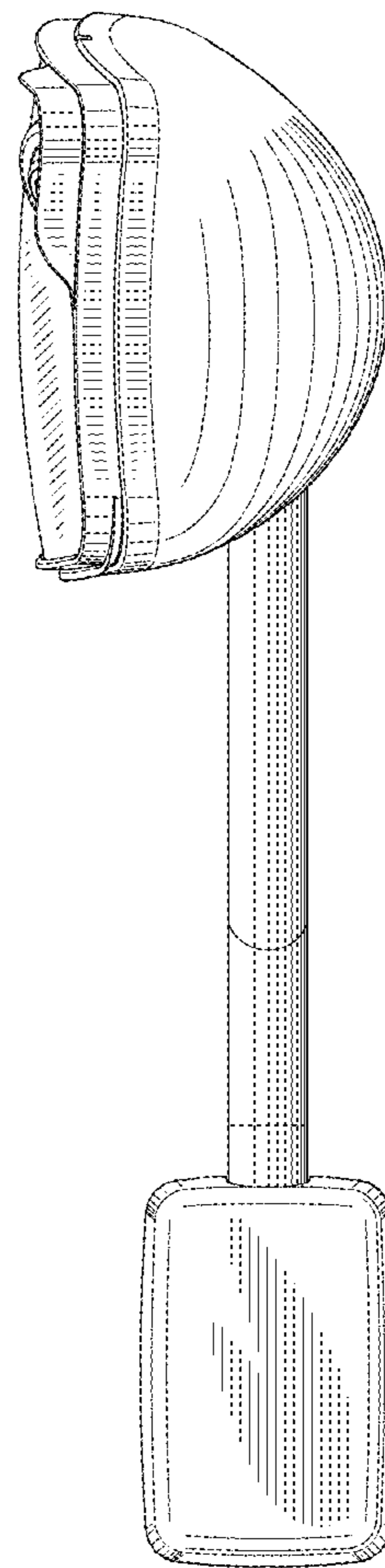
**FIG. 3**



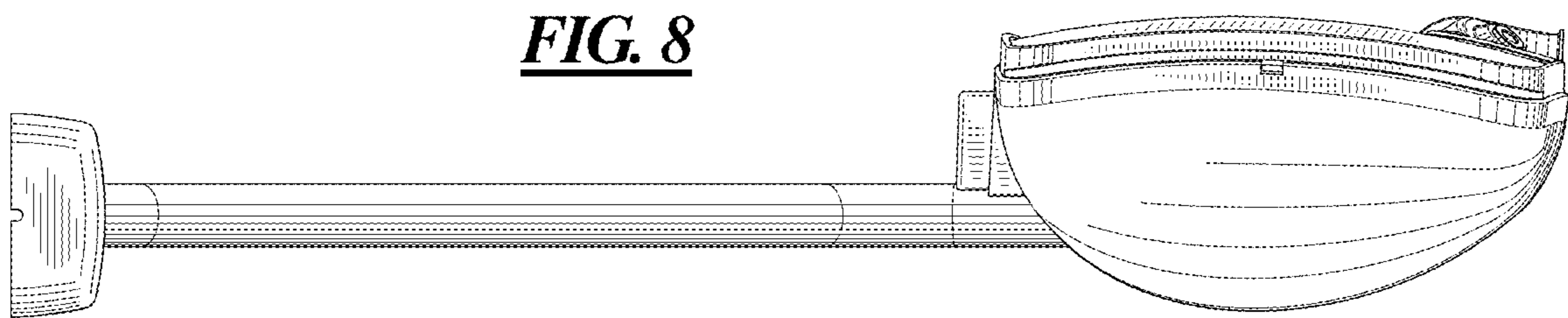
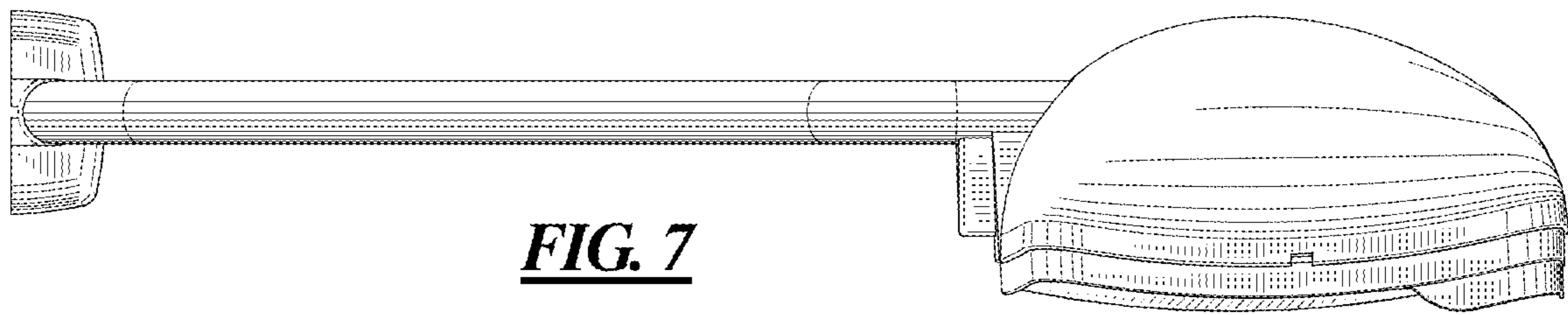
**FIG. 4**



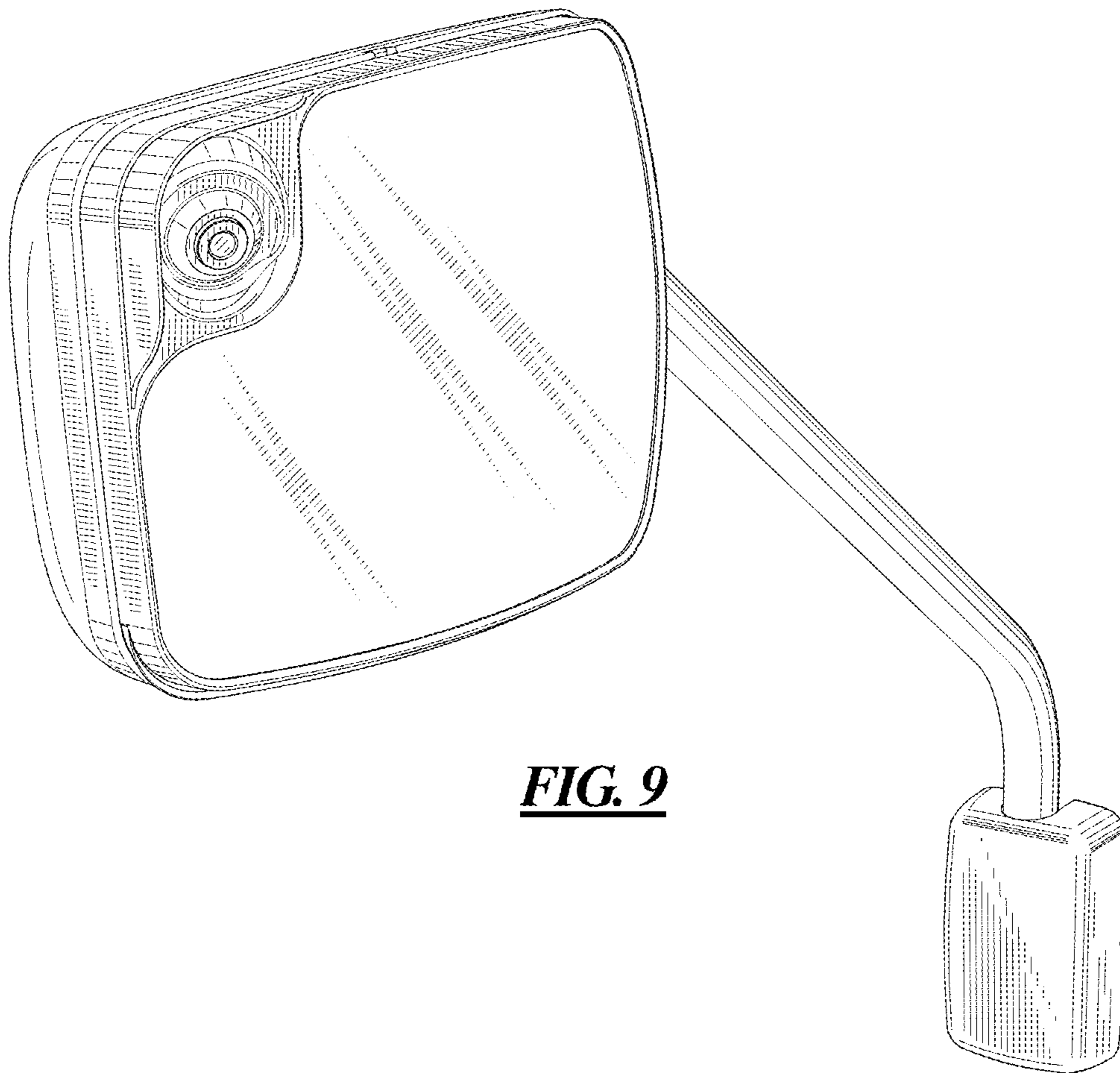
**FIG. 5**



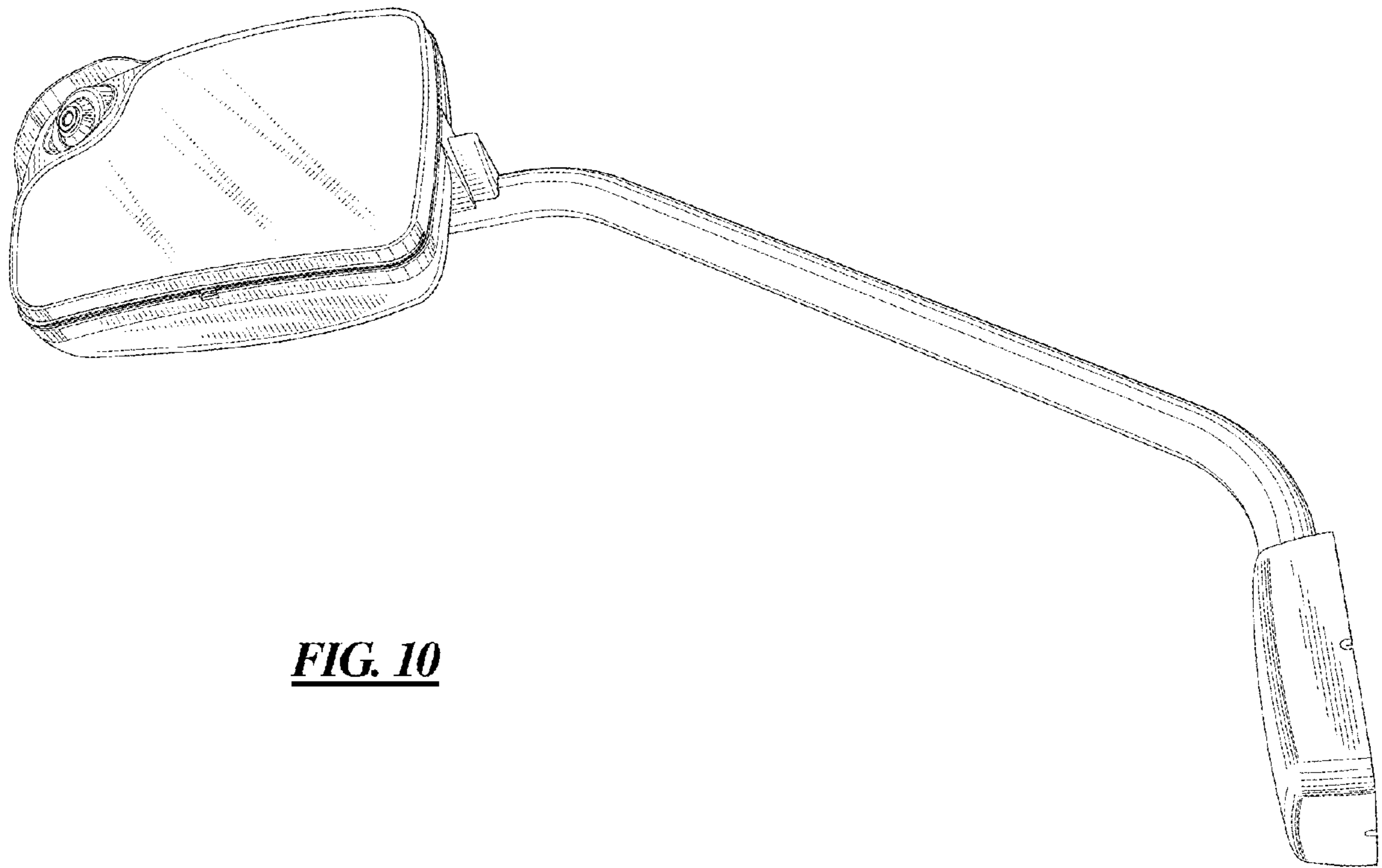
**FIG. 6**



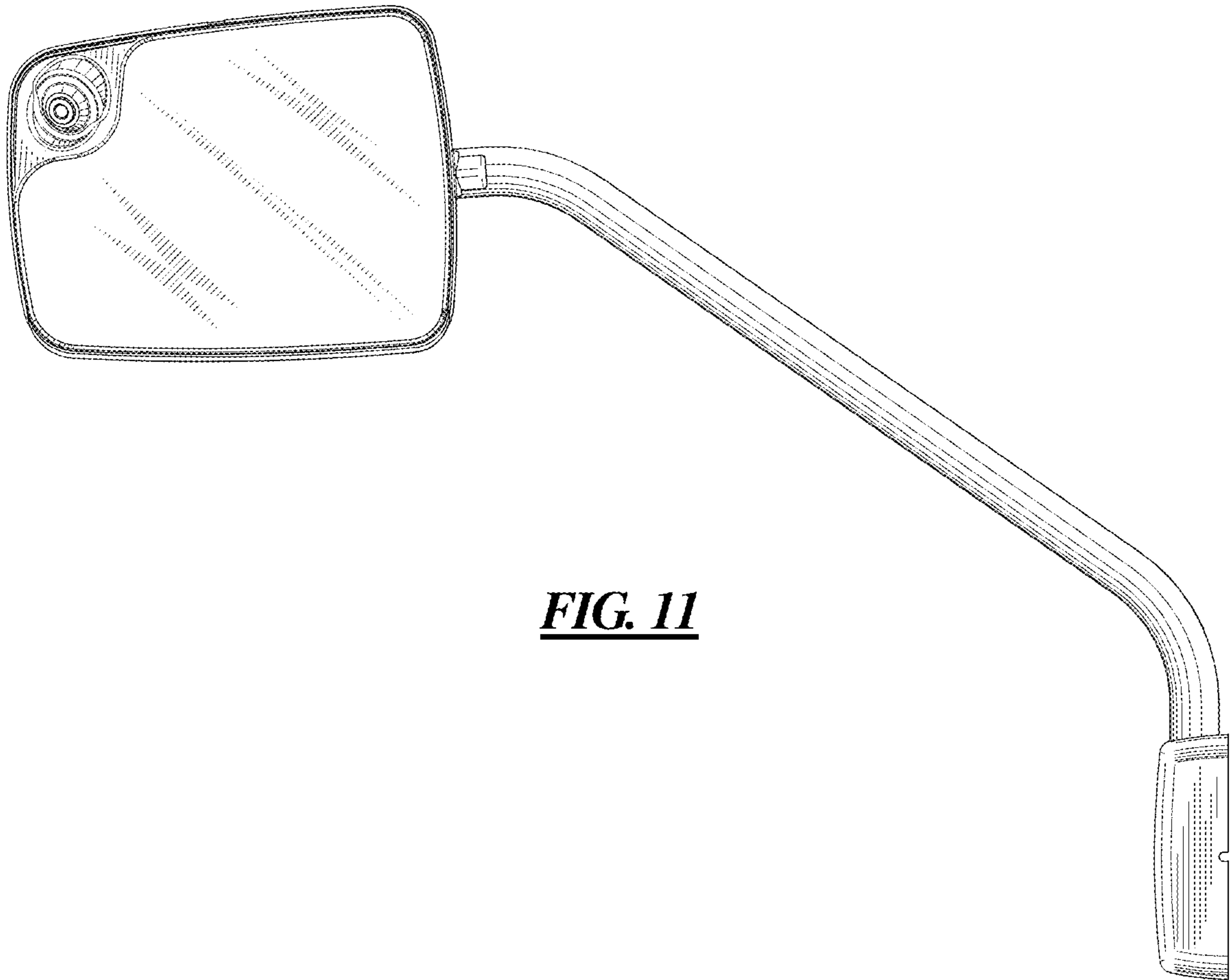




**FIG. 9**

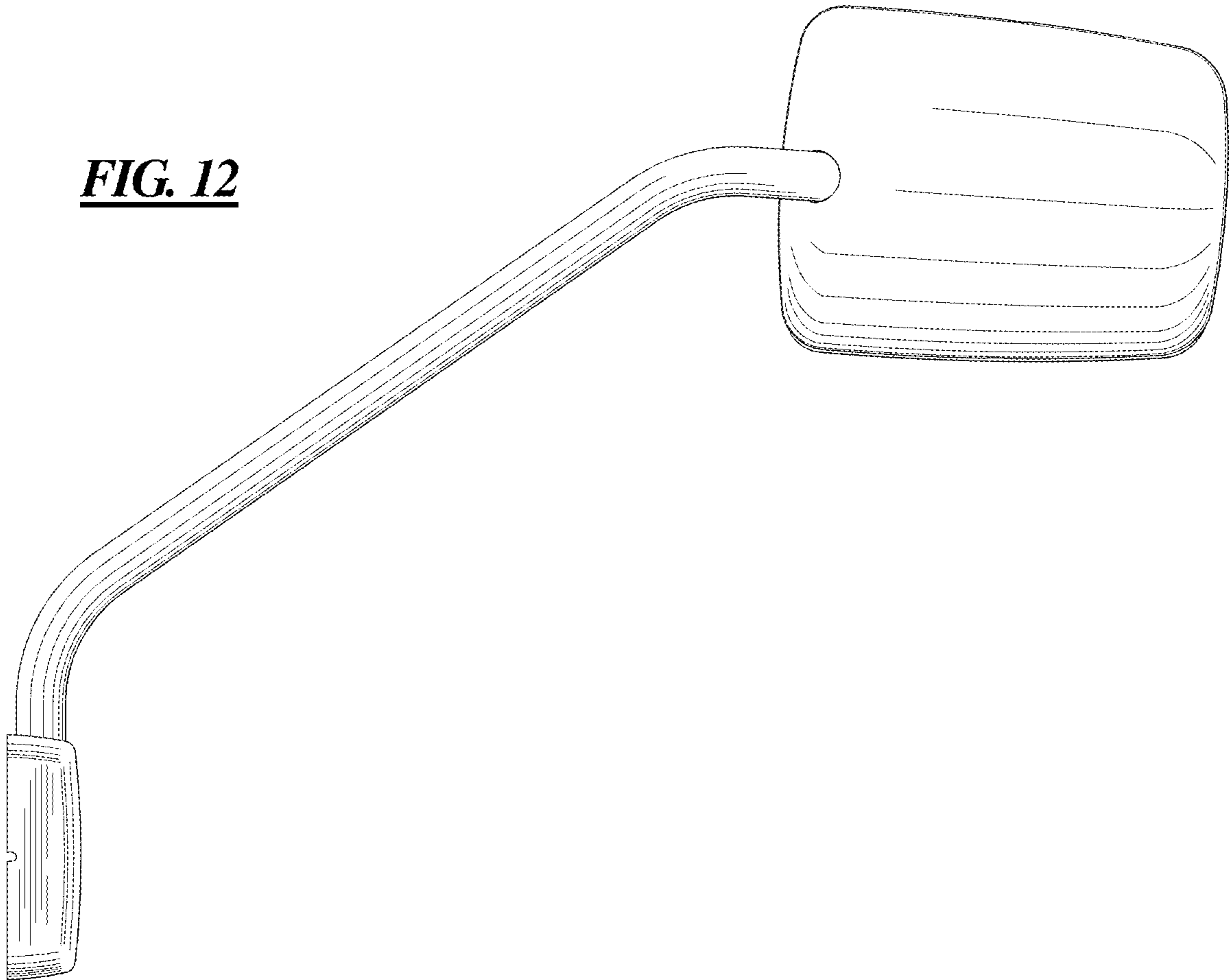


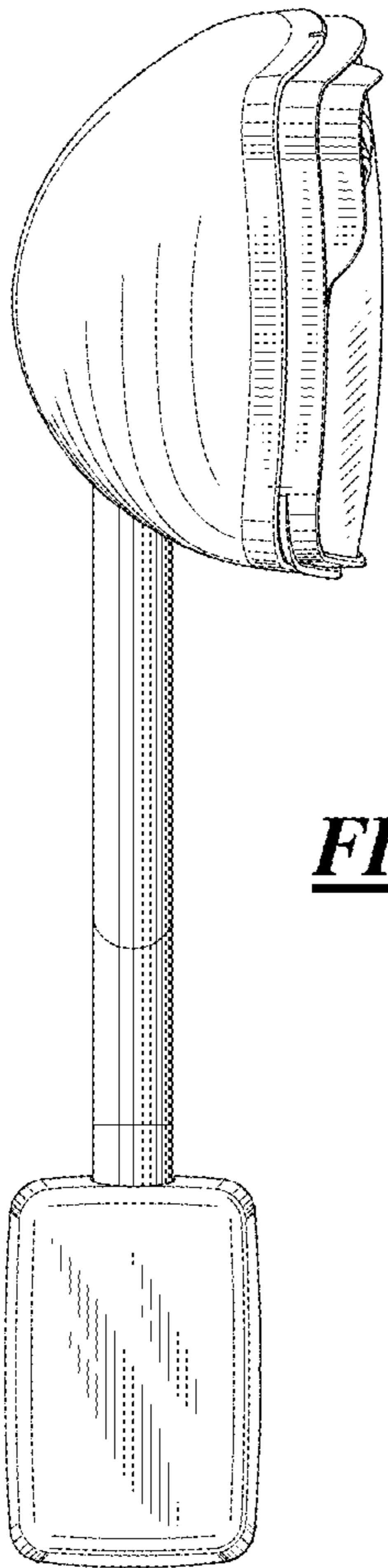
**FIG. 10**



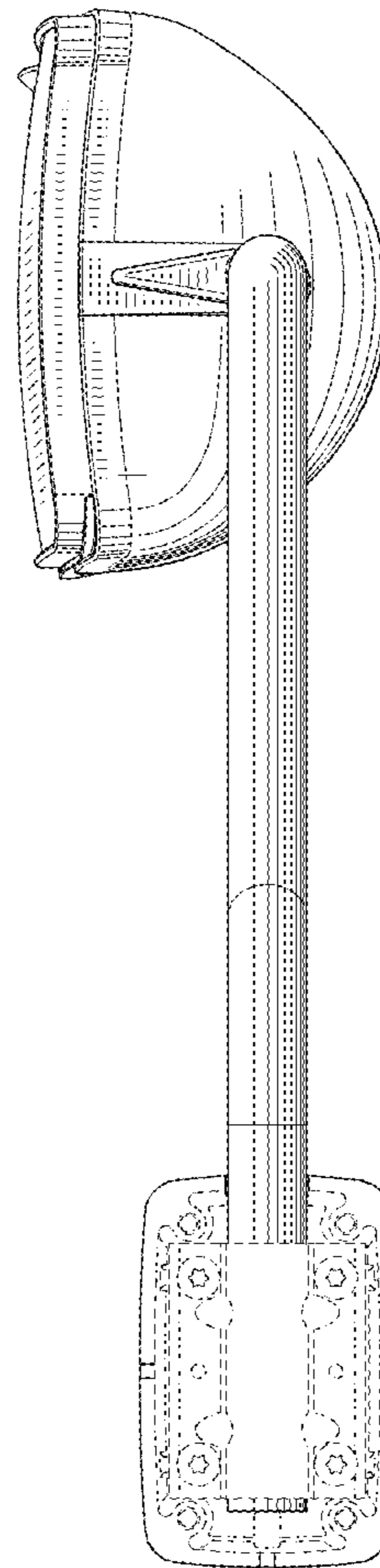
**FIG. 11**

**FIG. 12**

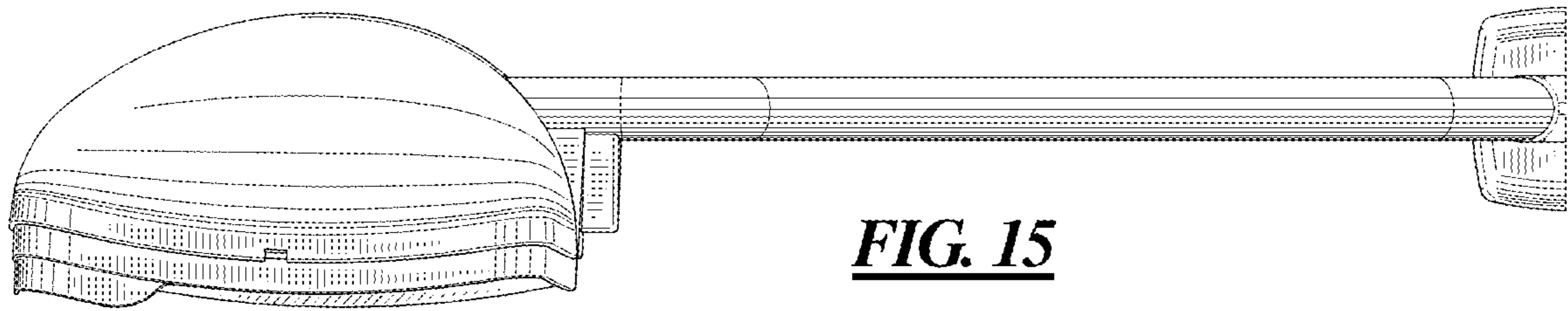




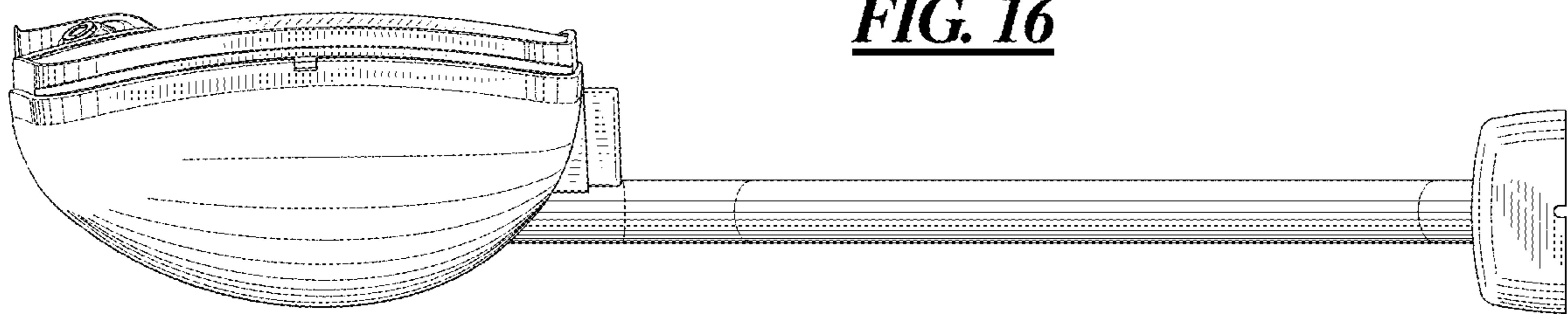
**FIG. 13**



**FIG. 14**



**FIG. 15**



**FIG. 16**