



US00D875808S

(12) **United States Design Patent**
Park et al.

(10) **Patent No.:** **US D875,808 S**

(45) **Date of Patent:** **** *Feb. 18, 2020**

(54) **CAMERA HOUSING**

5/2252; H04N 5/2253; H04N 5/2254;
H04N 7/00; H04N 2101/00; F16M 13/00

See application file for complete search history.

(71) Applicant: **Cisco Technology, Inc.**, San Jose, CA
(US)

(56) **References Cited**

(72) Inventors: **Kyunyoung Park**, Foster City, CA
(US); **Nicholas James Kaoru Kawamoto**,
Novato, CA (US); **Peter W. Gleason**,
Berkeley, CA (US); **Nicholas Dye Abalos**,
San Francisco, CA (US); **Ian Matthew Snyder**,
San Francisco, CA (US); **Jennifer Ouk**,
San Francisco, CA (US)

U.S. PATENT DOCUMENTS

D325,212 S * 4/1992 Elberbaum D16/219
D412,924 S * 8/1999 Hiraguchi D16/203
D414,504 S * 9/1999 Madden D16/203

(Continued)

FOREIGN PATENT DOCUMENTS

CN 301465318 * 2/2011
CN 302309136 * 1/2013

(Continued)

(73) Assignee: **CISCO TECHNOLOGY, INC.**, San
Jose, CA (US)

OTHER PUBLICATIONS

(*) Notice: This patent is subject to a terminal dis-
claimer.

Vintage Tulip table lamp—1970s, available for sale 1970s, pub-
lished 2019 [online], [retrieved Jun. 19, 2019], Available from
Internet, URL: <https://www.design-mkt.com/39978-vintage-tulip-table-lamp-1970s.html>.*

(**) Term: **15 Years**

(Continued)

(21) Appl. No.: **29/636,167**

Primary Examiner — T Chase Nelson

(22) Filed: **Feb. 6, 2018**

Assistant Examiner — Mary Claire Ramirez

(51) **LOC (12) Cl.** **16-01**

(74) *Attorney, Agent, or Firm* — Polsinelli PC

(52) **U.S. Cl.**
USPC **D16/203**

(57) **CLAIM**

We claim the ornamental design for a camera housing, as
shown and described.

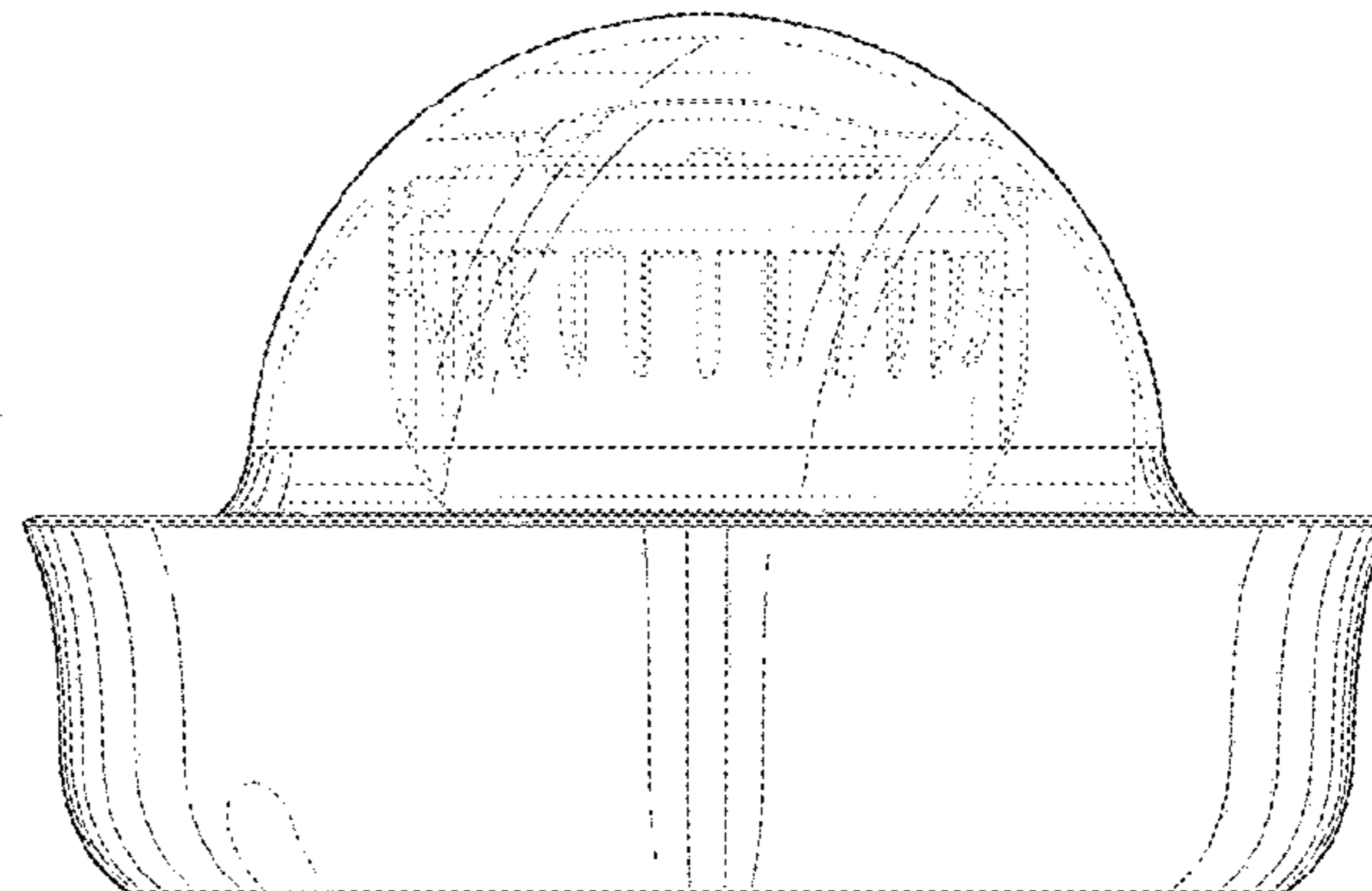
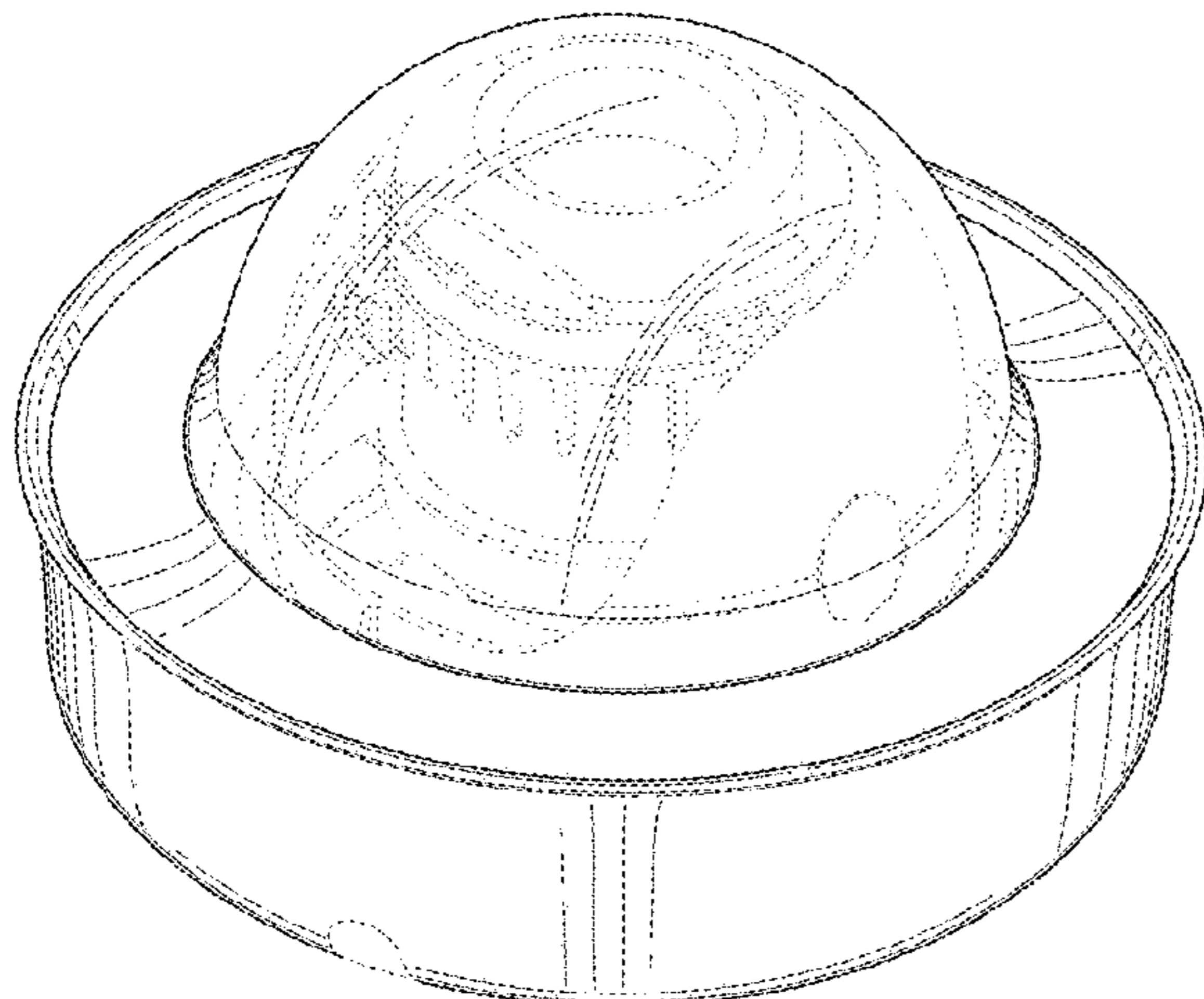
(58) **Field of Classification Search**

DESCRIPTION

USPC D16/200–220, 131, 237, 242, 239, 250,
D16/235, 130, 134, 136, 238;
D14/138 C, 240, 248, 203.1, 203.3, 203.7,
D14/218; D10/104.1, 50, 65, 74, 70,
D10/118.2
CPC ... G02B 7/02; G02B 7/04; G02B 7/14; G02B
3/14; G03B 17/00; G03B 17/02; G03B
17/56; G03B 17/04; G03B 17/14; G03B
15/03; G03B 9/08; H04N 5/2251; H04N

FIG. 1 is a perspective view of a camera housing, showing
our new design;
FIG. 2 is a front elevational view thereof;
FIG. 3 is a rear elevational view thereof;
FIG. 4 is a left side elevational view thereof;
FIG. 5 is a right side elevational view thereof;
FIG. 6 is a top plan view thereof; and,
FIG. 7 is a bottom plan view thereof.

(Continued)



The broken lines shown in the drawings depict portions of the camera housing that form no part of the claimed design.

1 Claim, 7 Drawing Sheets

(56)

References Cited

U.S. PATENT DOCUMENTS

D415,509 S *	10/1999	Hiraguchi	D16/203
D424,087 S *	5/2000	Frick	396/427
D497,927 S *	11/2004	Arbuckle	D16/203
D547,347 S *	7/2007	Kim	D16/202
D556,236 S *	11/2007	Kim	D16/202
D560,244 S *	1/2008	Naruki	D16/203
D561,808 S *	2/2008	Arnold	D16/203
D564,557 S *	3/2008	Yamamoto	D16/203
D576,196 S *	9/2008	Grotto	D16/203
D581,961 S *	12/2008	Shioya	D16/203
D584,756 S *	1/2009	Yamakawa	D16/203
D594,048 S *	6/2009	Yamakawa	D16/203
D615,115 S *	5/2010	Arnold	D16/203
D628,225 S *	11/2010	Deurwaarder	D16/203
D636,805 S *	4/2011	Anneback	D16/203
D644,677 S *	9/2011	Park	D16/203
D668,701 S *	10/2012	Ohno	D16/203
D676,478 S *	2/2013	Uehara	D16/203
D690,345 S *	9/2013	Seo	D16/203
D701,258 S *	3/2014	Huang	D16/203
D702,275 S *	4/2014	Ying	D16/203
D719,600 S *	12/2014	Katori	D16/203
D719,994 S *	12/2014	Wang	D16/203
D742,447 S *	11/2015	Stark	D16/203
D753,752 S *	4/2016	Ahman	D16/203
D753,753 S *	4/2016	Moon	D16/203
9,451,133 B2 *	9/2016	Stark	F16M 13/02
D782,557 S *	3/2017	Ahman	D16/203

D791,851 S *	7/2017	Zhang	D16/203
D798,934 S *	10/2017	Wu	D16/203
D815,173 S *	4/2018	Hikima	D16/203
D825,638 S *	8/2018	Holbrook	D16/203
D841,716 S *	2/2019	Teachworth	D16/203
D849,114 S *	5/2019	Jeong	D16/219
2007/0274706 A1 *	11/2007	Cheng	G03B 17/00 396/427
2008/0024604 A1 *	1/2008	Menegotto	G08B 13/19619 348/143
2010/0060731 A1 *	3/2010	Lin	G08B 13/19619 348/143
2010/0141760 A1 *	6/2010	Cheng	G08B 13/1963 348/143
2012/0281083 A1 *	11/2012	Chivers	G03B 17/02 348/81
2013/0287385 A1 *	10/2013	Andersson	H04N 5/2252 396/427
2015/0326759 A1 *	11/2015	Mukai	G03B 17/02 348/374
2018/0241915 A1 *	8/2018	Guan	H04N 5/225

FOREIGN PATENT DOCUMENTS

CN	302435995	*	5/2013
CN	303217885	*	5/2015
CN	303542873	*	1/2016
CN	304314626	*	10/2017
EM	000665039-0002	*	2/2007
EM	000665039-0003	*	2/2007

OTHER PUBLICATIONS

Prune_Plum Burl Wood Bowl, published Aug. 21, 2007 [online], [retrieved Jun. 19, 2019], Available from Internet, URL: <https://www.penturners.org/threads/prune-plum-burl-wood-bowl.31482/>.*

* cited by examiner

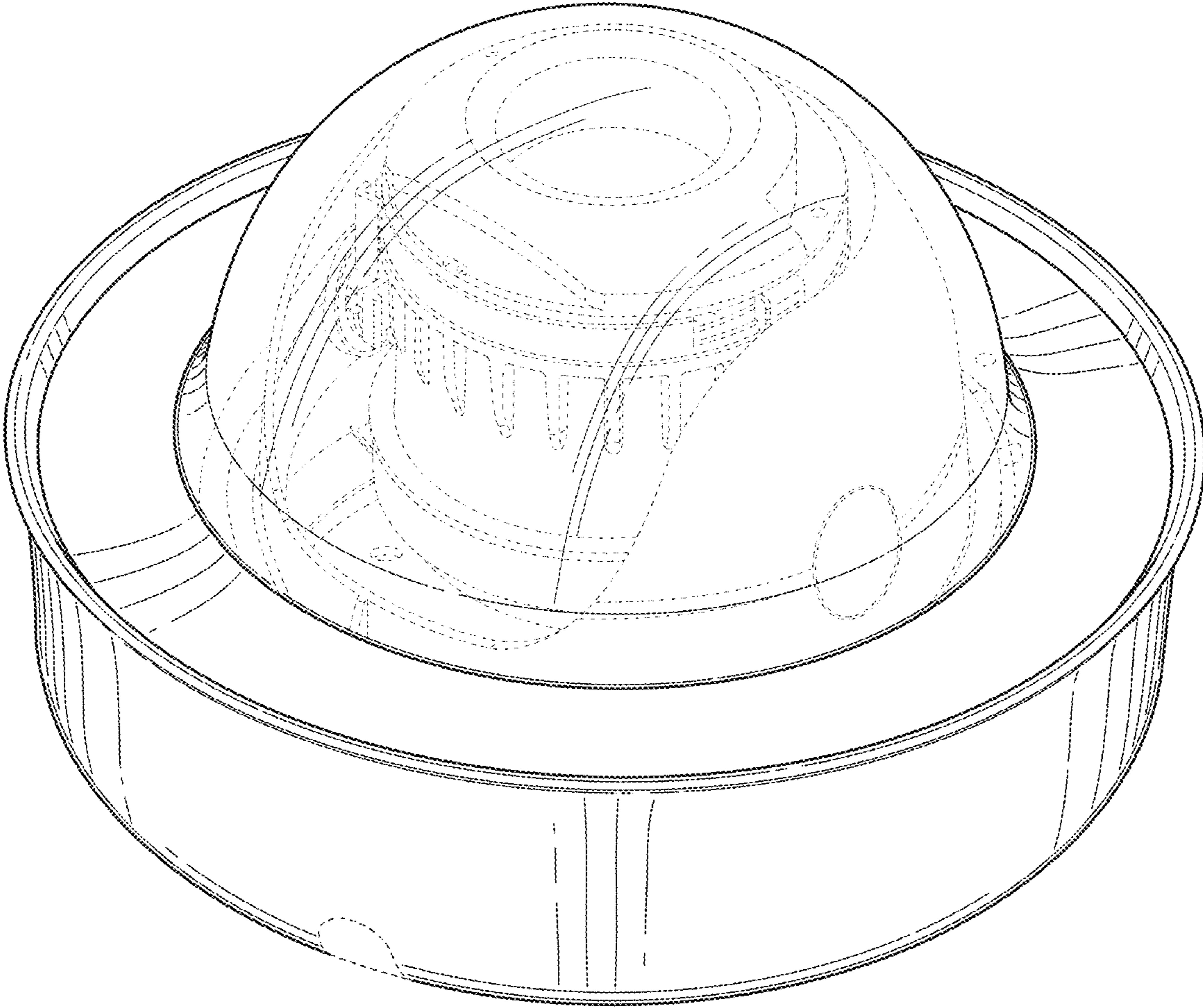


FIG. 1

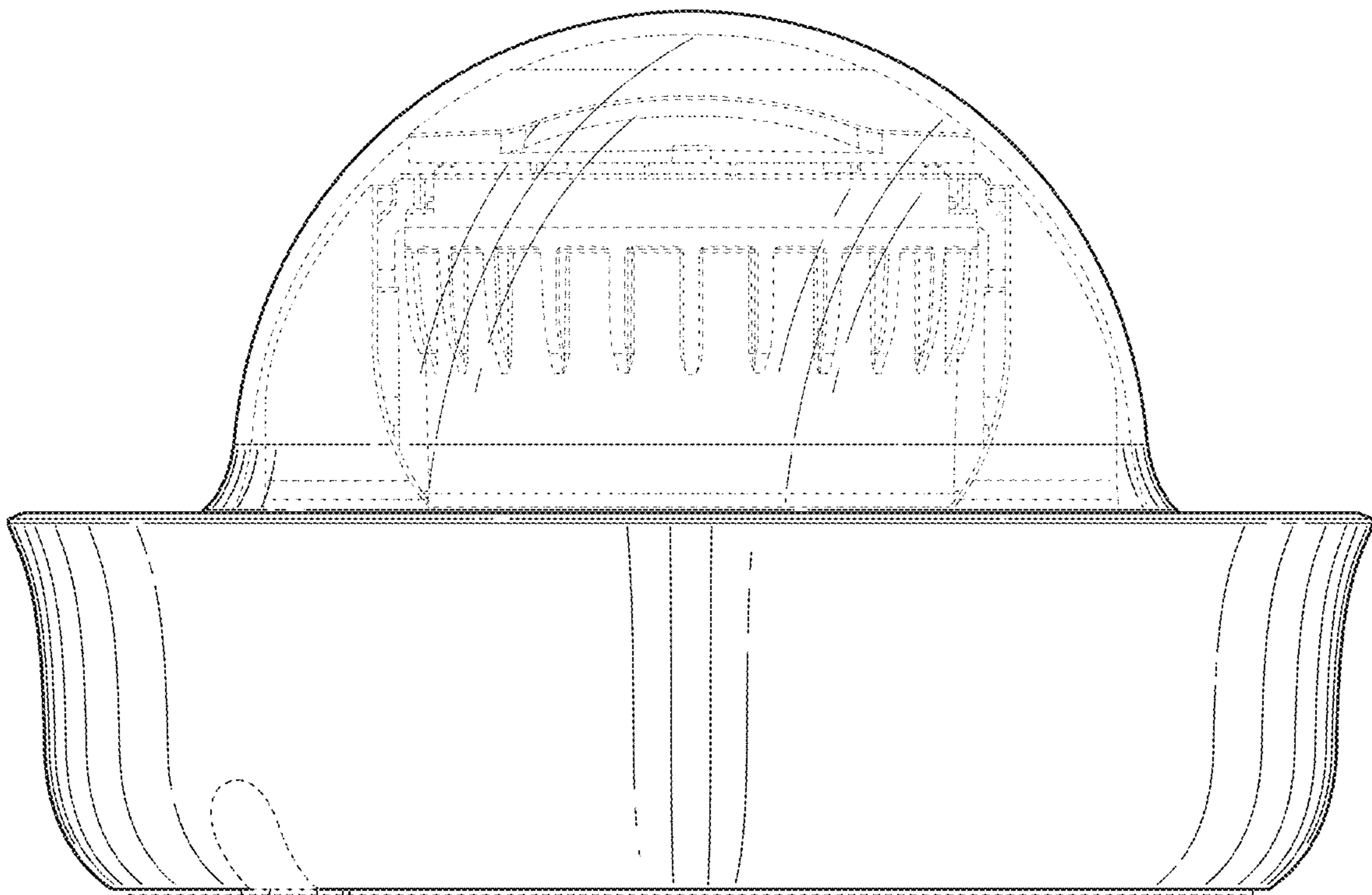


FIG. 2

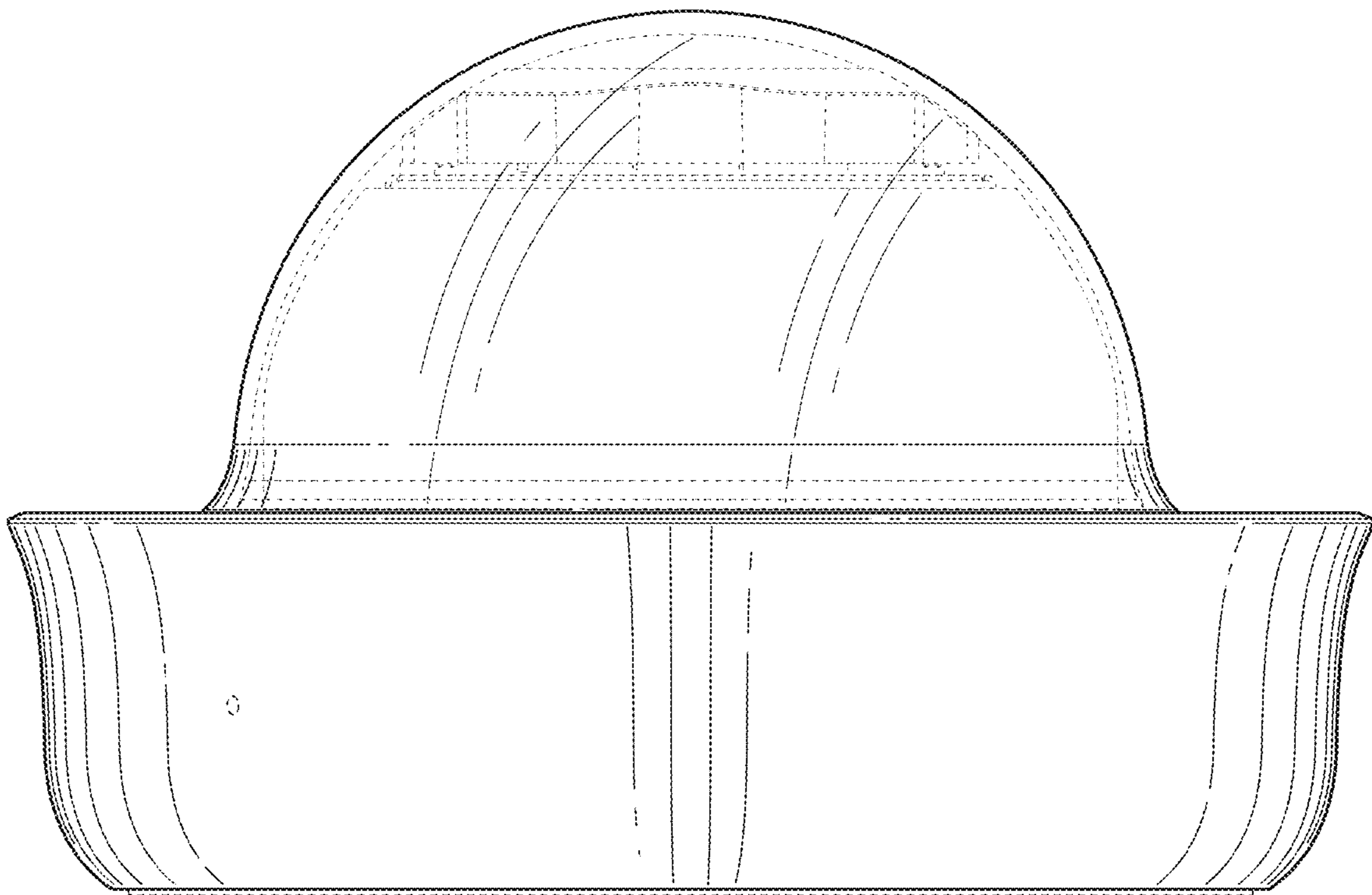


FIG. 3

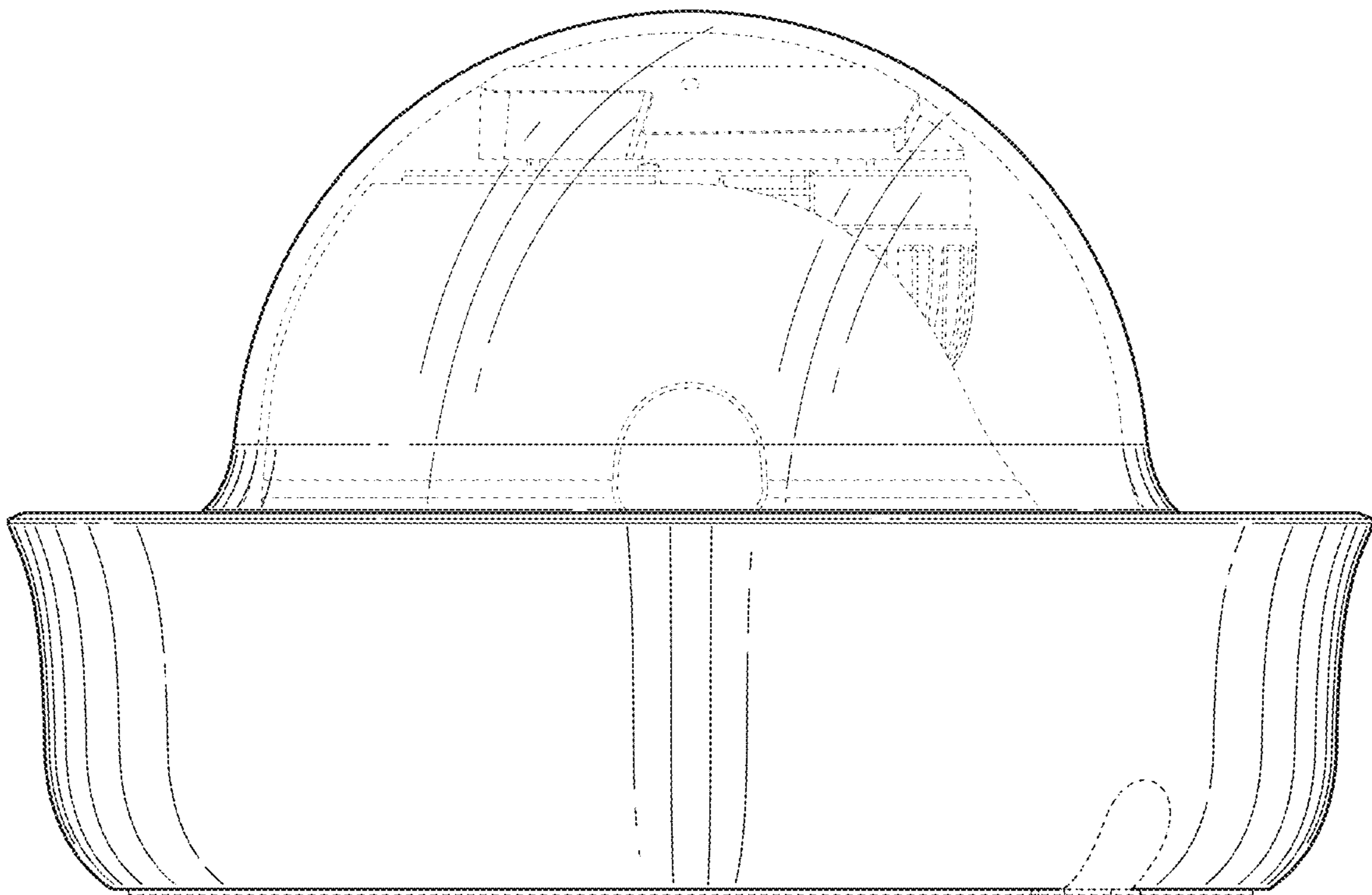


FIG. 4

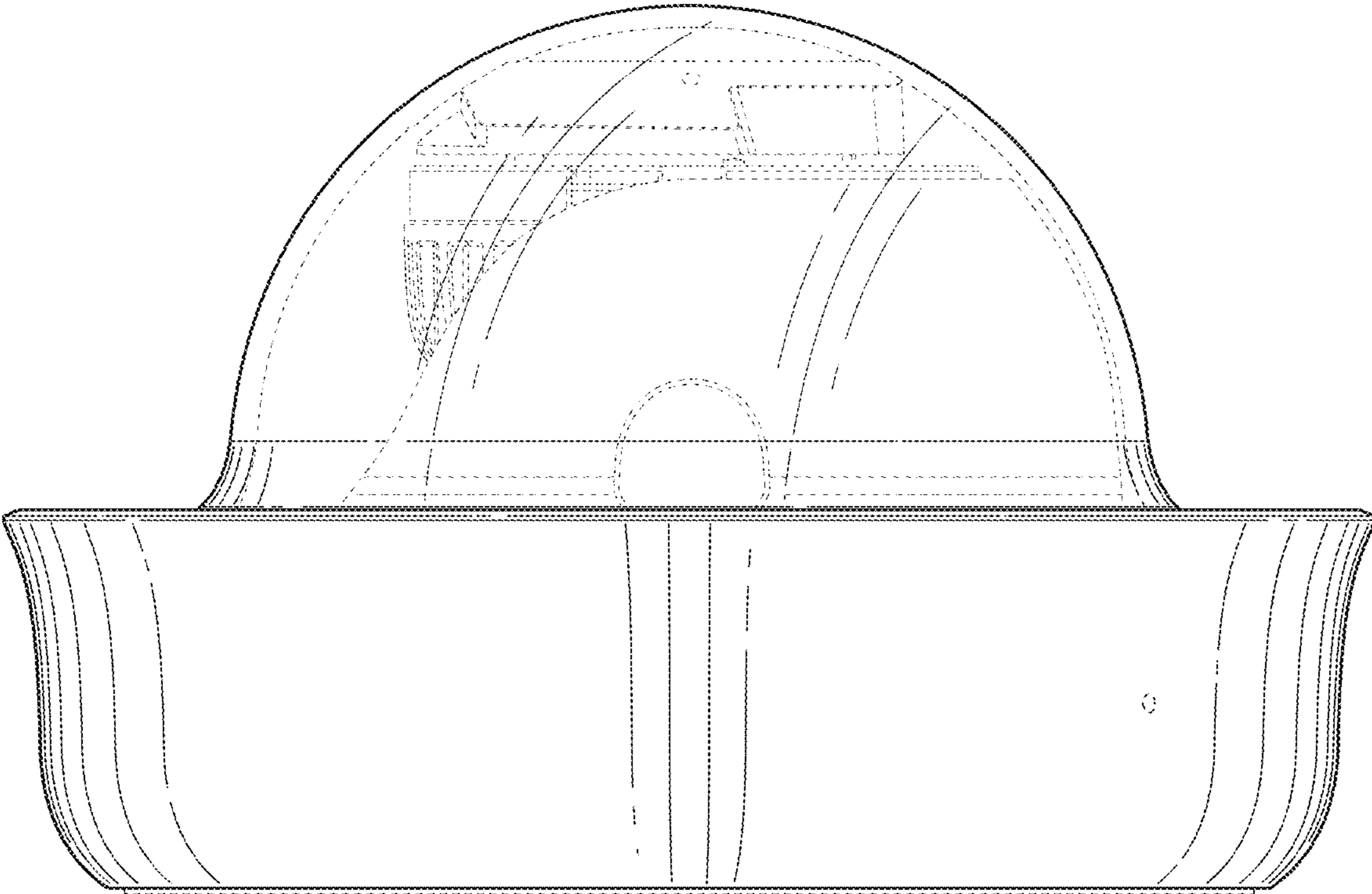


FIG. 5

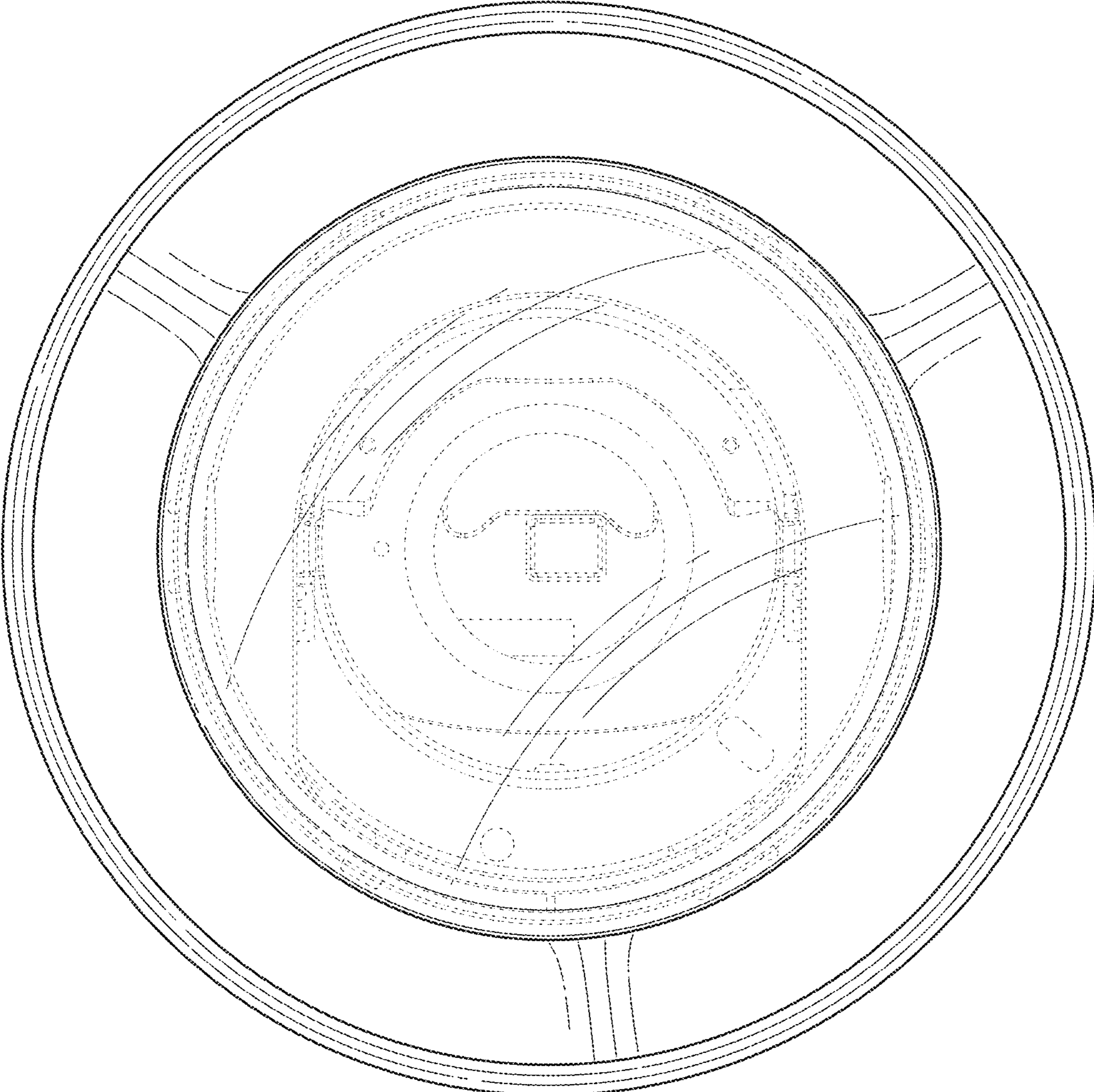


FIG. 6

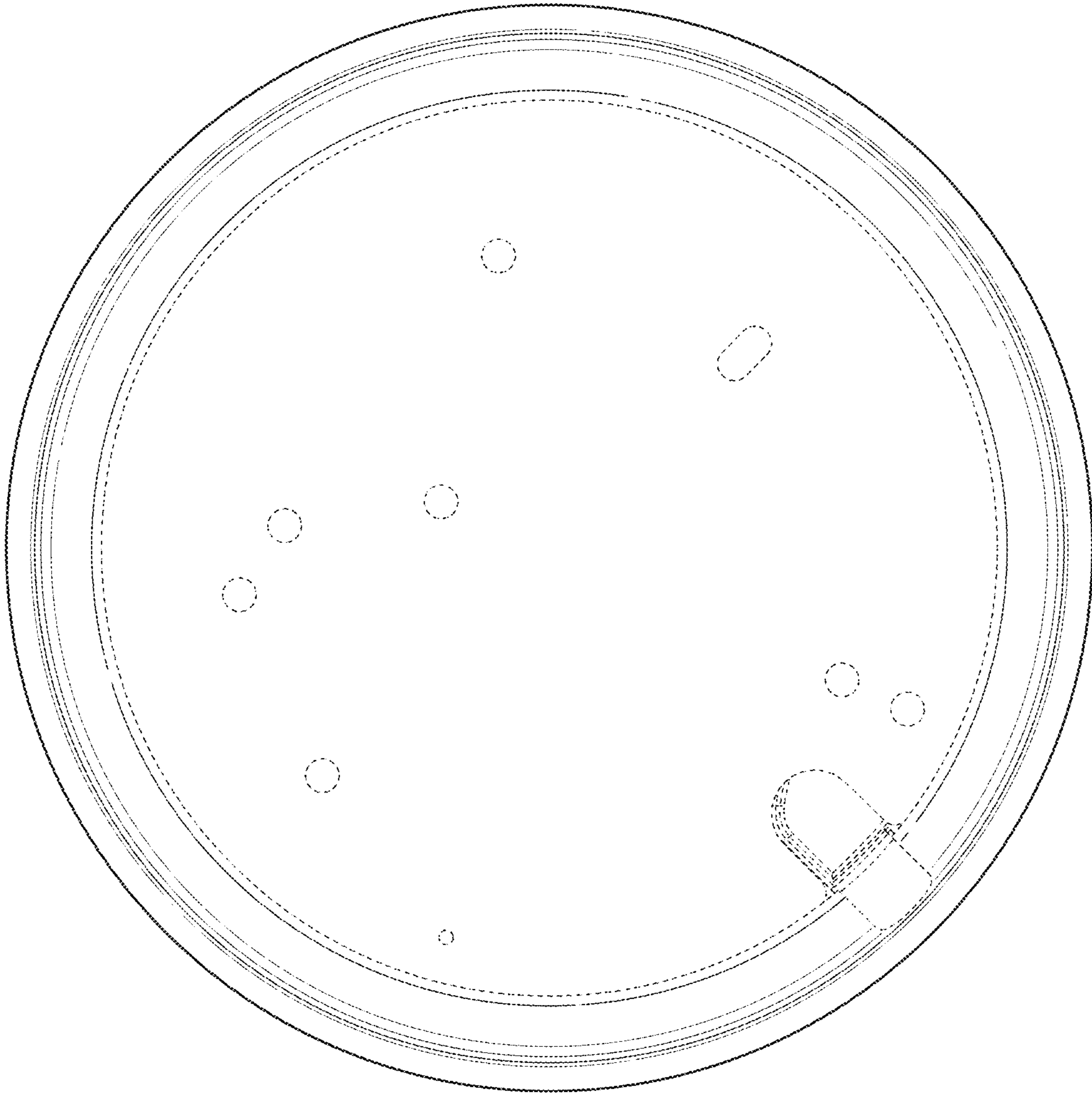


FIG. 7