



US00D875807S

(12) **United States Design Patent** (10) **Patent No.:** **US D875,807 S**  
**Luo** (45) **Date of Patent:** **\*\* Feb. 18, 2020**

(54) **TRAIL CAMERA**  
(71) Applicant: **Shenzhen Apeman E-Business Co., Ltd.**, Shenzhen (CN)  
(72) Inventor: **Tingyuan Luo**, Xinfeng (CN)  
(\*\*) Term: **15 Years**

D721,116 S \* 1/2015 Schnell ..... D16/218  
D735,259 S \* 7/2015 Vermaak ..... D16/218  
D747,754 S \* 1/2016 Smith ..... D16/203  
9,871,959 B1 \* 1/2018 Hlatky ..... H04N 5/23206  
D820,338 S \* 6/2018 Wu ..... D16/203  
D828,427 S \* 9/2018 Wu ..... D16/203  
D828,432 S \* 9/2018 Luo ..... D16/237  
D833,506 S \* 11/2018 Chen ..... D16/218

(Continued)

(21) Appl. No.: **29/629,523**  
(22) Filed: **Dec. 13, 2017**  
(51) **LOC (12) Cl.** ..... **16-01**  
(52) **U.S. Cl.**  
USPC ..... **D16/203**; D16/219  
(58) **Field of Classification Search**  
USPC ..... D16/200–220, 131, 237, 242, 239, 250,  
D16/235, 130, 134, 136, 238;  
D14/138 C, 240, 248, 203.1, 203.3,  
D14/203.7; D10/104.1, 50, 65, 74, 70,  
D10/118.2  
CPC ... G02B 7/02; G02B 7/04; G02B 7/14; G02B  
3/14; G03B 17/00; G03B 17/02; G03B  
17/56; G03B 17/04; G03B 17/14; G03B  
15/03; G03B 9/08; H04N 5/2251; H04N  
5/2252; H04N 5/2253; H04N 5/2254;  
H04N 7/00; H04N 2101/00; F16M 13/00  
See application file for complete search history.

**FOREIGN PATENT DOCUMENTS**

CN 301375810 \* 11/2010  
CN 301849574 \* 11/2010

(Continued)

*Primary Examiner* — Barbara Fox  
*Assistant Examiner* — Mary Claire Ramirez  
(74) *Attorney, Agent, or Firm* — ZANIP

(57) **CLAIM**

The ornamental design for a trail camera, as shown and described.

**DESCRIPTION**

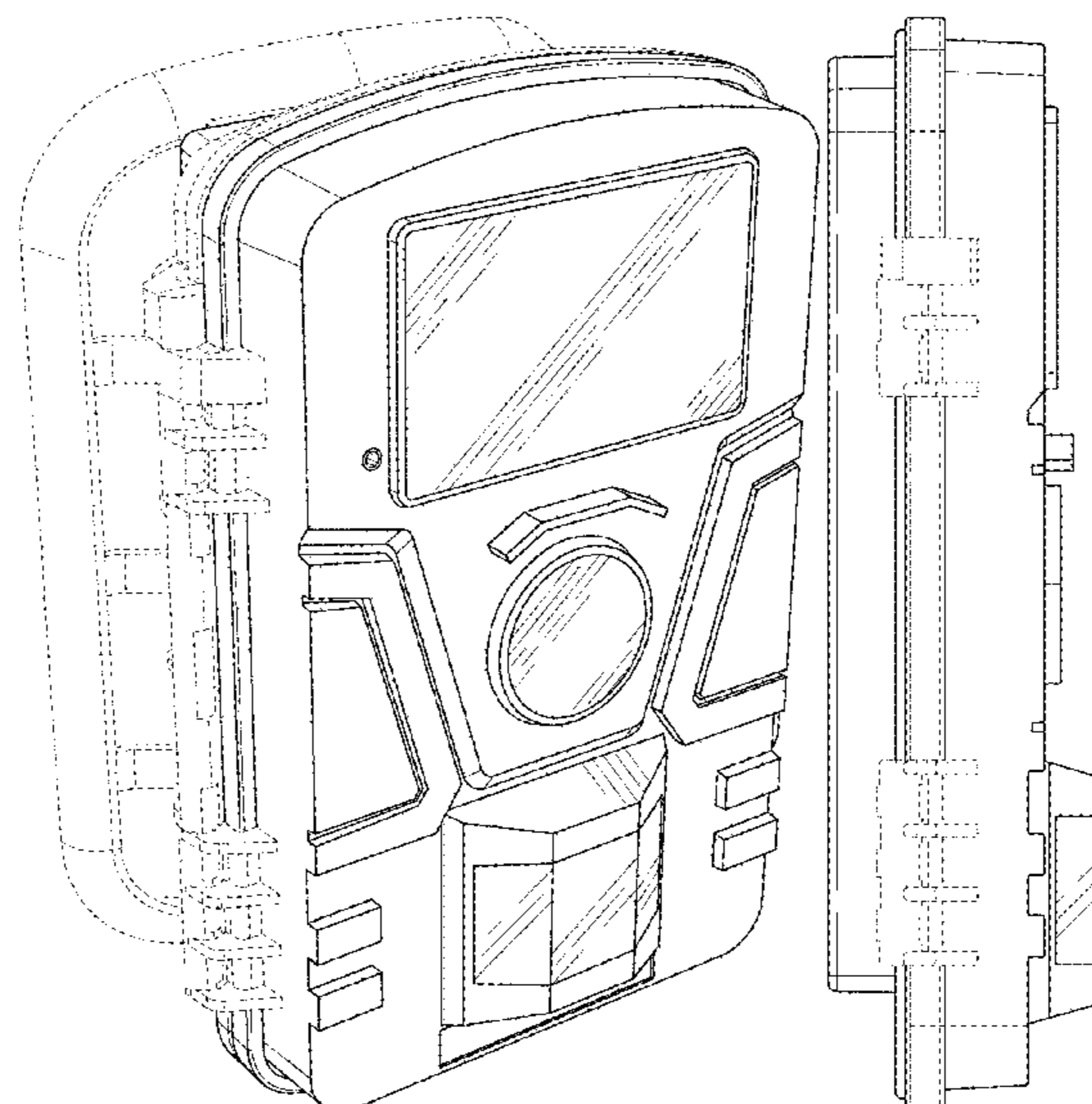
FIG. 1 is a perspective view of a trail camera showing my new design;  
FIG. 2 is a front elevation view of the trail camera, shown separately from the rear basket to show aspects of the design that are not visible when combined;  
FIG. 3 is a rear view thereof;  
FIG. 4 is a top view thereof;  
FIG. 5 is a bottom view thereof;  
FIG. 6 is a side view thereof; and,  
FIG. 7 is the opposite side view thereof.  
The broken line showing of a rear basket in FIG. 1 is for the purpose of illustrating environmental subject matter that forms no part of the claimed design. All other broken lines shown in the drawings depict portions of the trail camera that form no part of the claimed design.

(56) **References Cited**

**U.S. PATENT DOCUMENTS**

D183,540 S \* 9/1958 Palma, Jr. .... D16/209  
D193,590 S \* 9/1962 Dreyfuss et al. .... D16/219  
D297,136 S \* 8/1988 Collins ..... D10/75  
D583,688 S \* 12/2008 Guercio ..... D10/104.1  
D616,009 S \* 5/2010 Schnell ..... D16/218  
D616,479 S \* 5/2010 Ganahl, Jr. .... D16/204  
D628,224 S \* 11/2010 Barley ..... D16/203  
D628,614 S \* 12/2010 Barley ..... D16/203  
D630,236 S \* 1/2011 Lian ..... D16/203  
D638,047 S \* 5/2011 Lian ..... D16/203  
D691,647 S \* 10/2013 Ye ..... D16/203

**1 Claim, 7 Drawing Sheets**



(56)

**References Cited**

U.S. PATENT DOCUMENTS

D838,306 S \* 1/2019 Yu ..... D16/218  
D838,763 S \* 1/2019 Yu ..... D16/218  
2008/0151055 A1\* 6/2008 Elsemore ..... A01M 31/002  
348/155  
2010/0208068 A1\* 8/2010 Elsemore ..... A01M 31/002  
348/143  
2011/0242315 A1\* 10/2011 Barley ..... G03B 17/02  
348/143  
2013/0188047 A1\* 7/2013 Slevin ..... H04N 7/183  
348/143  
2014/0098256 A1\* 4/2014 Cuddeback ..... G08B 13/19652  
348/211.2

FOREIGN PATENT DOCUMENTS

CN 302781420 \* 4/2014  
CN 303532614 \* 12/2015  
EM 003861046-0002 \* 5/2017

\* cited by examiner

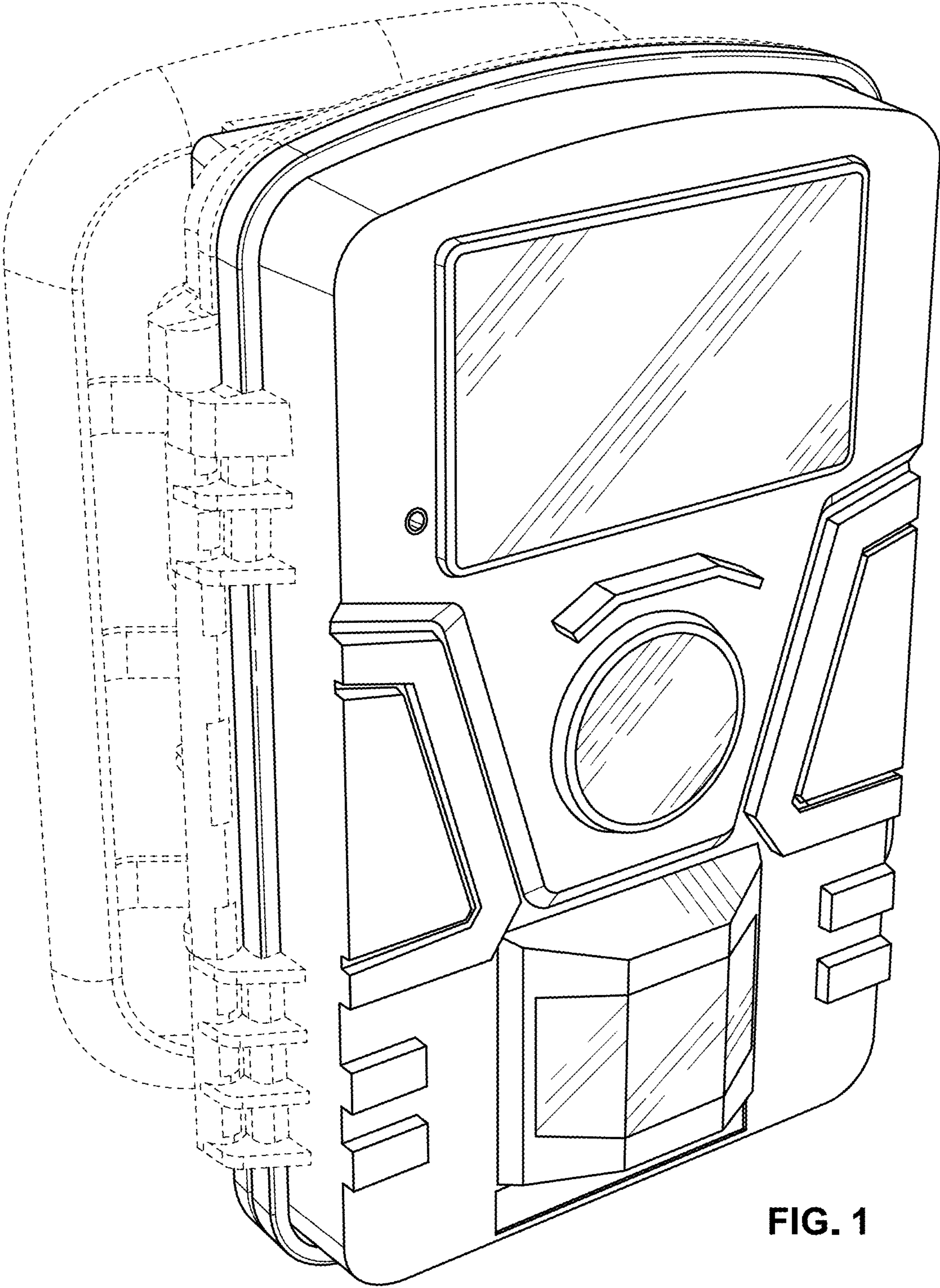


FIG. 1



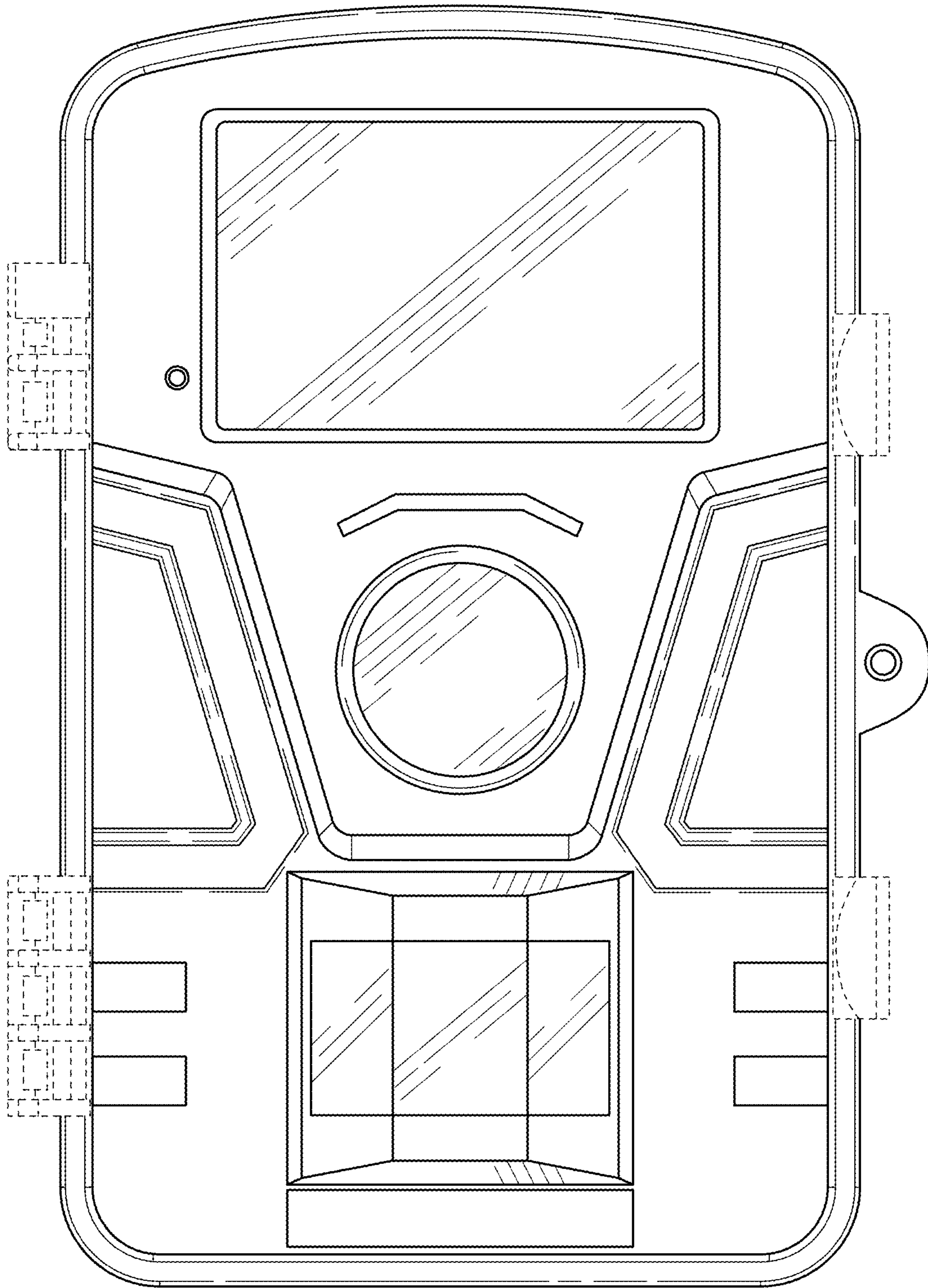


FIG. 2

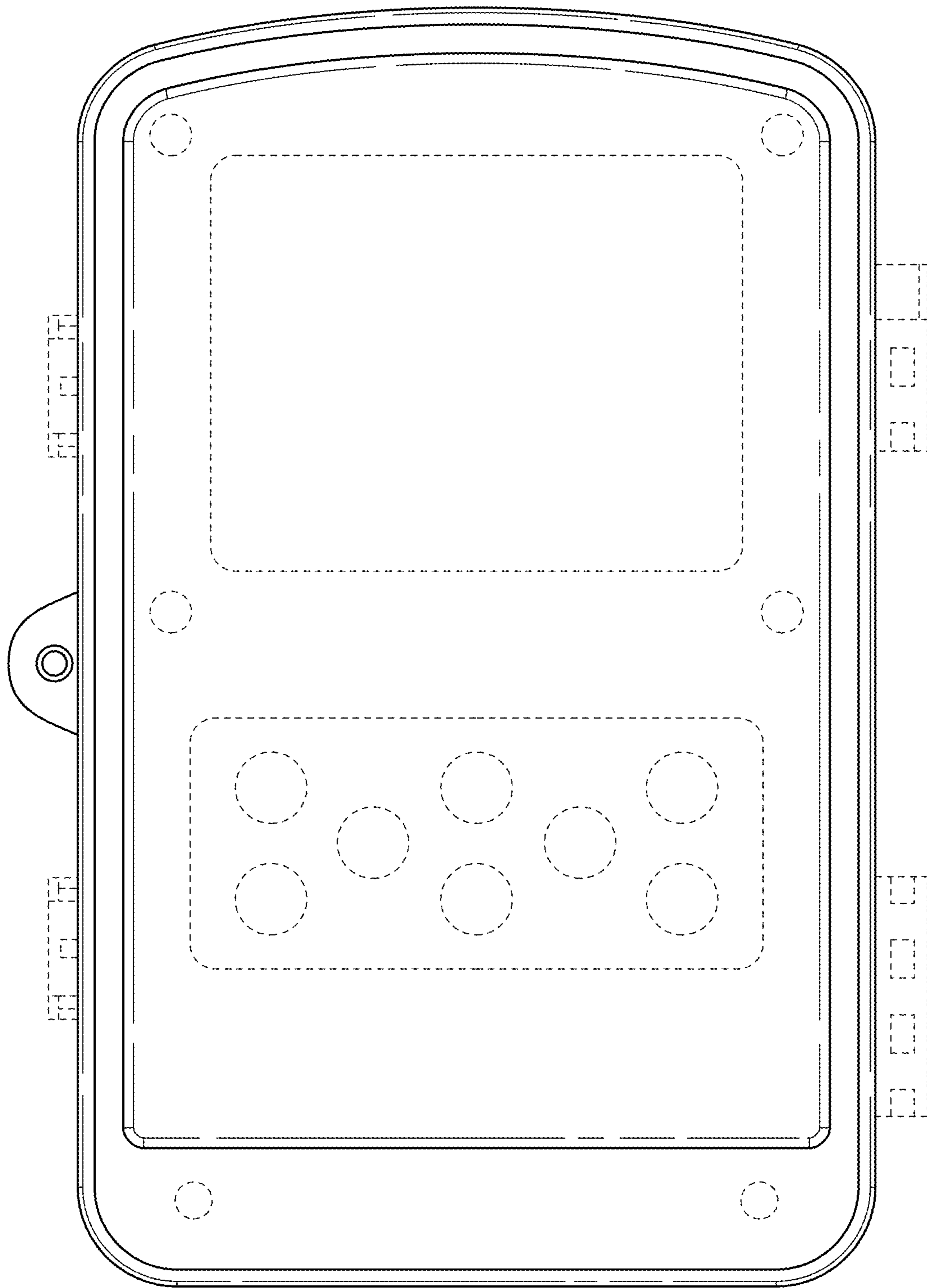


FIG. 3

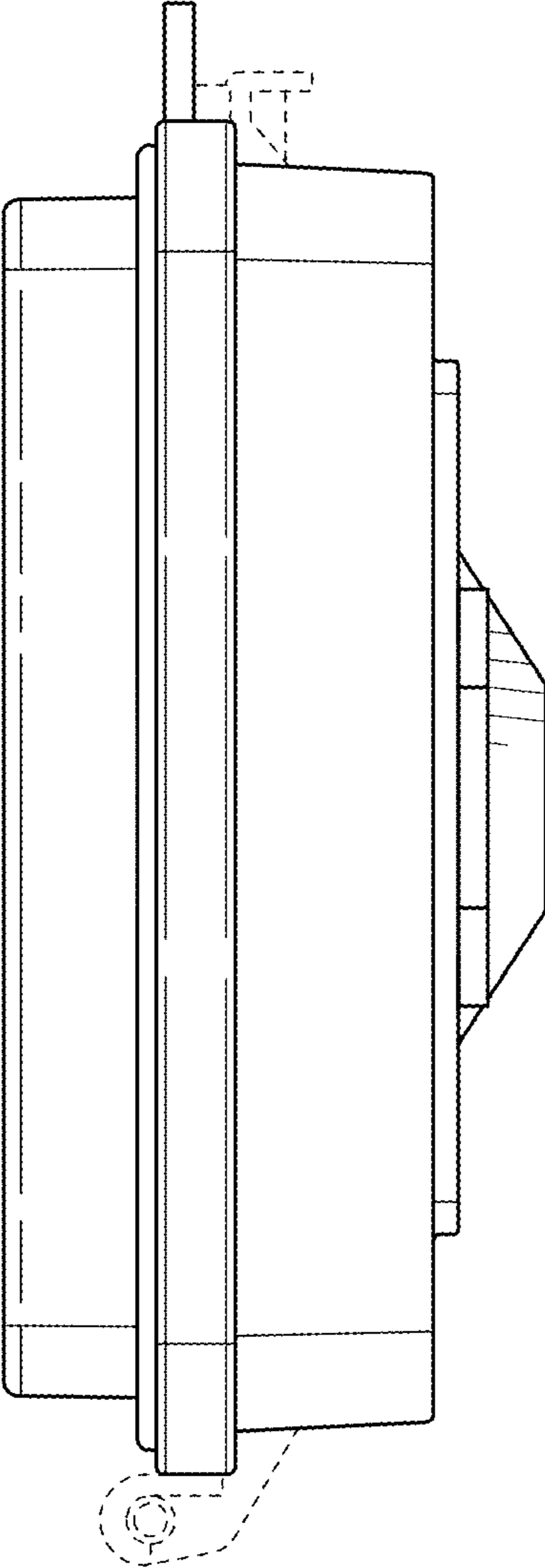


FIG. 4

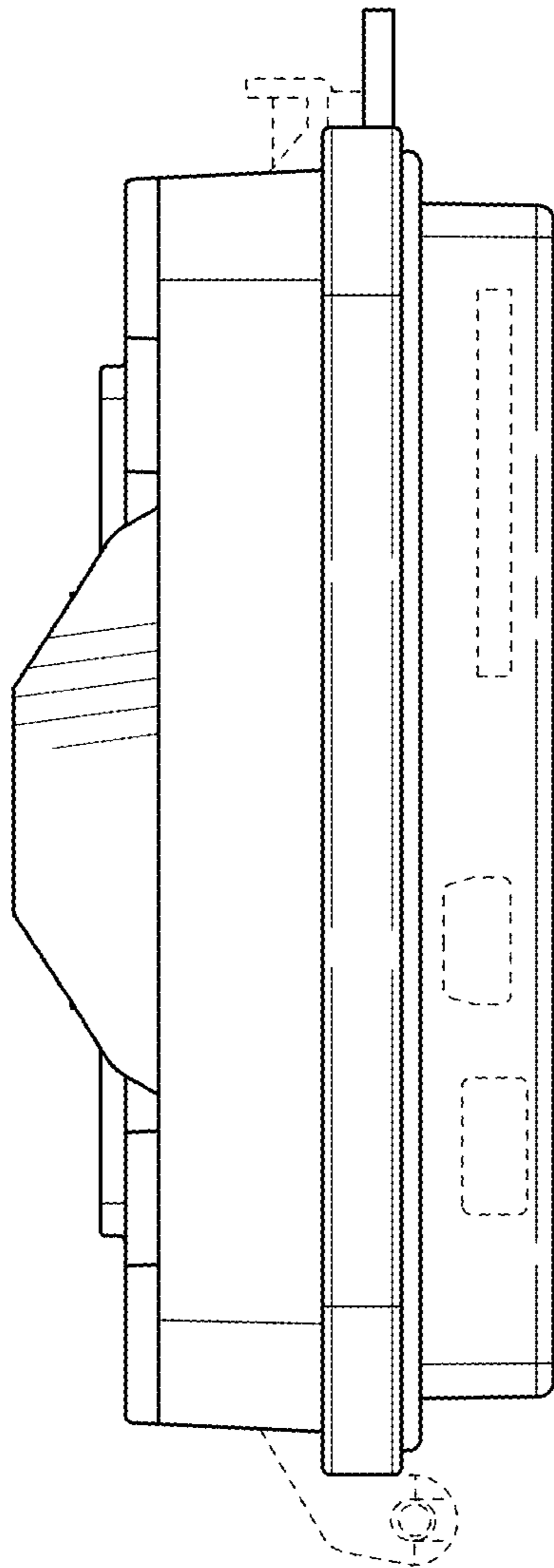


FIG. 5

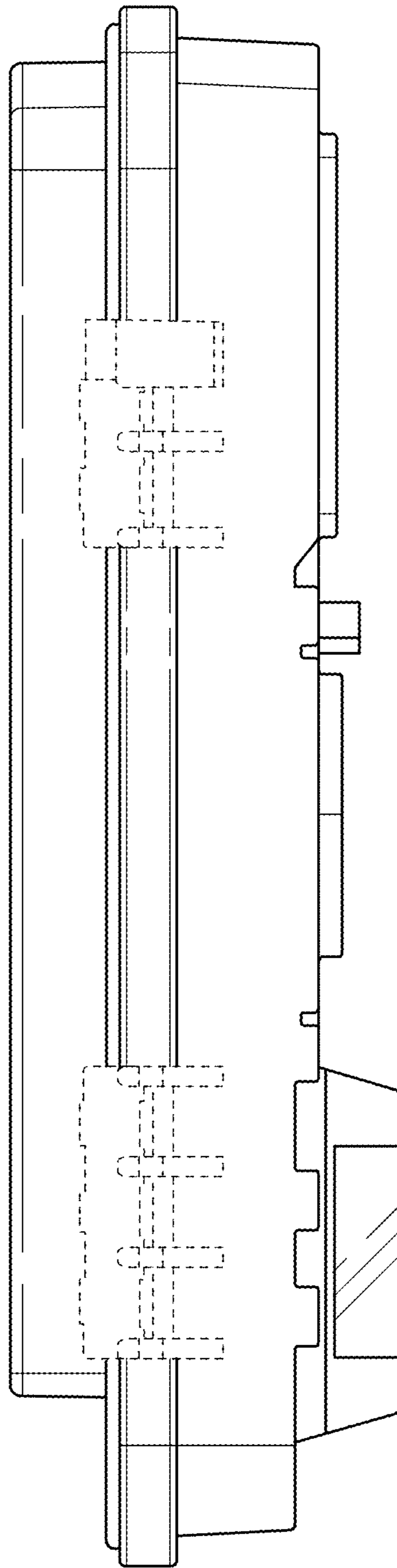


FIG. 6



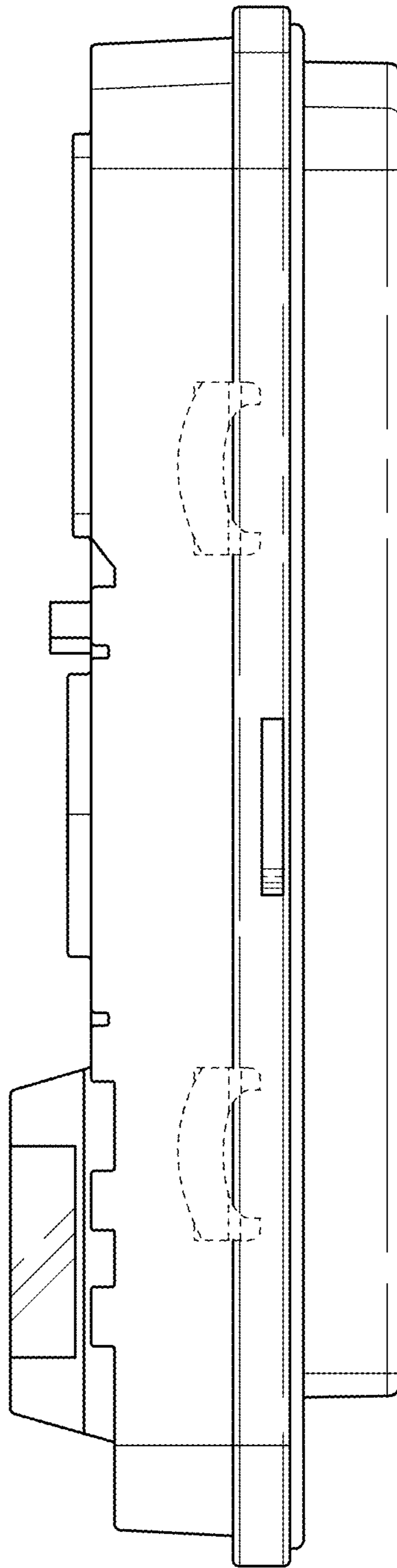


FIG. 7