



US00D875805S

(12) **United States Design Patent** (10) **Patent No.:** **US D875,805 S**
Igarashi et al. (45) **Date of Patent:** **** Feb. 18, 2020**

(54) **DIGITAL VIDEO CAMERA**

(56) **References Cited**

(71) Applicant: **CANON KABUSHIKI KAISHA,**
Tokyo (JP)

U.S. PATENT DOCUMENTS

(72) Inventors: **Masaaki Igarashi,** Tokyo (JP); **Hiroaki Ohashi,** Tokyo (JP)

D377,941 S *	2/1997	Tanaka	D16/202
D584,753 S *	1/2009	Chung	D16/202
D675,240 S *	1/2013	Narita	D16/202
D689,110 S *	9/2013	Euihoon	D16/202
D696,328 S *	12/2013	Nishiwaki	D16/202
D696,333 S	12/2013	Takahashi et al.	
D698,381 S *	1/2014	Arimoto	D16/202
D744,022 S *	11/2015	Petty	D16/202
D752,125 S *	3/2016	Arimoto	D16/202
D754,230 S	4/2016	Mori et al.	
D809,583 S *	2/2018	Morishita	D16/202
D810,803 S *	2/2018	Suzuki	D16/202
D826,305 S *	8/2018	Ahman	D16/203

(**) Term: **15 Years**

(21) Appl. No.: **35/503,265**

(22) Filed: **Dec. 26, 2016**

(80) **Hague Agreement Data**

Int. Filing Date: **Dec. 26, 2016**

Int. Reg. No.: **DM/094916**

Int. Reg. Date: **Dec. 26, 2016**

Int. Reg. Pub. Date: **Jun. 30, 2017**

* cited by examiner

Primary Examiner — Holly E Thurman

(30) **Foreign Application Priority Data**

(57) **CLAIM**

Jun. 30, 2016	(JP)	2016-013978
Jun. 30, 2016	(JP)	2016-013979
Jun. 30, 2016	(JP)	2016-013980
Jun. 30, 2016	(JP)	2016-013981
Jun. 30, 2016	(JP)	2016-013982
Jun. 30, 2016	(JP)	2016-013983

The ornamental design for a digital video camera, as shown and described.

(51) **LOC (12) Cl.** **16-01**

(52) **U.S. Cl.**
USPC **D16/202**

DESCRIPTION

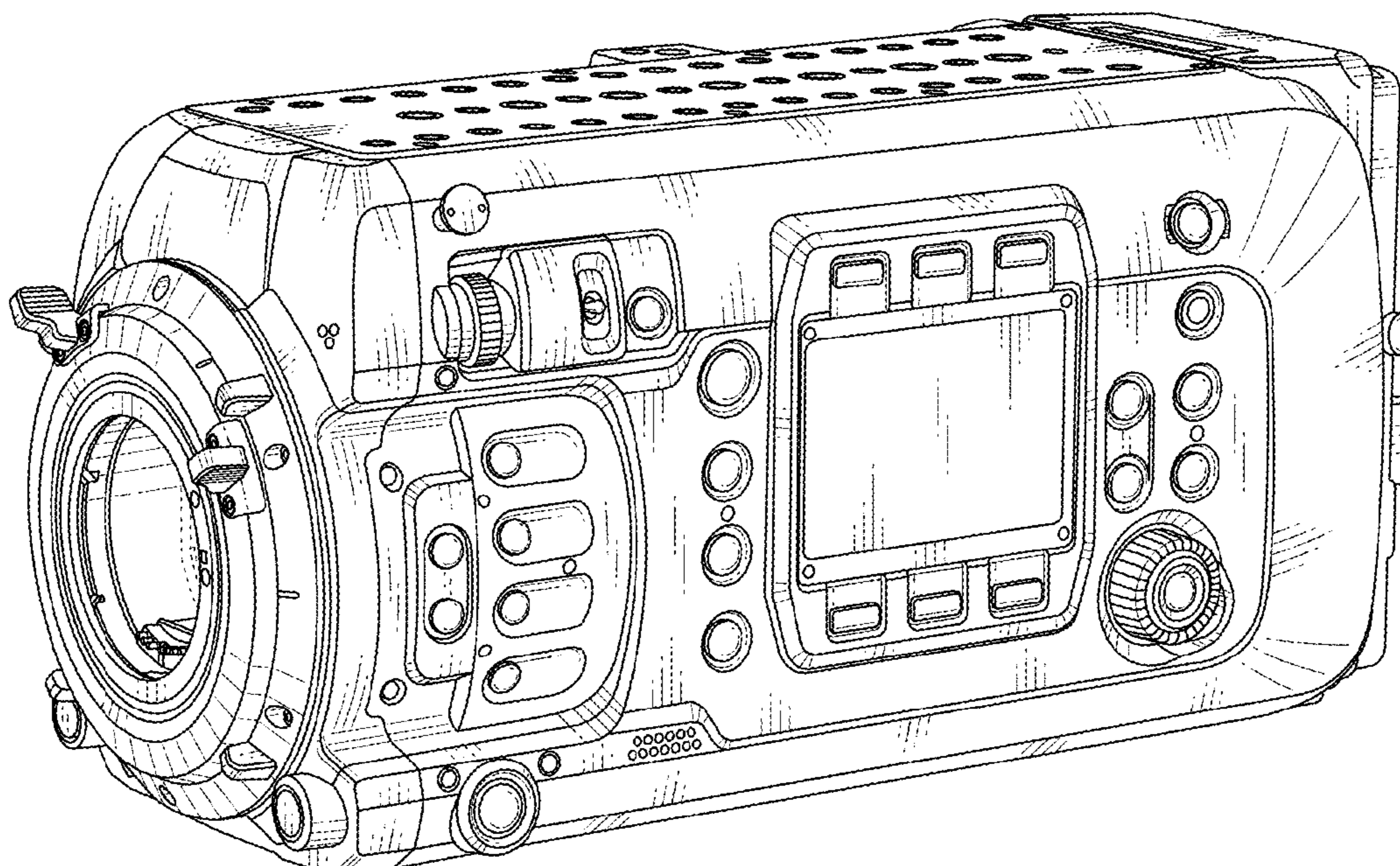
(58) **Field of Classification Search**
USPC D16/200, 202–206, 208, 218, 219, 242
CPC G03B 17/02; G03B 17/04; G03B 17/56;
G03B 17/14; G03B 19/04; H04N 5/2251;
H04N 5/2252; H04N 5/2253; H04N
5/2254

- 1. Digital video camera
- 1.1 : Front
- 1.2 : Back
- 1.3 : Top
- 1.4 : Bottom
- 1.5 : Left
- 1.6 : Right
- 1.7 : Perspective

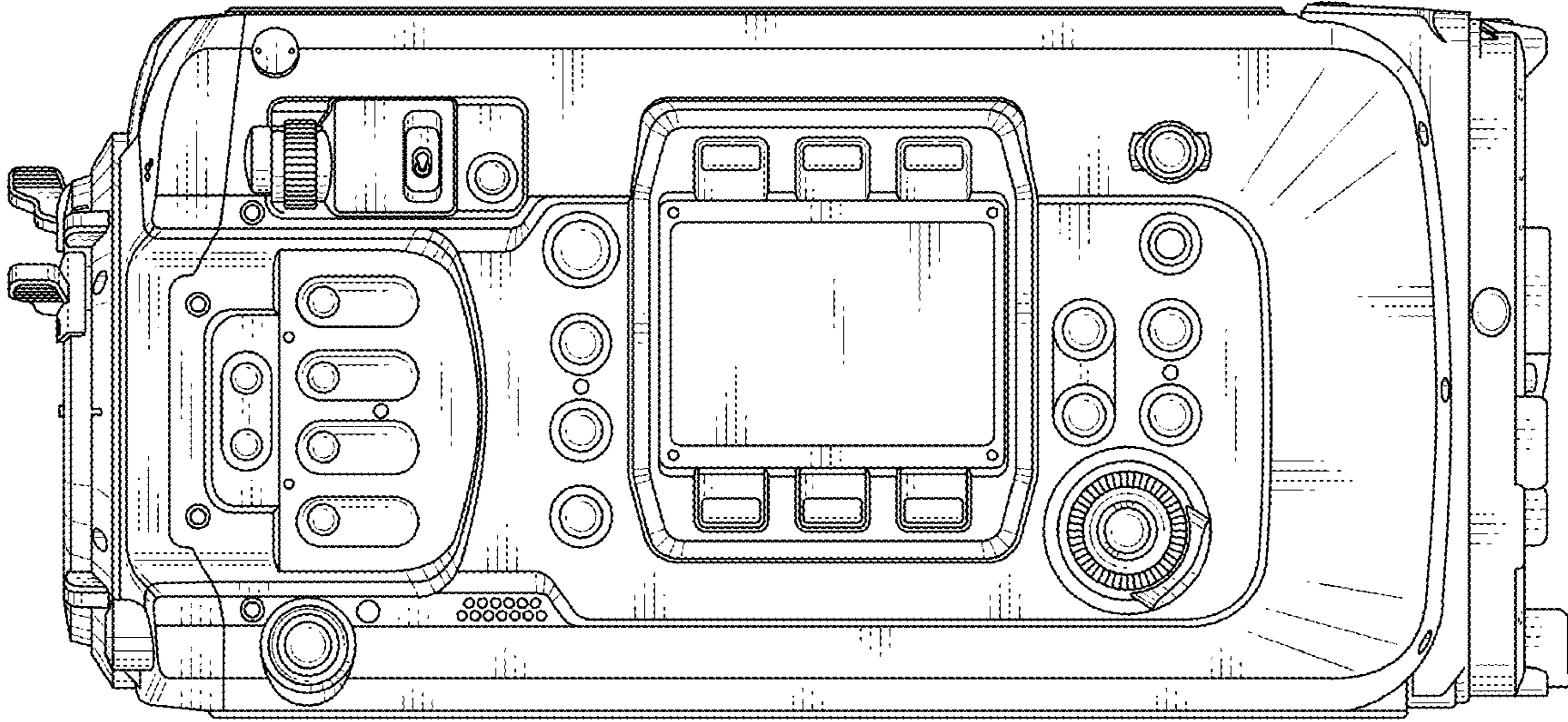
The broken lines represent portions of the digital video camera that form no part of the claimed design.

See application file for complete search history.

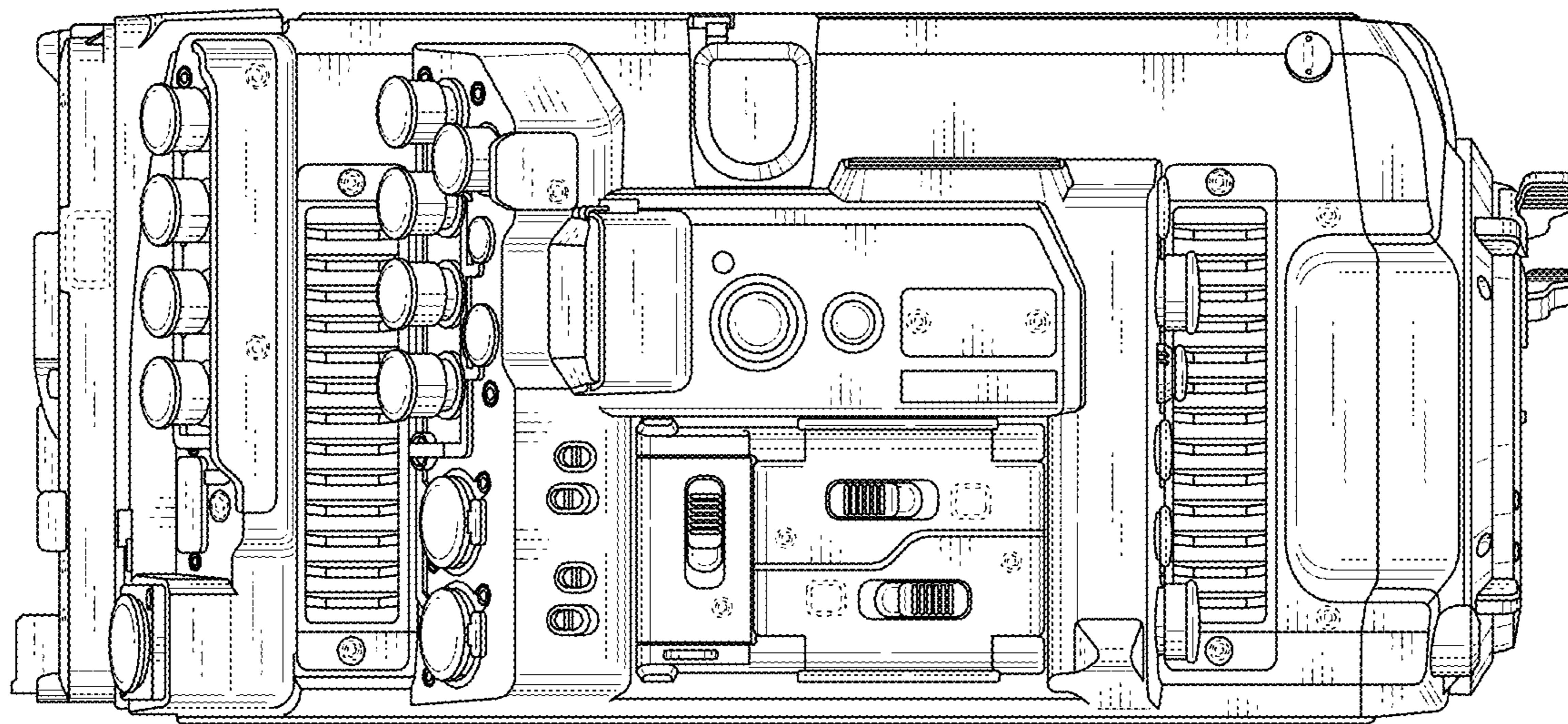
1 Claim, 4 Drawing Sheets



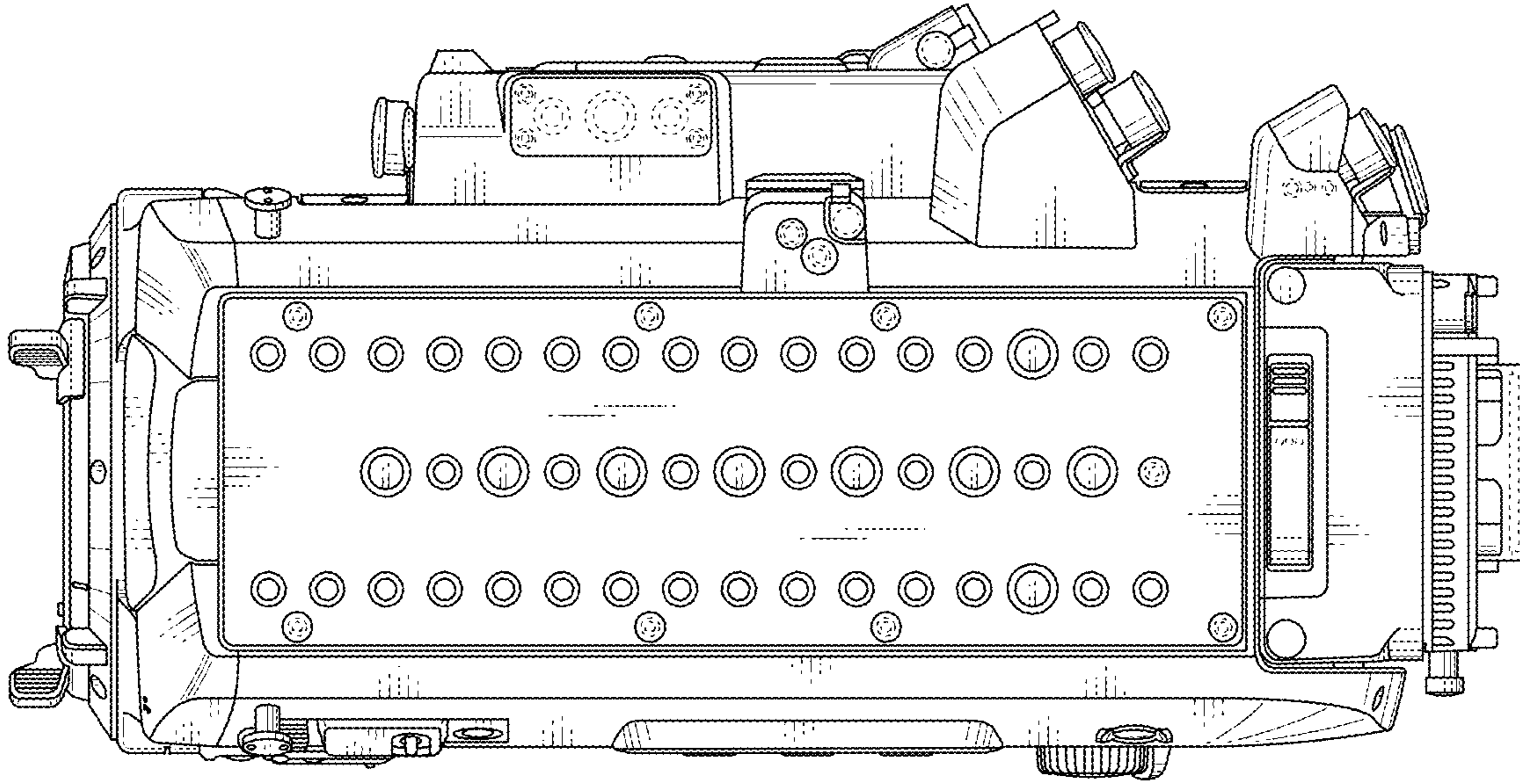
1.1



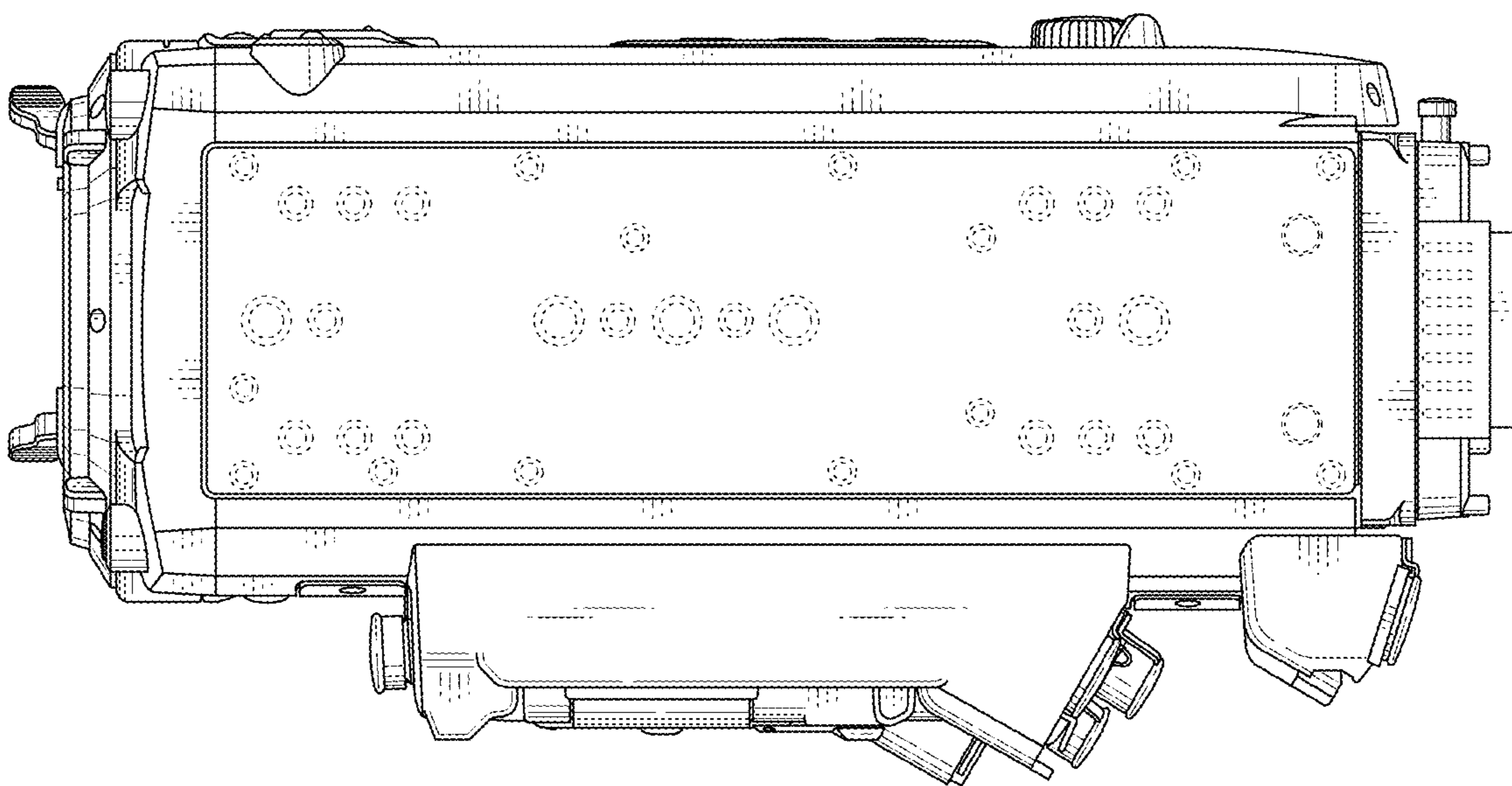
1.2



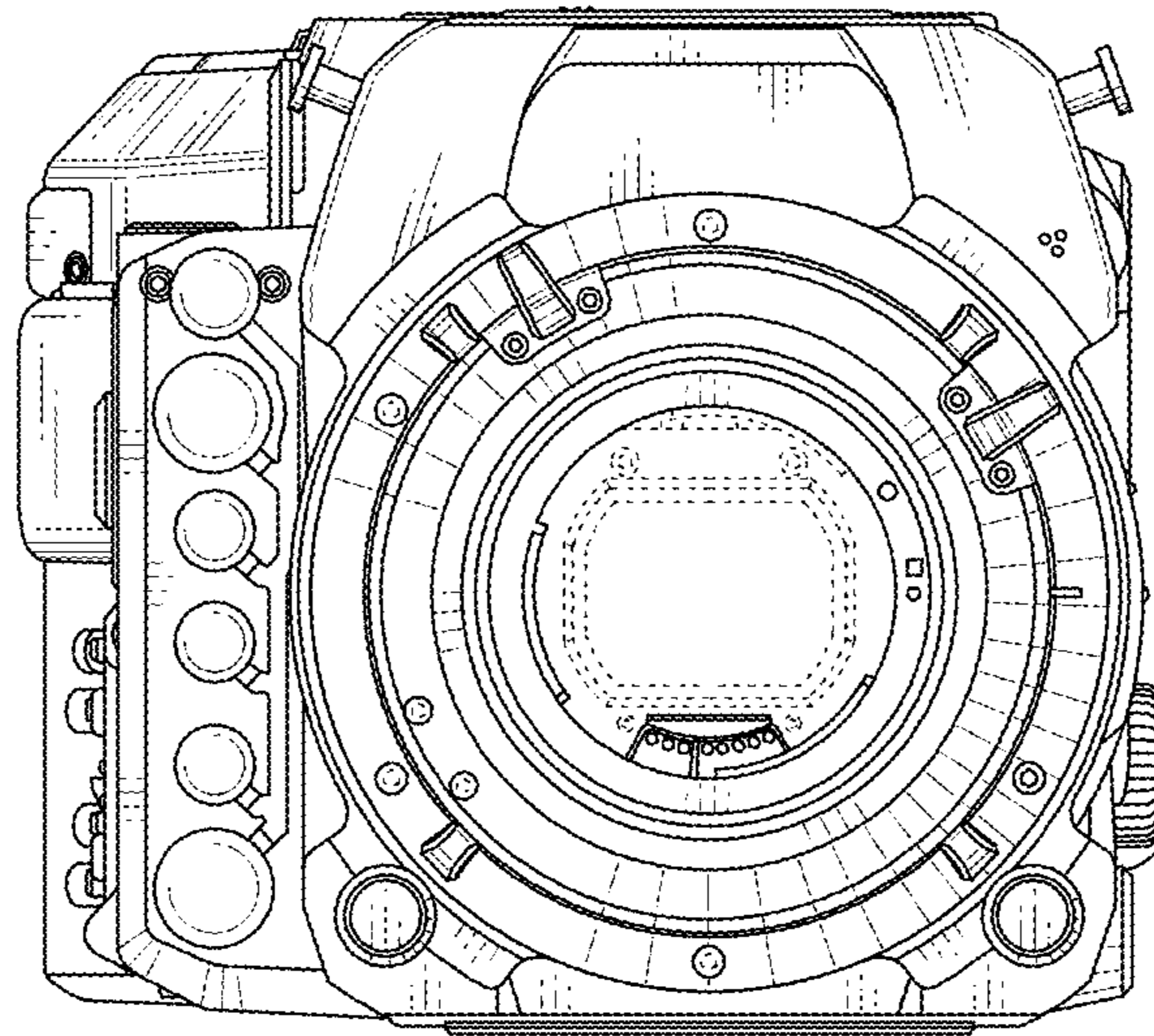
1.3



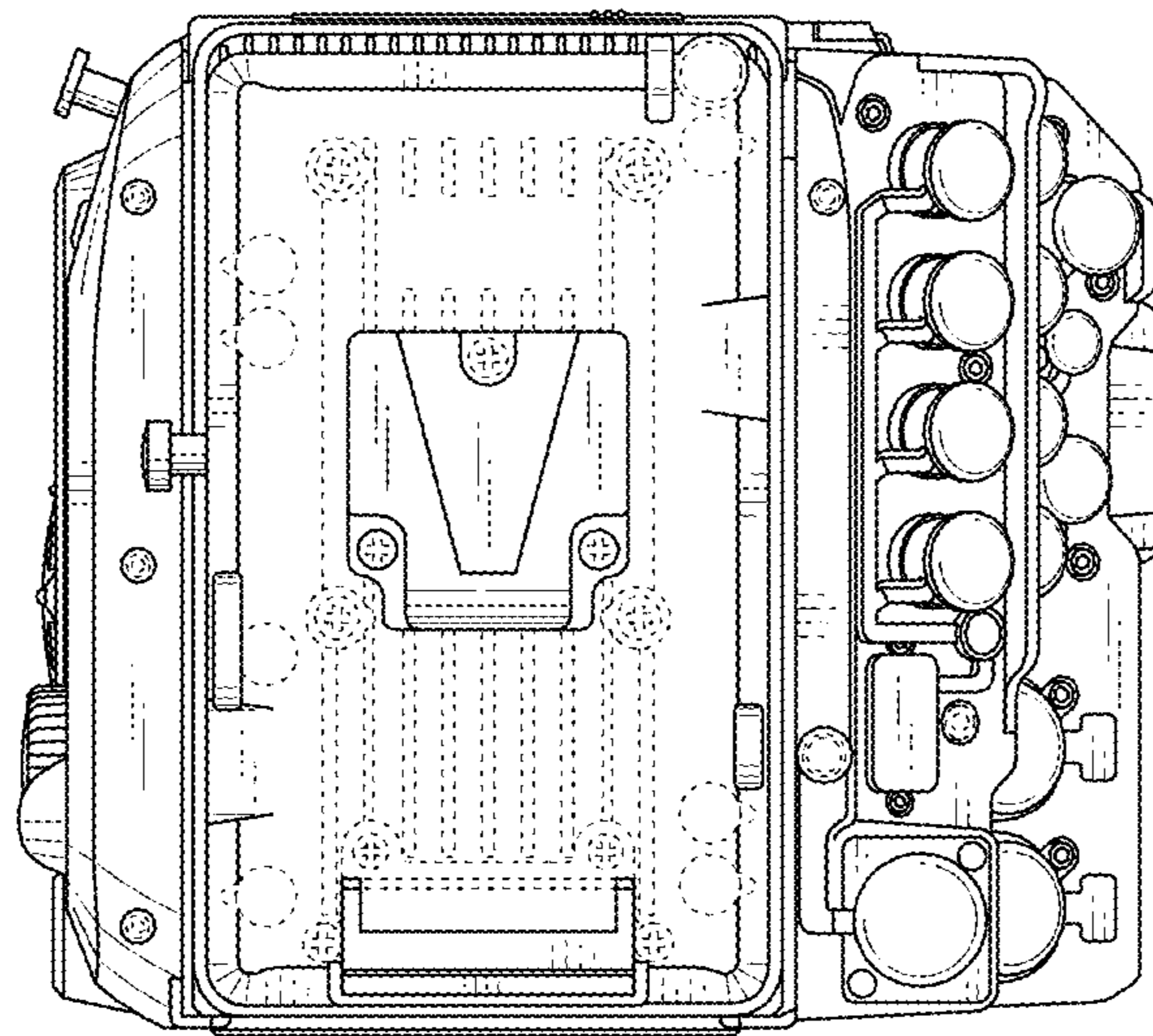
1.4



1.5



1.6



1.7

