

US00D875803S

(12) **United States Design Patent**  
**Yuan et al.**

(10) **Patent No.:** **US D875,803 S**  
(45) **Date of Patent:** **\*\* Feb. 18, 2020**

(54) **DASH CAMERA**

(71) Applicants: **Danfeng Yuan**, Guangdong (CN); **Xin Tao**, Guangdong (CN); **Jihai Deng**, Guangdong (CN)

(72) Inventors: **Danfeng Yuan**, Guangdong (CN); **Xin Tao**, Guangdong (CN); **Jihai Deng**, Guangdong (CN)

(73) Assignee: **Shenzhen Adashi high-tech Co., Ltd.**, Shenzhen, Guangdong (CN)

(\*\*) Term: **15 Years**

(21) Appl. No.: **29/628,999**

(22) Filed: **Dec. 11, 2017**

(51) **LOC (12) Cl.** ..... **16-01**

(52) **U.S. Cl.**  
USPC ..... **D16/202**

(58) **Field of Classification Search**  
USPC ..... D16/200–220, 131, 237, 242, 239, 250,  
D16/235, 130, 134, 136, 238;  
D14/138 C, 240, 248, 203.1, 203.3, 203.7,  
D14/218; D10/104.1, 50, 65, 74, 70,  
D10/118.2

CPC ... G02B 7/02; G02B 7/04; G02B 7/14; G02B  
3/14; G03B 17/00; G03B 17/02; G03B  
17/56; G03B 17/04; G03B 17/14; G03B  
15/03; G03B 9/08; H04N 5/2251; H04N  
5/2252; H04N 5/2253; H04N 5/2254;  
H04N 7/00; H04N 2101/00; F16M 13/00  
See application file for complete search history.

(56) **References Cited**

**U.S. PATENT DOCUMENTS**

D392,659 S \* 3/1998 Takano ..... D16/200  
D416,035 S \* 11/1999 Hamamura ..... D16/212  
D490,834 S \* 6/2004 Dow ..... D16/202

D501,862 S \* 2/2005 Hong ..... D16/202  
D541,682 S \* 5/2007 Uno ..... D10/65  
D544,381 S \* 6/2007 Lammers-Meis ..... D10/65  
D546,854 S \* 7/2007 Hayashi ..... D16/202  
D566,589 S \* 4/2008 Gonzalez ..... D10/65  
D589,073 S \* 3/2009 Hibi ..... D16/218  
D638,456 S \* 5/2011 Sakai ..... D16/202  
D666,657 S \* 9/2012 Furlan ..... D16/202  
D677,299 S \* 3/2013 Sheppard ..... D16/202  
D682,333 S \* 5/2013 Kim ..... D16/202  
D689,109 S \* 9/2013 Kim ..... D16/202  
D694,797 S \* 12/2013 Parker ..... D16/202  
D696,327 S \* 12/2013 Jang ..... D16/202  
D697,959 S \* 1/2014 Imai ..... D16/202  
D728,503 S \* 5/2015 Kim ..... D14/126

(Continued)

**FOREIGN PATENT DOCUMENTS**

CN 303416076 \* 5/2015  
CN 303493768 \* 12/2015

(Continued)

*Primary Examiner* — Barbara Fox

*Assistant Examiner* — Mary Claire Ramirez

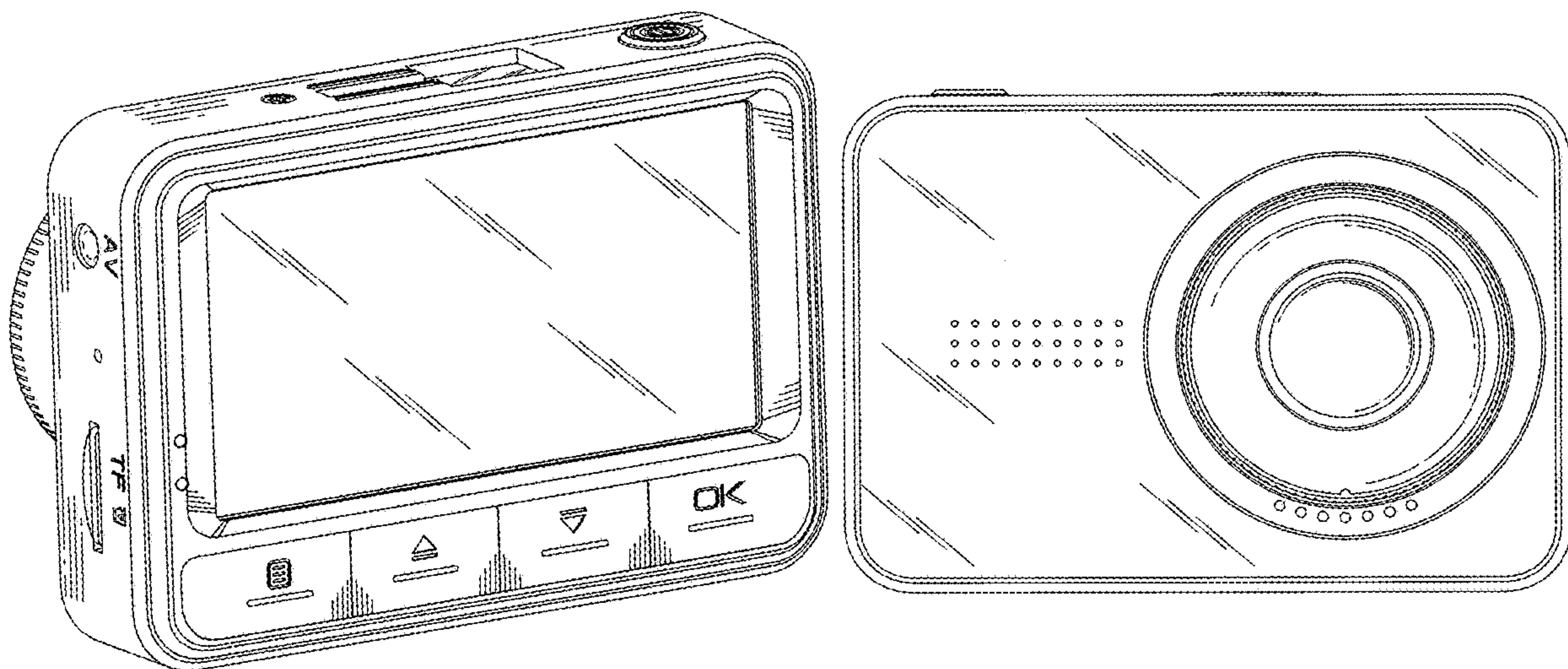
(57) **CLAIM**

The ornamental design for a dash camera, as shown and described.

**DESCRIPTION**

FIG. 1 is a perspective view of a dash camera showing our new design;  
FIG. 2 is a front elevational view thereof;  
FIG. 3 is a rear elevational view thereof;  
FIG. 4 is a left side elevational view thereof;  
FIG. 5 is a right side elevational view thereof;  
FIG. 6 is a top plan view thereof; and,  
FIG. 7 is a bottom plan view thereof.  
The broken lines shown in the drawings depict portions of the dash camera that form no part of the claimed design.

**1 Claim, 7 Drawing Sheets**



(56)

**References Cited**

U.S. PATENT DOCUMENTS

D742,952 S \* 11/2015 Nakajima ..... D16/202  
D744,568 S \* 12/2015 Petty ..... D16/202  
D766,351 S \* 9/2016 Li ..... D16/202  
D772,966 S \* 11/2016 Song ..... D16/200  
D796,565 S \* 9/2017 Lagerstedt ..... D16/202  
D838,303 S \* 1/2019 Brunner ..... D16/202  
D850,513 S \* 6/2019 Gan ..... D16/218  
D861,764 S \* 10/2019 Zhao ..... D16/218  
2006/0061877 A1\* 3/2006 Yasui ..... G02B 7/02  
359/699  
2007/0189753 A1\* 8/2007 Koguchi ..... G03B 15/03  
396/166  
2009/0185071 A1\* 7/2009 Suzuki ..... G03B 17/02  
348/375  
2011/0194009 A1\* 8/2011 Park ..... H04N 5/2252  
348/333.01

FOREIGN PATENT DOCUMENTS

CN 303702388 \* 6/2016  
CN 304006145 \* 1/2017  
CN 304333397 \* 5/2017

\* cited by examiner

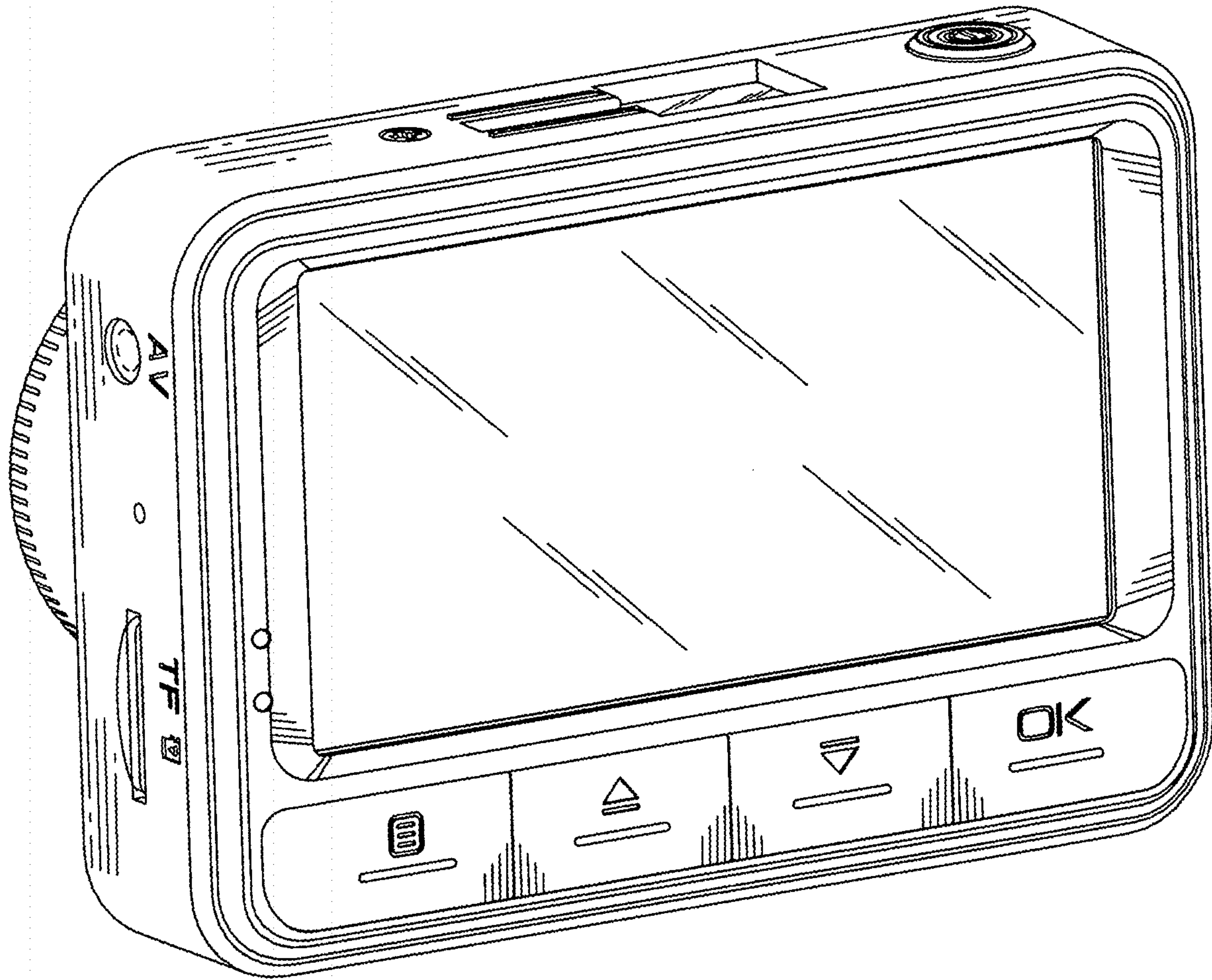


FIG.1



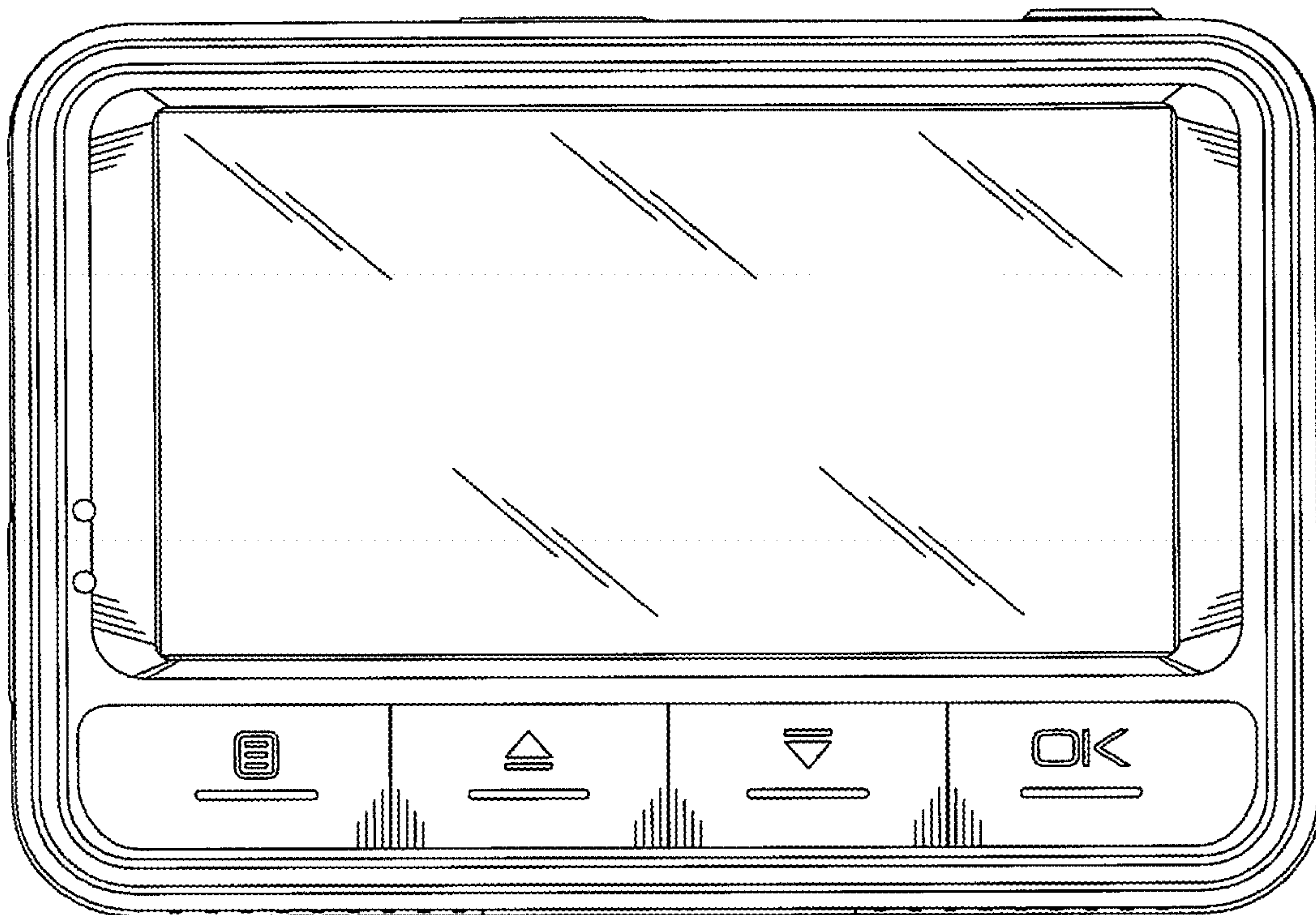


FIG.2

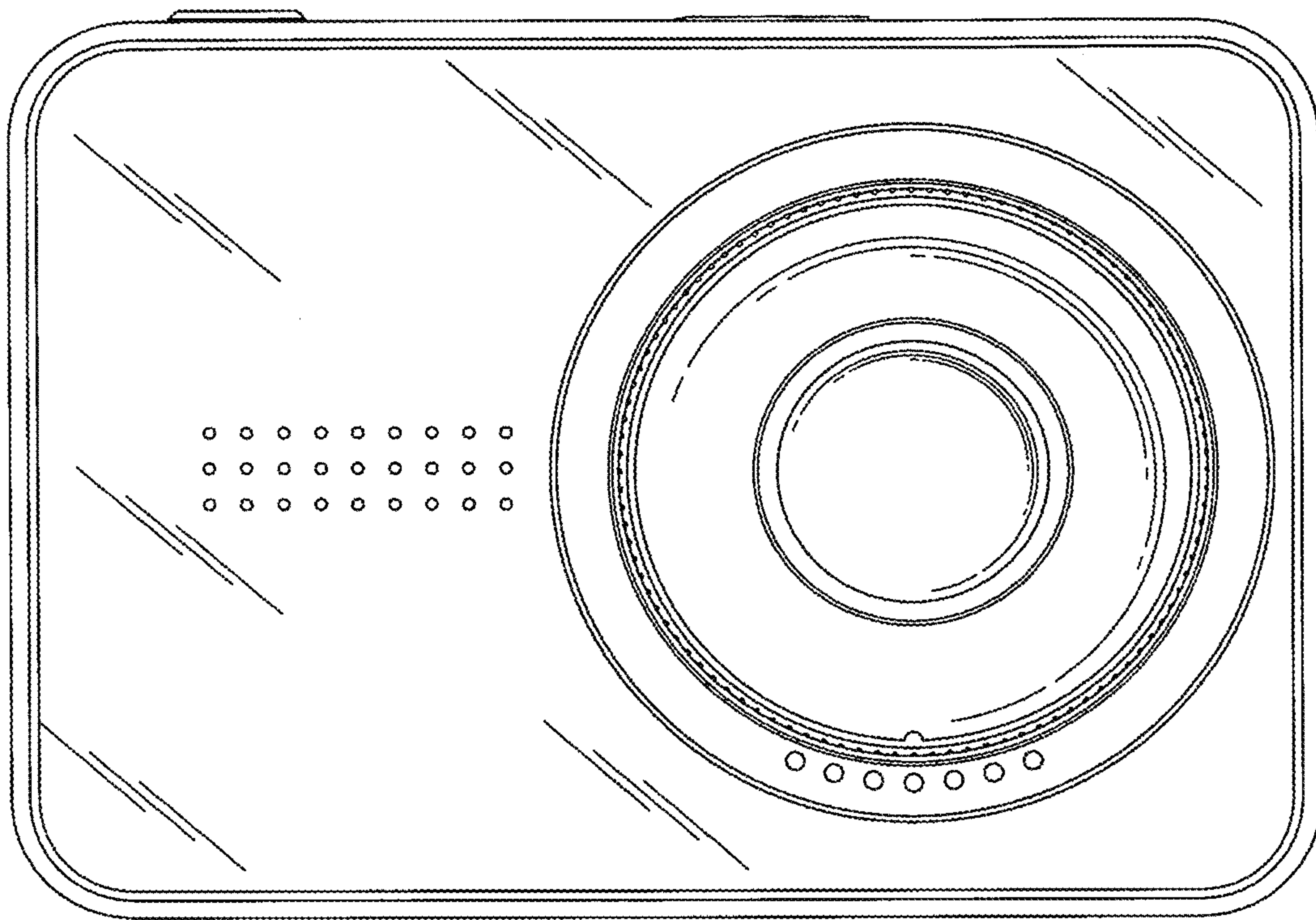


FIG.3

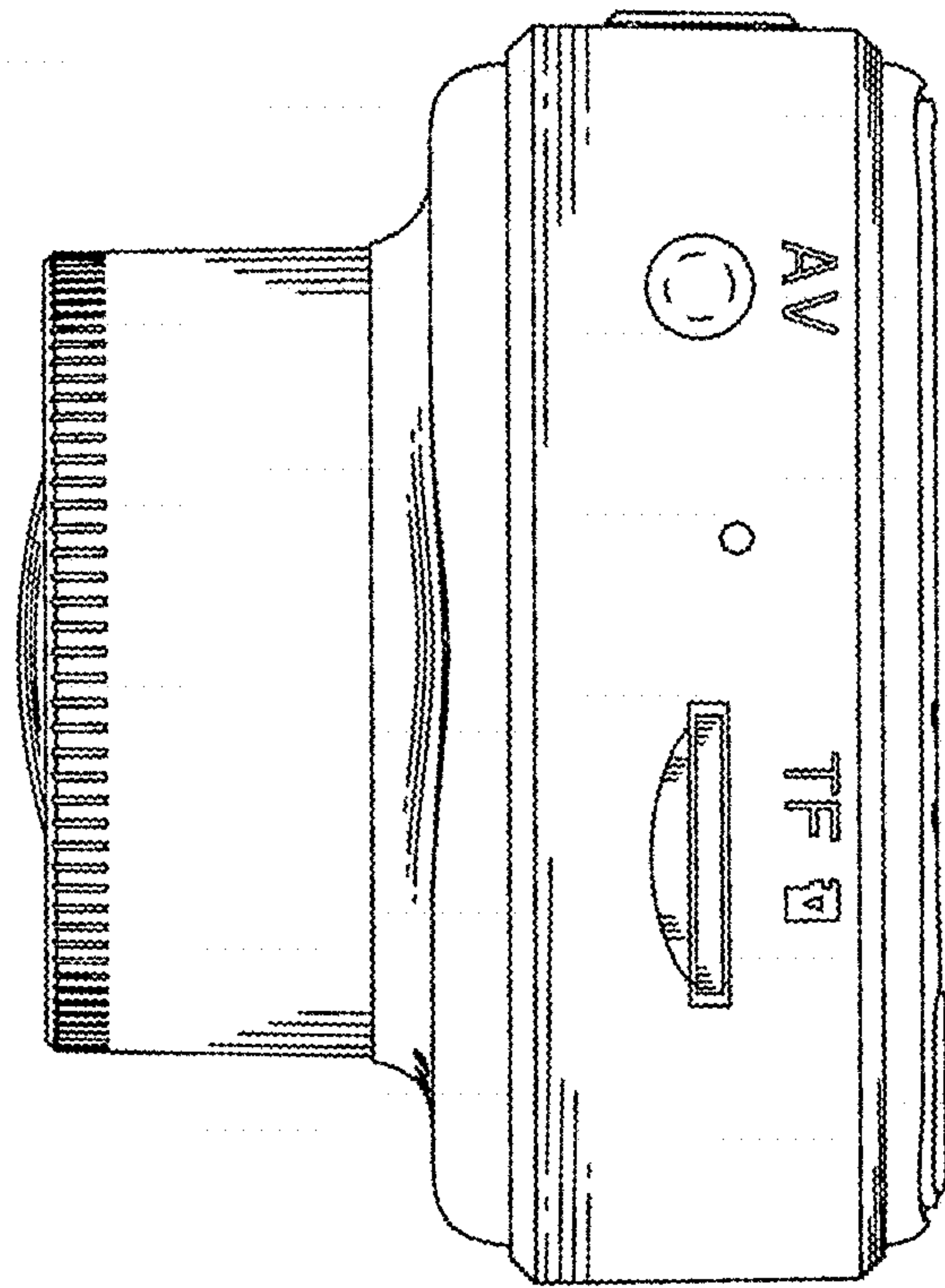


FIG.4

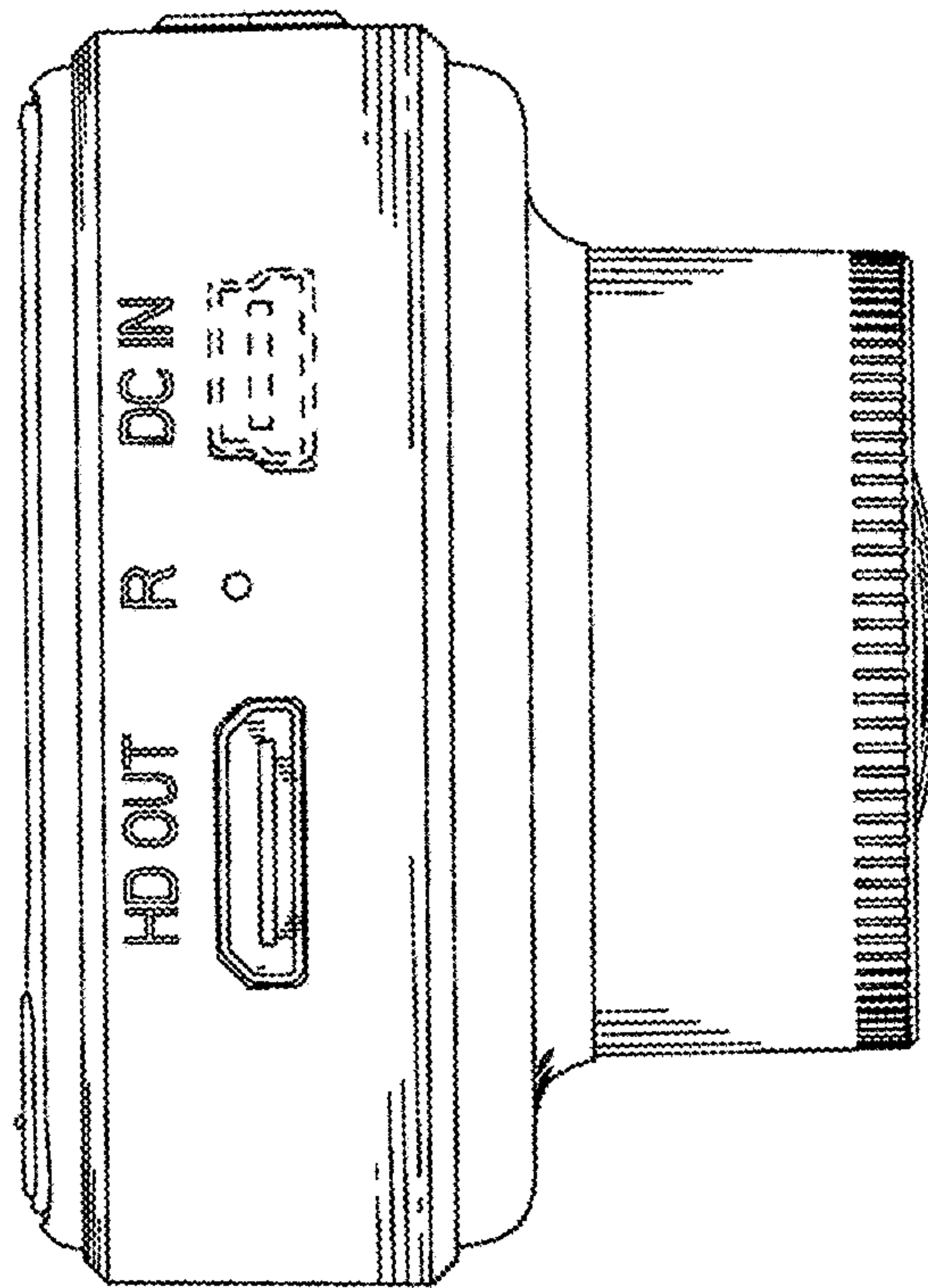


FIG.5

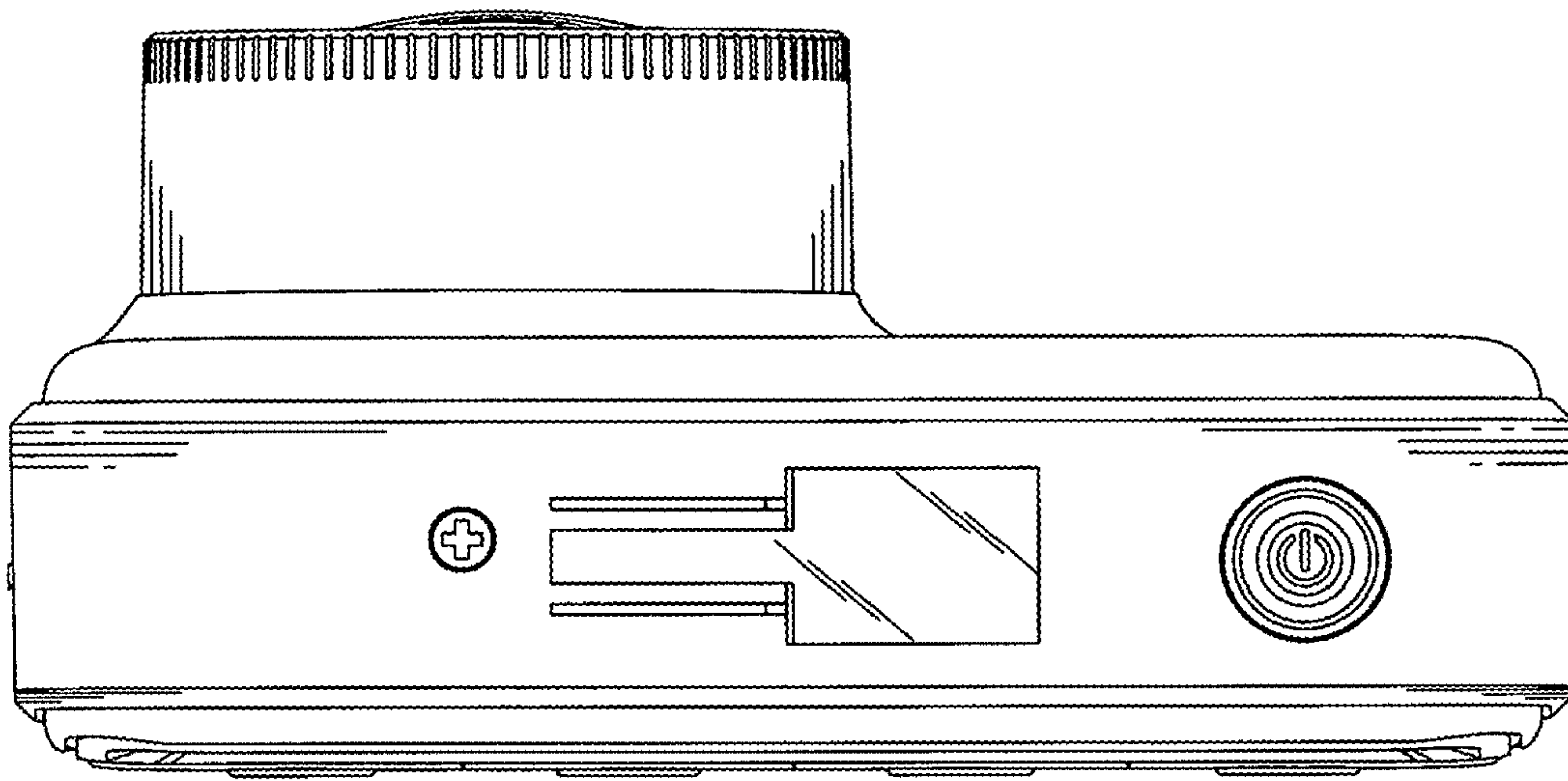


FIG.6



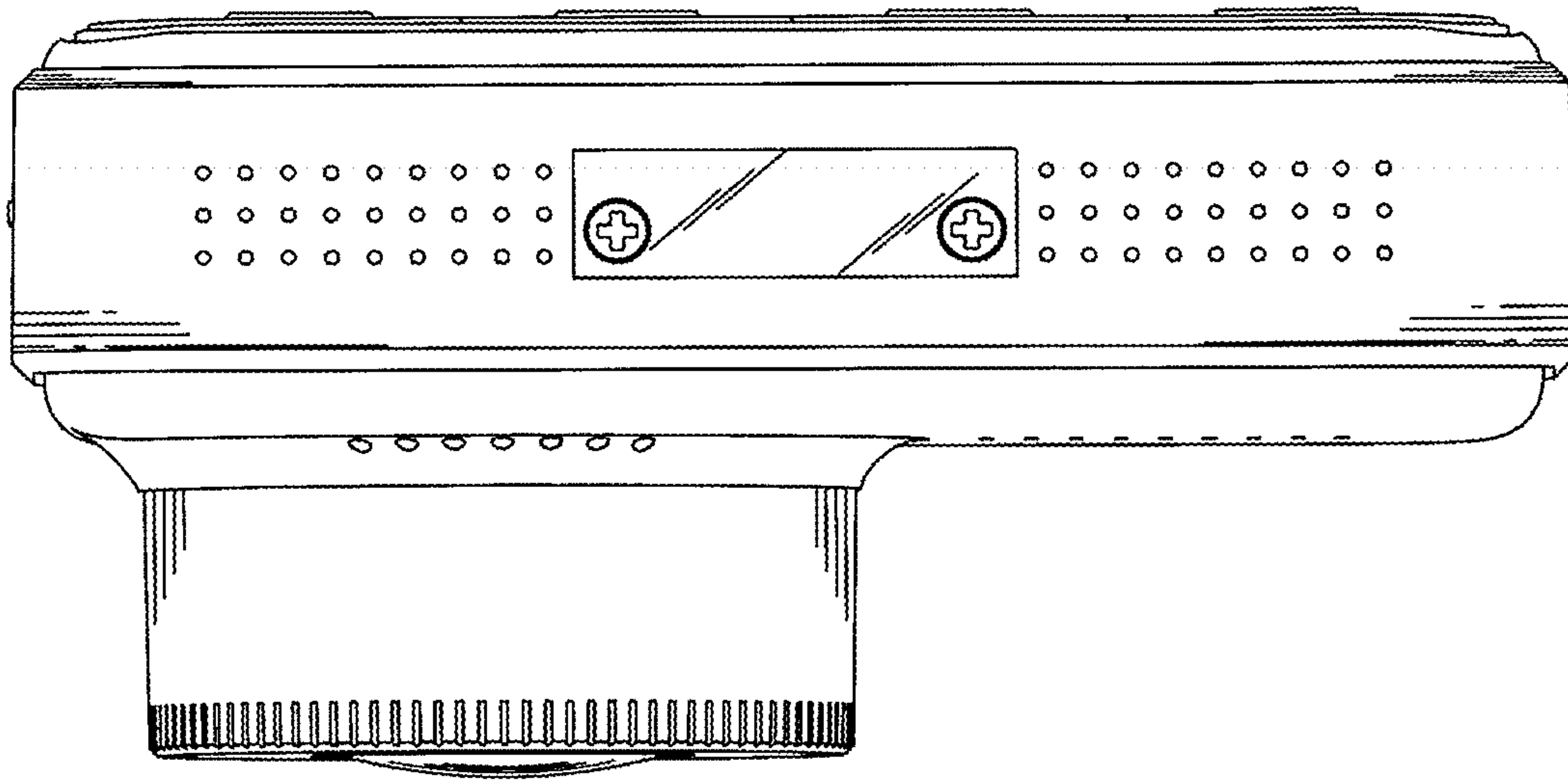


FIG. 7