



US00D875798S

(12) **United States Design Patent** (10) **Patent No.:** **US D875,798 S**
Su (45) **Date of Patent:** **** Feb. 18, 2020**

(54) **CUTTING TOOL**
(71) Applicant: **Hong Ann Tool Industries Co., Ltd.,**
Taichung (TW)
(72) Inventor: **Cheng-Wei Su,** Taichung (TW)
(73) Assignee: **Hong Ann Tool Industries Co., Ltd.,**
Taichung (TW)
(**) Term: **15 Years**
(21) Appl. No.: **29/650,491**
(22) Filed: **Jun. 7, 2018**
(51) **LOC (12) Cl.** **15-09**
(52) **U.S. Cl.**
USPC **D15/139**
(58) **Field of Classification Search**
USPC D8/20, 70, 71; D15/130, 138, 139, 140
CPC B23B 5/167; B23G 9/003; B23G 2240/08;
Y10T 408/893; Y10T 408/899
See application file for complete search history.

D639,829 S * 6/2011 Saunders D15/139
D768,742 S * 10/2016 Charbonneau D15/139
9,821,393 B2 * 11/2017 Su B23G 9/003
10,016,812 B2 * 7/2018 Ferguson B23B 5/167
10,293,410 B2 * 5/2019 Yu B23B 5/167
2002/0146293 A1 * 10/2002 Nelson B23C 5/202
407/114
2008/0317561 A1 * 12/2008 Kobatake B23B 31/005
409/232
2016/0082517 A1 * 3/2016 Ferguson B23B 5/167
408/1 BD
2017/0291240 A1 * 10/2017 Su B23G 9/003
2018/0147632 A1 * 5/2018 Yu B23B 5/167
2019/0143418 A1 * 5/2019 Su B23G 9/001
408/229
2019/0176236 A1 * 6/2019 Su B23B 5/167

* cited by examiner

Primary Examiner — Patricia A Palasik
(74) *Attorney, Agent, or Firm* — Alan D. Kamrath; Mayer & Williams PC

(57) **CLAIM**

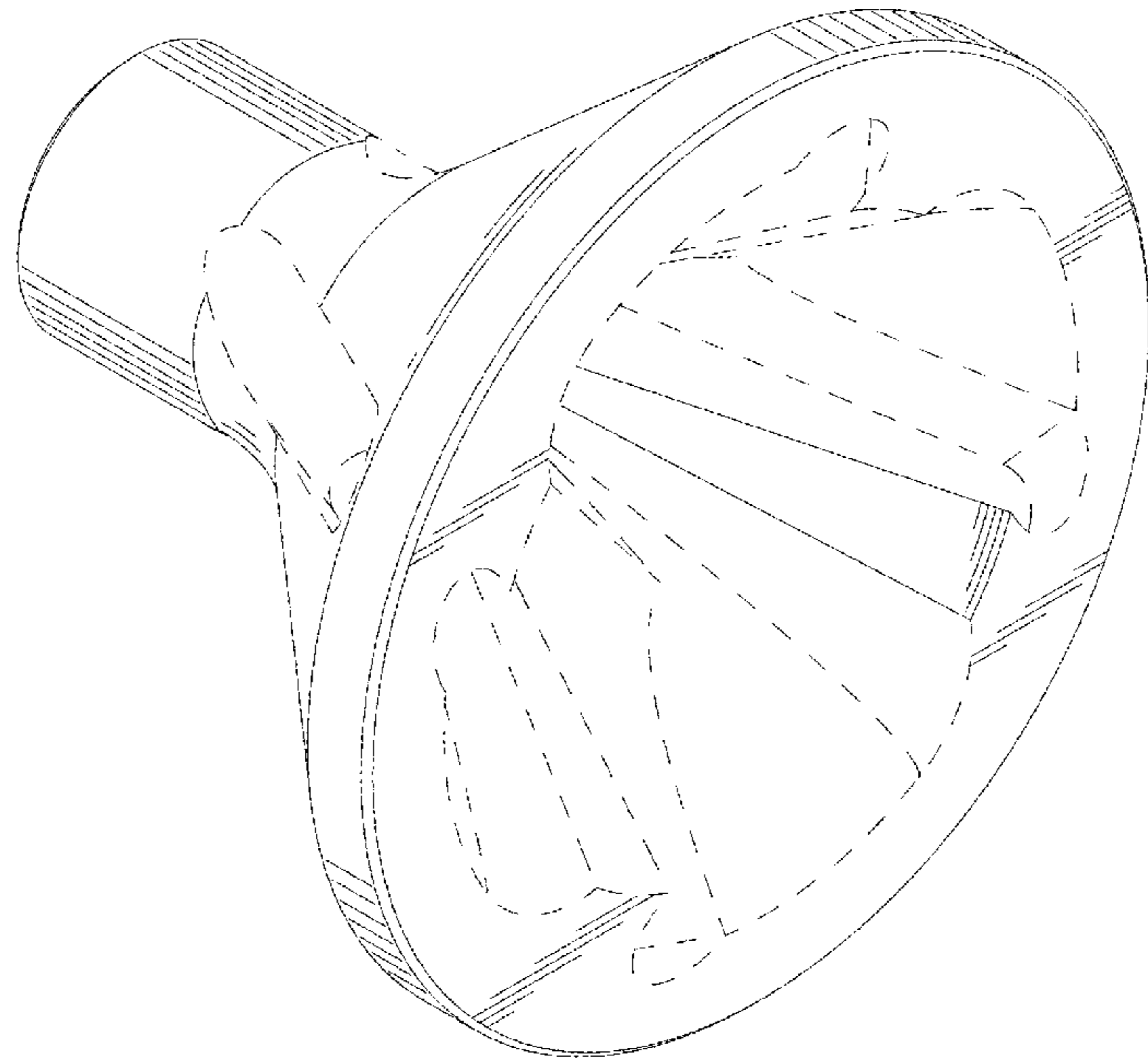
The ornamental design for a cutting tool, as shown and described.

DESCRIPTION

FIG. 1 is a perspective view of a cutting tool showing my new design;
FIG. 2 is a front view thereof;
FIG. 3 is a rear view thereof;
FIG. 4 is a left view thereof;
FIG. 5 is a right view thereof;
FIG. 6 is a top view thereof; and,
FIG. 7 is a bottom view thereof.
The broken lines depict portions of the cutting tool in which the design is embodied that are not considered part of the claimed design.

1 Claim, 7 Drawing Sheets

(56) **References Cited**
U.S. PATENT DOCUMENTS
540,075 A * 5/1895 Shimer B27G 13/10
144/234
1,593,654 A * 7/1926 Ermoshkin B27G 15/00
408/193
D222,390 S * 10/1971 Pinette D15/139
4,220,060 A * 9/1980 Bjodstrup B23B 5/167
408/191
4,798,503 A * 1/1989 Huju B23B 49/04
144/219
6,004,082 A * 12/1999 Ruhlmann B23B 5/168
142/45
6,099,211 A * 8/2000 Lee B23B 5/168
142/45



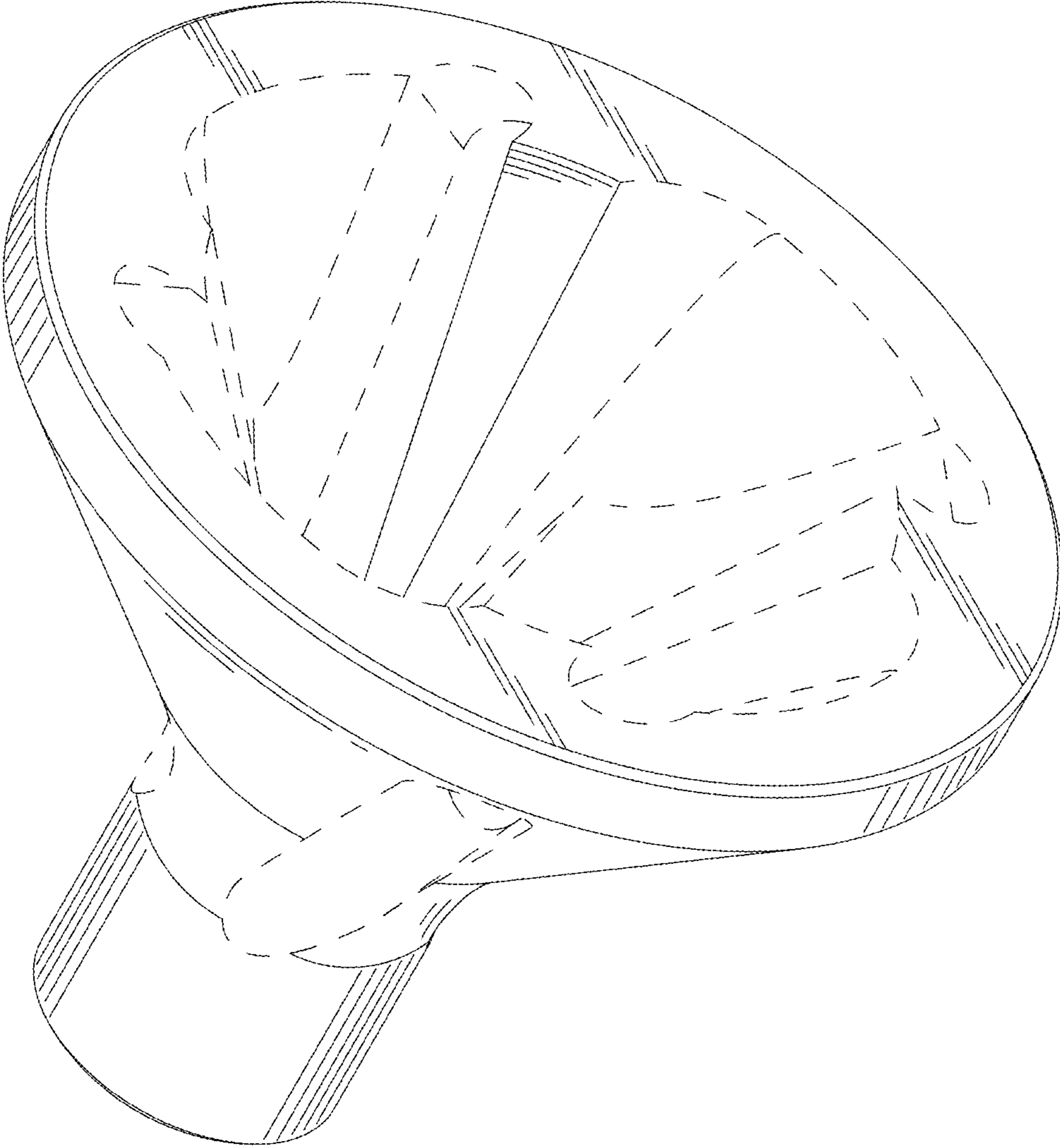


FIG. 1

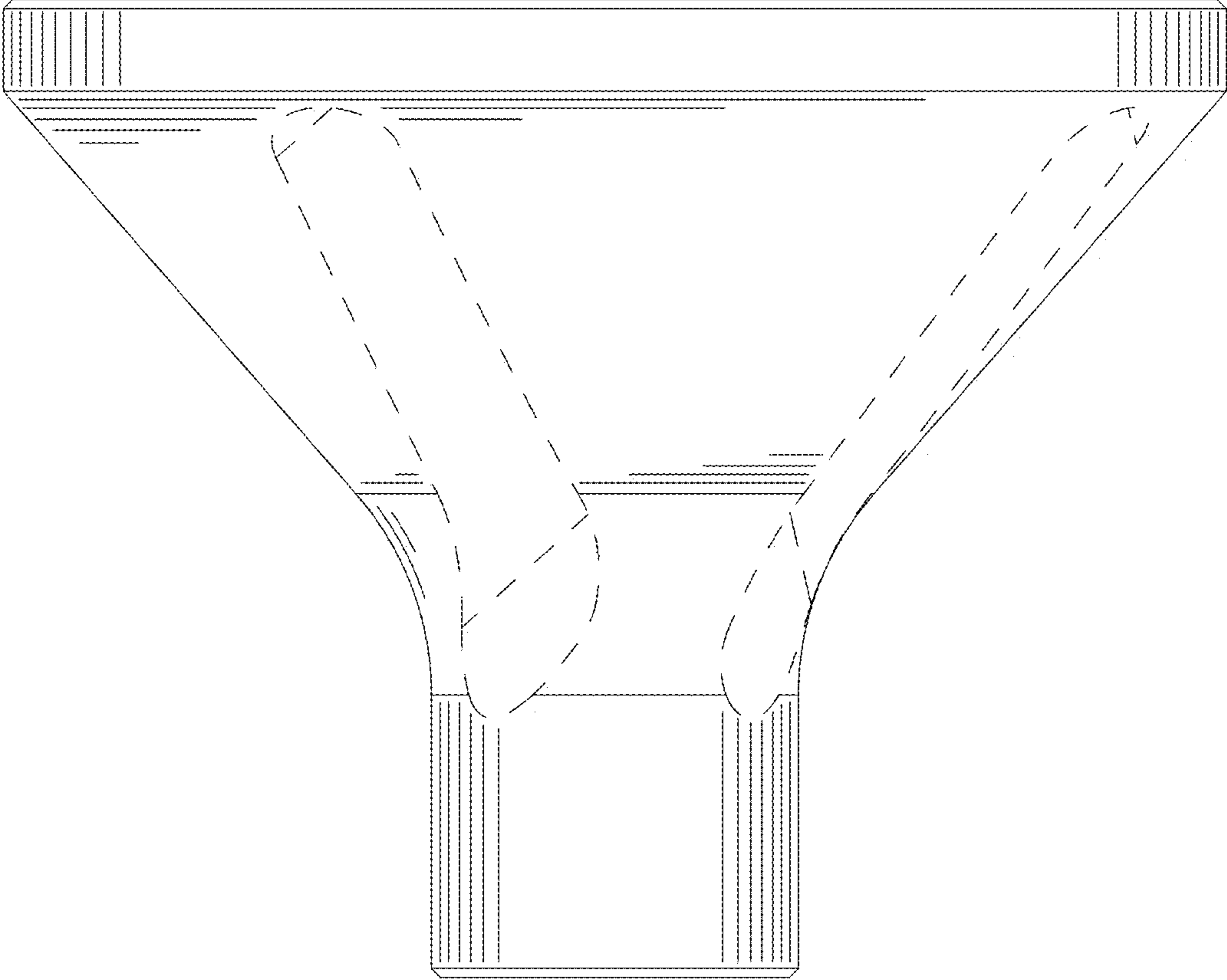


FIG. 2

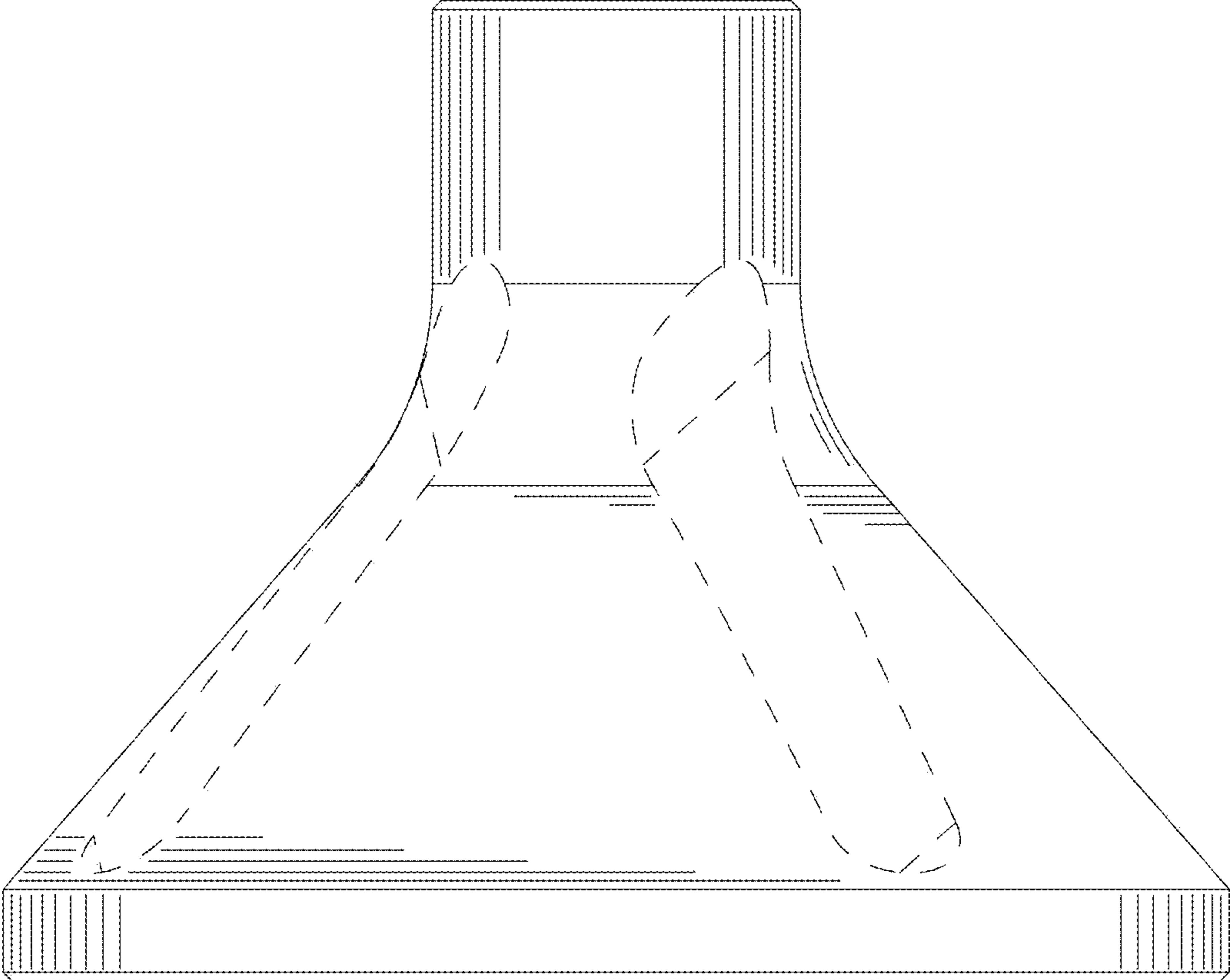


FIG. 3

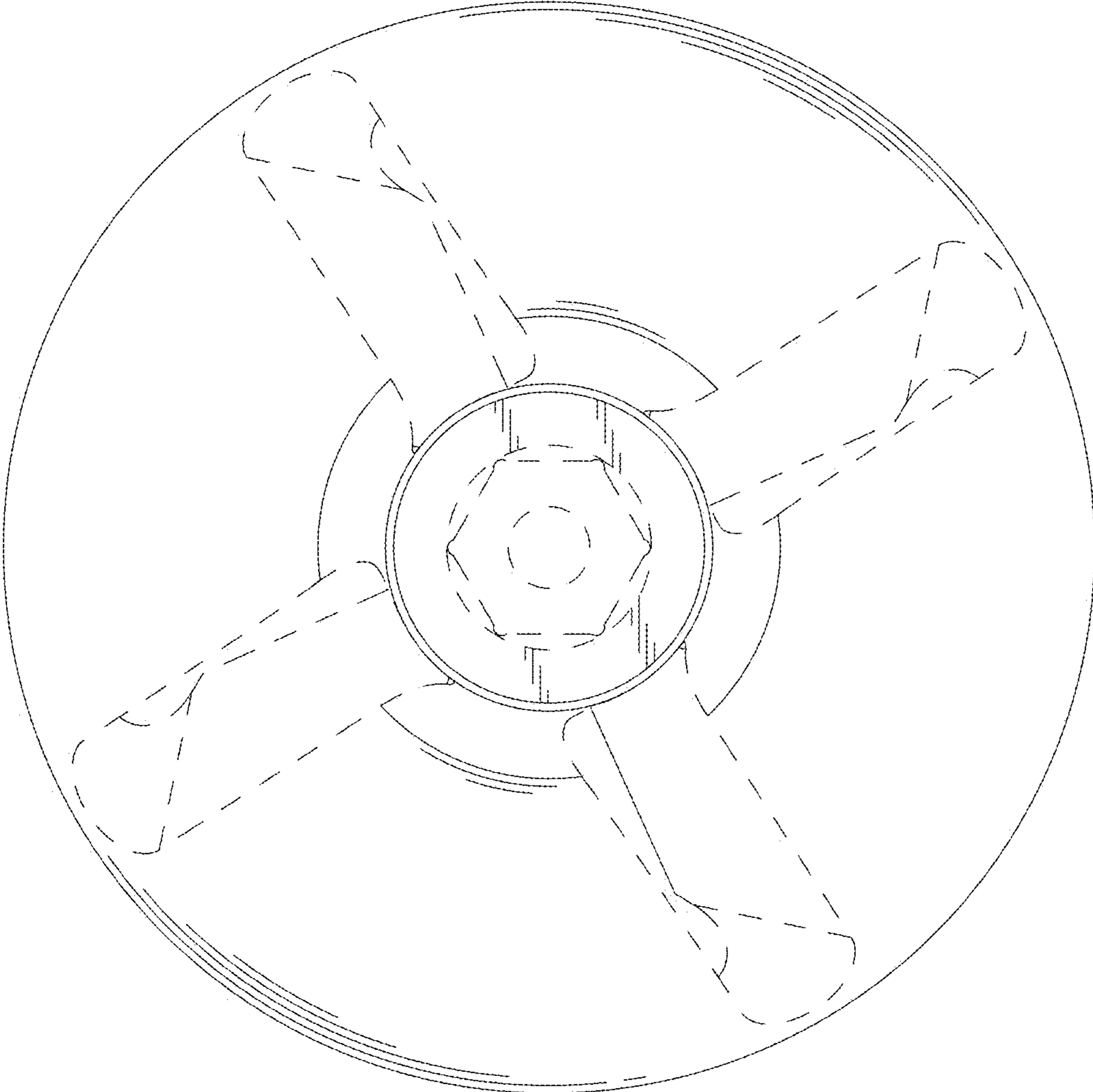


FIG. 4

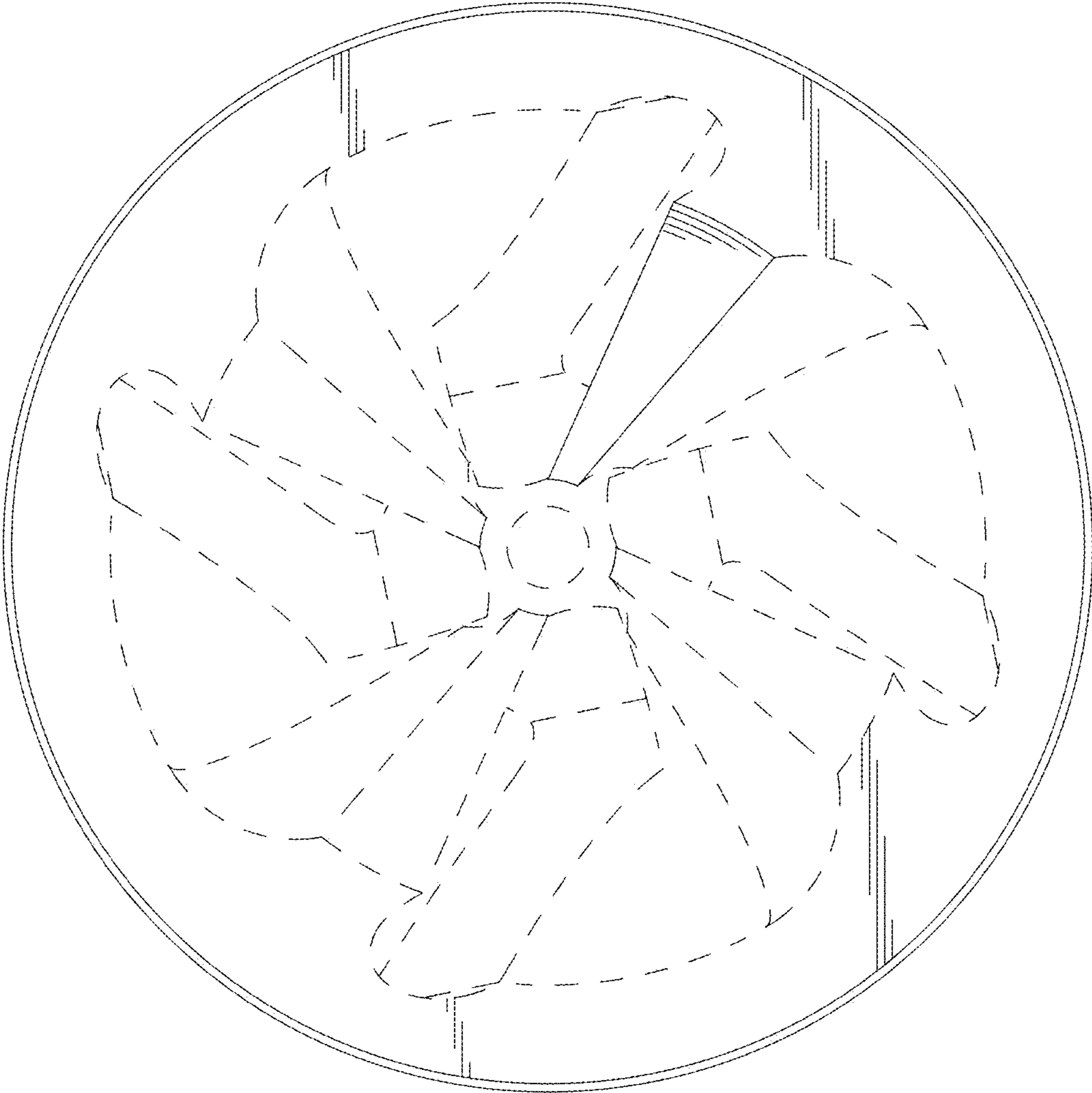


FIG. 5

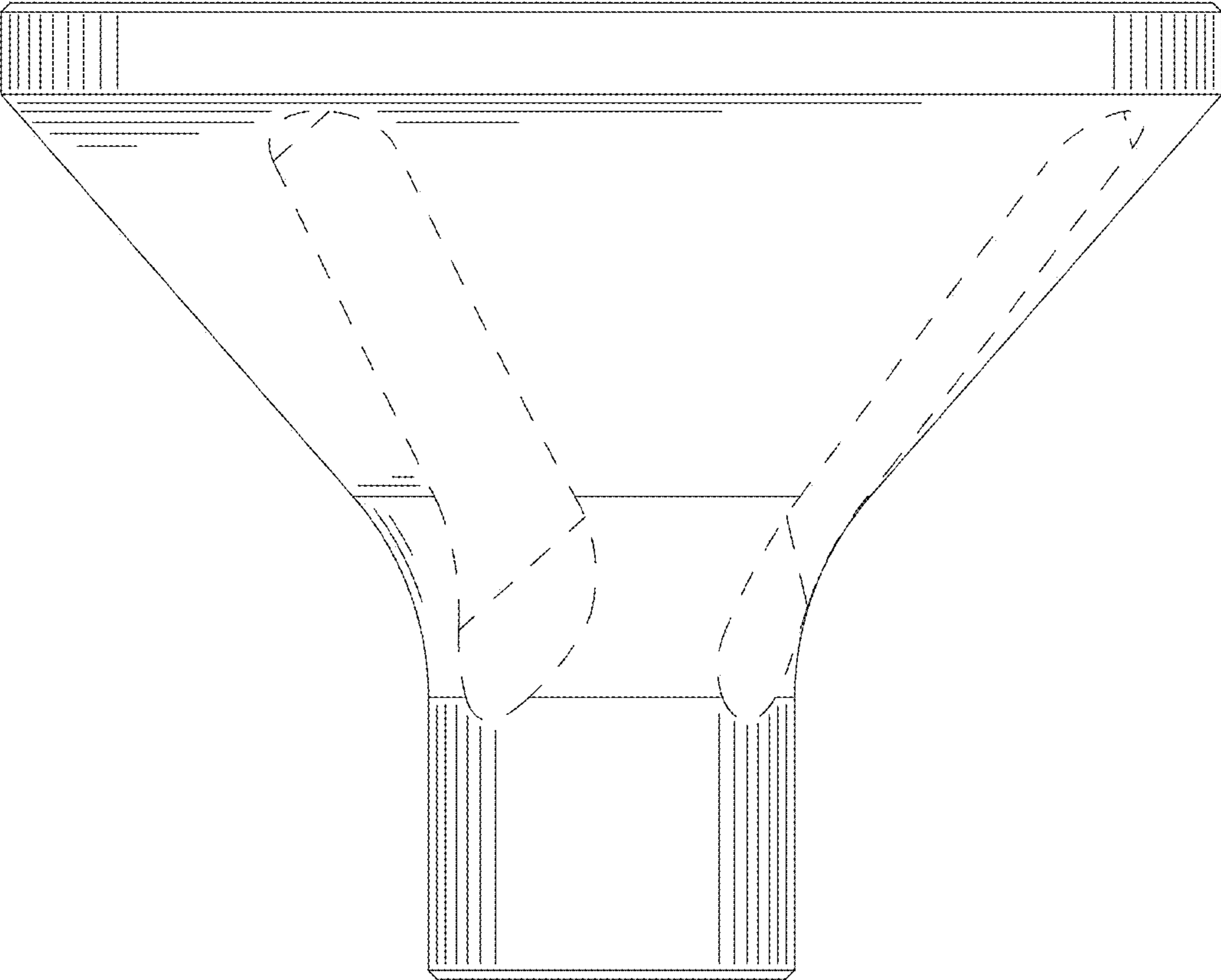


FIG. 6

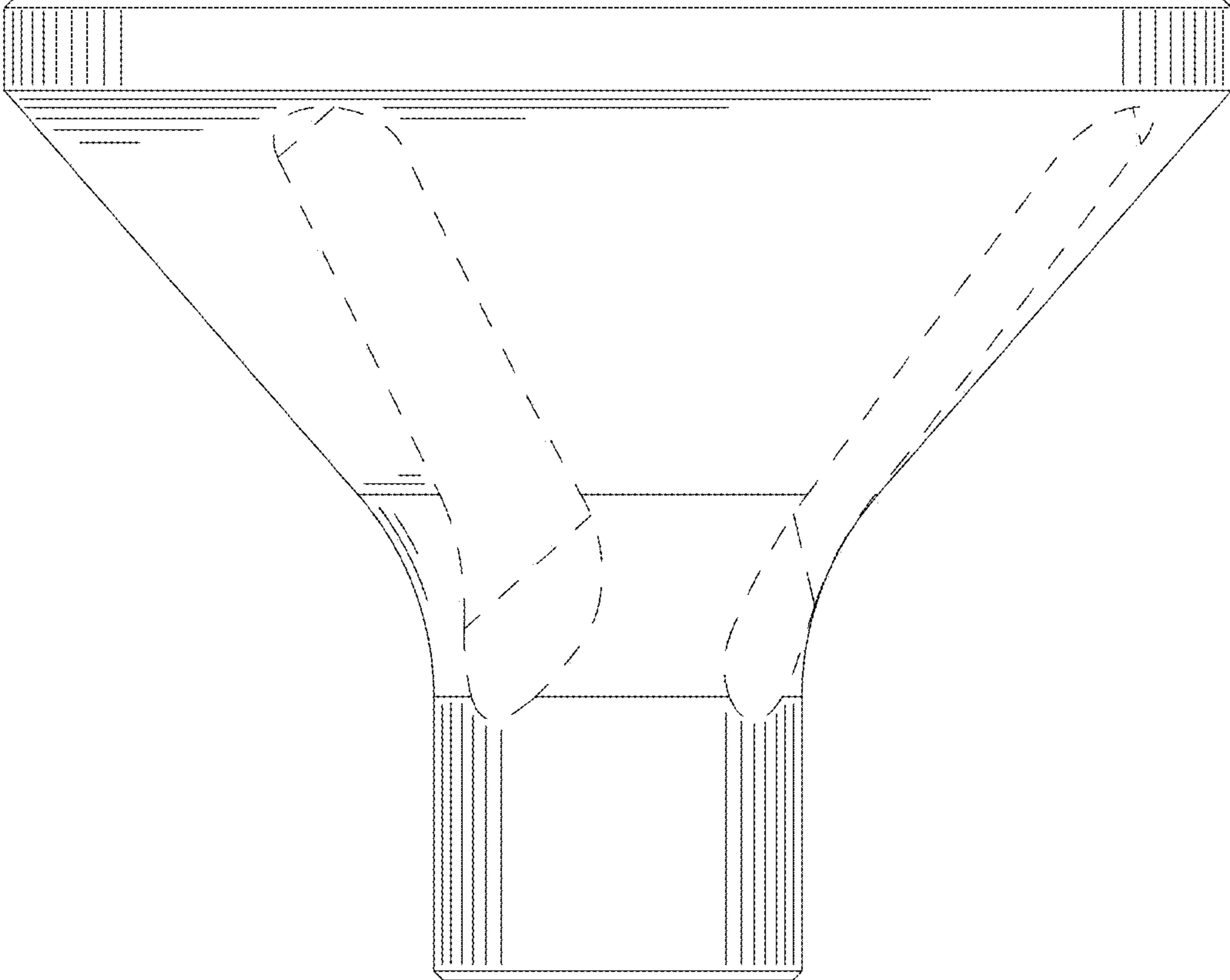


FIG. 7