



US00D875797S

(12) **United States Design Patent**
Weber

(10) **Patent No.:** **US D875,797 S**

(45) **Date of Patent:** **** Feb. 18, 2020**

(54) **CONNECTOR**

(71) Applicant: **KUKA Roboter GmbH**, Augsburg (DE)

(72) Inventor: **Reinhard Weber**, Waidhofen (DE)

(73) Assignee: **KUKA Roboter GmbH**, Augsburg (DE)

(**) Term: **15 Years**

(21) Appl. No.: **29/629,966**

(22) Filed: **Dec. 18, 2017**

Related U.S. Application Data

(62) Division of application No. 29/553,404, filed on Feb. 1, 2016, now Pat. No. Des. 827,686.

(30) **Foreign Application Priority Data**

| | | |
|---------------|------|----------------|
| Jul. 31, 2015 | (EM) | 002746701-0004 |
| Jul. 31, 2015 | (EM) | 002746701-0008 |
| Jul. 31, 2015 | (EM) | 002746701-0011 |
| Jul. 31, 2015 | (EM) | 002746701-0013 |
| Jul. 31, 2015 | (EM) | 002746701-0016 |

(51) **LOC (12) Cl.** **15-09**

(52) **U.S. Cl.**
USPC **D15/138**

(58) **Field of Classification Search**
USPC D8/382; D13/133, 146, 147, 11;
D15/133, 199; D23/262; D24/109, 129,
D24/130
CPC F16L 33/00; F16L 33/223

See application file for complete search history.

(56) **References Cited**

U.S. PATENT DOCUMENTS

| | | |
|--------------|---------|-------------|
| D517,904 S | 3/2006 | Alkalay |
| 7,128,213 B2 | 10/2006 | Tung et al. |

| | | |
|--------------|---------|-----------------|
| D569,955 S | 5/2008 | Chen |
| 7,648,178 B1 | 1/2010 | Andros |
| D651,696 S | 1/2012 | Giordano |
| D659,100 S | 5/2012 | Deiss |
| 8,317,203 B2 | 11/2012 | Hermie et al. |
| D747,471 S | 1/2016 | Gulliver et al. |
| D749,407 S | 2/2016 | Naslund |
| D752,719 S | 3/2016 | Lehmann |

(Continued)

Primary Examiner — Patricia A Palasik

(74) *Attorney, Agent, or Firm* — Sterne, Kessler, Goldstein & Fox P.L.L.C.

(57) **CLAIM**

The ornamental design for a connector, as shown and described.

DESCRIPTION

FIG. 1 is a top perspective view of a connector showing the claimed design;

FIG. 2 is another top perspective view thereof;

FIG. 3 is another top perspective view thereof;

FIG. 4 is a right side view thereof;

FIG. 5 is a front view thereof;

FIG. 6 is a rear view thereof;

FIG. 7 is a top view thereof; the bottom view forms no part of the claimed design;

FIG. 8 is a top perspective view of another embodiment of a connector showing the claimed design;

FIG. 9 is another top perspective view thereof;

FIG. 10 is another top perspective view thereof;

FIG. 11 is a right side view thereof;

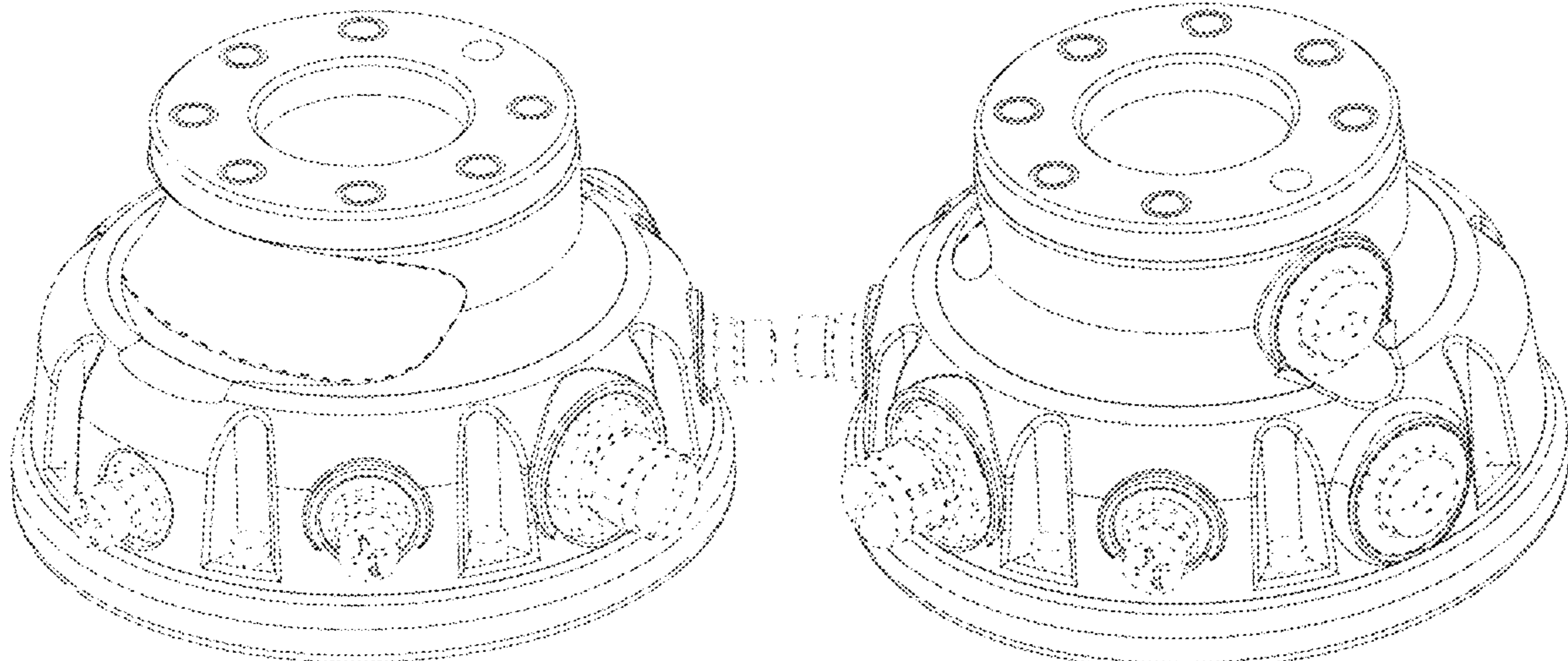
FIG. 12 is a front view thereof;

FIG. 13 is a rear view thereof; and,

FIG. 14 is a top view thereof; the bottom view forms no part of the claimed design.

The broken lines and the areas within the broken lines in the figures show portions of the connector that form no part of the claimed design.

1 Claim, 14 Drawing Sheets



(56)

References Cited

U.S. PATENT DOCUMENTS

| | | | | |
|--------------|------|---------|----------------------|--------------|
| D756,929 | S | 5/2016 | Harck et al. | |
| D757,260 | S | 5/2016 | Lombardi, III et al. | |
| D758,555 | S | 6/2016 | Van Dyke et al. | |
| D760,363 | S | 6/2016 | Yang | |
| 9,423,062 | B2 * | 8/2016 | Steele | F16L 37/0982 |
| D769,332 | S | 10/2016 | Varini | |
| D770,384 | S | 11/2016 | Zetterqvist et al. | |
| D770,598 | S | 11/2016 | Steele | |
| D771,247 | S | 11/2016 | Shinohara et al. | |
| D771,572 | S | 11/2016 | Katagiyama et al. | |
| D775,312 | S | 12/2016 | Boughton et al. | |
| D781,787 | S | 3/2017 | Spiel | |
| D789,529 | S | 6/2017 | Davis et al. | |
| D797,086 | S | 9/2017 | Lu | |
| 10,014,673 | B2 * | 7/2018 | Yeh | H02G 3/0691 |
| 10,166,347 | B1 * | 1/2019 | Vitello | A61M 5/5086 |
| 2016/0245441 | A1 * | 8/2016 | Klein | F16L 33/00 |
| 2016/0258565 | A1 * | 9/2016 | Leys | F16L 19/005 |

* cited by examiner

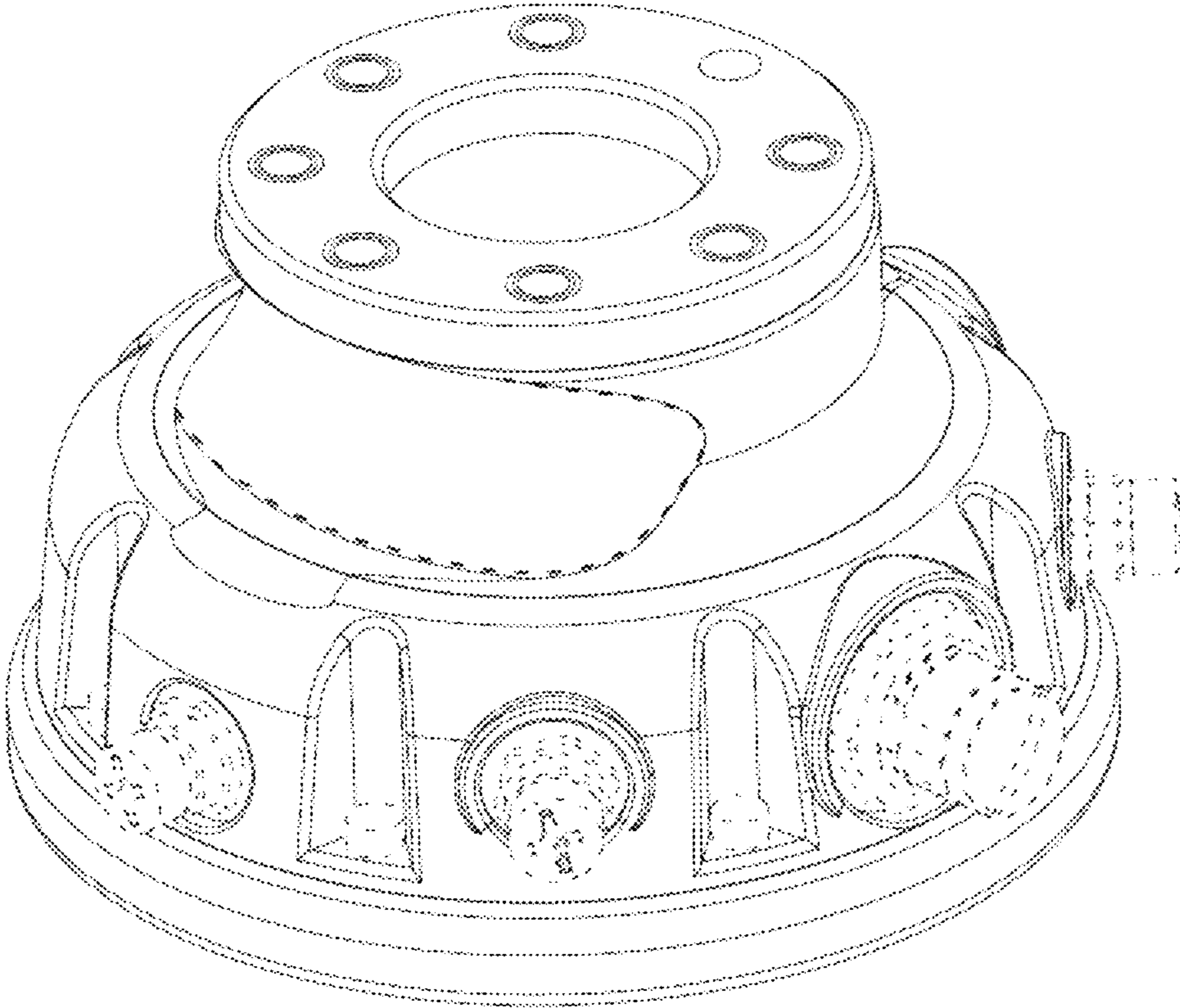


FIG. 1

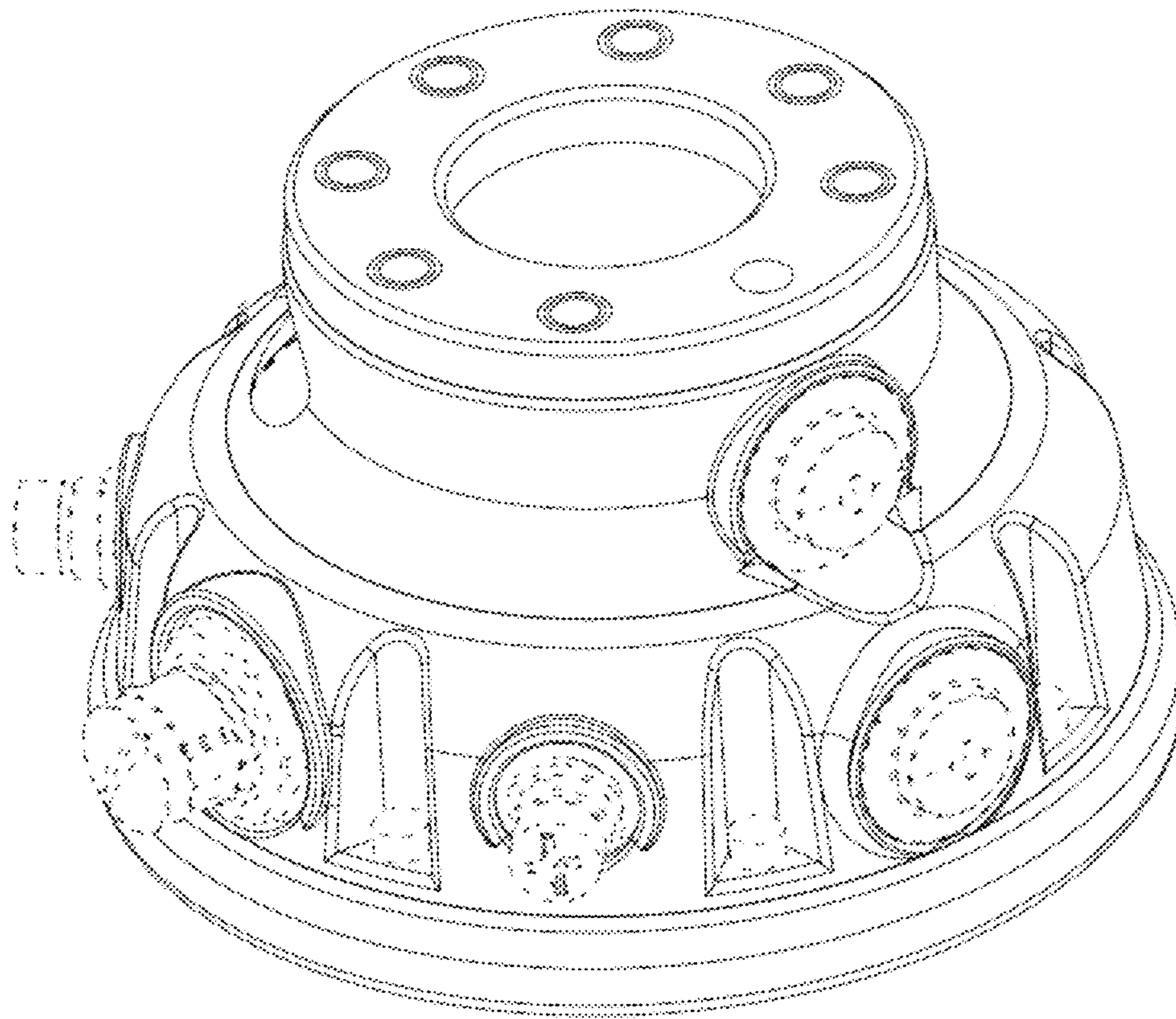


FIG. 2

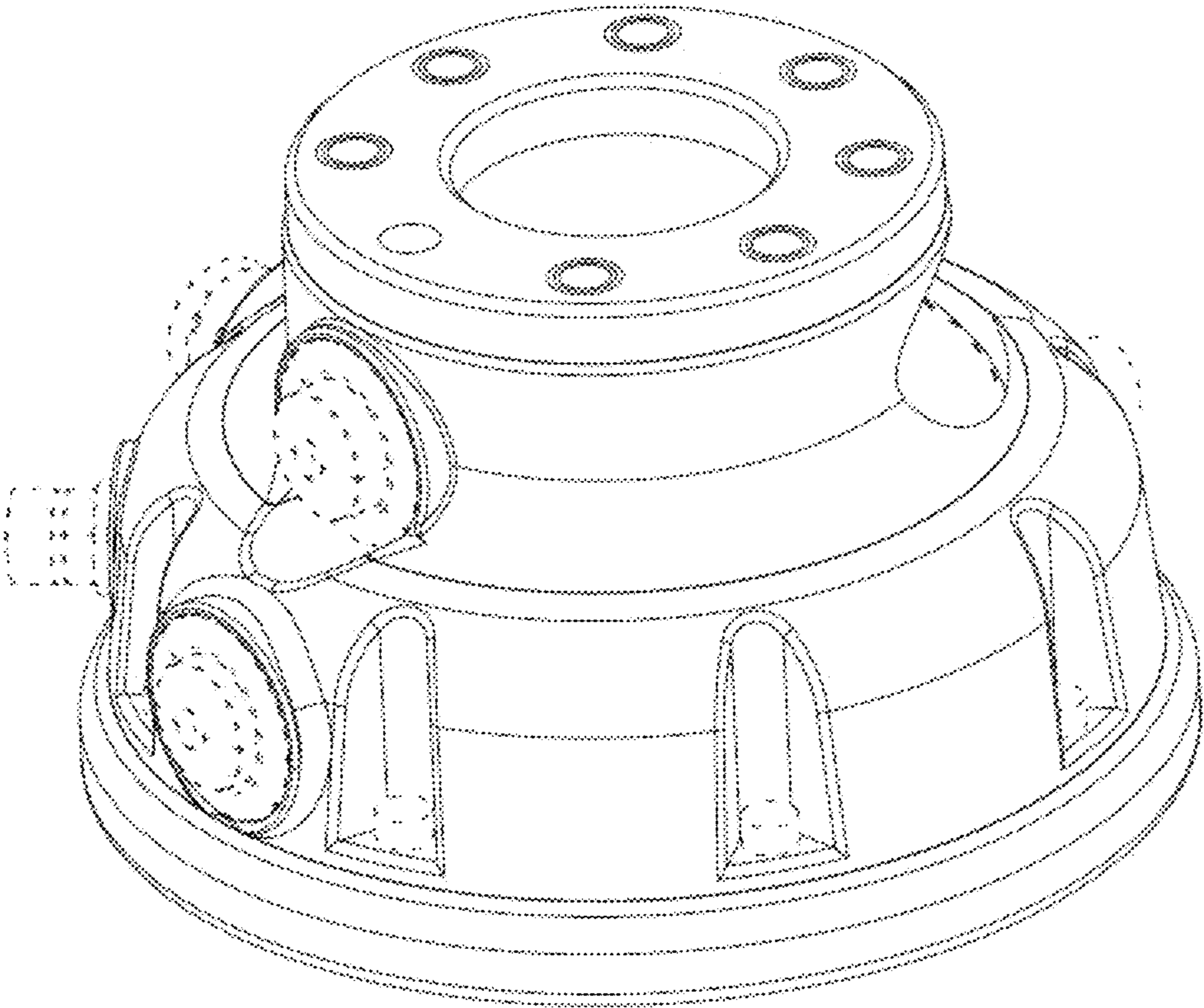


FIG. 3

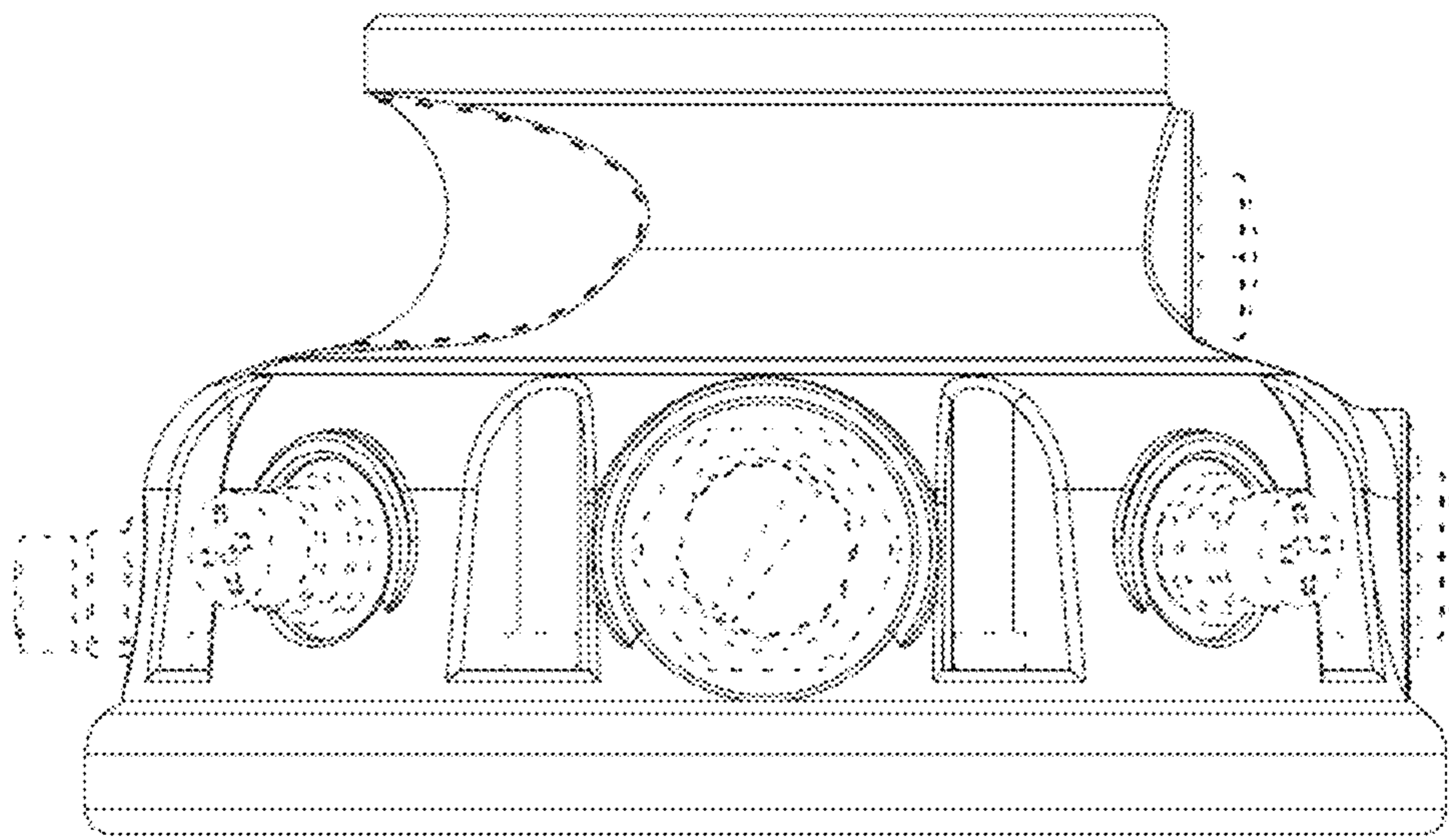


FIG. 4

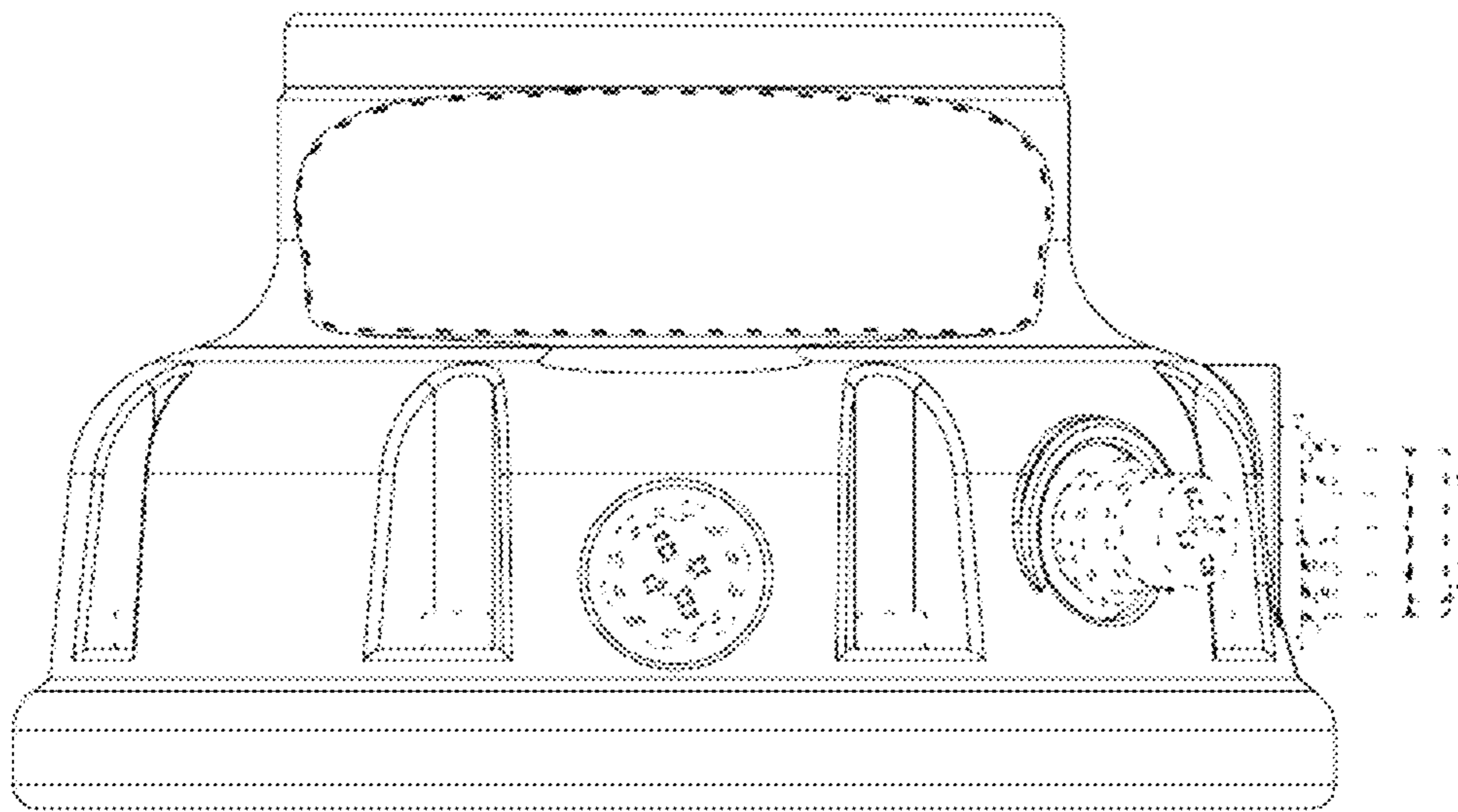


FIG. 5

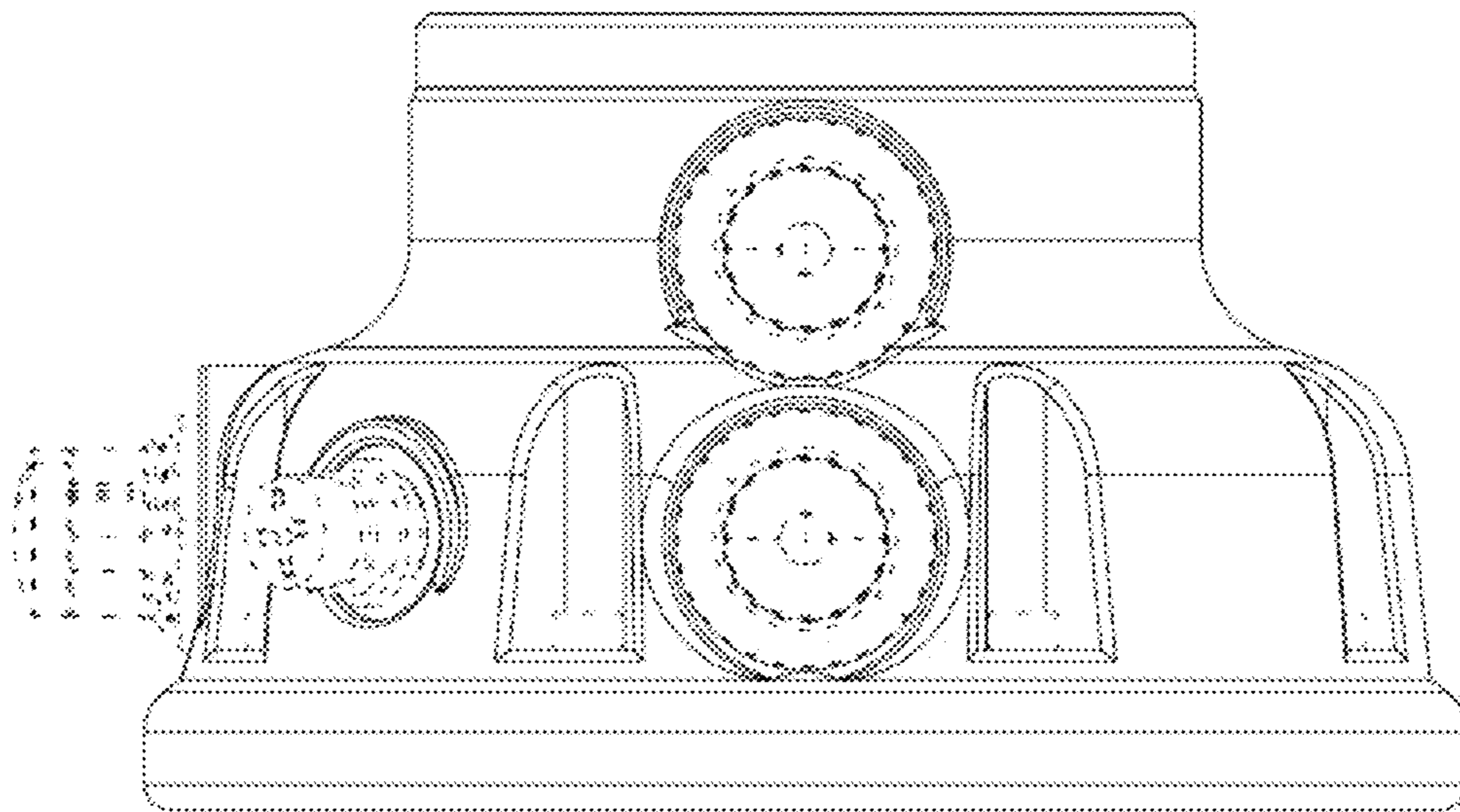


FIG. 6

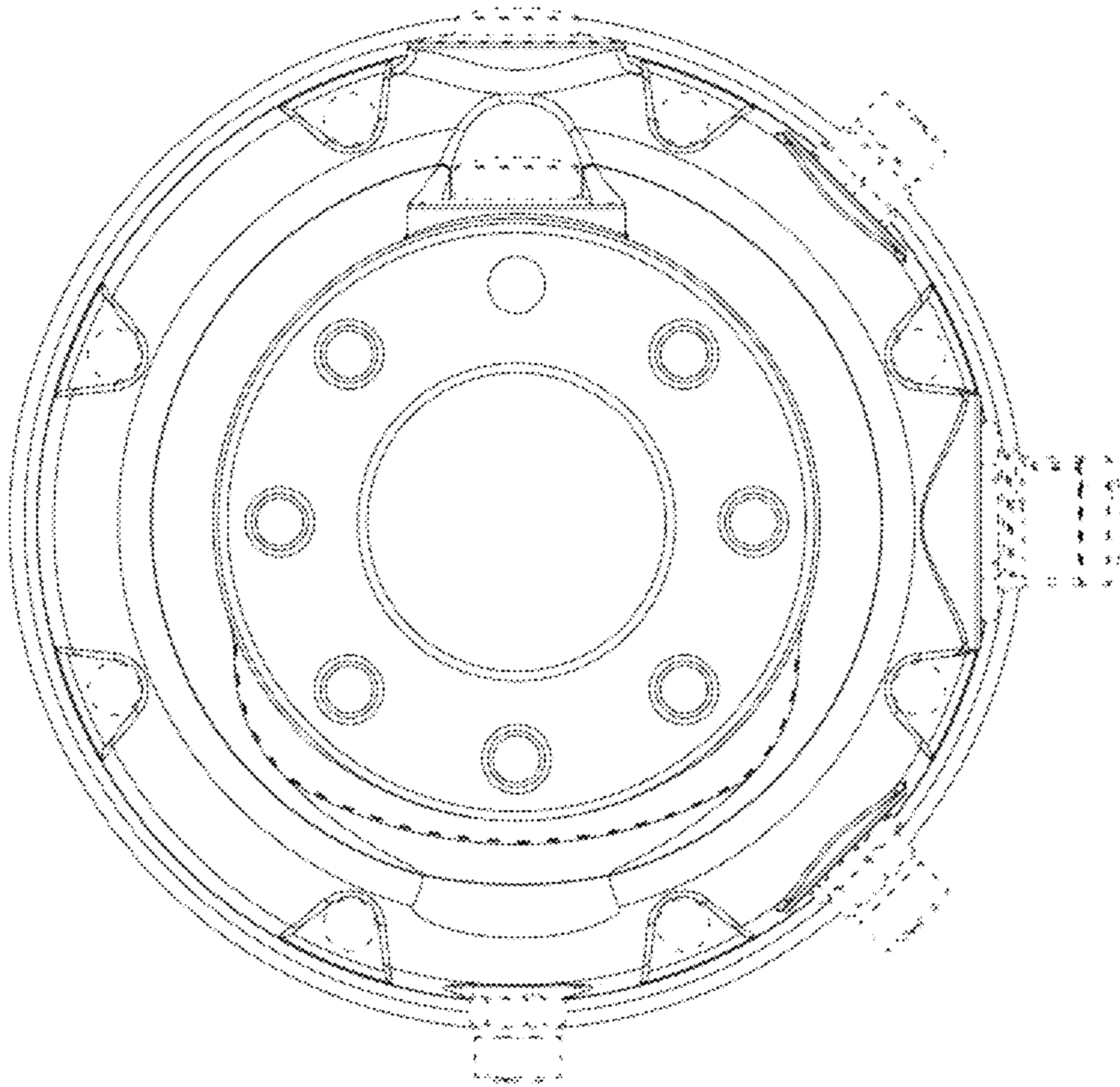


FIG. 7

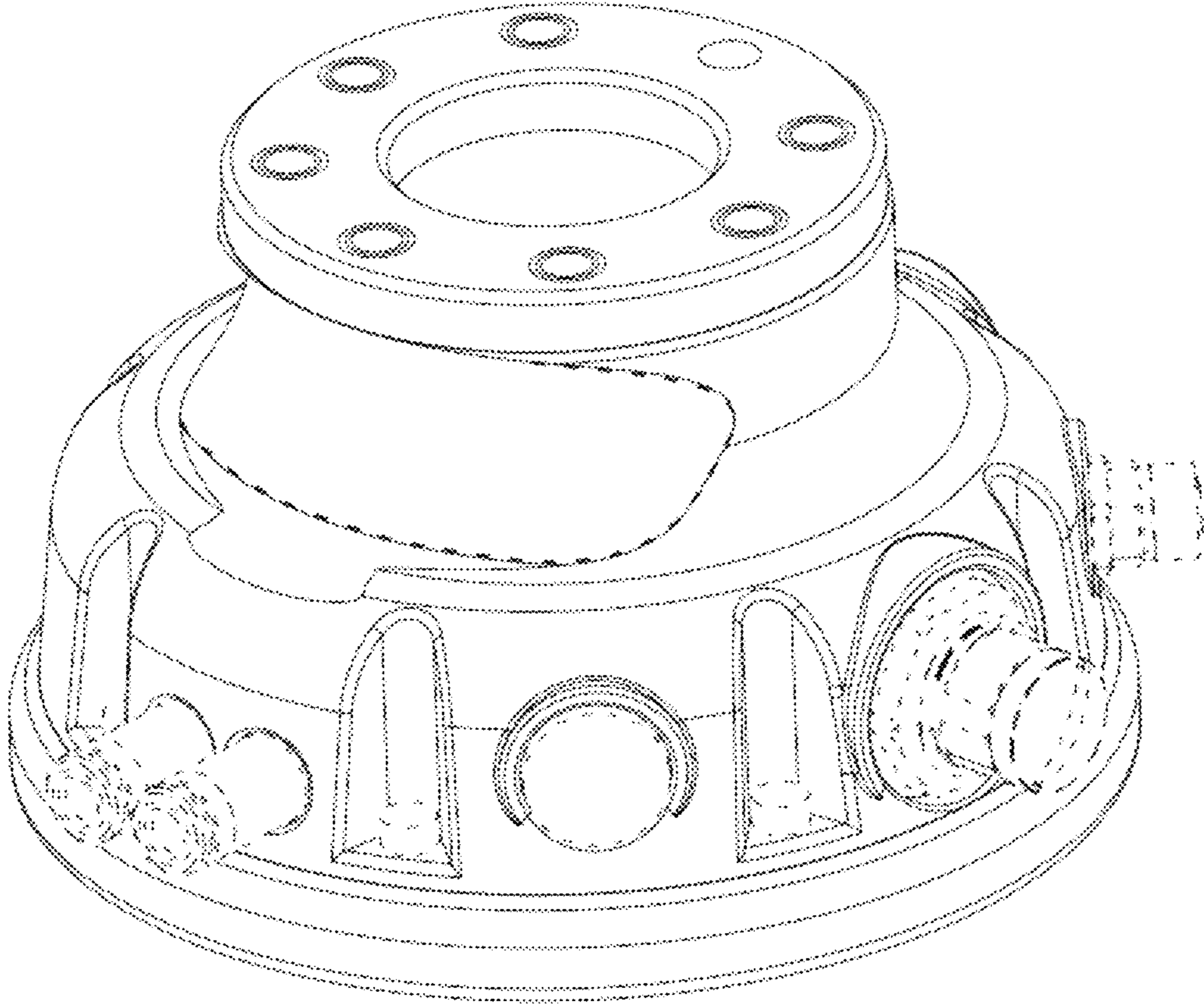


FIG. 8

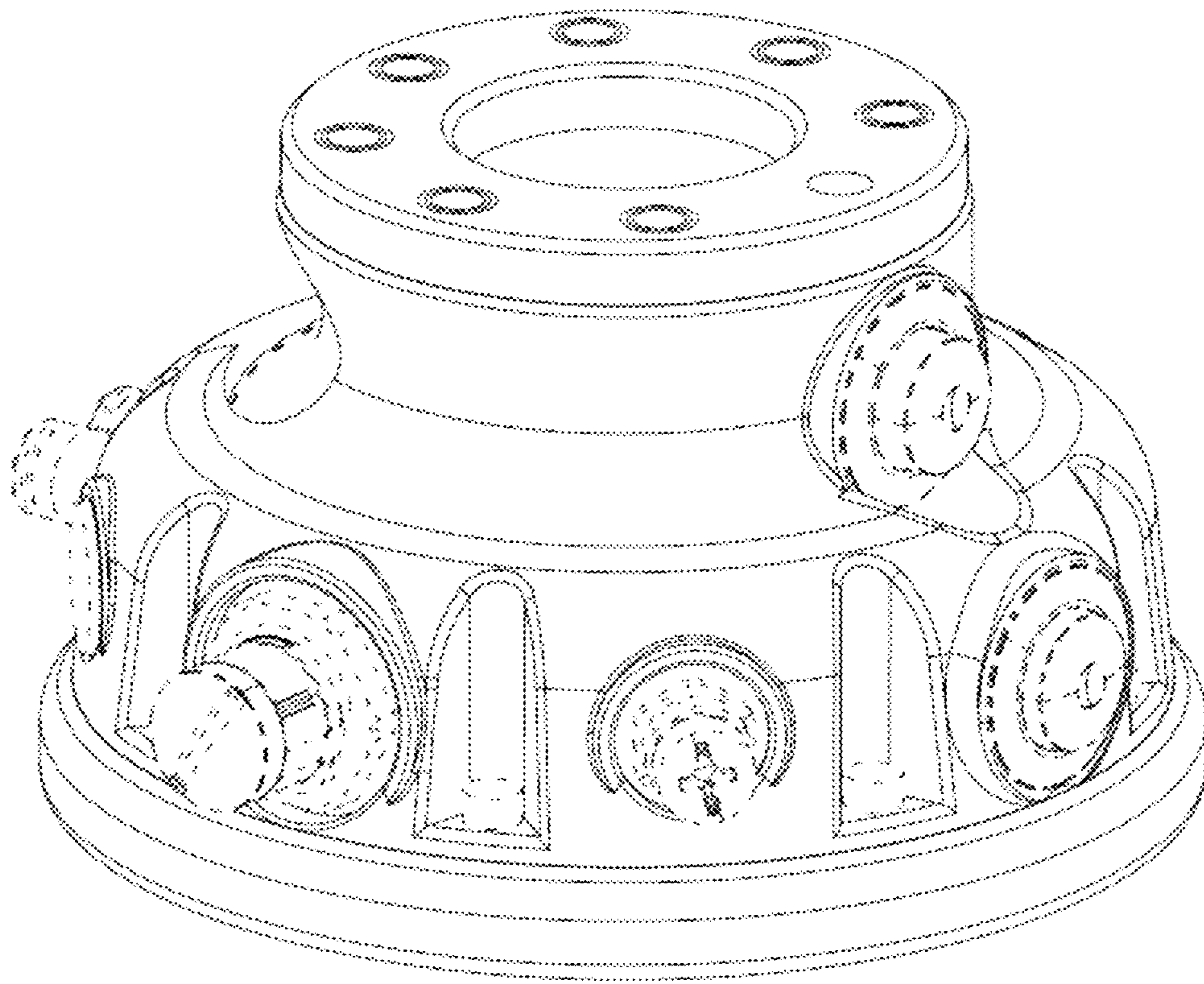


FIG. 9

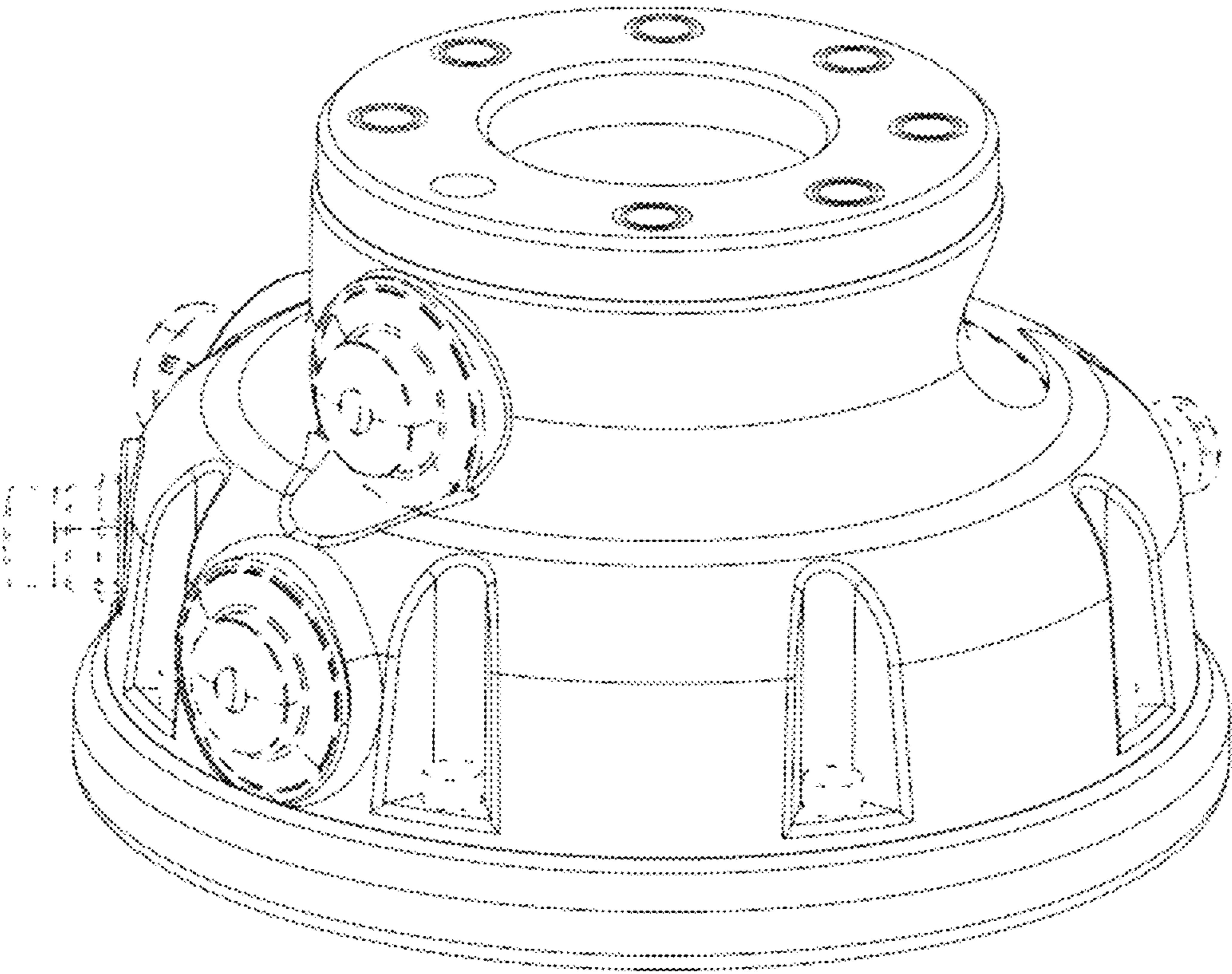


FIG. 10

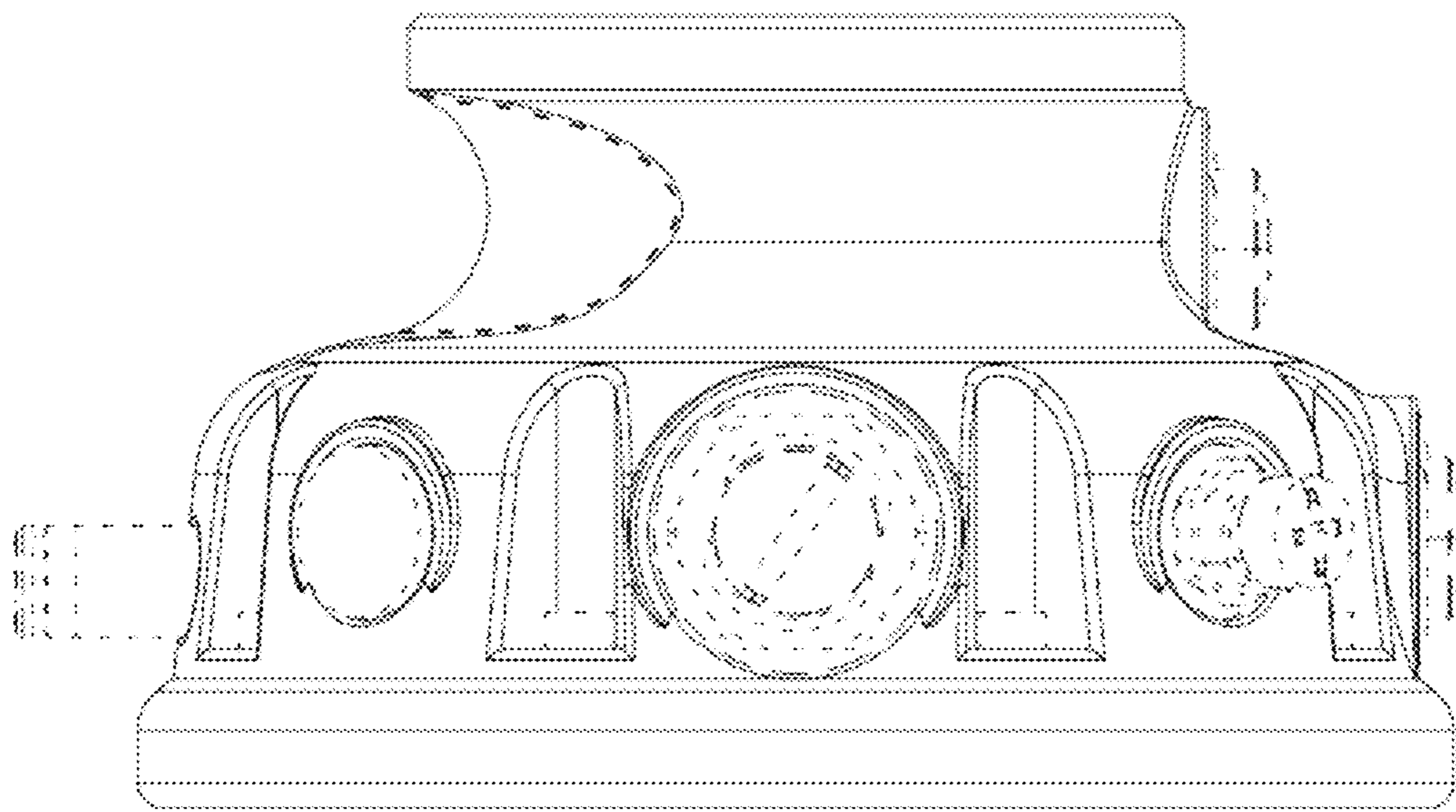


FIG. 11

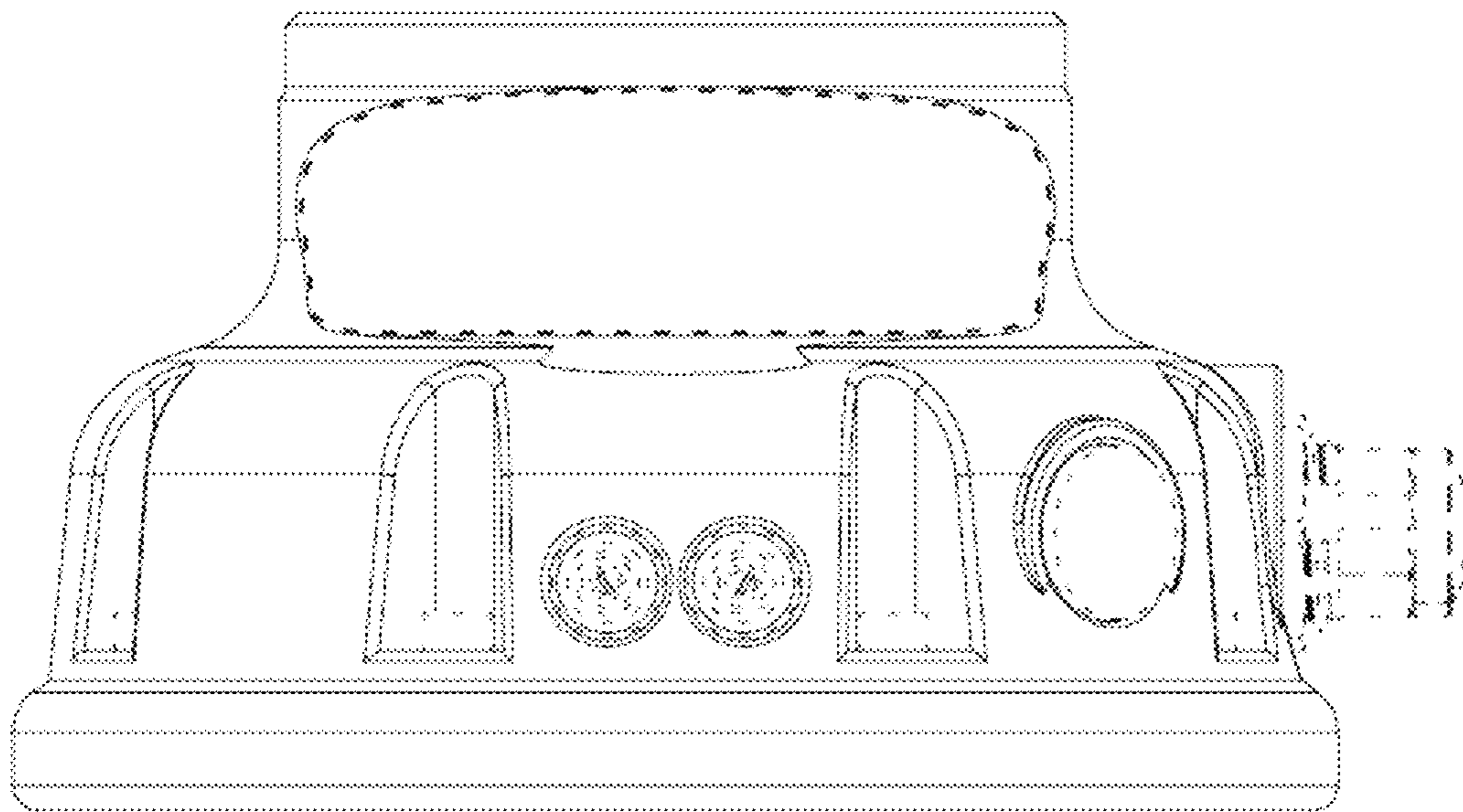


FIG. 12

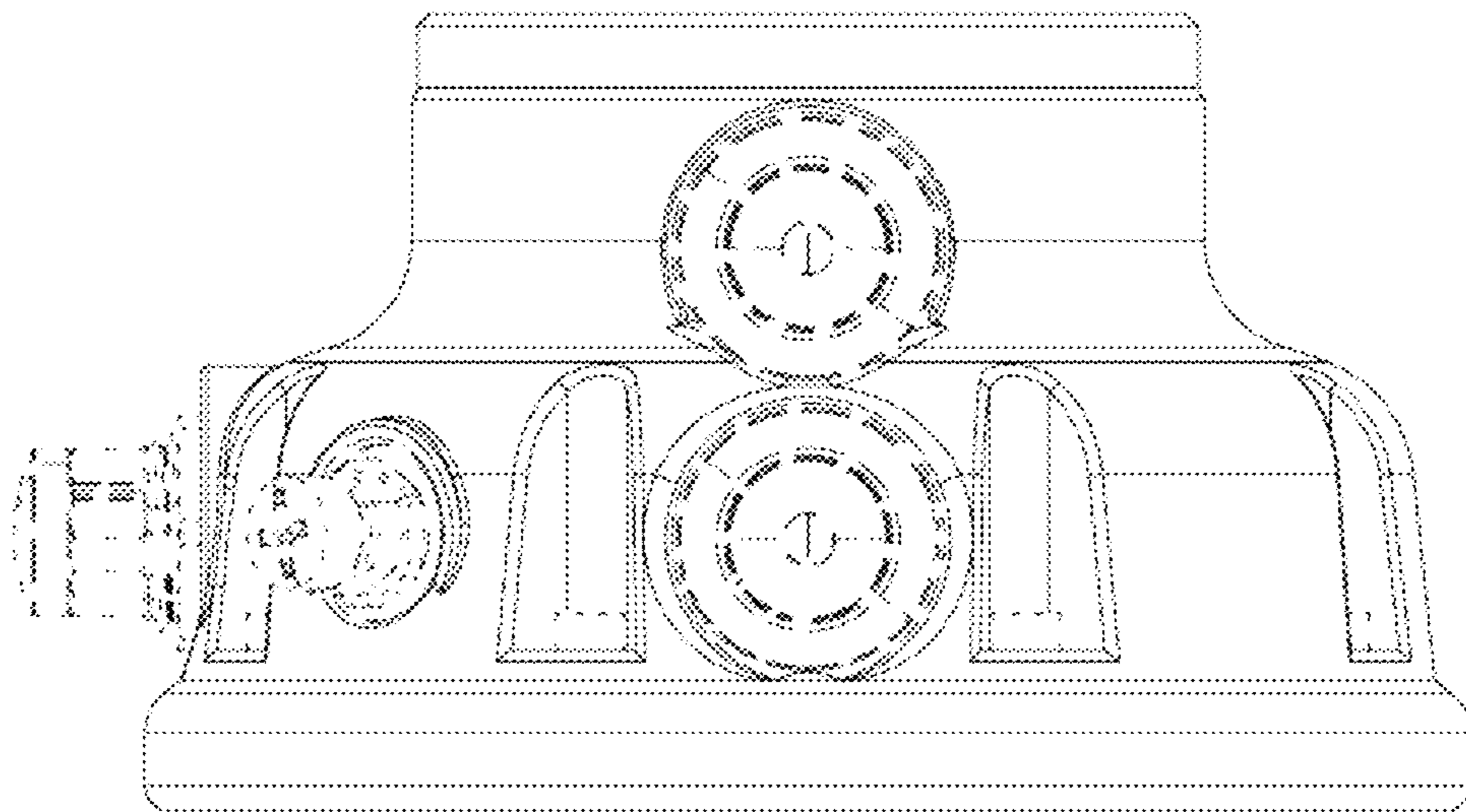


FIG. 13

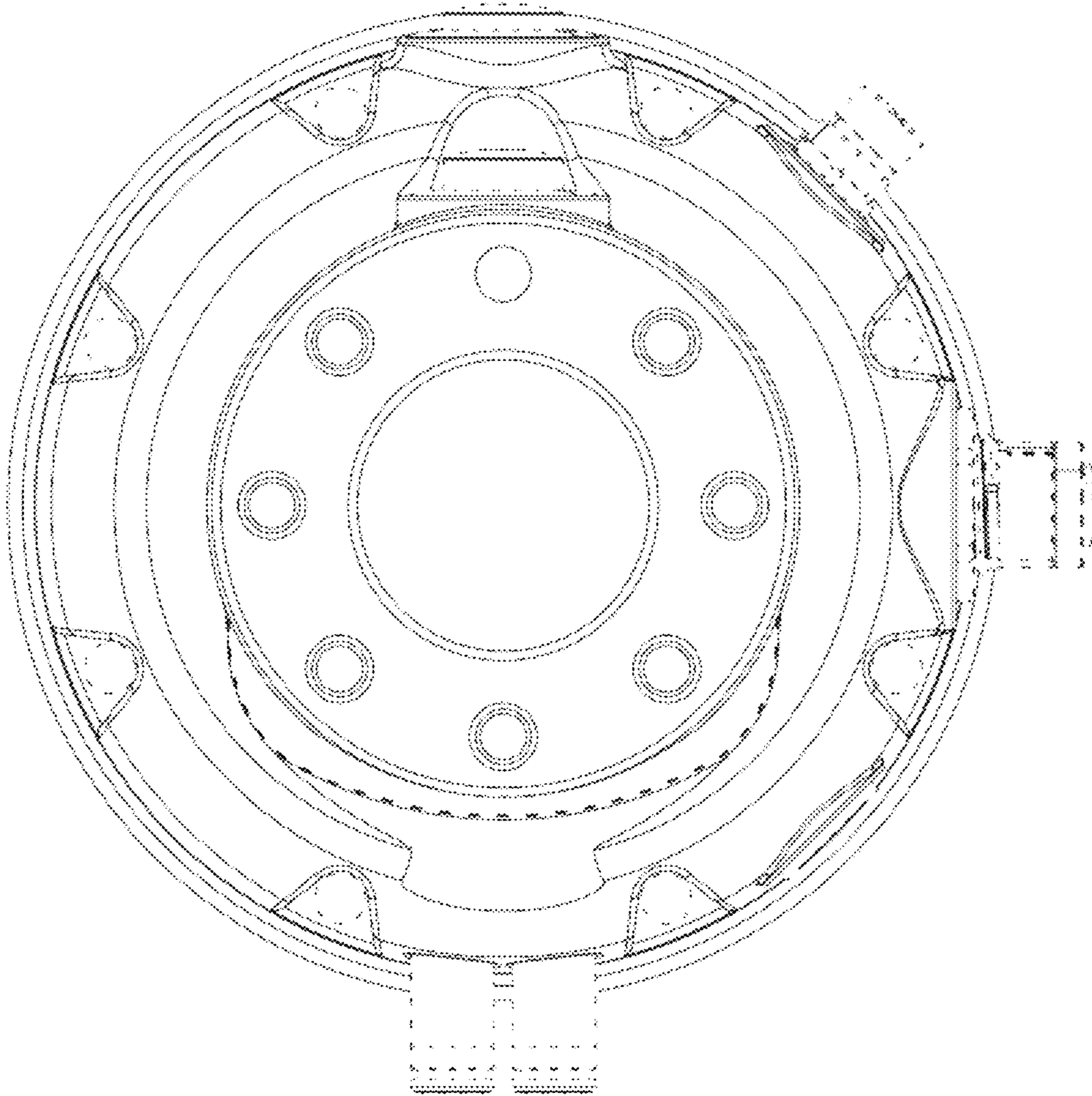


FIG. 14