



US00D875796S

(12) **United States Design Patent**  
**Weber**

(10) **Patent No.:** **US D875,796 S**

(45) **Date of Patent:** **\*\* Feb. 18, 2020**

(54) **CONNECTOR**

(71) Applicant: **KUKA Roboter GmbH**, Augsburg (DE)

(72) Inventor: **Reinhard Weber**, Waidhofen (DE)

(73) Assignee: **KUKA Roboter GmbH**, Augsburg (DE)

(\*\*) Term: **15 Years**

(21) Appl. No.: **29/629,964**

(22) Filed: **Dec. 18, 2017**

**Related U.S. Application Data**

(62) Division of application No. 29/553,404, filed on Feb. 1, 2016, now Pat. No. Des. 827,686.

(30) **Foreign Application Priority Data**

Jul. 31, 2015	(EM)	002746701-0004
Jul. 31, 2015	(EM)	002746701-0008
Jul. 31, 2015	(EM)	002746701-0011
Jul. 31, 2015	(EM)	002746701-0013
Jul. 31, 2015	(EM)	002746701-0016

(51) **LOC (12) Cl.** ..... **15-09**

(52) **U.S. Cl.**  
USPC ..... **D15/138**

(58) **Field of Classification Search**  
USPC ..... D8/382; D13/133, 146, 147, 11;  
D15/133, 199; D23/262; D24/109, 129,  
D24/130  
CPC ..... F16L 33/00; F16L 33/223  
See application file for complete search history.

(56) **References Cited**

**U.S. PATENT DOCUMENTS**

D517,904 S	3/2006	Alkalay
7,128,213 B2	10/2006	Tung et al.

D569,955 S	5/2008	Chen
7,648,178 B1	1/2010	Andros
D651,696 S	1/2012	Giordano
D659,100 S	5/2012	Deiss
8,317,203 B2	11/2012	Hermie et al.
D747,471 S	1/2016	Gulliver et al.
D749,407 S	2/2016	Naslund
D752,719 S	3/2016	Lehmann
D756,929 S	5/2016	Harck et al.
D757,260 S	5/2016	Lombardi, III et al.
D758,555 S	6/2016	Van Dyke et al.
D760,363 S	6/2016	Yang
9,423,062 B2 *	8/2016	Steele ..... F16L 37/0982
D769,332 S	10/2016	Varini
D770,384 S	11/2016	Zetterqvist et al.
D770,598 S	11/2016	Steele
D771,247 S	11/2016	Shinohara et al.

(Continued)

*Primary Examiner* — Patricia A Palasik

(74) *Attorney, Agent, or Firm* — Sterne, Kessler, Goldstein & Fox P.L.L.C.

(57) **CLAIM**

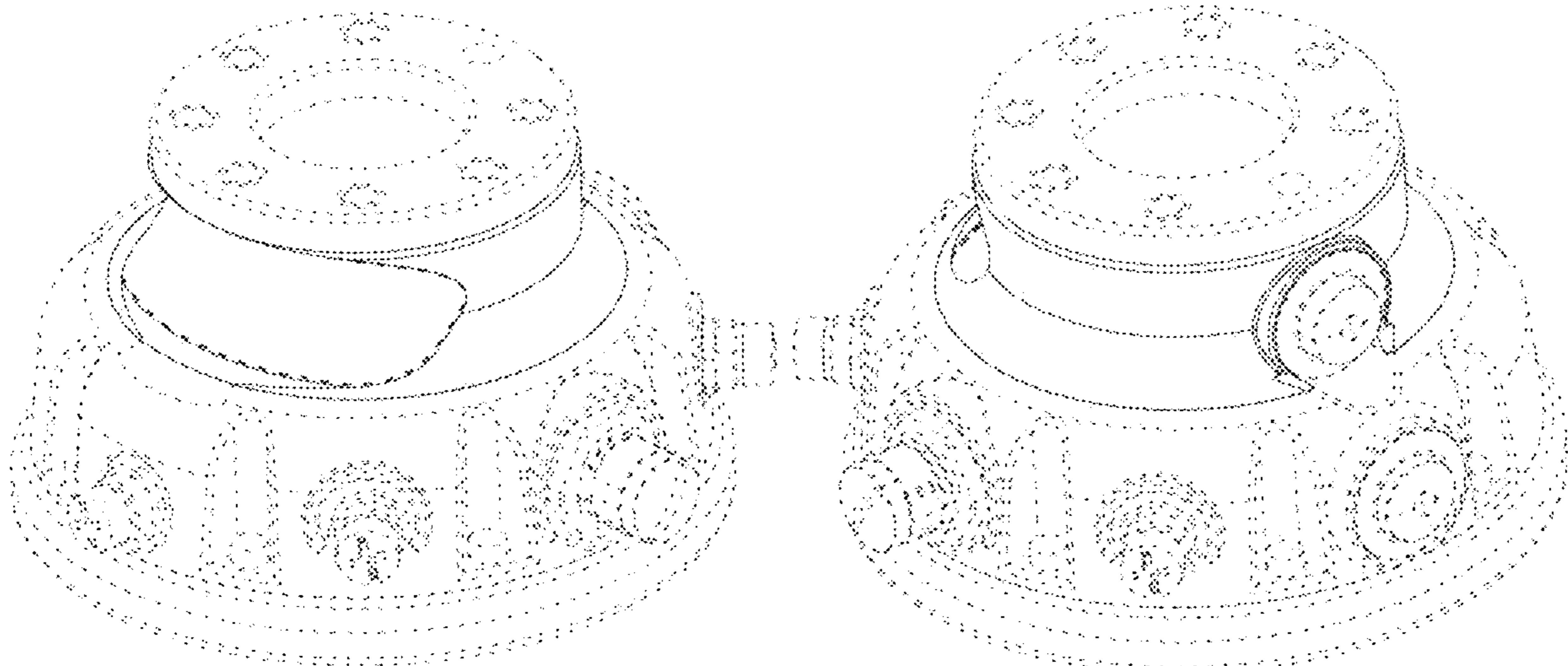
The ornamental design for a connector, as shown and described.

**DESCRIPTION**

FIG. 1 is a top perspective view of a connector showing the claimed design;  
FIG. 2 is another top perspective view thereof;  
FIG. 3 is another top perspective view thereof;  
FIG. 4 is a right side view thereof;  
FIG. 5 is a front view thereof;  
FIG. 6 is a rear view thereof; and,  
FIG. 7 is a top view thereof; the bottom view forms no part of the claimed design.

The broken lines and the areas within the broken lines in the figures show portions of the connector that form no part of the claimed design.

**1 Claim, 7 Drawing Sheets**



(56)

**References Cited**

U.S. PATENT DOCUMENTS

D771,572 S	11/2016	Katagiyama et al.	
D775,312 S	12/2016	Boughton et al.	
D781,787 S	3/2017	Spiel	
D789,529 S	6/2017	Davis et al.	
D797,086 S	9/2017	Lu	
10,014,673 B2 *	7/2018	Yeh .....	H02G 3/0691
10,166,347 B1 *	1/2019	Vitello .....	A61M 5/5086
2016/0245441 A1 *	8/2016	Klein .....	F16L 33/00
2016/0258565 A1 *	9/2016	Leys .....	F16L 19/005

\* cited by examiner

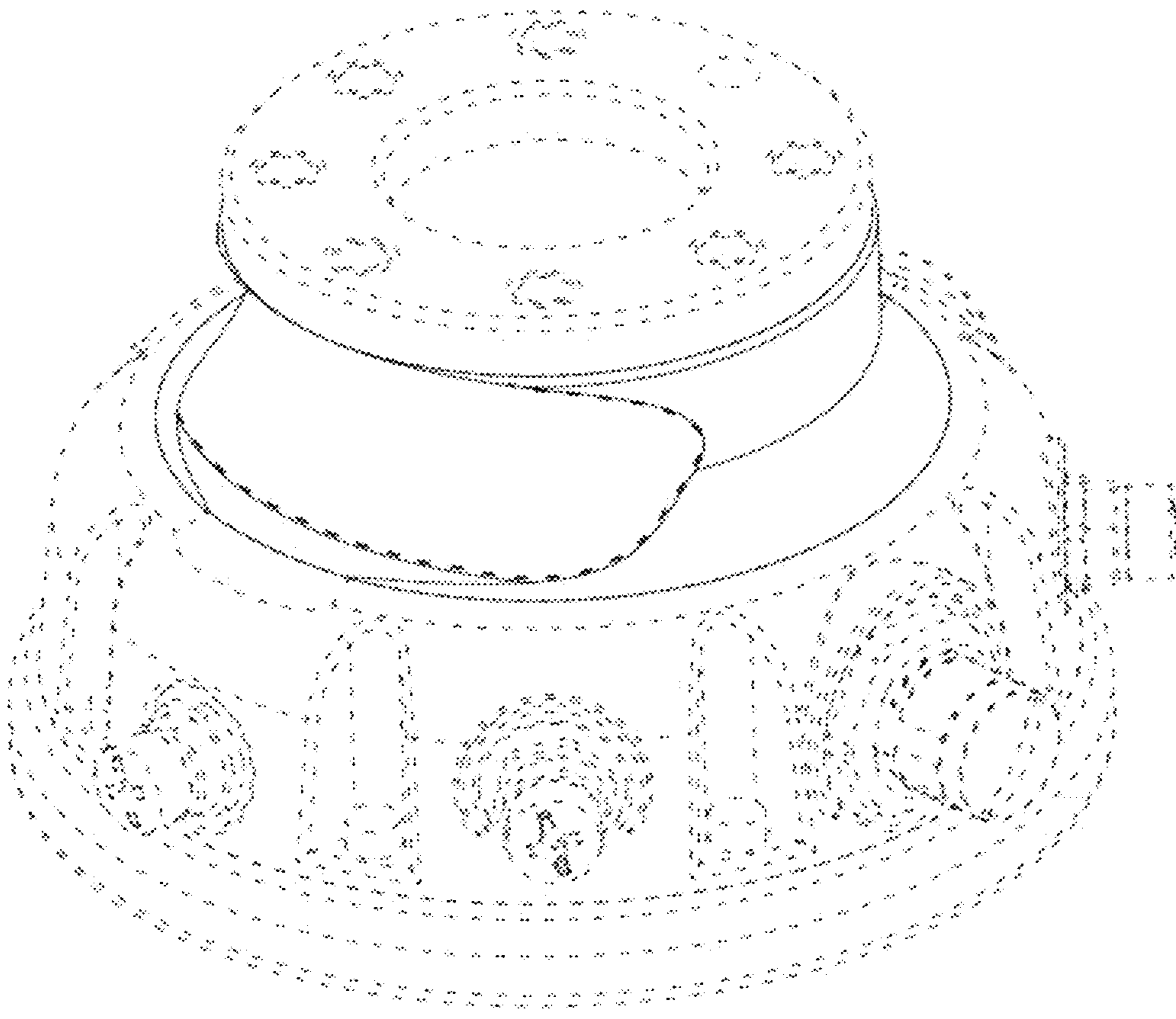


FIG. 1

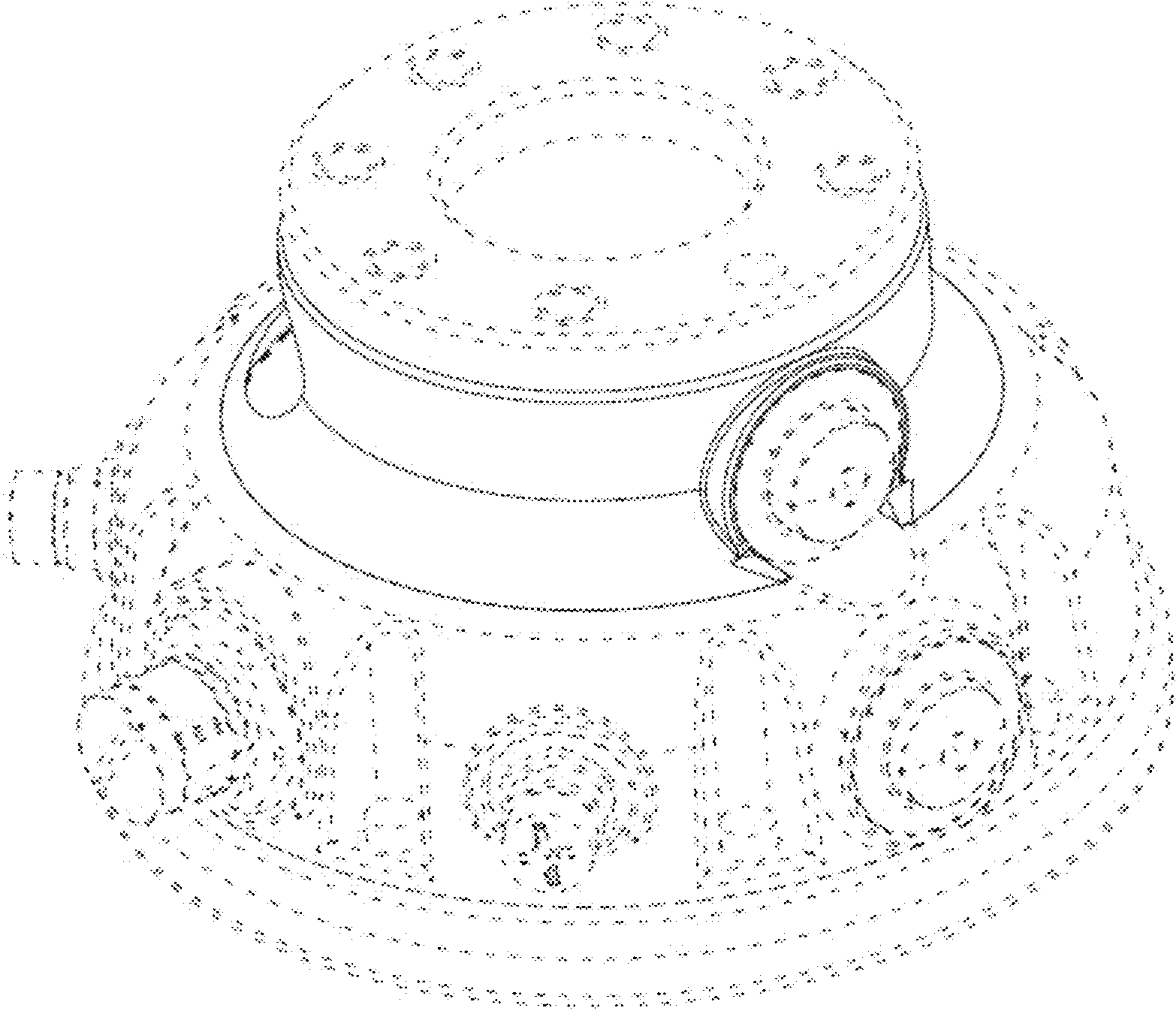
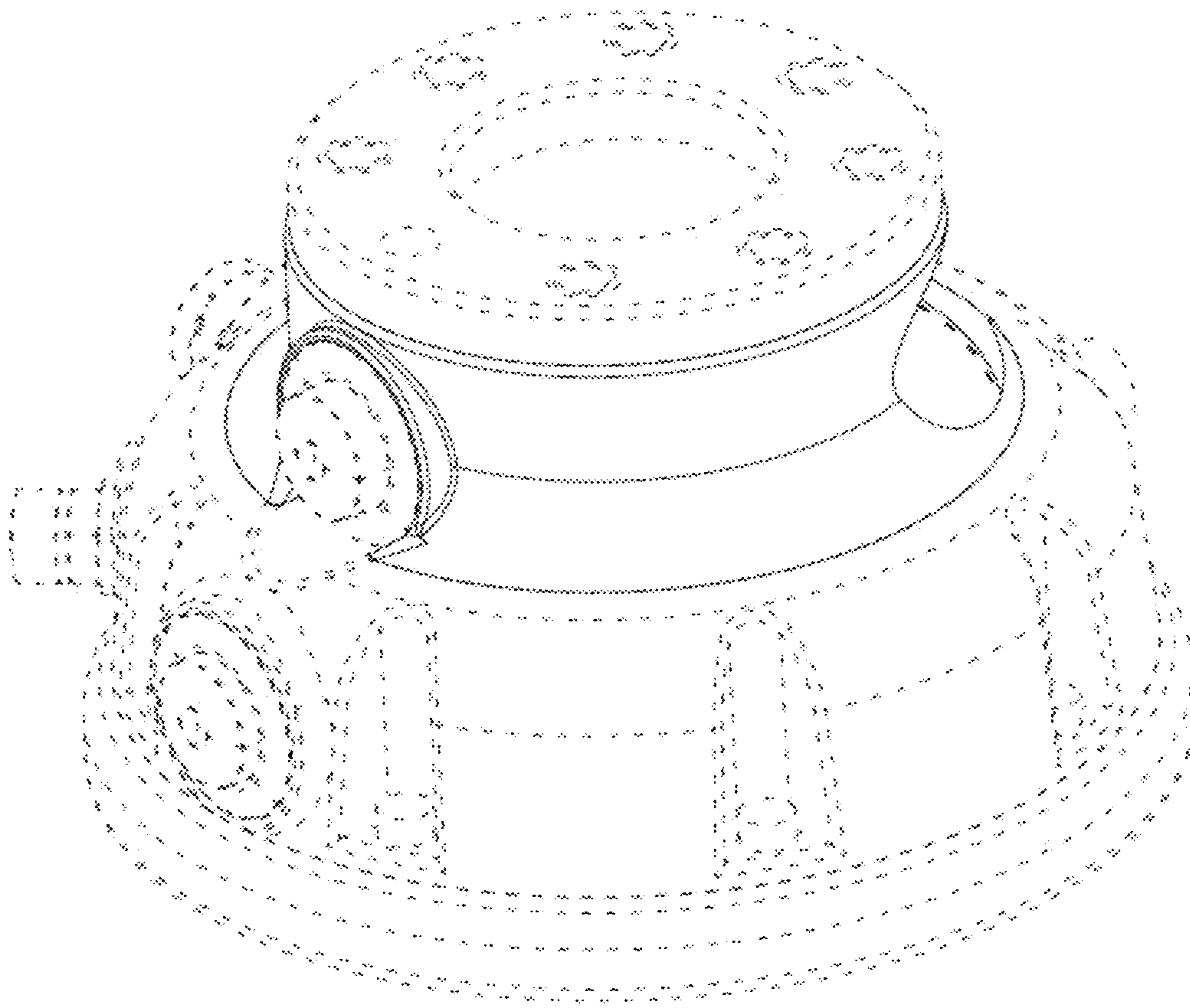
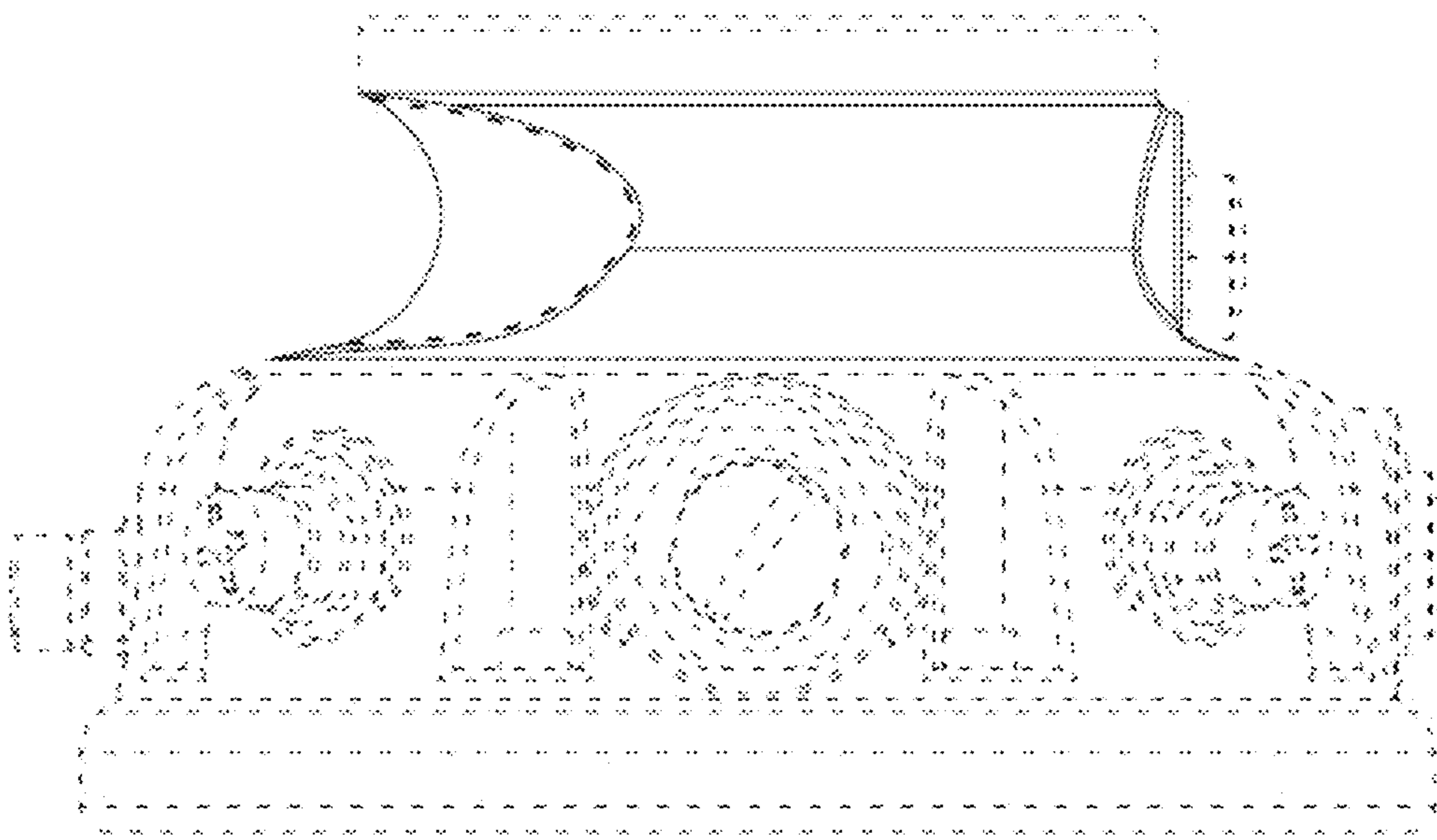


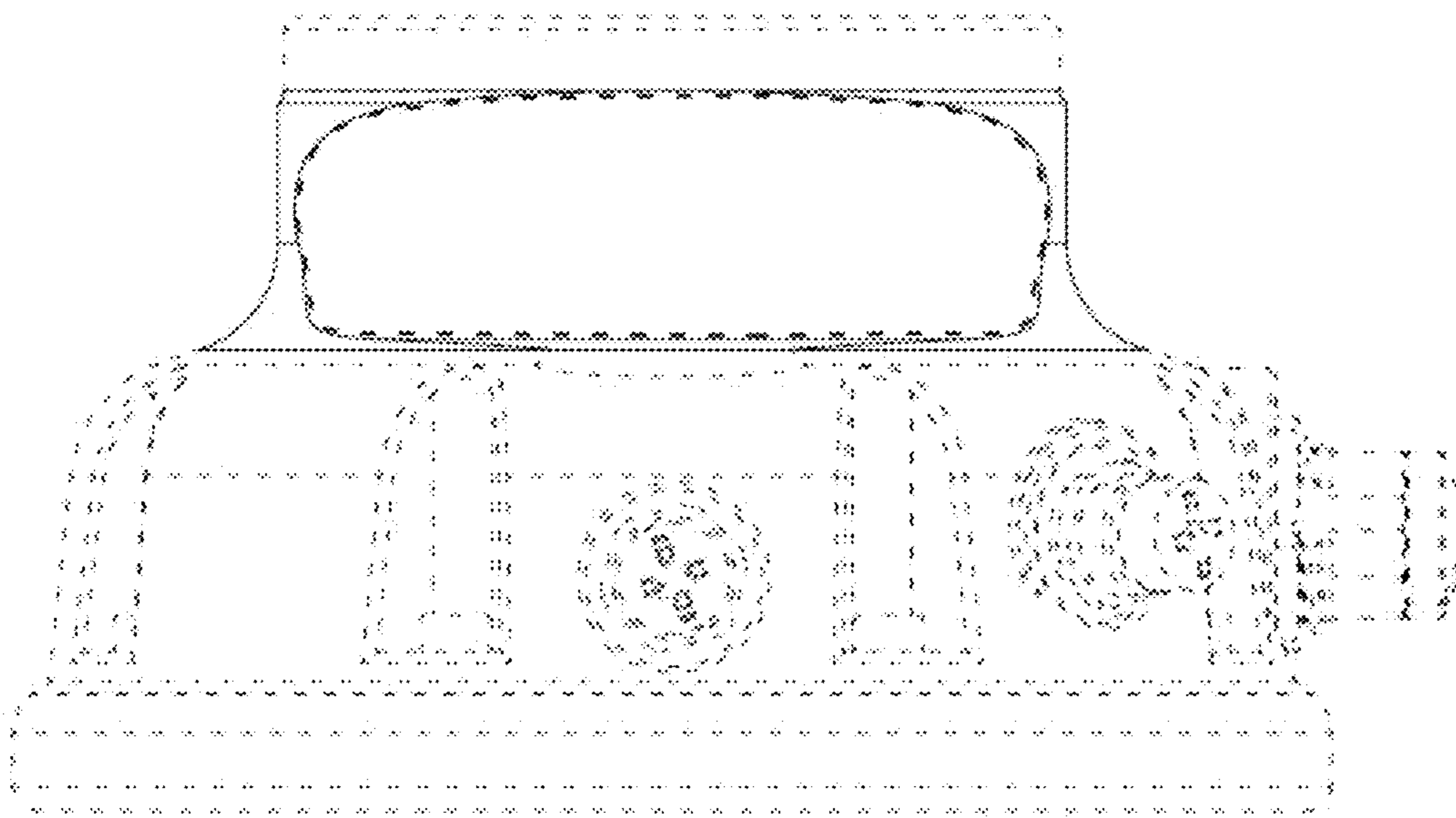
FIG. 2



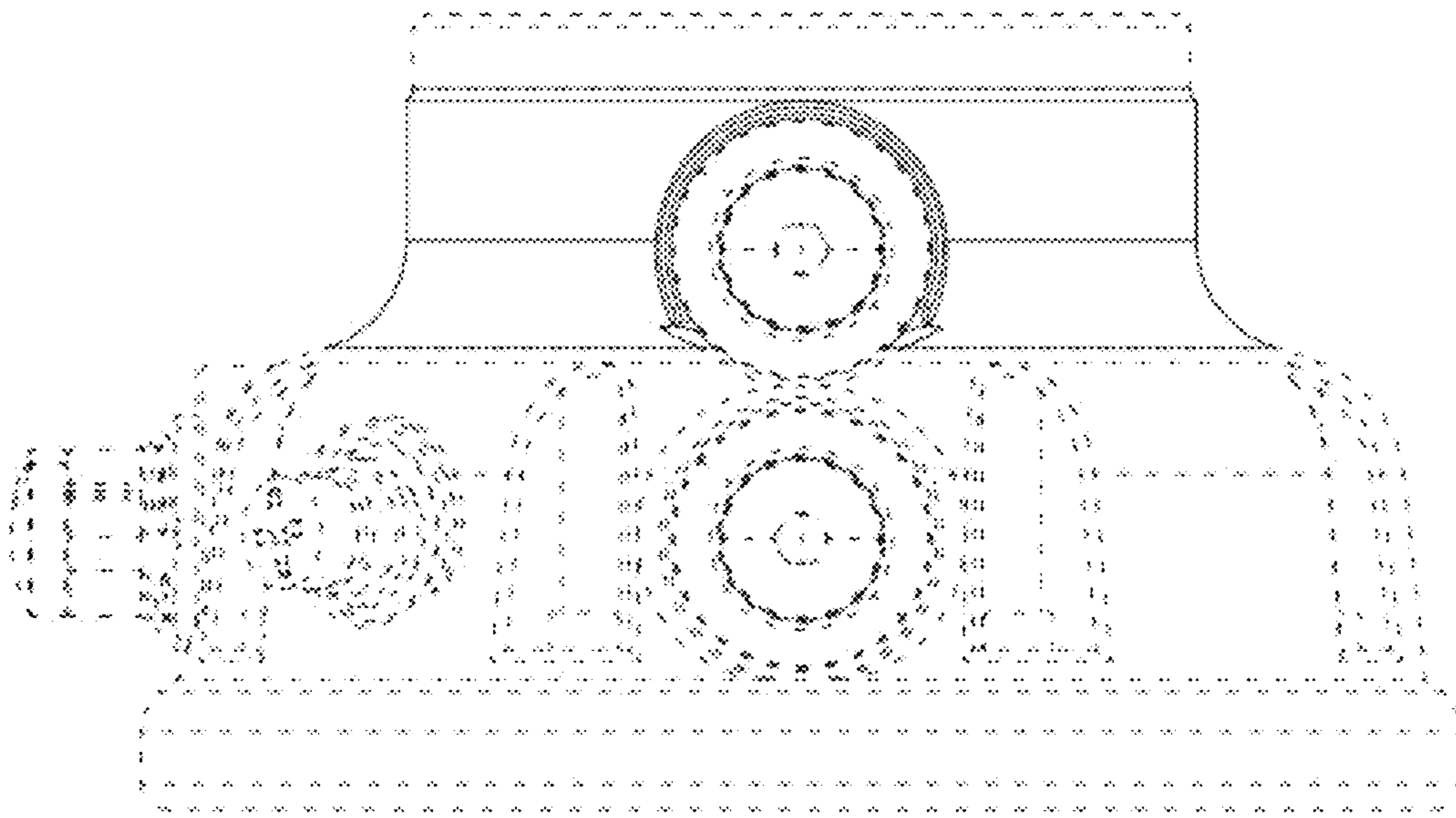
**FIG. 3**



**FIG. 4**

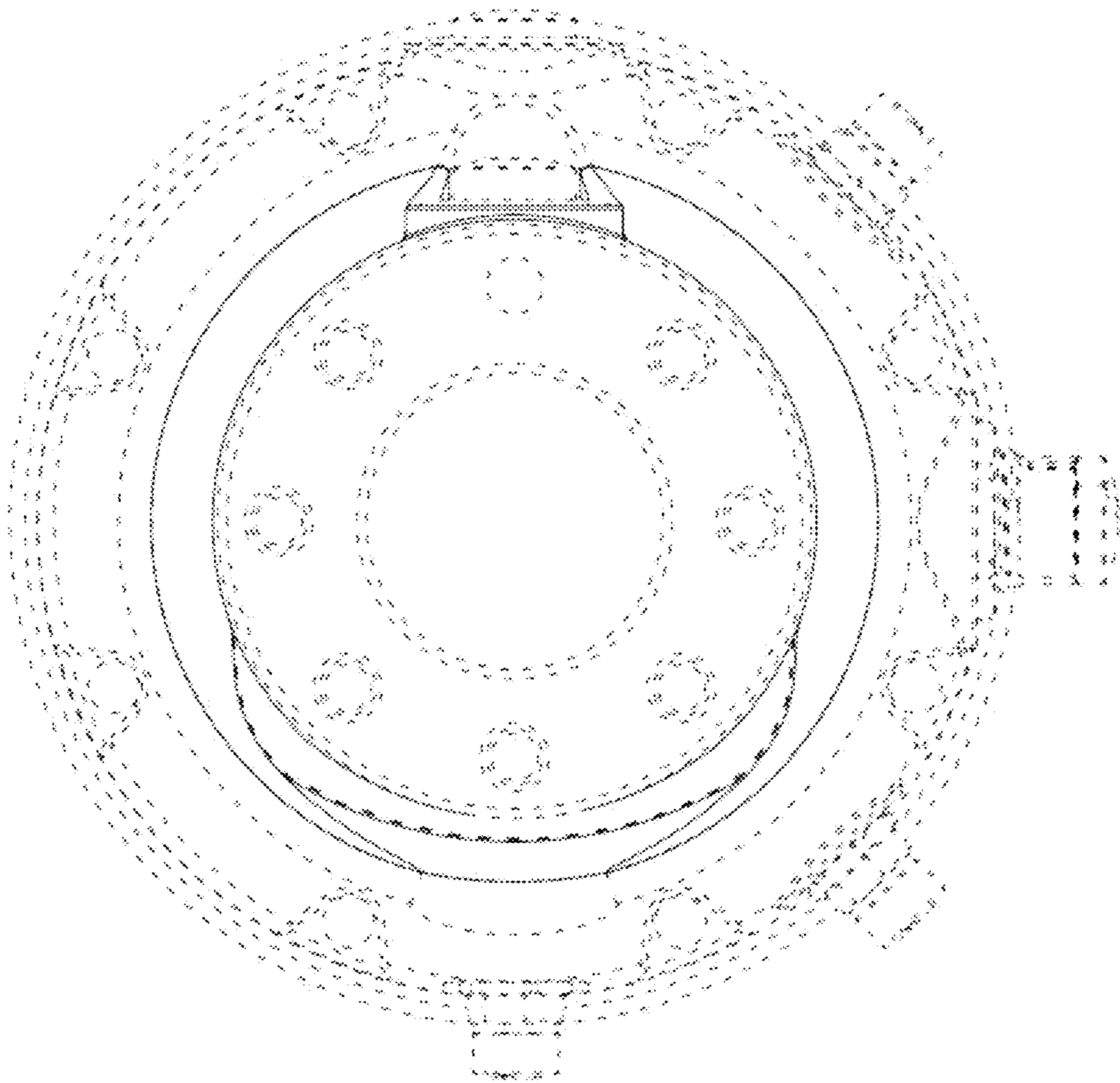


**FIG. 5**



**FIG. 6**





**FIG. 7**