



US00D875795S

(12) **United States Design Patent** (10) **Patent No.:** **US D875,795 S**  
**Schultz et al.** (45) **Date of Patent:** **\*\* Feb. 18, 2020**

(54) **VERTICAL SHAFT IMPACT CRUSHER ROTOR**

4,560,113 A 12/1985 Szalanski  
4,575,013 A 3/1986 Bartley  
4,586,663 A 5/1986 Bartley

(71) Applicant: **Superior Industries, Inc.**, Morris, MN (US)

(Continued)

(72) Inventors: **Michael Schultz**, Troutdale, OR (US);  
**Robert Ross**, Ridgefield, WA (US)

FOREIGN PATENT DOCUMENTS

AU 2016206754 A1 12/2016  
CN 204486000 U 7/2015

(73) Assignee: **Superior Industries, Inc.**, Morris, MN (US)

(Continued)

(\*\*) Term: **15 Years**

OTHER PUBLICATIONS

(21) Appl. No.: **29/609,803**

CEMCO, "Turbo Vertical Shaft Impact Crushers" Brochure, Belen, New Mexico; 2013, 20 pages.

(22) Filed: **Jul. 5, 2017**

(Continued)

**Related U.S. Application Data**

(63) Continuation-in-part of application No. PCT/US2017/040061, filed on Jun. 29, 2017.

(51) **LOC (12) Cl.** ..... **15-09**

(52) **U.S. Cl.**  
USPC ..... **D15/123**

(58) **Field of Classification Search**  
USPC ..... D8/14, 71, 75, 86, 349, 353, 354;  
D15/12-15, 17, 19, 21, 29, 122, 126, 128,  
D15/132, 138, 140, 141, 199; D9/734  
CPC .... B31D 2205/0035; B31D 2205/0047; B31D  
2205/0064; B31D 2205/007; B31D  
2205/0082; B65D 8/05  
See application file for complete search history.

*Primary Examiner* — Brett Miller

*Assistant Examiner* — Fritzgerald L Butac

(74) *Attorney, Agent, or Firm* — Todd R. Fronck; Larkin Hoffman Daily & Lindgren

(56) **References Cited**

U.S. PATENT DOCUMENTS

3,955,767 A 5/1976 Hise  
4,145,009 A \* 3/1979 Fukui ..... B02C 13/1807  
241/194  
D254,256 S \* 2/1980 Ackers ..... D15/123  
4,347,998 A 9/1982 Loree  
4,373,678 A 2/1983 Reitter

(57) **CLAIM**

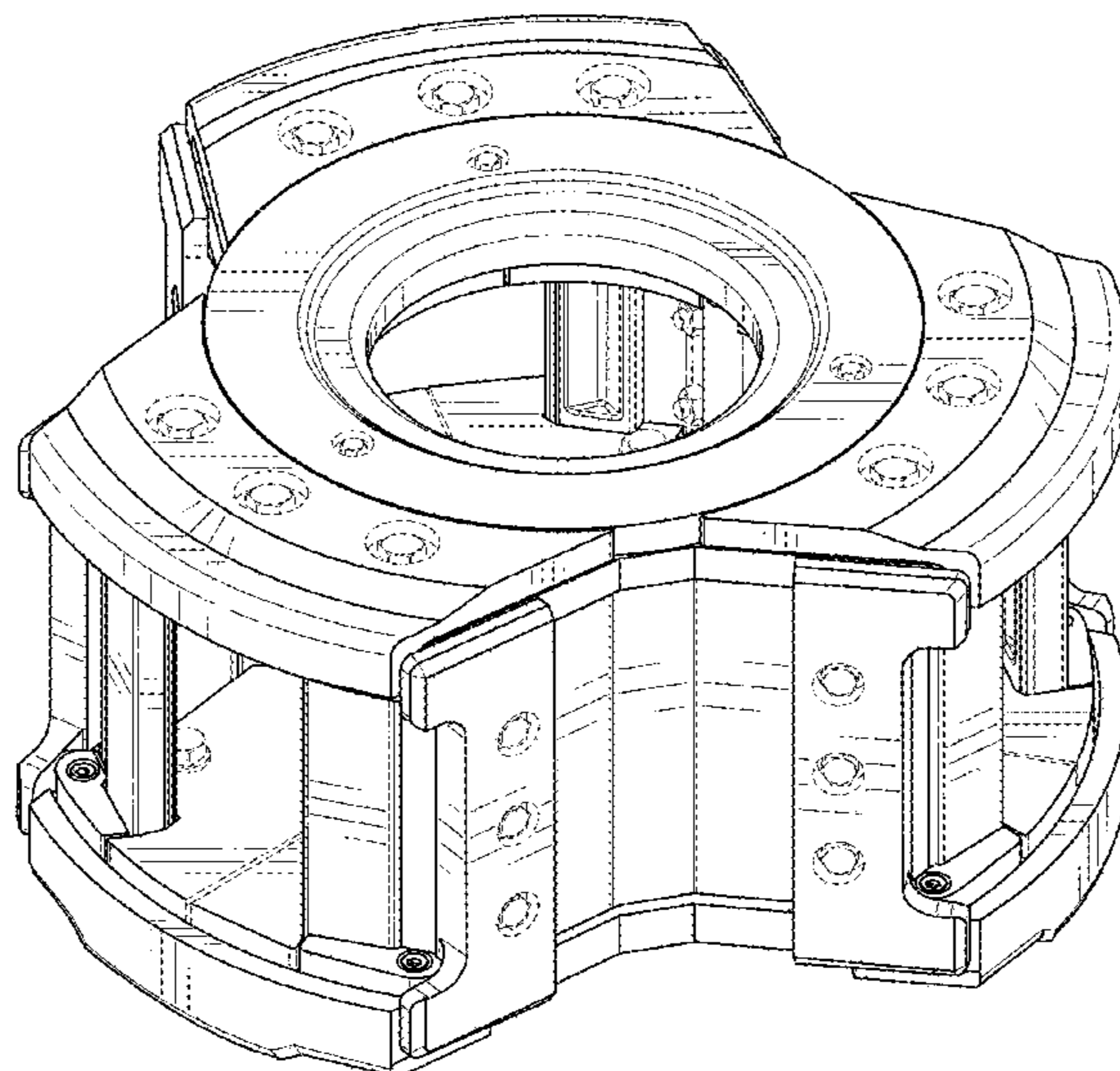
The ornamental design for a vertical shaft impact crusher rotor, as shown and described.

**DESCRIPTION**

FIG. 1 is a perspective view of a vertical shaft impact crusher rotor showing our new design; FIG. 2 is a front elevation view thereof; FIG. 3 is a rear elevation view thereof; FIG. 4 is a left elevation view thereof; FIG. 5 is a right elevation view thereof; FIG. 6 is a plan view thereof; FIG. 7 is a bottom view thereof; and, FIG. 8 is a sectional view along the section FIG. 8-FIG. 8 of FIG. 3.

The broken lines shown in the drawings illustrate portions of the vertical shaft impact crusher rotor that form no part of the claimed design.

**1 Claim, 8 Drawing Sheets**



(56)

References Cited

U.S. PATENT DOCUMENTS

4,896,838 A 1/1990 Vendelin et al.  
 4,915,309 A 4/1990 Schmidt  
 4,940,188 A 7/1990 Rodriguez et al.  
 5,029,761 A 7/1991 Bechler  
 5,323,978 A 6/1994 Watajima  
 5,806,774 A 9/1998 Vis  
 5,829,698 A 11/1998 Canada  
 5,911,370 A 6/1999 Lusty  
 5,954,282 A 9/1999 Britzke et al.  
 5,976,043 A 11/1999 Hise  
 6,003,796 A 12/1999 James  
 6,382,536 B1 5/2002 Lusty et al.  
 6,405,953 B1\* 6/2002 Warren ..... B02C 13/1814  
 164/98  
 6,416,000 B1 7/2002 Lusty et al.  
 6,588,692 B1 7/2003 Poncin  
 D491,586 S 6/2004 Dallimore et al.  
 D492,252 S\* 6/2004 Su ..... D13/112  
 7,257,876 B2 8/2007 Dallimore  
 7,300,009 B2 11/2007 Dallimore et al.  
 7,322,536 B2 1/2008 Garvin et al.  
 7,350,725 B2 4/2008 Dallimore et al.  
 7,530,512 B2 5/2009 Dallimore et al.  
 7,677,484 B2 3/2010 Dallimore et al.  
 7,726,597 B2 6/2010 Bentley  
 7,823,821 B2 11/2010 Strauss et al.  
 7,841,551 B2 11/2010 Potter et al.  
 7,854,407 B2 12/2010 Potter et al.  
 D636,118 S\* 4/2011 Kim ..... D26/138  
 7,942,357 B2 5/2011 Dallimore et al.  
 8,020,791 B2 9/2011 Knueven et al.  
 8,025,247 B2 9/2011 Dallimore et al.  
 8,042,756 B2 10/2011 Dallimore et al.  
 8,104,704 B2 7/2012 Strauss et al.  
 8,393,820 B2 3/2013 Rodriguez  
 8,418,945 B2 4/2013 Kjaerran et al.  
 8,561,926 B2 10/2013 Dallimore et al.  
 8,651,407 B2 2/2014 Berton  
 D724,632 S\* 3/2015 Gunnarsson ..... D15/123  
 D724,633 S\* 3/2015 Foster ..... D15/123  
 8,967,516 B2 3/2015 Dallimore et al.  
 D738,178 S\* 9/2015 Eisinger ..... D8/70  
 D744,555 S\* 12/2015 Suzuki ..... D15/138  
 D745,572 S\* 12/2015 Bergman ..... D15/28  
 D750,142 S\* 2/2016 Suzuki ..... D15/138  
 D766,334 S\* 9/2016 Bergman ..... D15/28  
 D768,844 S\* 10/2016 Koseoglu ..... D23/386  
 D781,935 S\* 3/2017 Larsson ..... D15/123  
 D795,606 S\* 8/2017 Cudworth ..... D6/515

D800,187 S\* 10/2017 Larsson ..... D15/138  
 D803,283 S\* 11/2017 Rashkovsky ..... D15/138  
 D804,436 S\* 12/2017 Tauchi ..... D15/123  
 D815,160 S\* 4/2018 Neubauer ..... B02C 13/185  
 D15/123  
 D816,126 S\* 4/2018 Bergman ..... D13/112  
 D847,224 S\* 4/2019 Schultz ..... B02C 13/185  
 D15/123  
 D849,072 S\* 5/2019 Allbritten ..... D15/138  
 D855,707 S\* 8/2019 Ross ..... D21/487  
 10,379,372 B2\* 8/2019 De Beule ..... G02B 21/362  
 2007/0108327 A1\* 5/2007 Rodriguez ..... B02C 13/1842  
 241/275  
 2008/0121746 A1\* 5/2008 Hall ..... B02C 13/1842  
 241/191  
 2008/0265075 A1\* 10/2008 Dallimore ..... B02C 13/1835  
 241/300  
 2010/0025512 A1 2/2010 Liimatainen et al.  
 2010/0090045 A1\* 4/2010 Dallimore ..... B02C 13/1807  
 241/222  
 2015/0048191 A1 2/2015 Clint et al.  
 2015/0053805 A1\* 2/2015 Hackworth ..... B02C 13/1835  
 241/275  
 2017/0106374 A1 4/2017 Ha  
 2017/0209866 A1 7/2017 Forsberg et al.

FOREIGN PATENT DOCUMENTS

CN 205182849 U 4/2016  
 CN 205613488 U 10/2016  
 CN 104722376 B 5/2017  
 CN 106622490 A 5/2017  
 EP 3156129 A4 2/2018  
 WO 2011128854 A2 10/2011

OTHER PUBLICATIONS

ISC, "Vertical Shaft Impact (VSI) Crushers" Presentation Material, Spokane, Washington; 2010, 76 pages.  
 METSO, "Barmac B-series VSI, Wear Parts Application Guide" Brochure; 2012, 16 pages.  
 REMCO, "Crushers—3rd Edition" Brochure, Livermore, California; 2006, 22 pages.  
 SANDVIK, "VSI Rotors CV200 Series" Brochure; 2011, 4 pages.  
 Spokane Industries, "Ultra Wear-Resistant Solutions" Brochure; 2011, 2 pages.  
 Stedman, "Slam Vertical Shaft Impactors" Brochure, Aurora, Indiana; 2011, 3 pages.  
 Terex, "Vertical Shaft Impact Crushers" Brochure; 2011, 8 pages.

\* cited by examiner

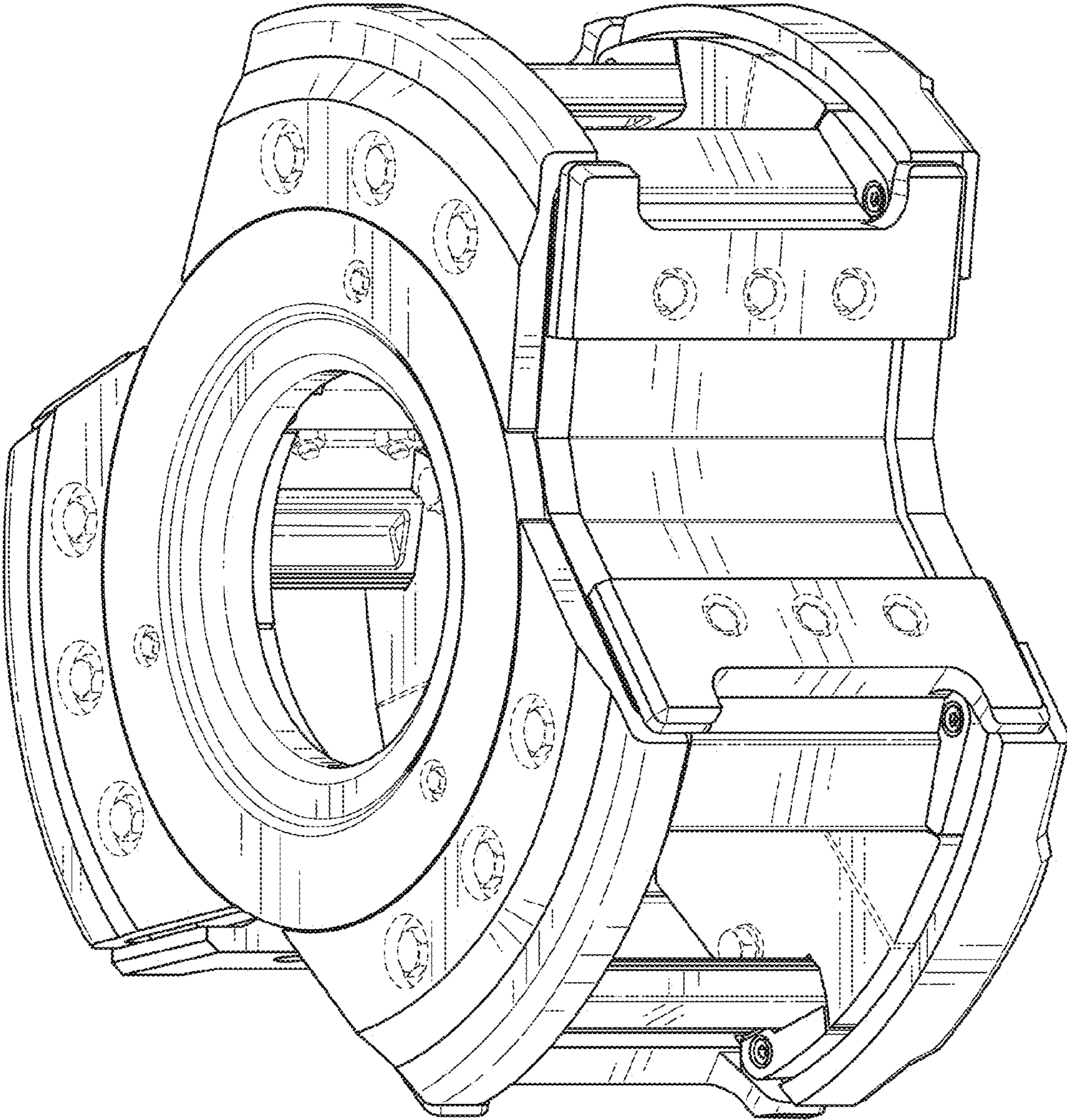


FIG. 1

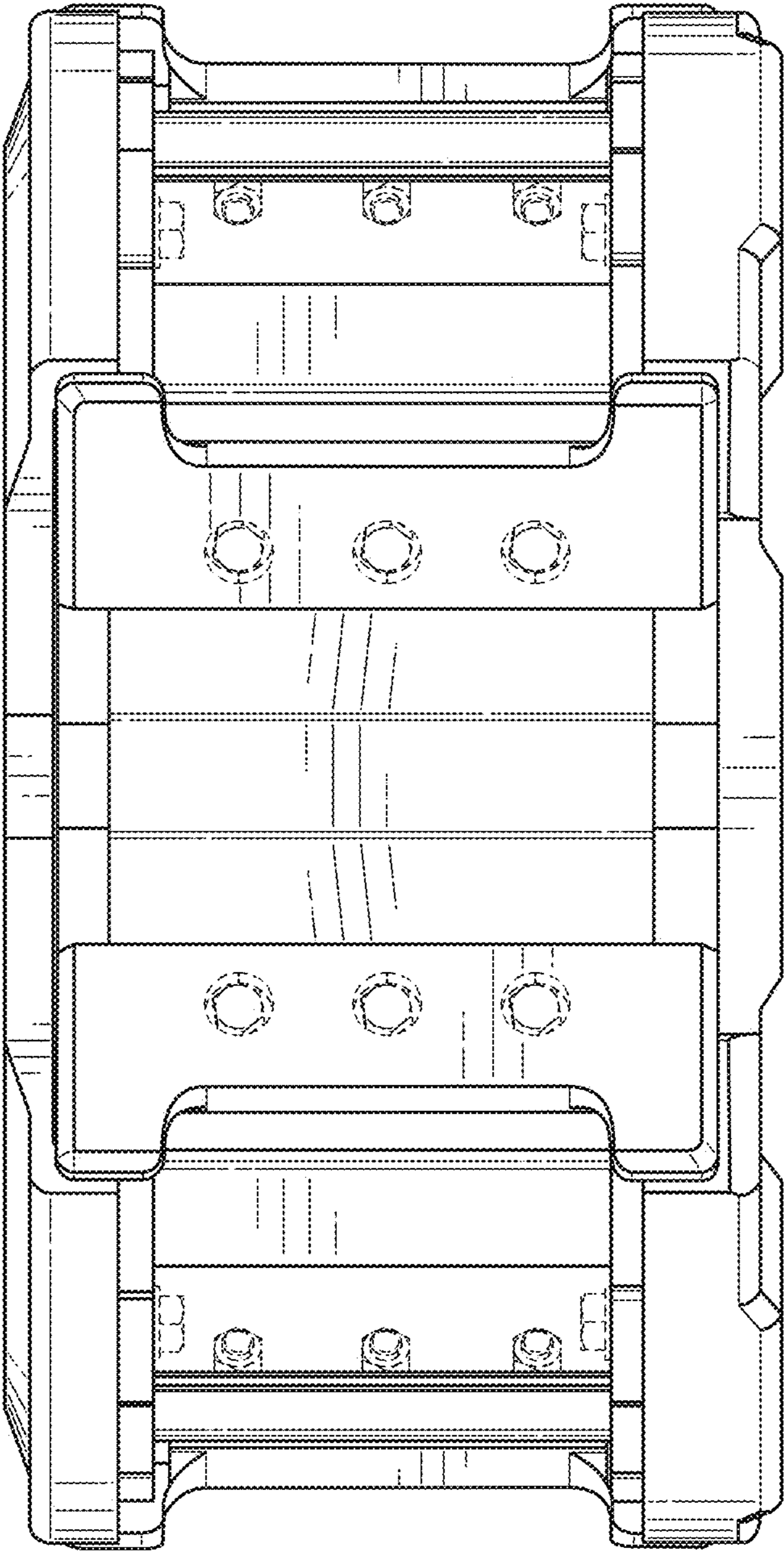


FIG. 2

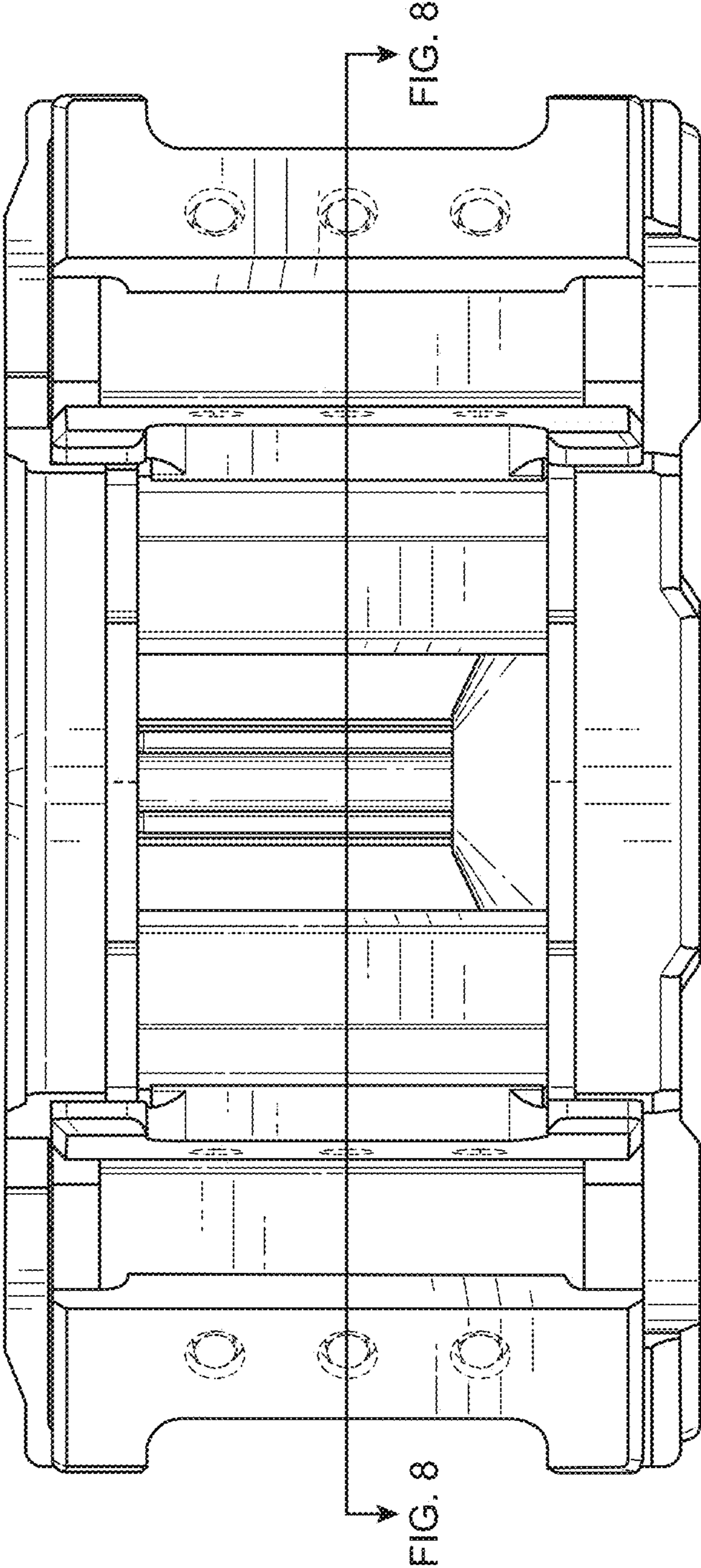


FIG. 3

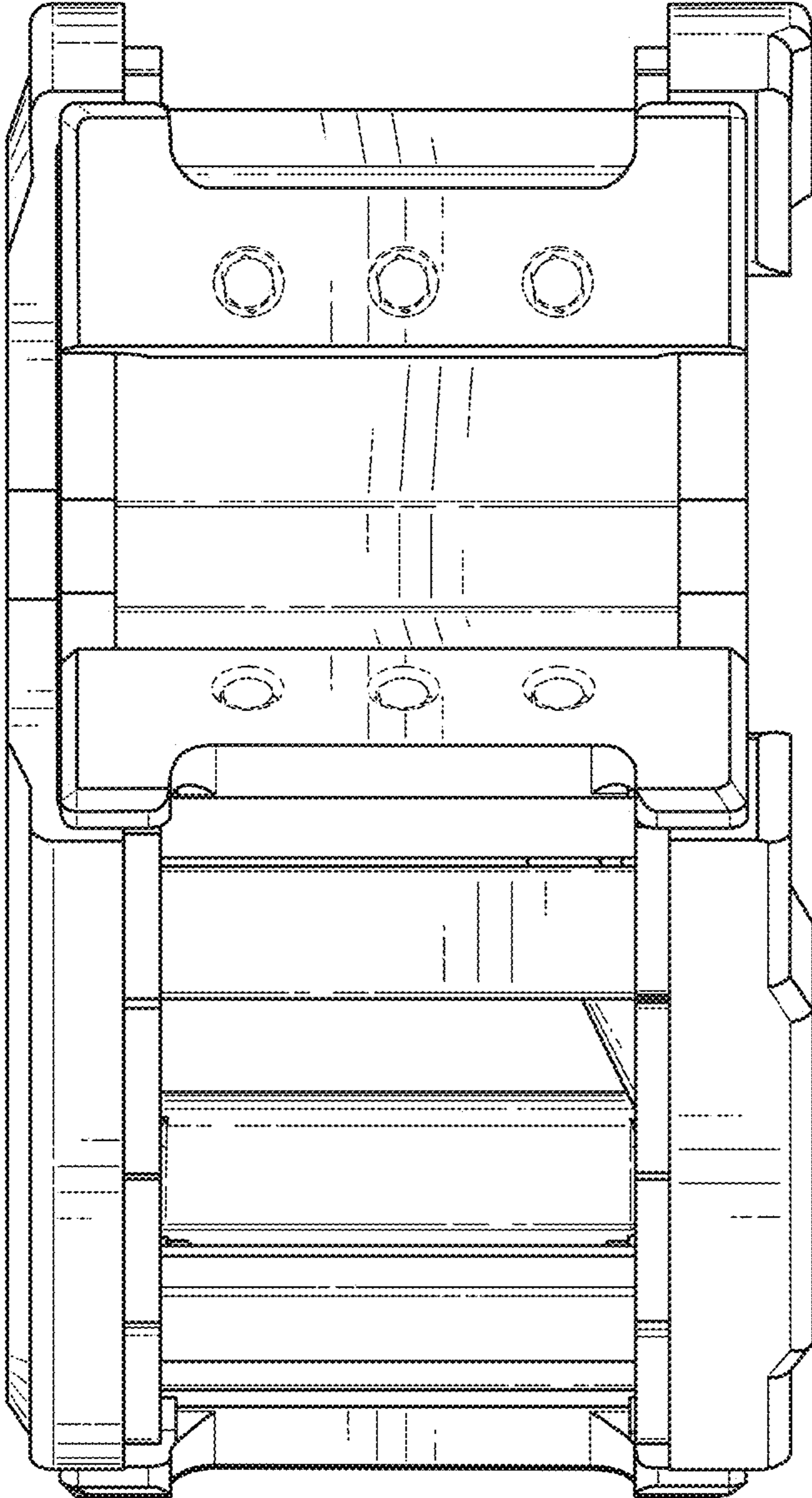


FIG. 4

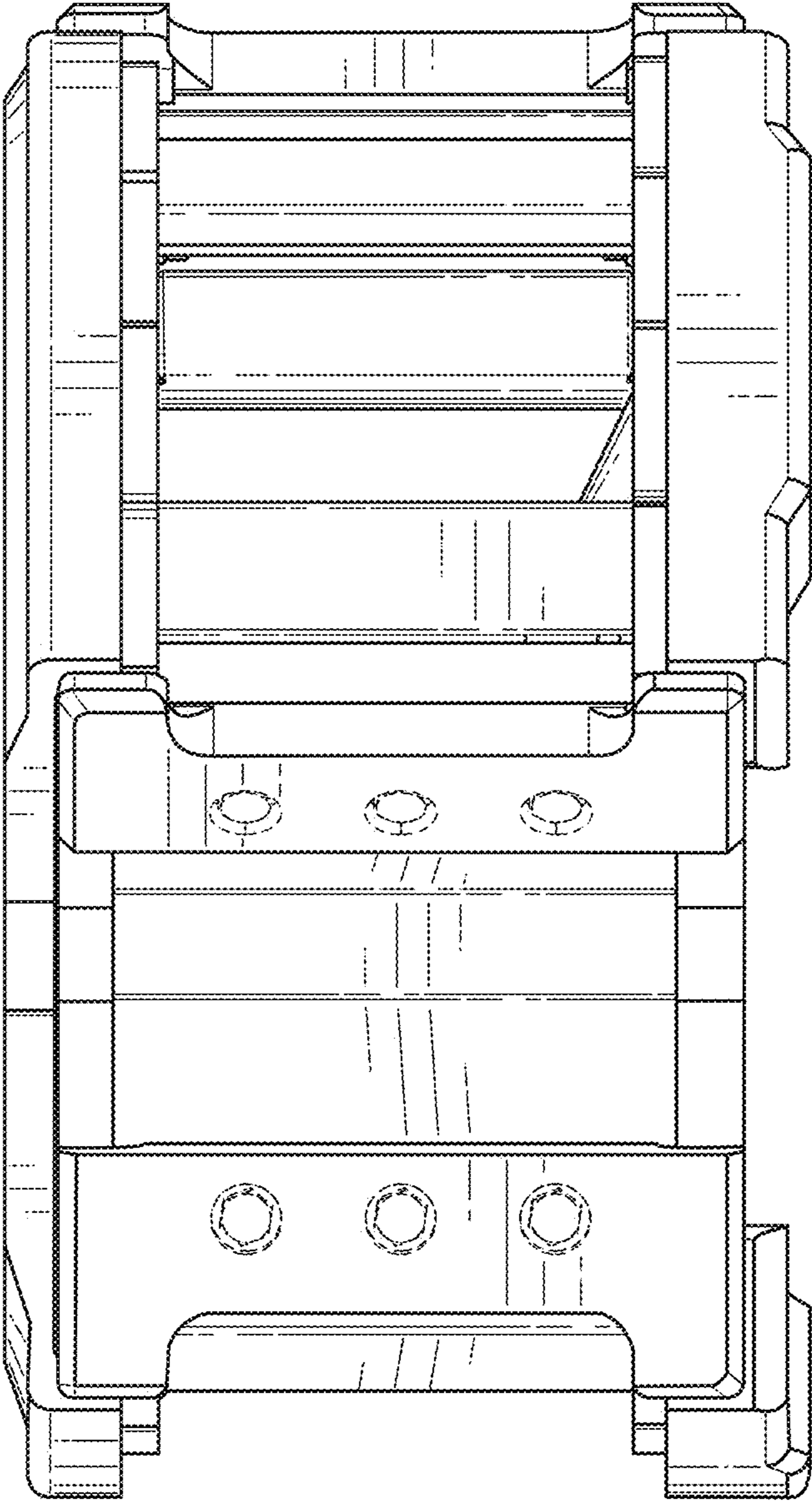


FIG. 5

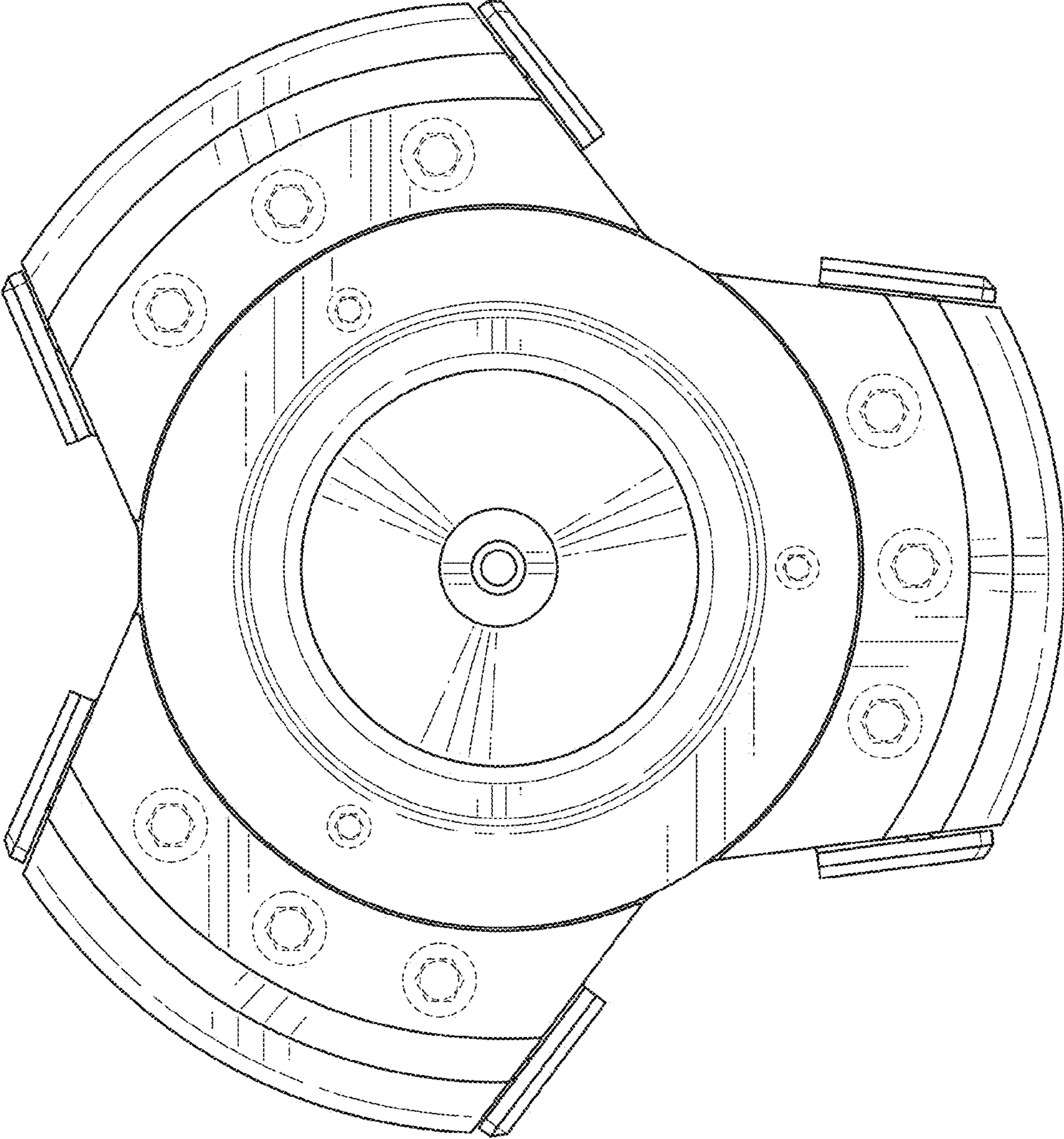


FIG. 6



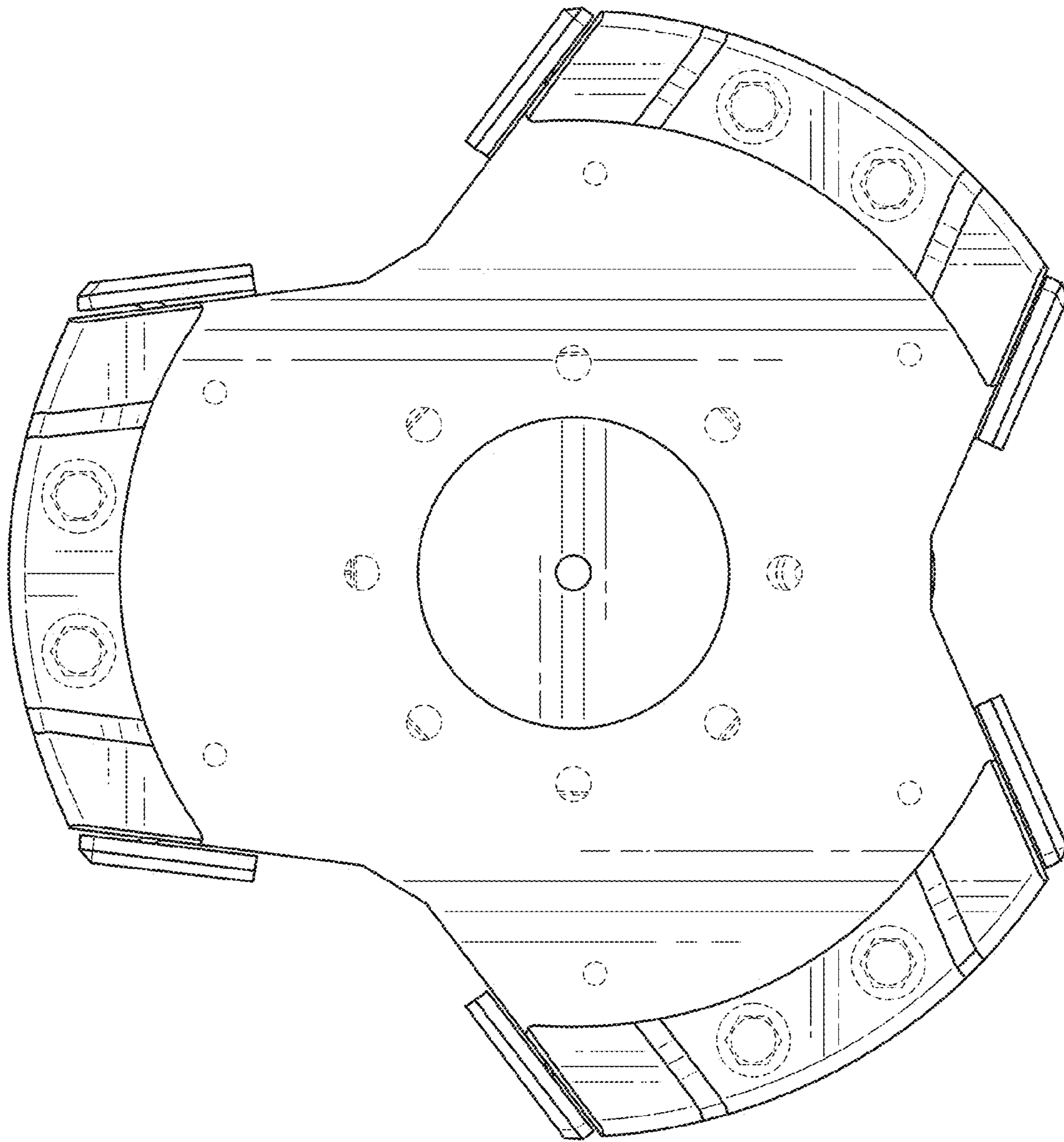


FIG. 7

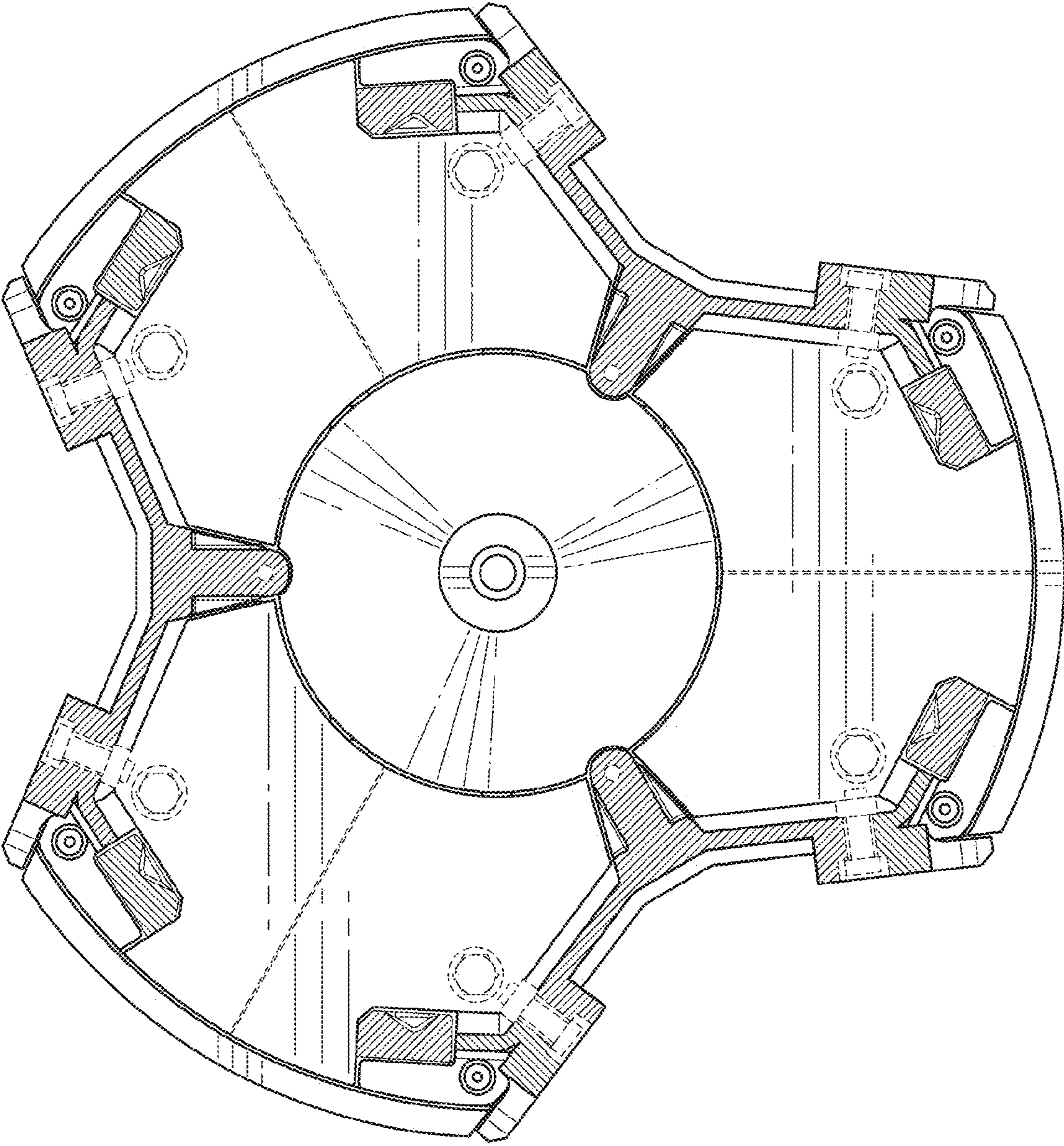


FIG. 8