



US00D875793S

(12) **United States Design Patent** (10) **Patent No.:** **US D875,793 S**  
**Bradley** (45) **Date of Patent:** **\*\* \*Feb. 18, 2020**

(54) **REFRIGERATOR DOOR**  
(71) Applicant: **Danby Products Limited, Guelph (CA)**  
(72) Inventor: **Oliver Bradley, Guelph (CA)**  
(73) Assignee: **DANBY PRODUCTS LIMITED, Guelph (CA)**  
(\* ) Notice: This patent is subject to a terminal disclaimer.

D474,076 S \* 5/2003 Fromm ..... D15/81  
D474,374 S \* 5/2003 Fromm ..... D15/81  
D474,375 S \* 5/2003 Fromm ..... D15/81  
D492,705 S \* 7/2004 King ..... D15/81  
D501,488 S \* 2/2005 Sato ..... D15/81  
D501,856 S \* 2/2005 Okamoto ..... D15/81  
D653,682 S \* 2/2012 Herning ..... D15/80  
D752,660 S \* 3/2016 Chen ..... D15/81  
D775,245 S \* 12/2016 Seo ..... D15/81  
D800,799 S \* 10/2017 Feng ..... D15/81  
D807,929 S \* 1/2018 Feng ..... D15/81  
D846,600 S \* 4/2019 Guo ..... D15/81  
D847,214 S \* 4/2019 Guo ..... D15/81

(\*\*) Term: **15 Years**

\* cited by examiner

(21) Appl. No.: **29/640,785**

*Primary Examiner* — Khawaja Anwar

(22) Filed: **Mar. 16, 2018**

(74) *Attorney, Agent, or Firm* — Ralph E. Jocke; Walker & Jocke

(51) **LOC (12) Cl.** ..... **15-07**

(52) **U.S. Cl.**  
USPC ..... **D15/91; D15/81**

(57) **CLAIM**

(58) **Field of Classification Search**

An ornamental design for a refrigerator door, as shown and described.

USPC ..... D15/79-91  
CPC ..... F25D 17/065; F25D 2317/061; F25D 2323/023; F25D 23/028; F25D 23/126; F25D 11/02; F25D 2201/126; F25D 2201/1262; F25D 2201/14; F25D 2323/021; F25D 23/02; F25D 23/025; F25D 23/04; F25D 23/062; F25D 23/064; F25D 23/065; F25D 23/067; F25D 2400/361; F25D 25/025; F25D 25/04; F25D 29/005; F25D 29/006; F25D 31/005; F25D 3/06

**DESCRIPTION**

See application file for complete search history.

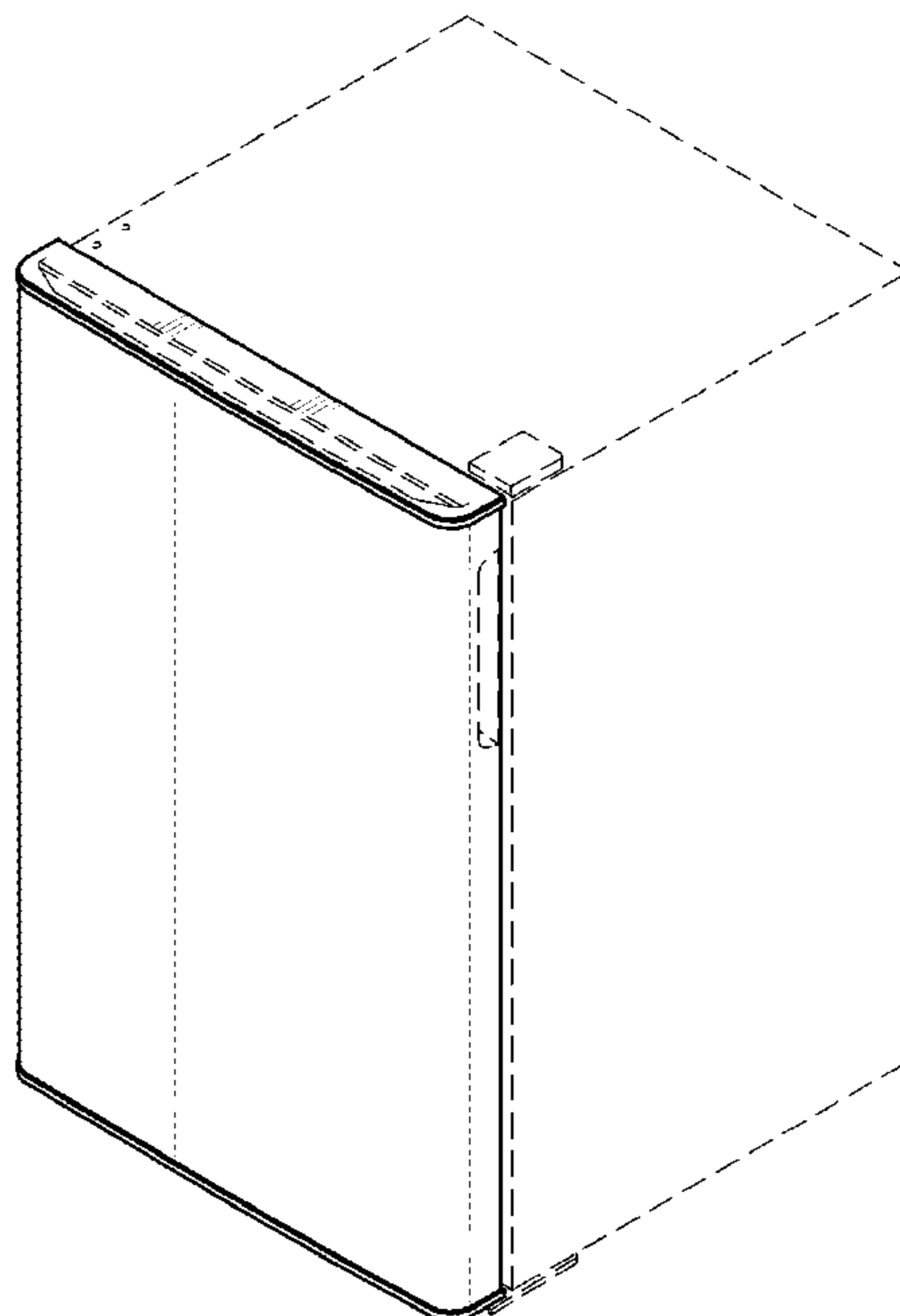
FIG. 1 is a front top right perspective view showing my new design for a refrigerator door.  
FIG. 2 is a front bottom right perspective view thereof.  
FIG. 3 is a left side view thereof.  
FIG. 4 is a front view thereof.  
FIG. 5 is a right side view thereof.  
FIG. 6 is a back side view thereof.  
FIG. 7 is a top side view thereof; and,  
FIG. 8 is a bottom side view thereof.  
The broken lines in the drawings depict portions of the refrigerator door that form no part of the claimed design.

(56) **References Cited**

**U.S. PATENT DOCUMENTS**

D422,286 S \* 4/2000 Choi ..... D15/81  
D468,325 S \* 1/2003 Lorek ..... D15/81

**1 Claim, 8 Drawing Sheets**



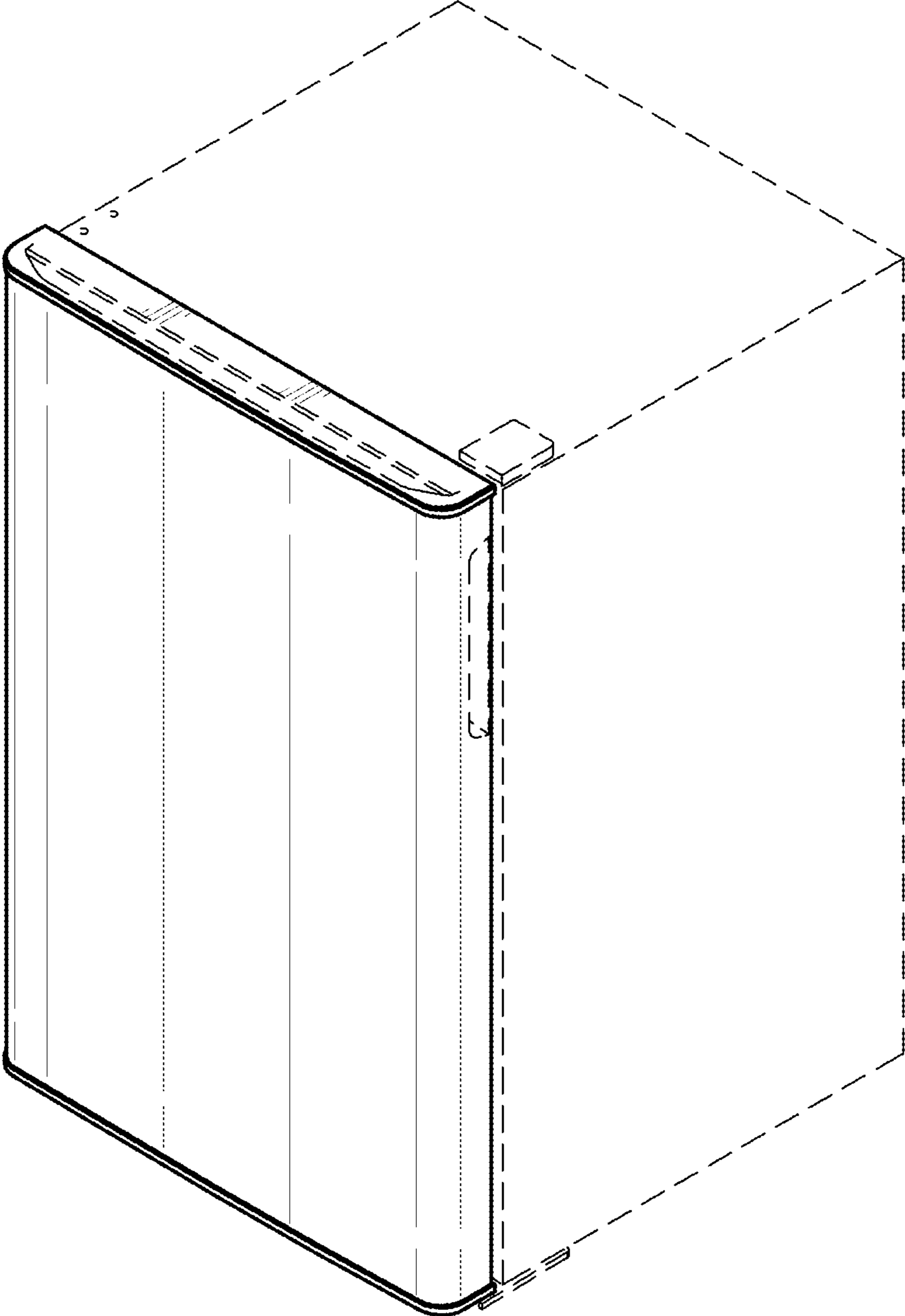


FIG. 1

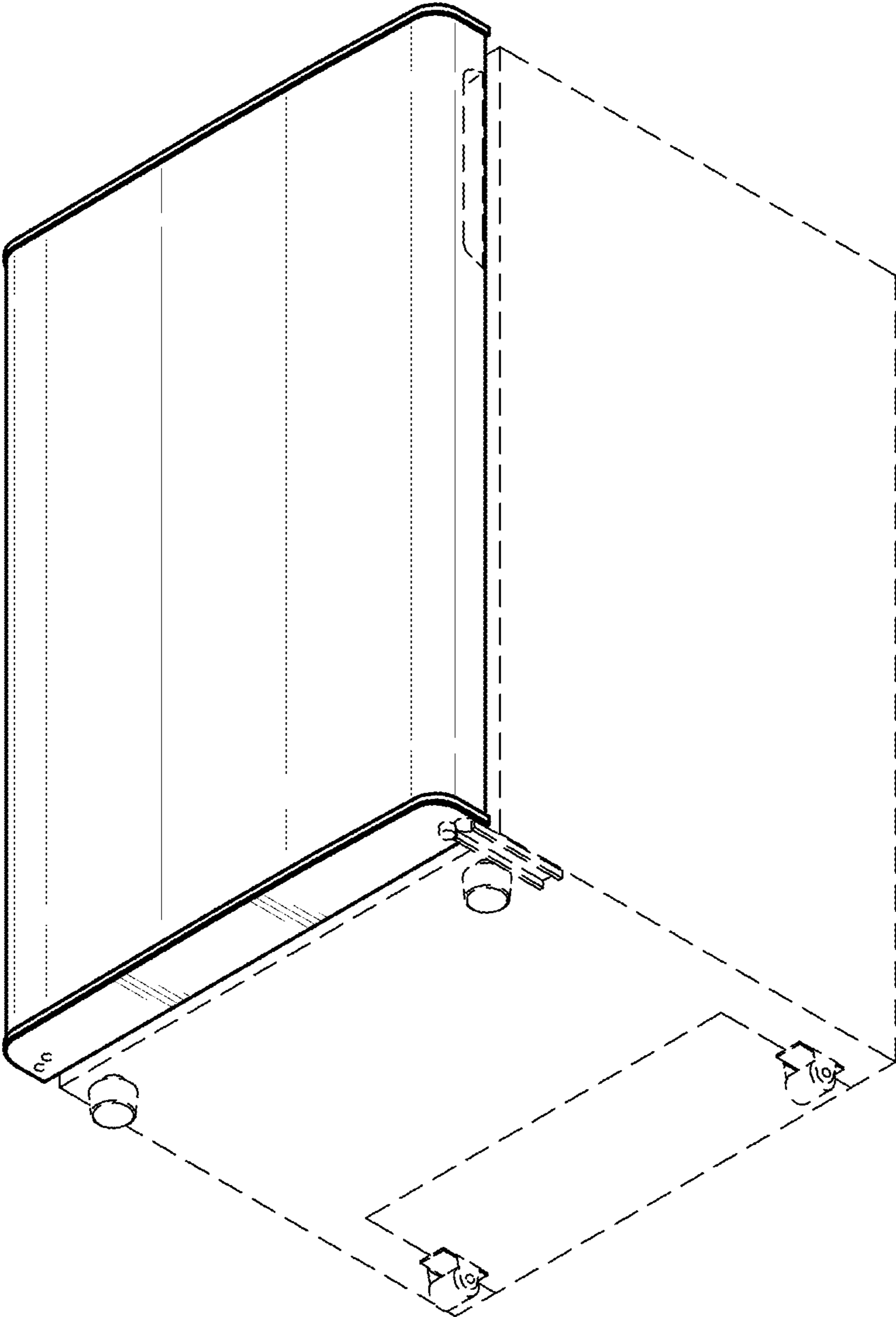


FIG. 2

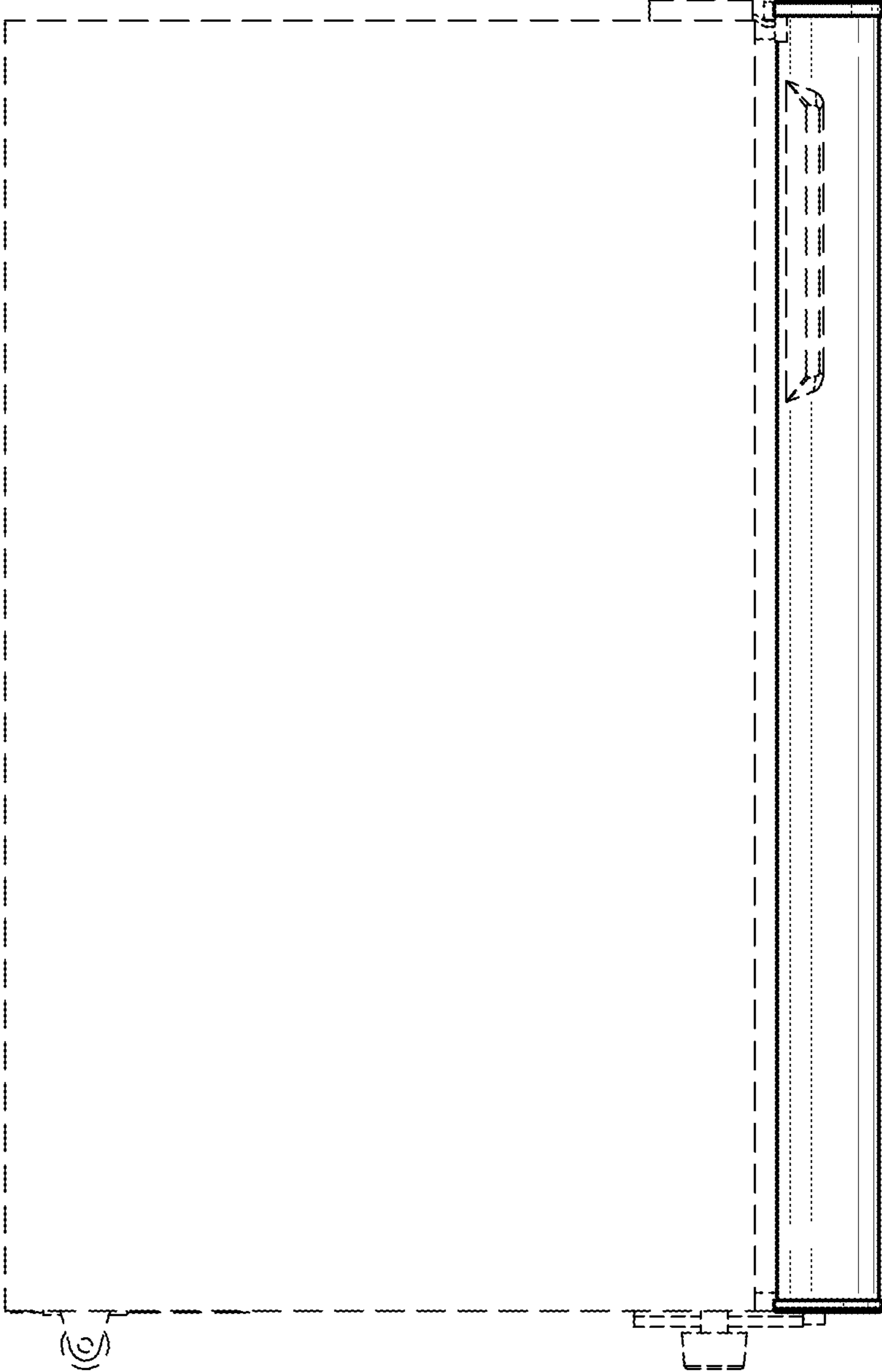


FIG. 3

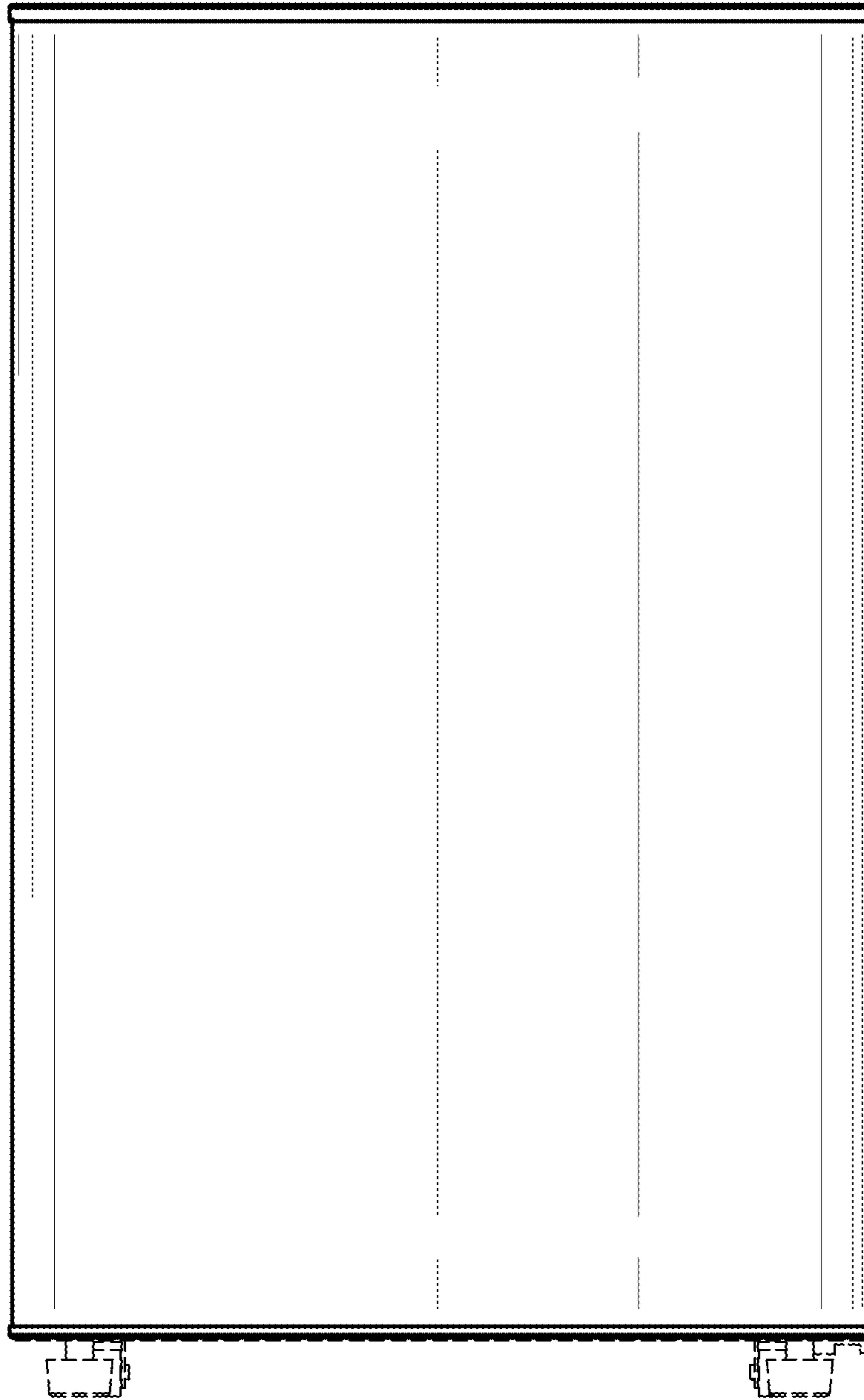


FIG. 4

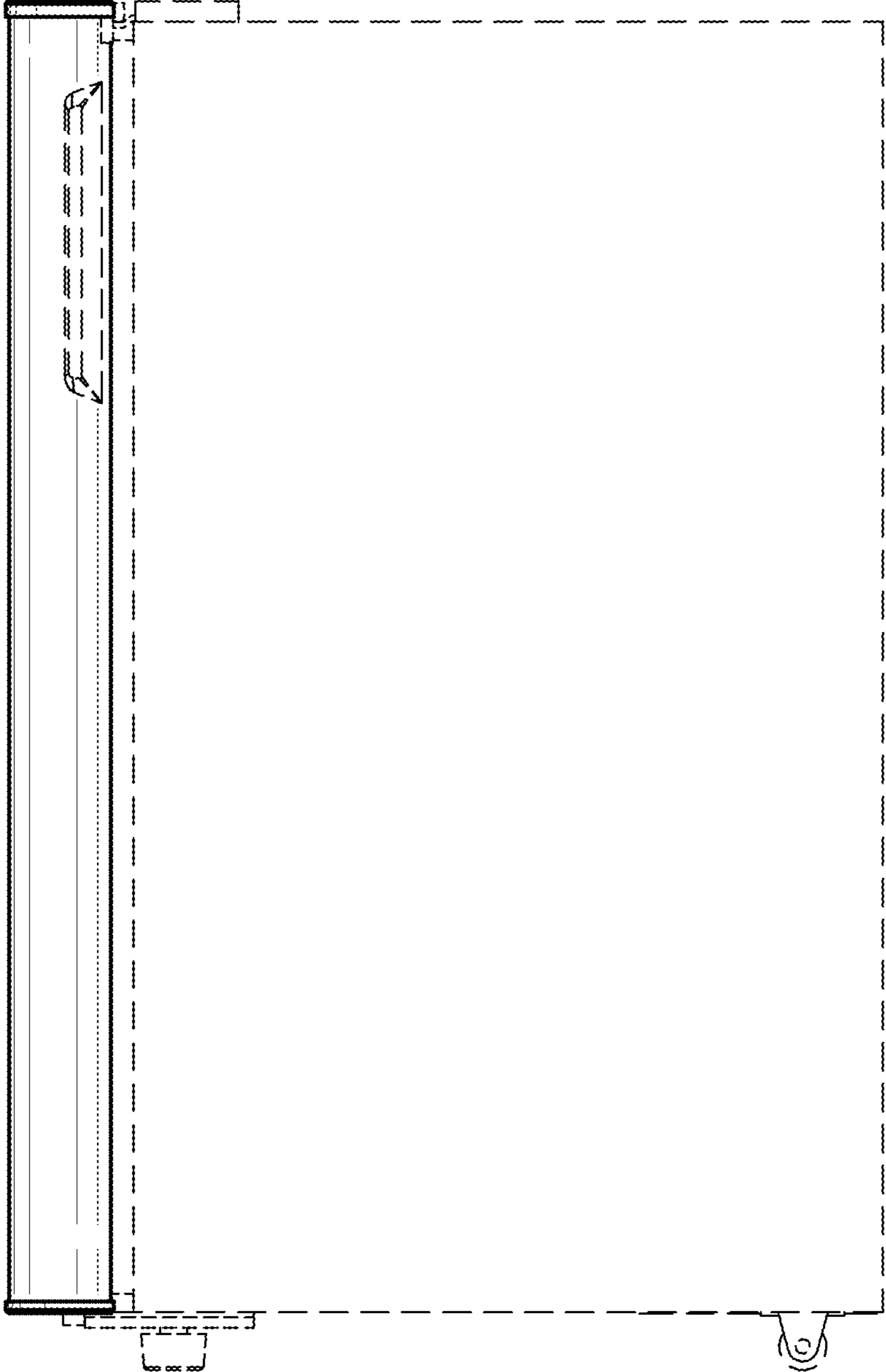


FIG. 5

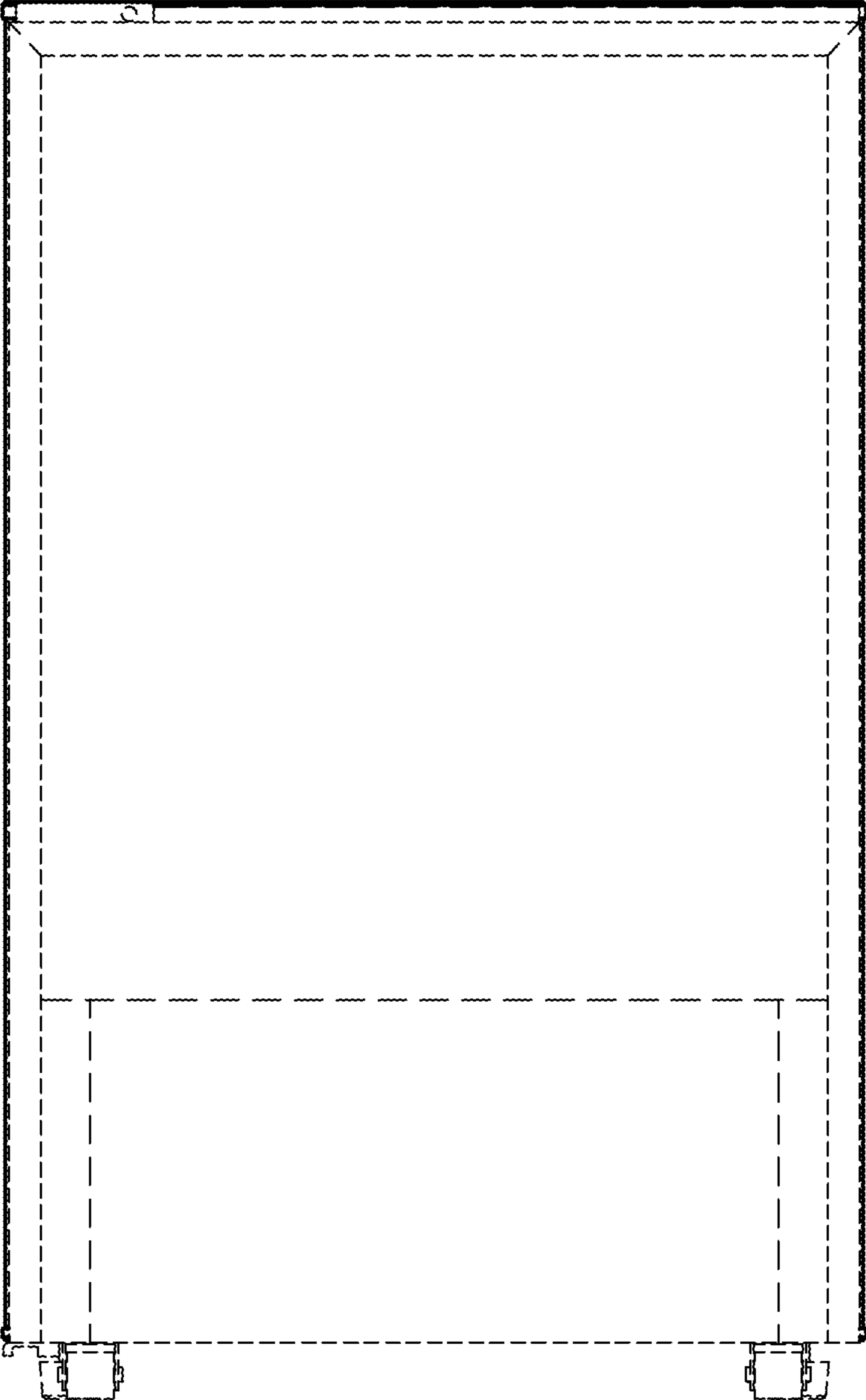


FIG. 6

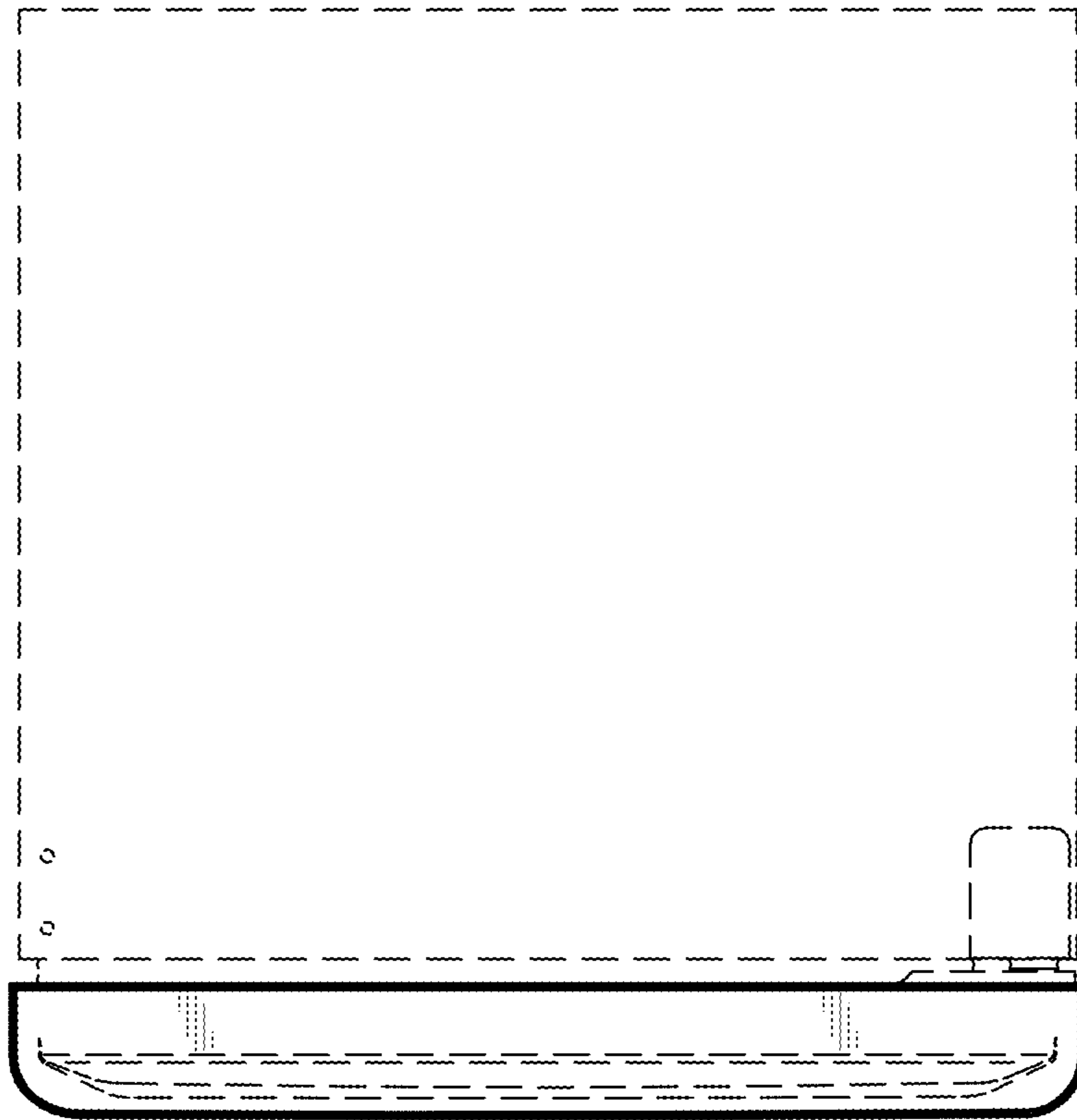


FIG. 7



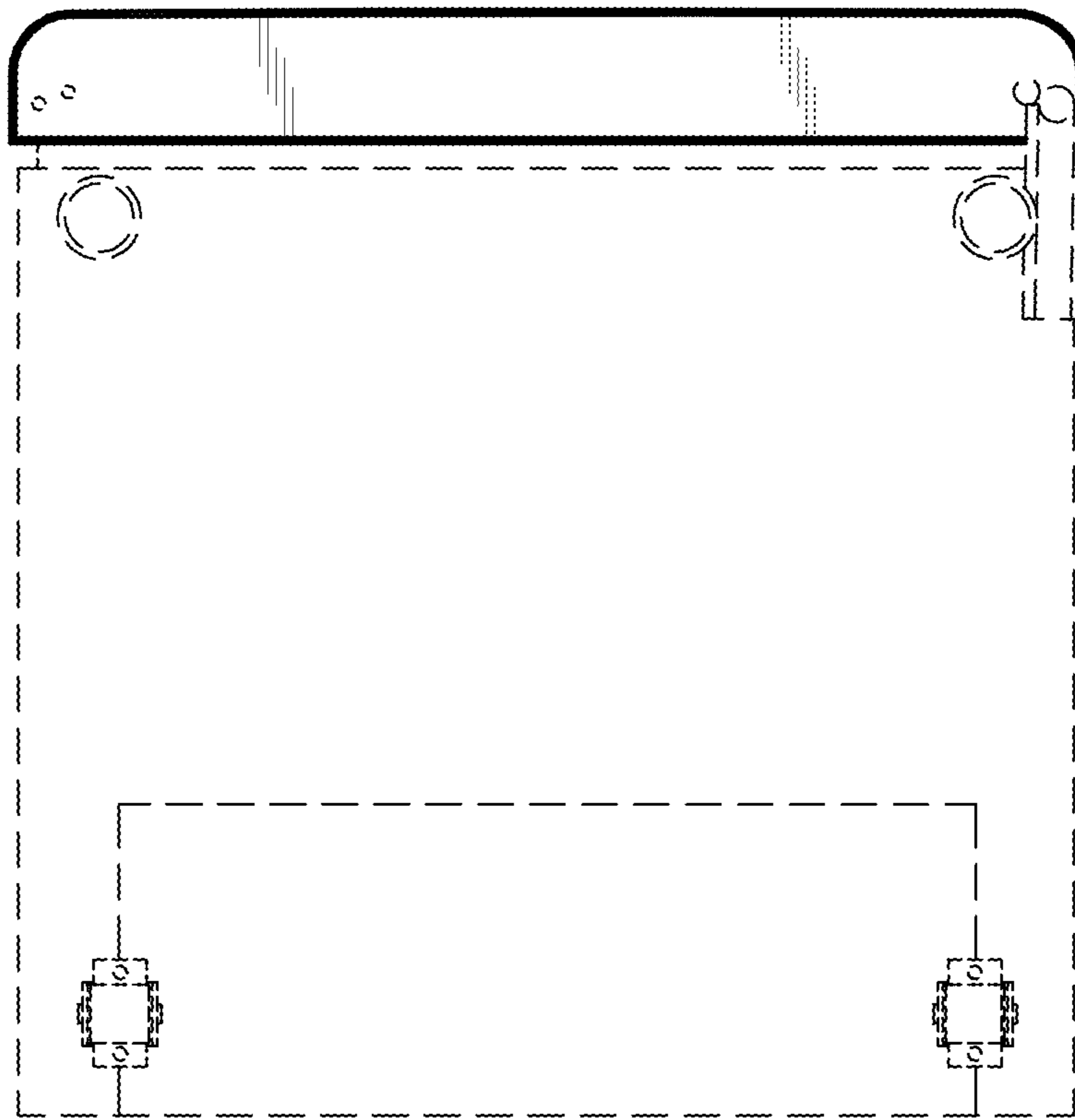


FIG. 8