



US00D875790S

(12) **United States Design Patent**
Shobe

(10) **Patent No.:** **US D875,790 S**

(45) **Date of Patent:** **** Feb. 18, 2020**

(54) **SPREADER**

(71) Applicant: **Great Plains Manufacturing, Inc.**,
Salina, KS (US)

(72) Inventor: **Matthew Shobe**, Salina, KS (US)

(73) Assignee: **Great Plains Manufacturing, Inc.**,
Salina, KS (US)

(**) Term: **15 Years**

(21) Appl. No.: **29/671,375**

(22) Filed: **Nov. 27, 2018**

(51) **LOC (12) Cl.** **15-03**

(52) **U.S. Cl.**
USPC **D15/28; D15/13**

(58) **Field of Classification Search**
USPC D15/11, 13, 14, 16, 17, 18, 21, 27, 28;
222/625, 502, 45, 228, 162, 174, 614,
222/624, 650, 608; 239/681-689, 666,
239/663, 650, 652, 655, 664, 665
CPC E01C 19/2005; E01C 19/20; E01C
2019/206; E01H 10/007; B05B 9/007;
A01C 7/02; A01C 15/02; A01C 17/008;
A01G 29/00

See application file for complete search history.

(56) **References Cited**

U.S. PATENT DOCUMENTS

D282,931 S * 3/1986 Doering D15/13
5,501,405 A * 3/1996 Doornek A01C 15/007
239/683

D425,915 S * 5/2000 Truan D15/13
D602,045 S * 10/2009 Choi D15/13
D602,046 S * 10/2009 Choi D15/13
D610,590 S * 2/2010 Choi D15/13
D610,591 S * 2/2010 Choi D15/13
D662,522 S * 6/2012 Simpson D15/13
D673,586 S * 1/2013 Truan D15/13
D689,527 S * 9/2013 MacLean-Blevins D15/13
D724,105 S * 3/2015 Kendall D15/13
D729,850 S * 5/2015 Kendall D15/13
D730,410 S * 5/2015 Kendall D15/13

* cited by examiner

Primary Examiner — Mark A Goodwin

(74) *Attorney, Agent, or Firm* — Hovey Williams LLP

(57) **CLAIM**

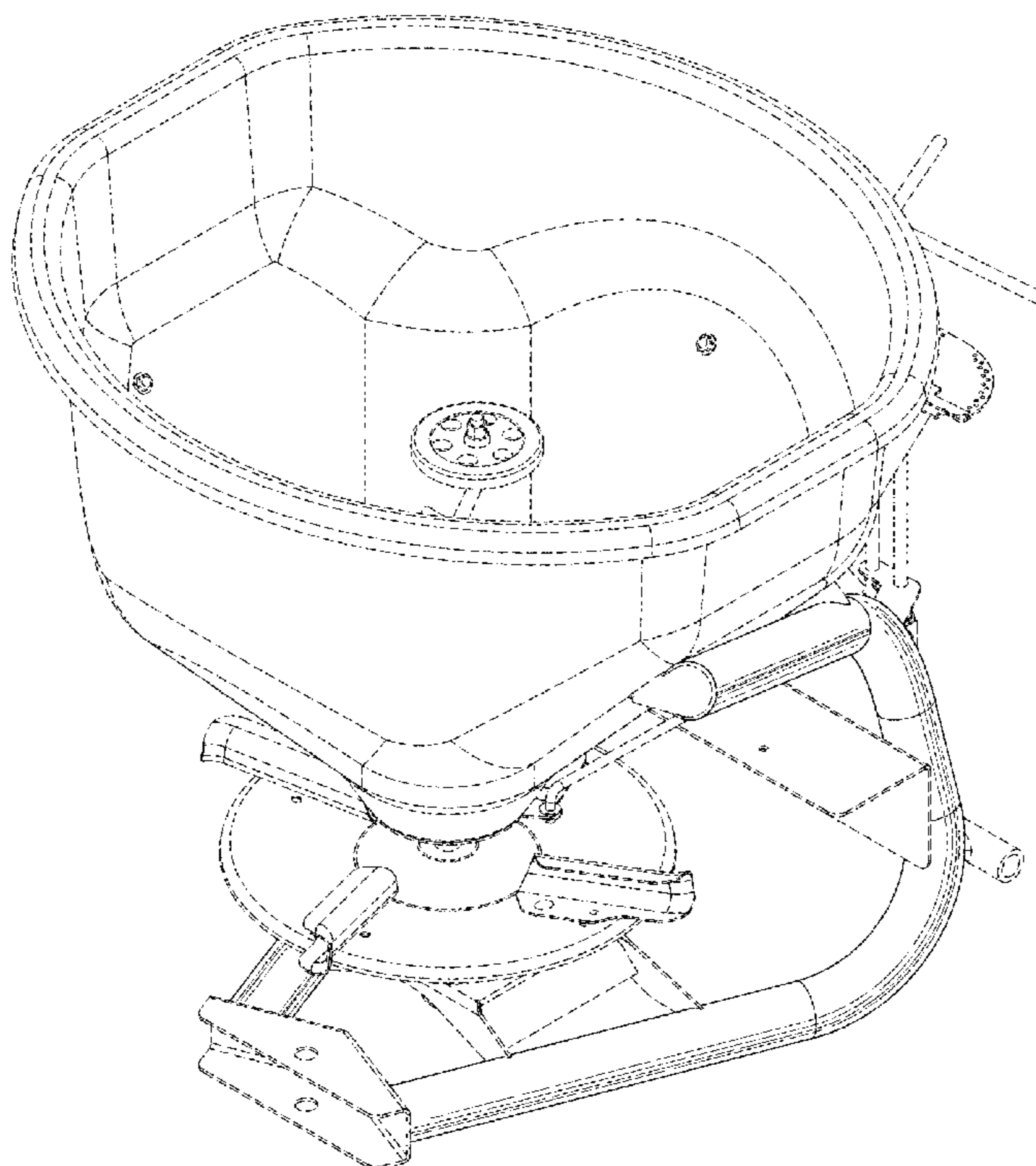
The ornamental design for a spreader, as shown and described.

DESCRIPTION

FIG. 1 is a top front perspective view of a spreader showing my new design;
FIG. 2 is a bottom front perspective view thereof;
FIG. 3 is a top rear perspective view thereof;
FIG. 4 is a bottom rear perspective view thereof;
FIG. 5 is a front elevation view thereof;
FIG. 6 is a right elevation view thereof;
FIG. 7 is a left elevation view thereof;
FIG. 8 is a rear elevation view thereof;
FIG. 9 is a top plan view thereof; and,
FIG. 10 is a bottom plan view thereof.

In the drawings, the broken lines depict portions of the spreader that form no part of the claimed design.

1 Claim, 10 Drawing Sheets



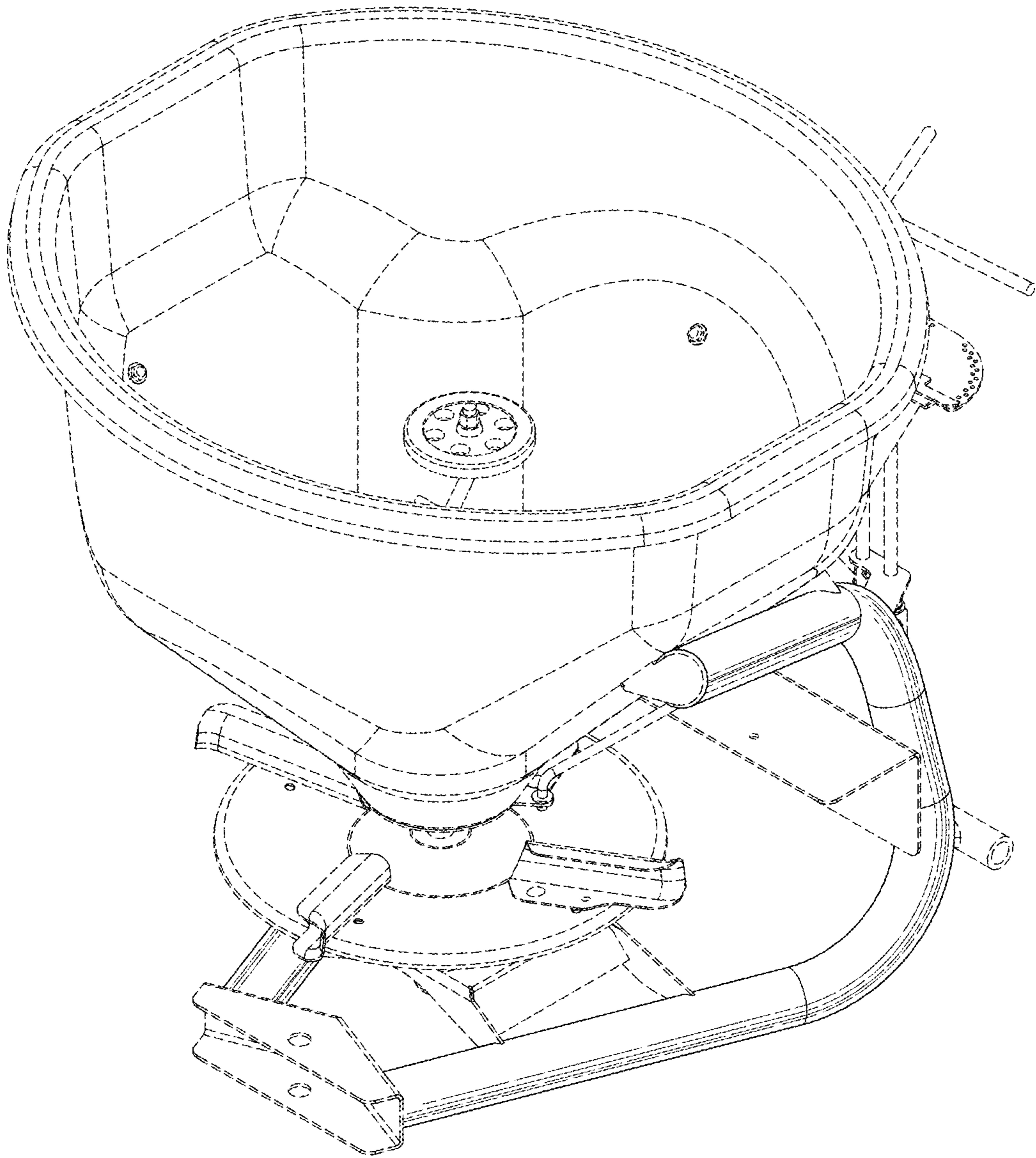


Fig. 1.

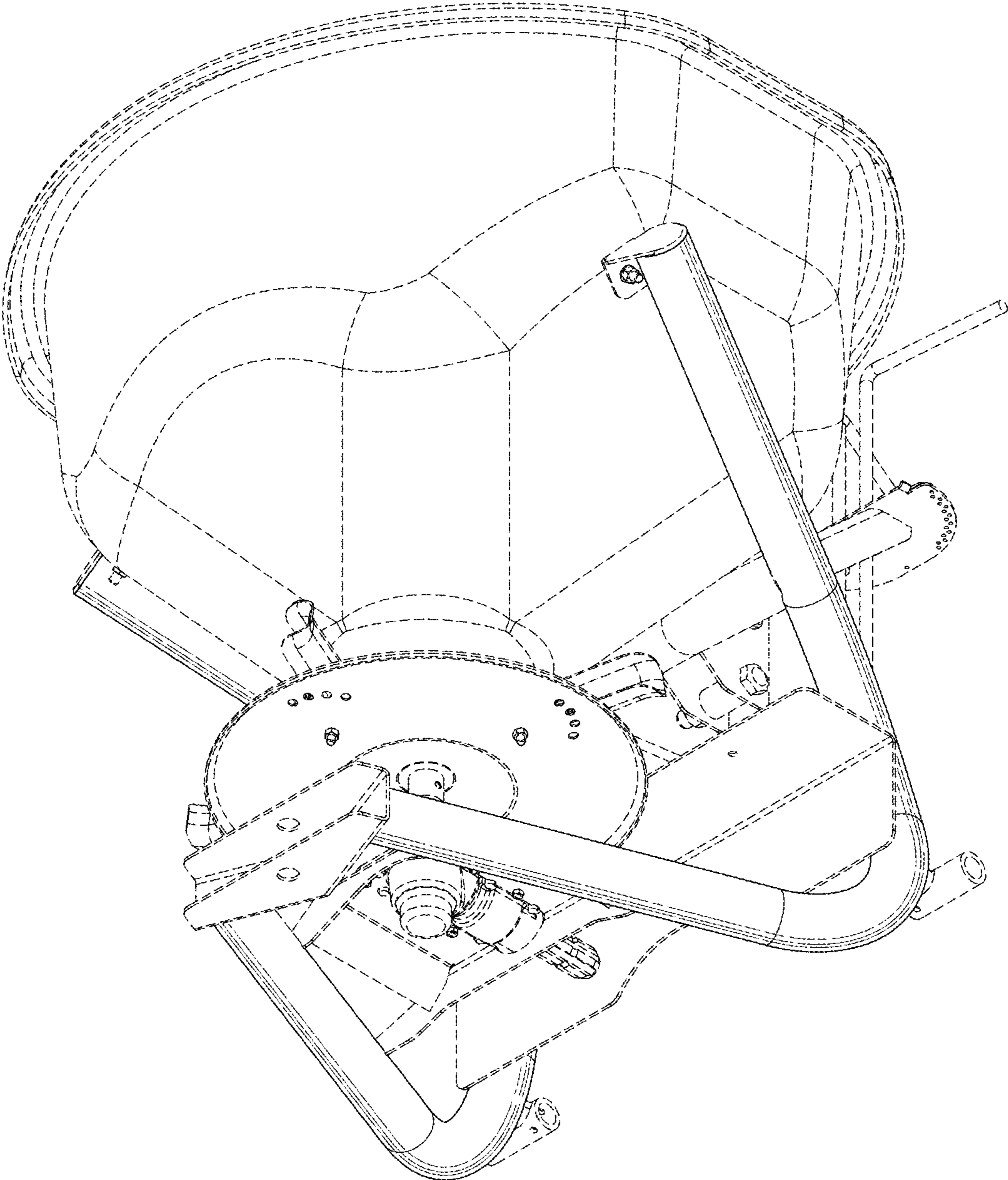


Fig. 2.

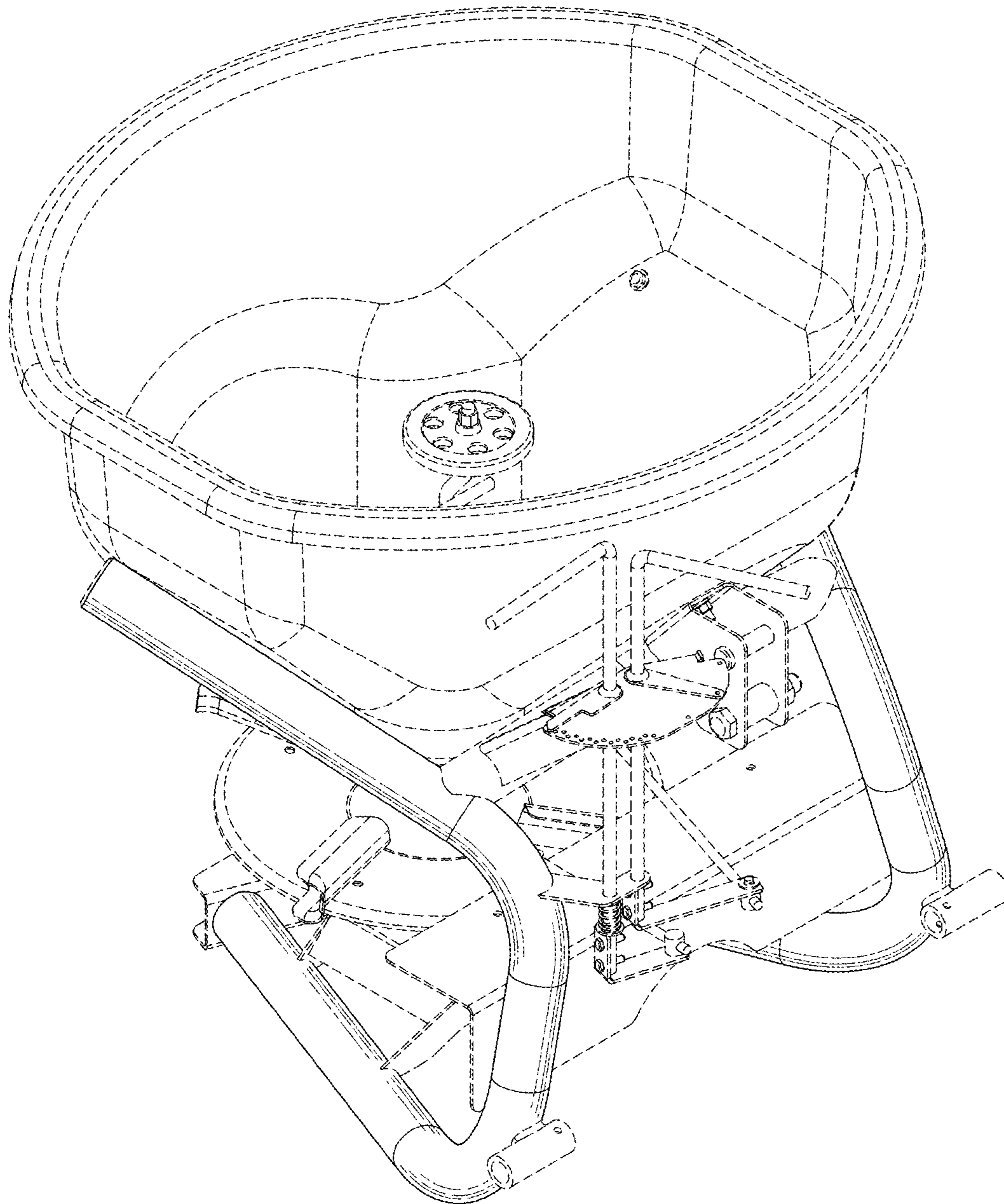


Fig. 3.

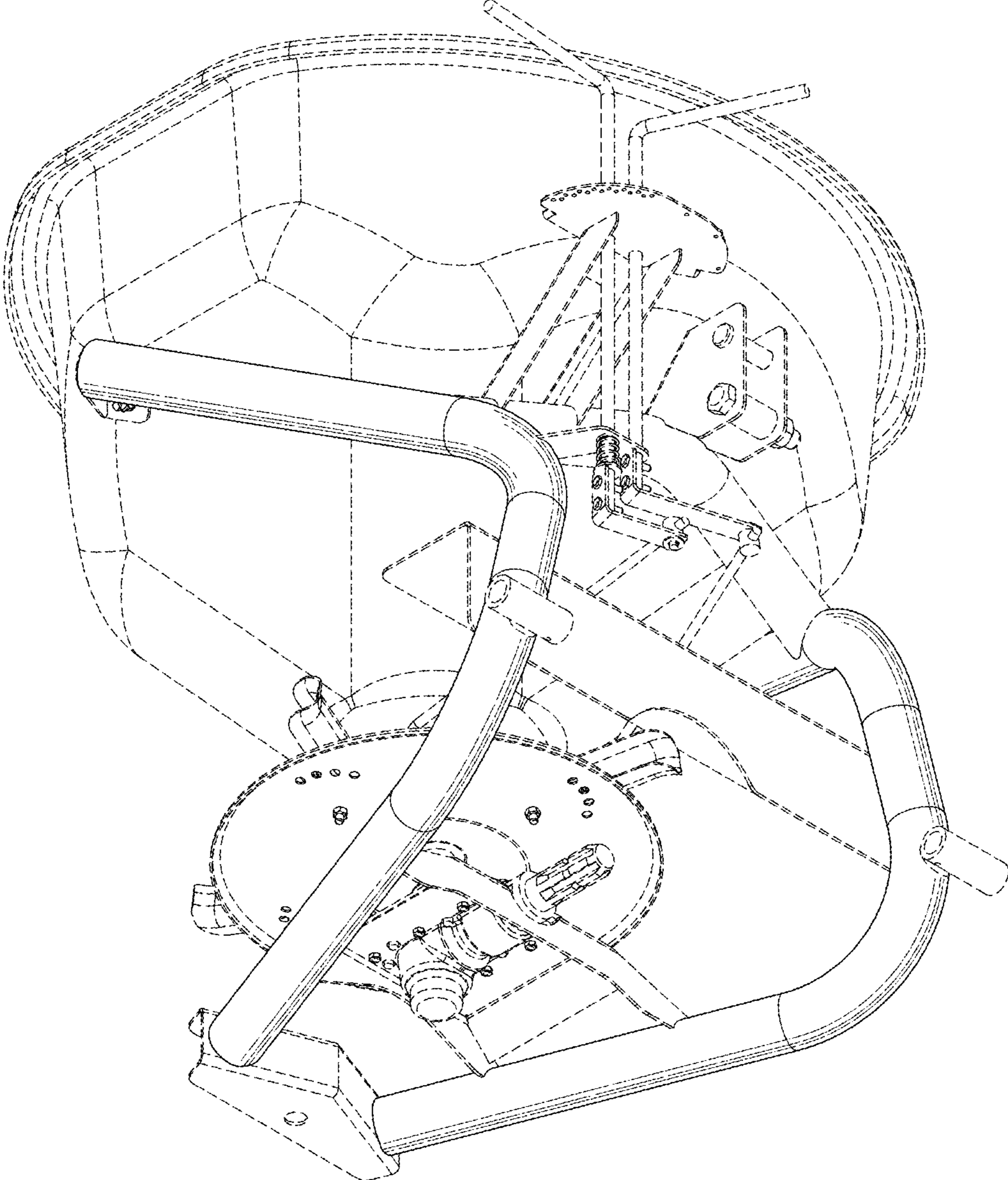


Fig. 4.

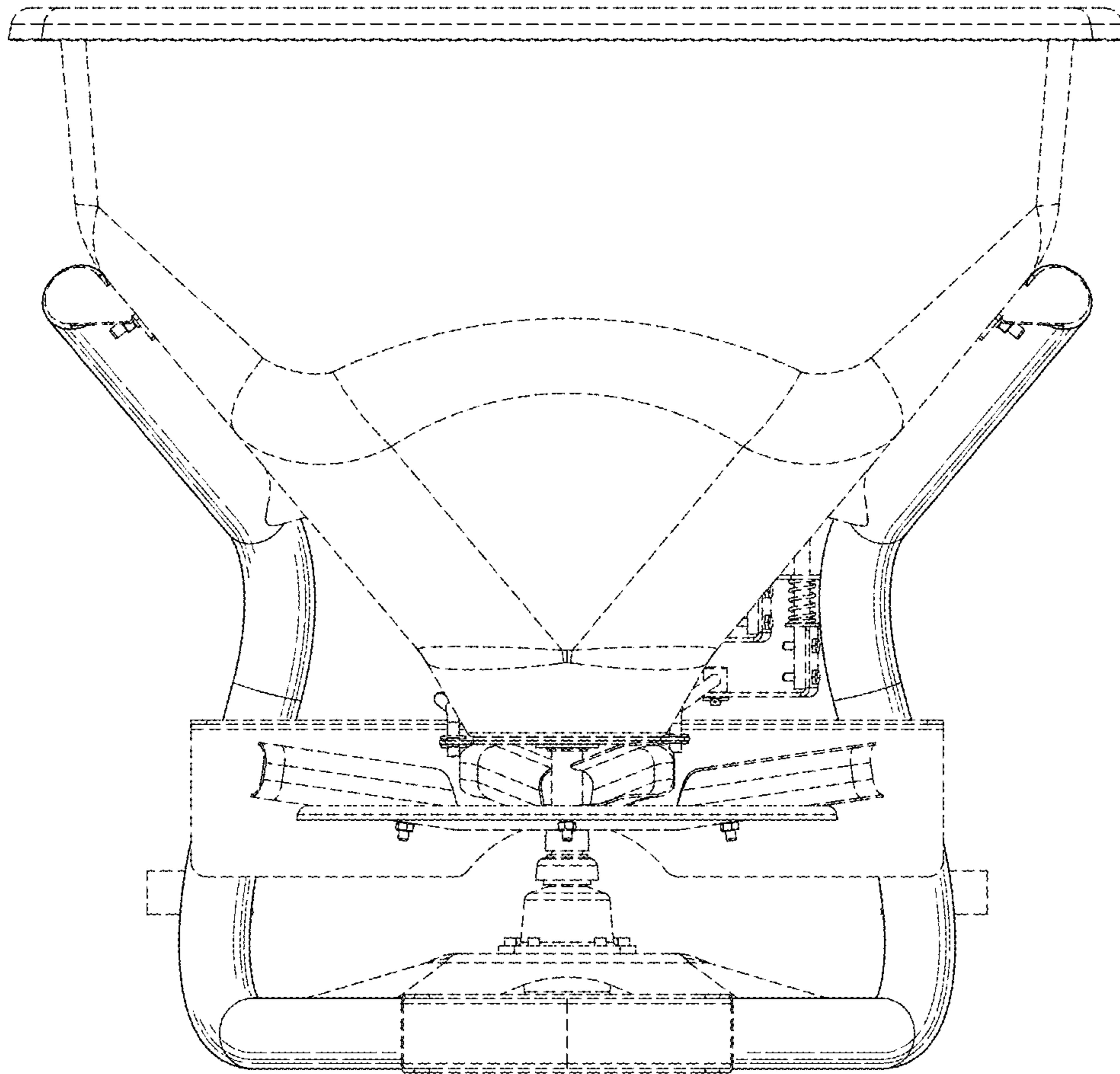


Fig. 5.

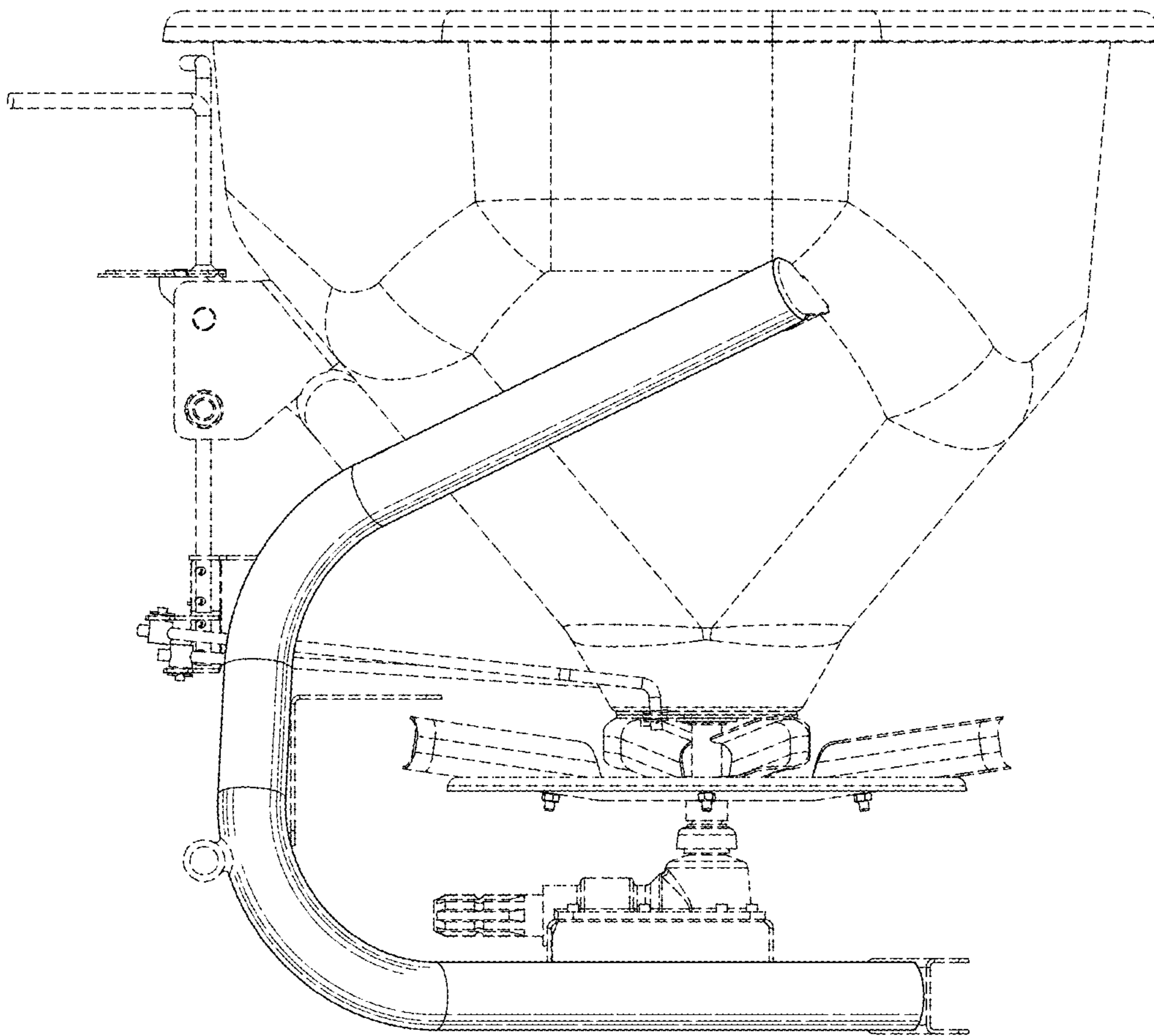


Fig. 6.

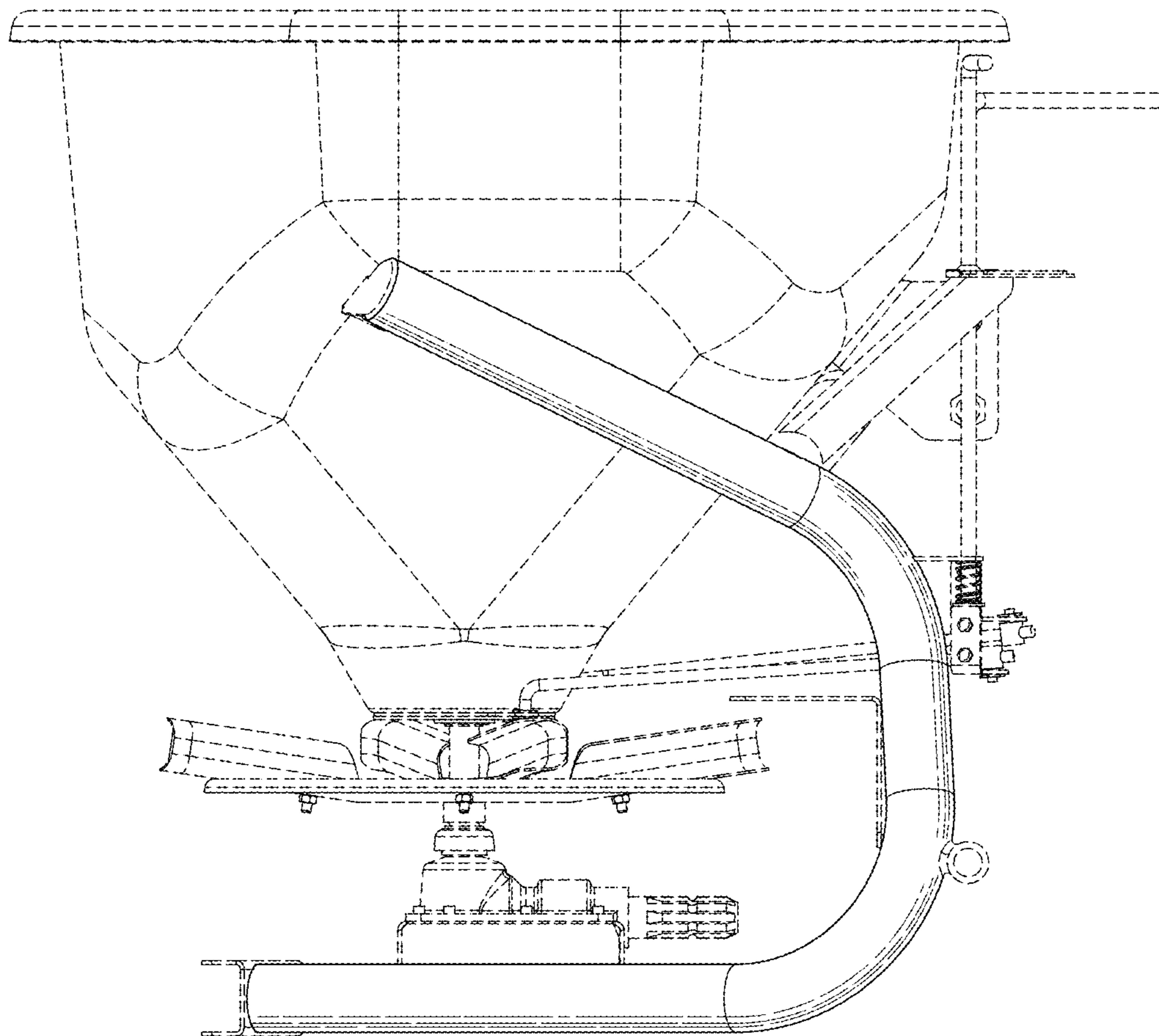


Fig. 7.

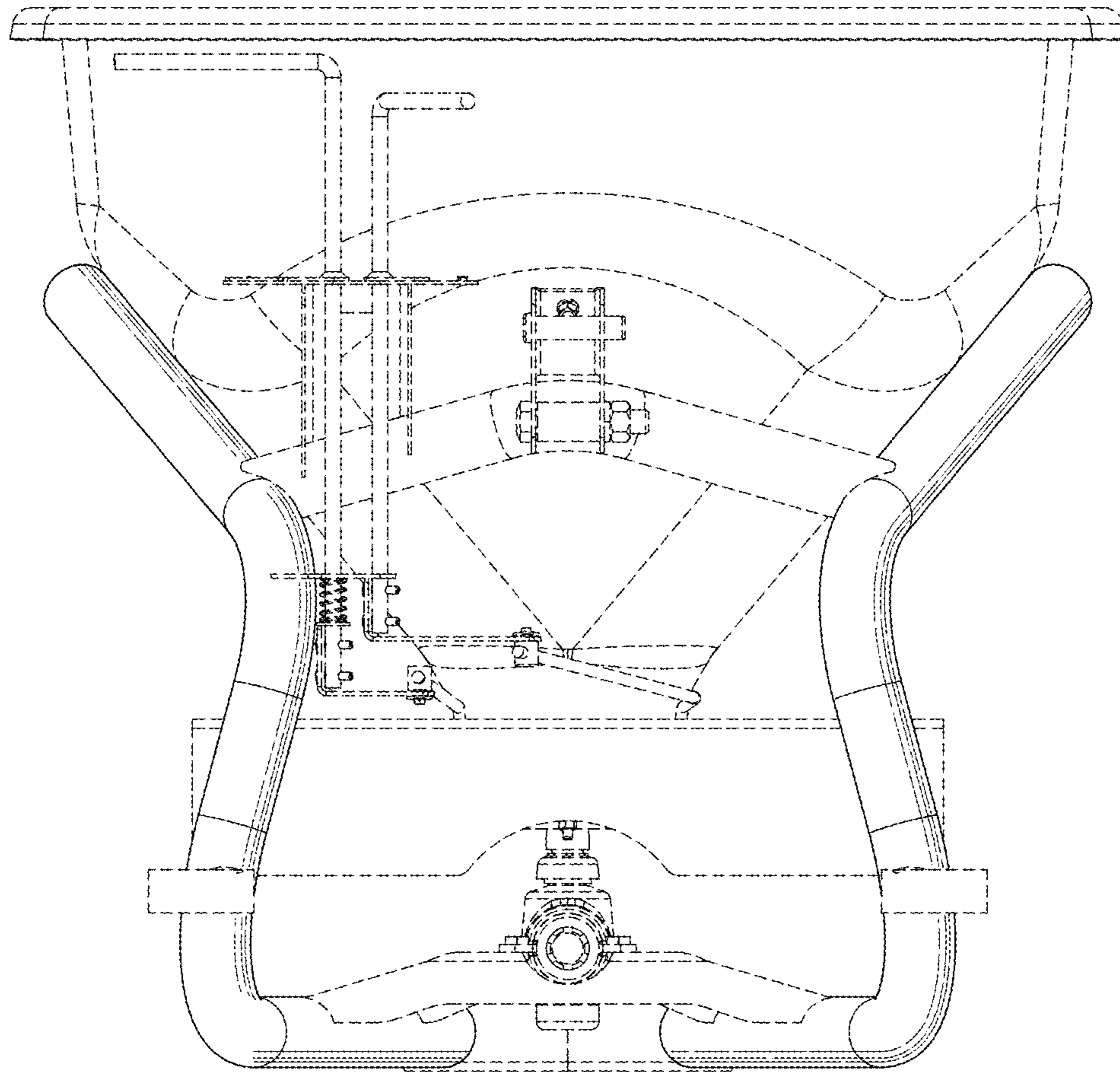


Fig. 8.

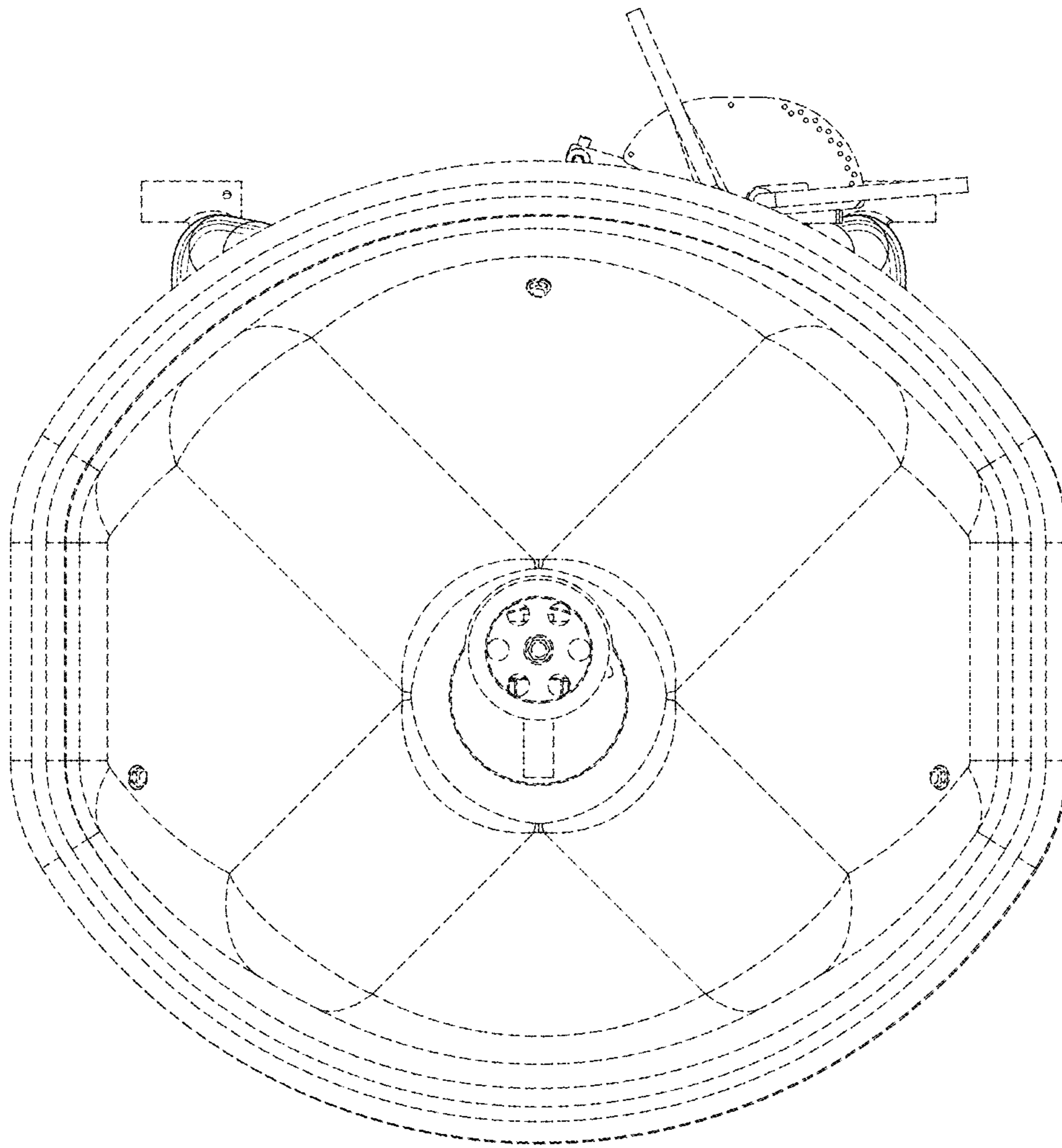


Fig. 9.

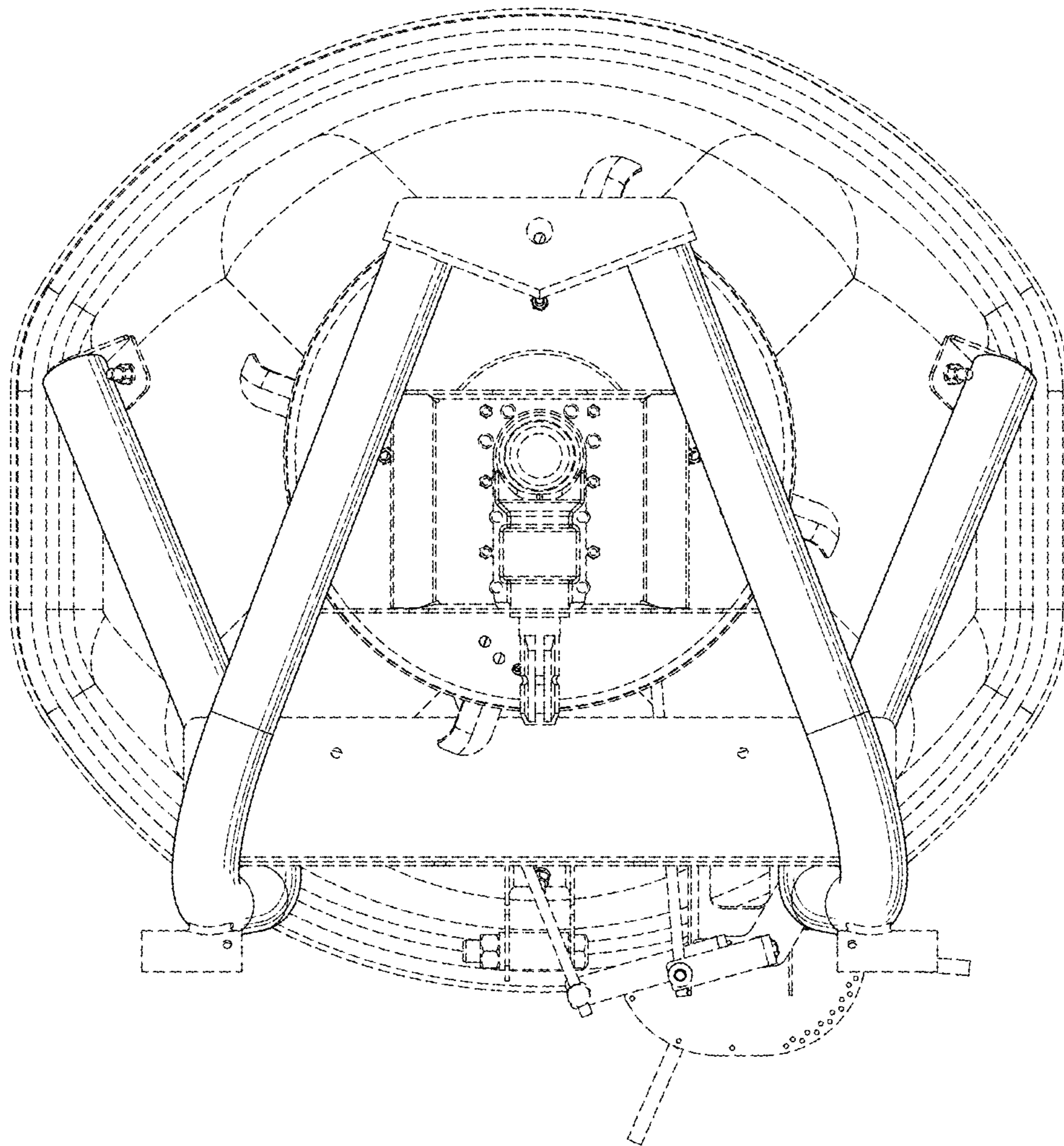


Fig. 10.