



US00D875788S

(12) **United States Design Patent**
Tuang

(10) **Patent No.:** **US D875,788 S**

(45) **Date of Patent:** **** Feb. 18, 2020**

(54) **AIR COMPRESSOR**

(71) Applicant: **EP Family Corp.**, Walnut, CA (US)

(72) Inventor: **Bao-Yi Tuang**, Walnut, CA (US)

(**) Term: **15 Years**

(21) Appl. No.: **29/669,081**

(22) Filed: **Nov. 5, 2018**

(51) **LOC (12) Cl.** **15-02**

(52) **U.S. Cl.**
USPC **D15/9**

(58) **Field of Classification Search**
USPC D15/7-9; D23/231, 232, 225
CPC F02M 37/04; F02M 37/14; F04B 35/00;
F04B 53/92; F04B 1/005
See application file for complete search history.

(56) **References Cited**

U.S. PATENT DOCUMENTS

D177,701 S *	5/1956	Sykes	D15/9
D377,967 S *	2/1997	Rozek	D15/9
D379,996 S *	6/1997	Leu	D15/9
D382,883 S *	8/1997	Breizzman	D15/9
D412,174 S *	7/1999	Faulkner	D15/9
6,056,521 A *	5/2000	Leu F04B 35/04	
			417/415	
6,692,240 B1 *	2/2004	Leonhard F04B 39/066	
			310/62	
D499,119 S *	11/2004	Thomas, Jr.	D15/9
D499,745 S *	12/2004	Hsiao	D15/9
D549,734 S *	8/2007	Chern	D15/7
D601,591 S *	10/2009	Chu	D15/9
D614,673 S *	4/2010	Chen	D15/9
D626,970 S *	11/2010	Moser	D15/9
D627,370 S *	11/2010	Moser	D15/9
D658,208 S *	4/2012	Moser, III	D15/9
D668,685 S *	10/2012	Haener	D15/9

D678,351 S *	3/2013	Wong	D15/9
D681,679 S *	5/2013	Osaka	D15/7
D684,999 S *	6/2013	Osaka	D15/7
D689,526 S *	9/2013	Tsai	D15/9
D700,625 S *	3/2014	Iwagoshi	D15/7
D701,887 S *	4/2014	Haener	D15/7
D754,209 S *	4/2016	Chou	D15/7
D769,944 S *	10/2016	Sheedy	D15/9
D774,102 S *	12/2016	Ellman	D15/9
D803,270 S *	11/2017	Chen	D15/9
D832,891 S *	11/2018	Chu	D15/9
D835,679 S *	12/2018	Sato	D15/9
D839,924 S *	2/2019	Tuang	D15/9
D857,753 S *	8/2019	Tong	D15/9
D866,605 S *	11/2019	Chou	D15/9
D866,606 S *	11/2019	Chou	D15/9

* cited by examiner

Primary Examiner — Mitchell I. Siegel
(74) *Attorney, Agent, or Firm* — Tommy S F Wang;
Wang IP Law Group, P.C.

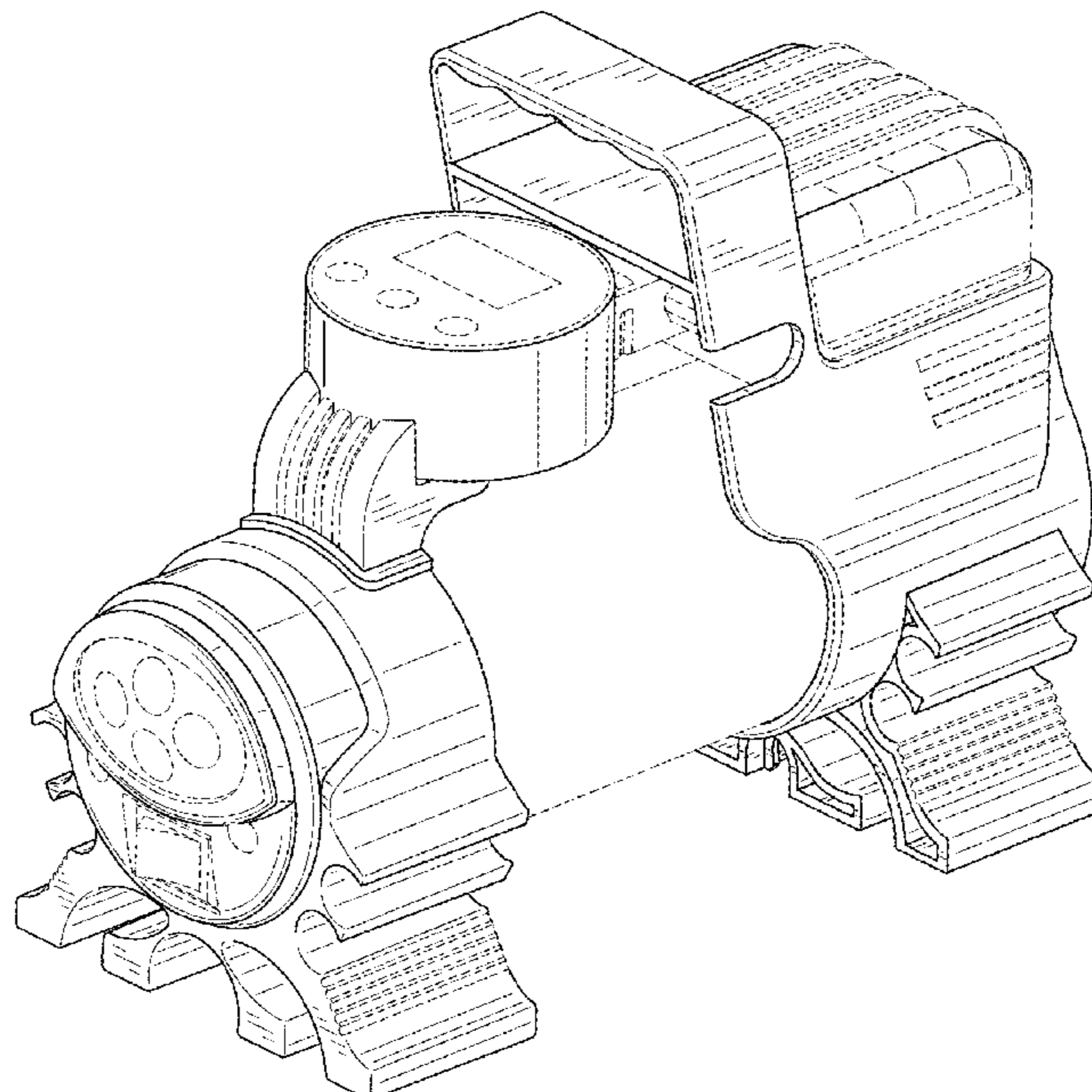
(57) **CLAIM**

The ornamental design for an air compressor, as shown and described.

DESCRIPTION

FIG. 1 is a perspective view of an air compressor showing my new design;
FIG. 2 is a front view thereof;
FIG. 3 is a rear view thereof;
FIG. 4 is a left side view thereof;
FIG. 5 is a right side view thereof;
FIG. 6 is a top view thereof; and,
FIG. 7 is a bottom view thereof.
The broken line portions of the air compressor in FIGS. 1-7 represent unclaimed portions of the claimed design and form no part thereof.

1 Claim, 7 Drawing Sheets



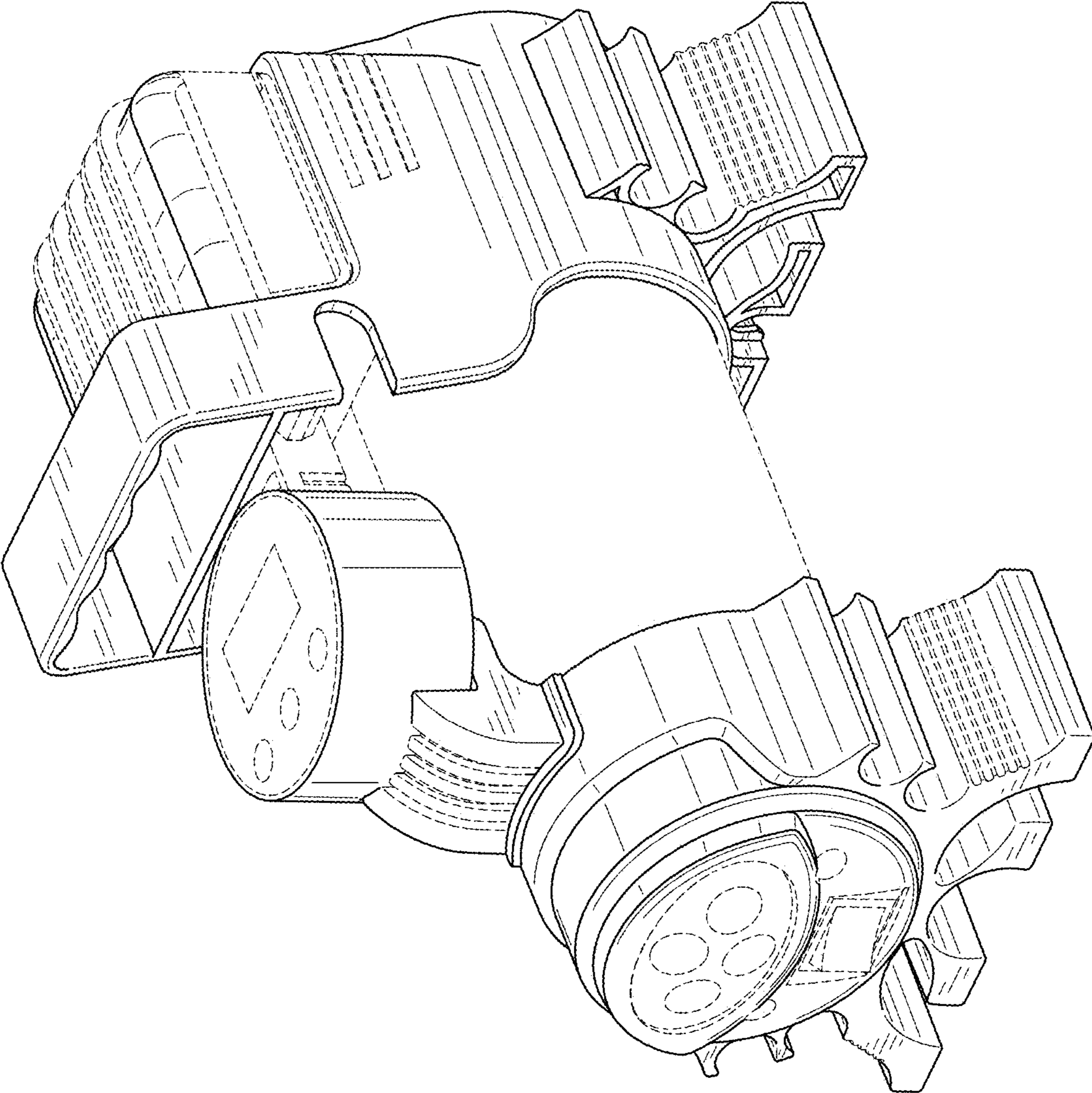


FIG. 1

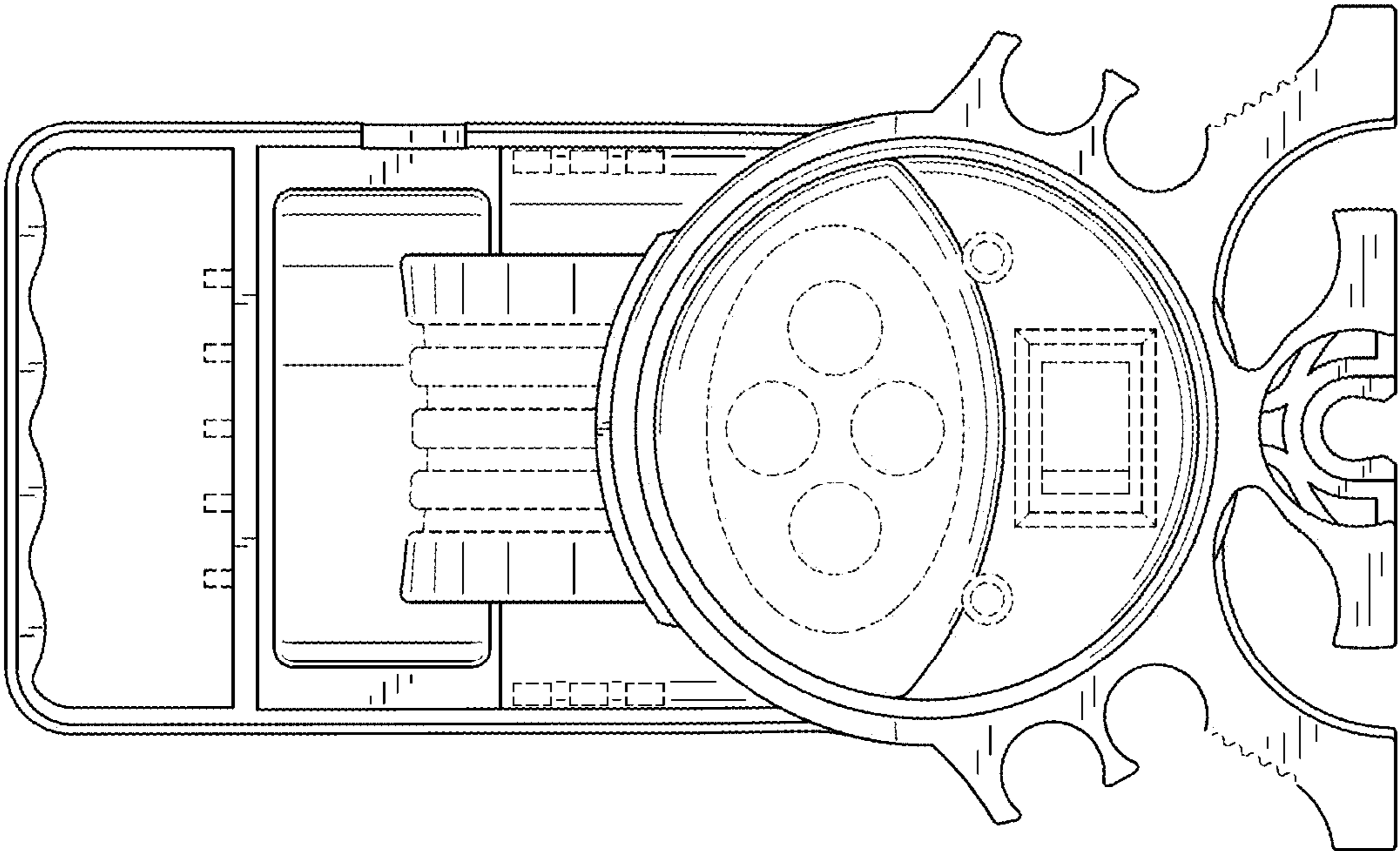


FIG. 2

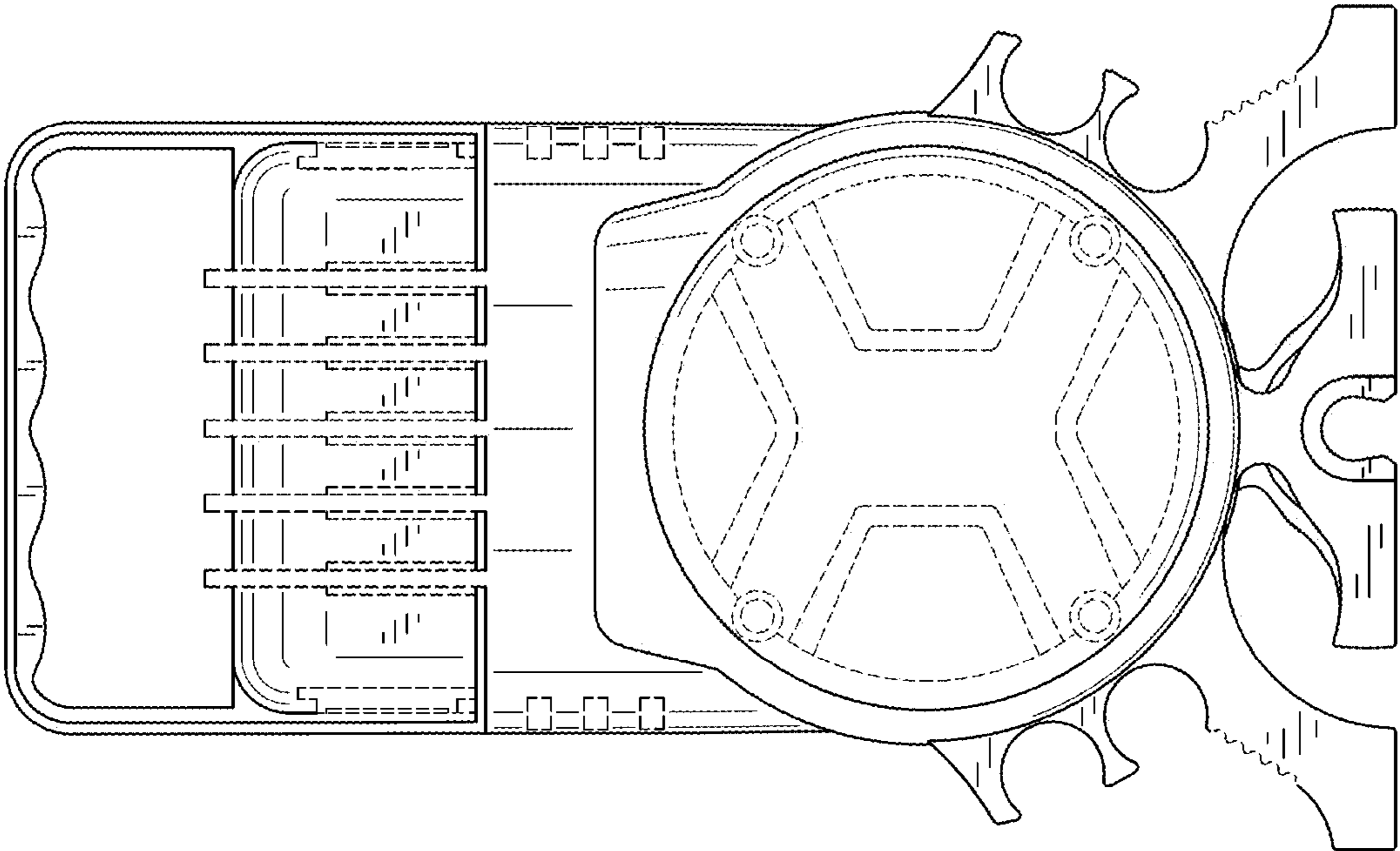


FIG. 3

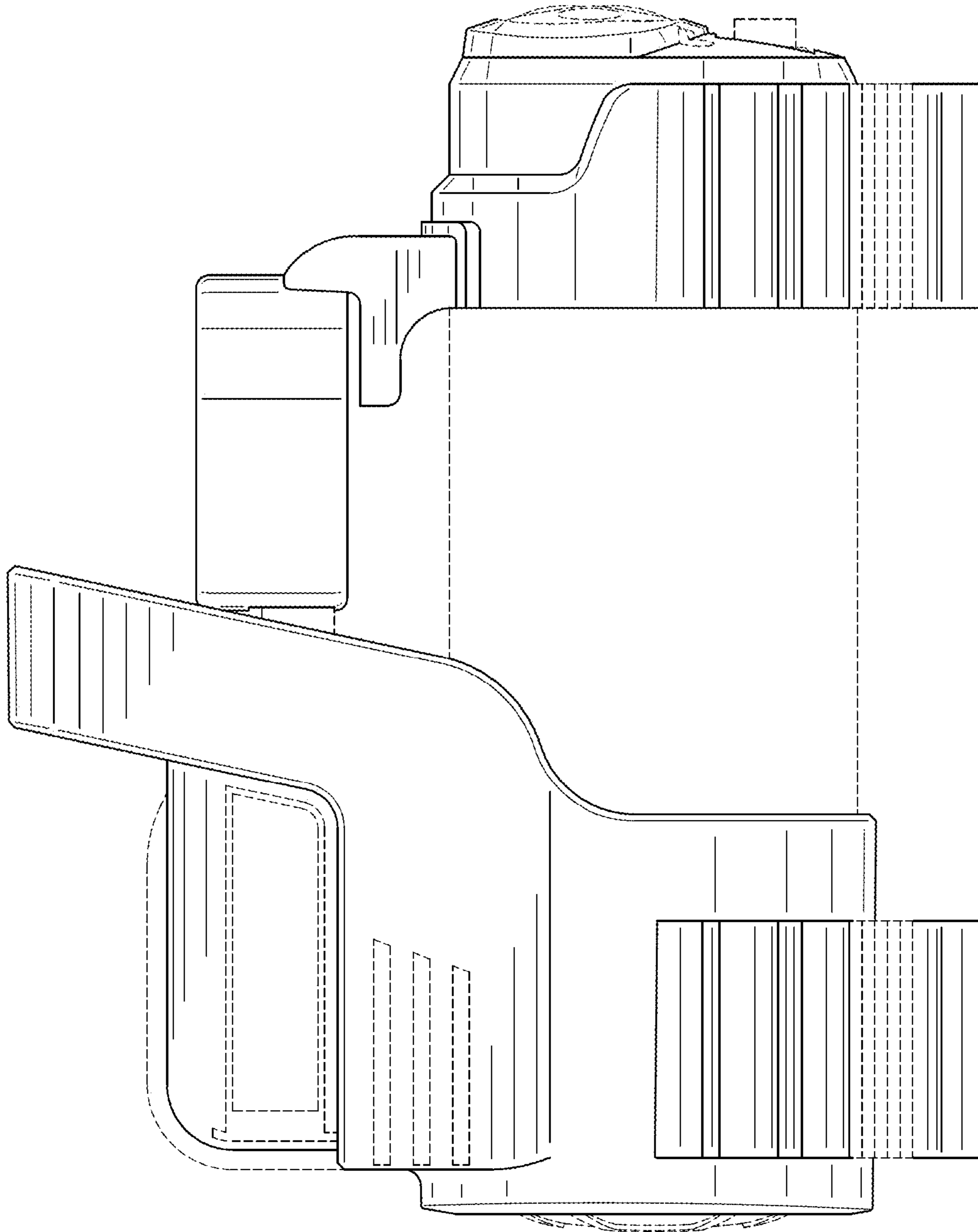


FIG. 4

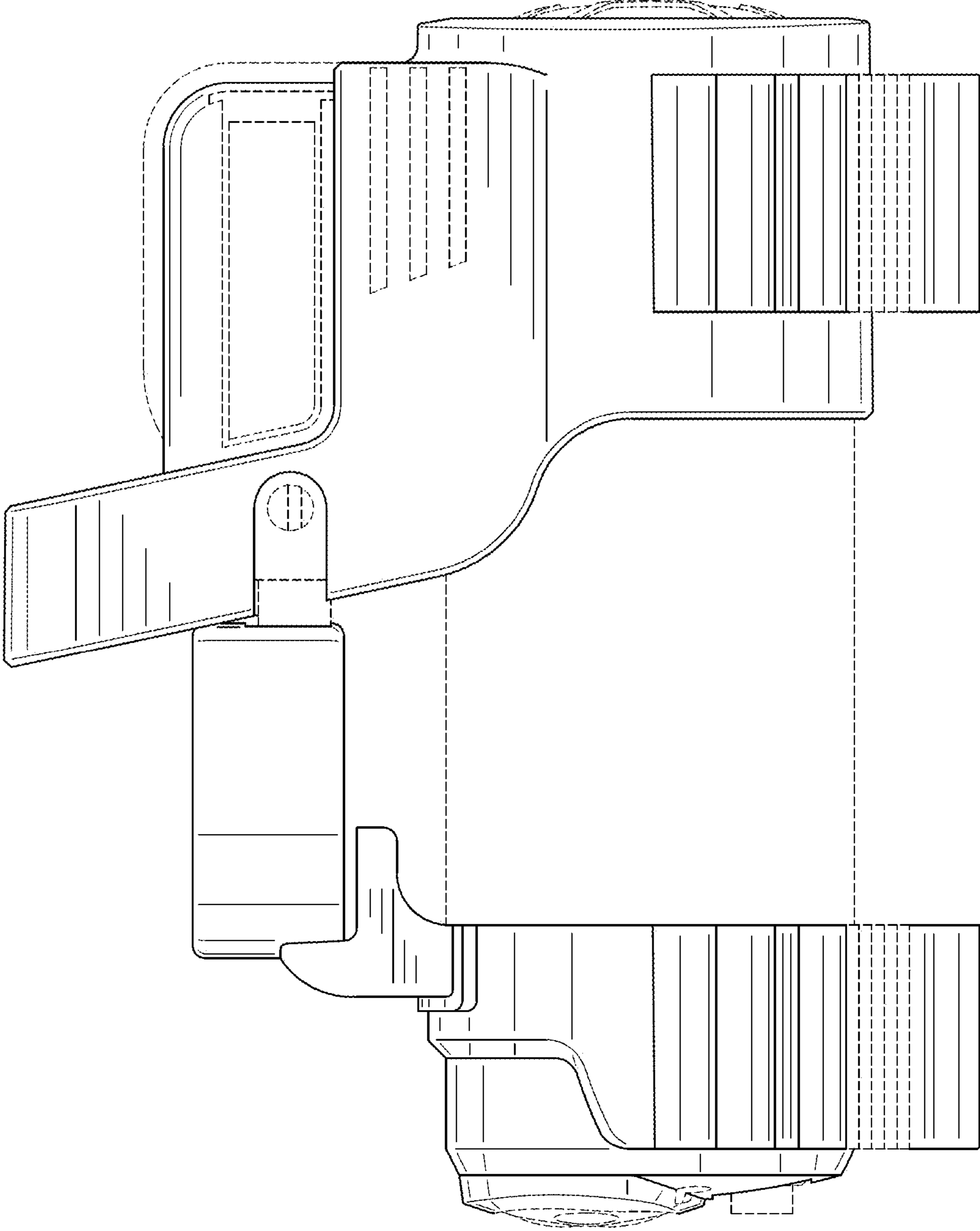


FIG. 5

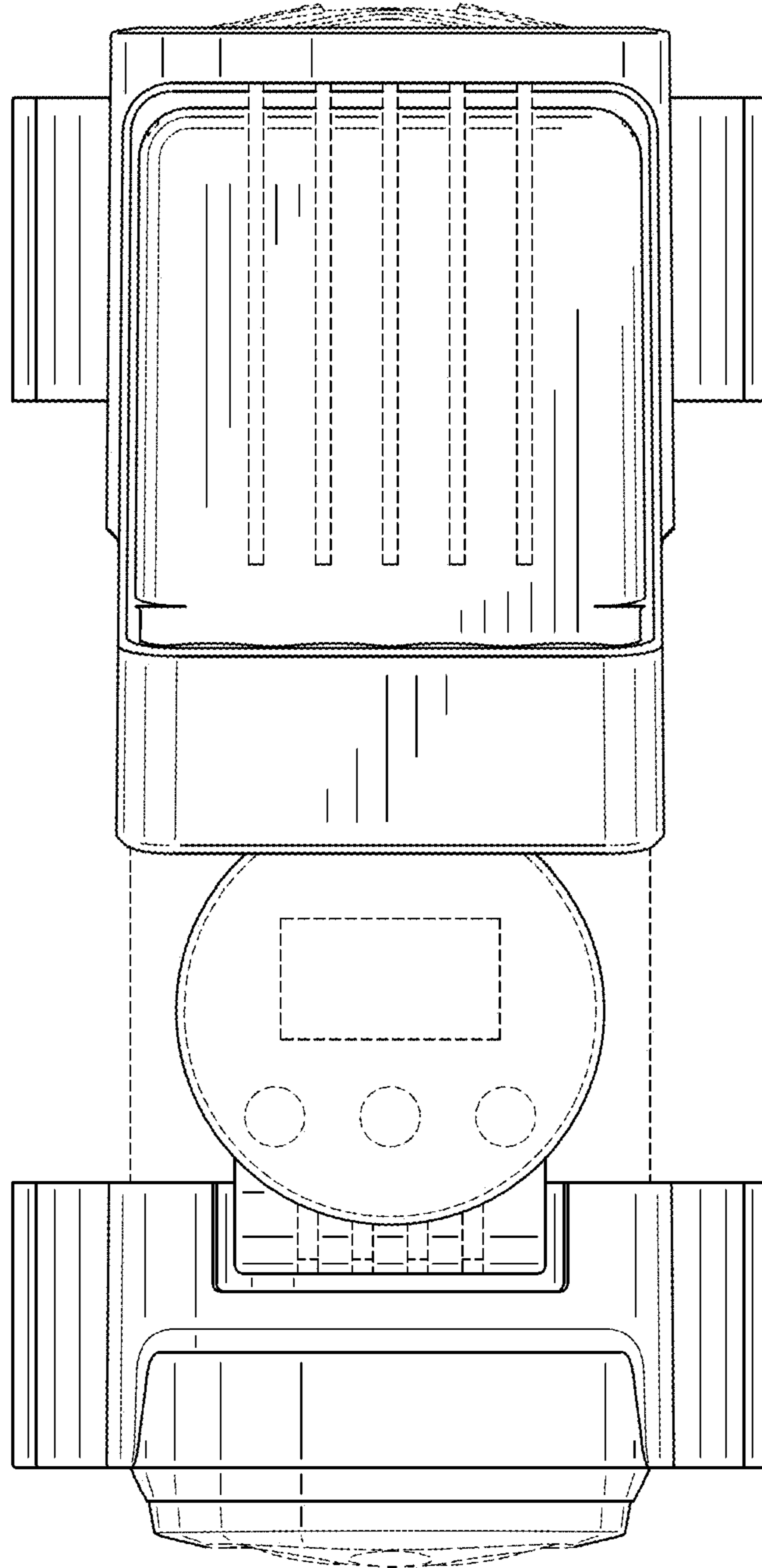


FIG. 6

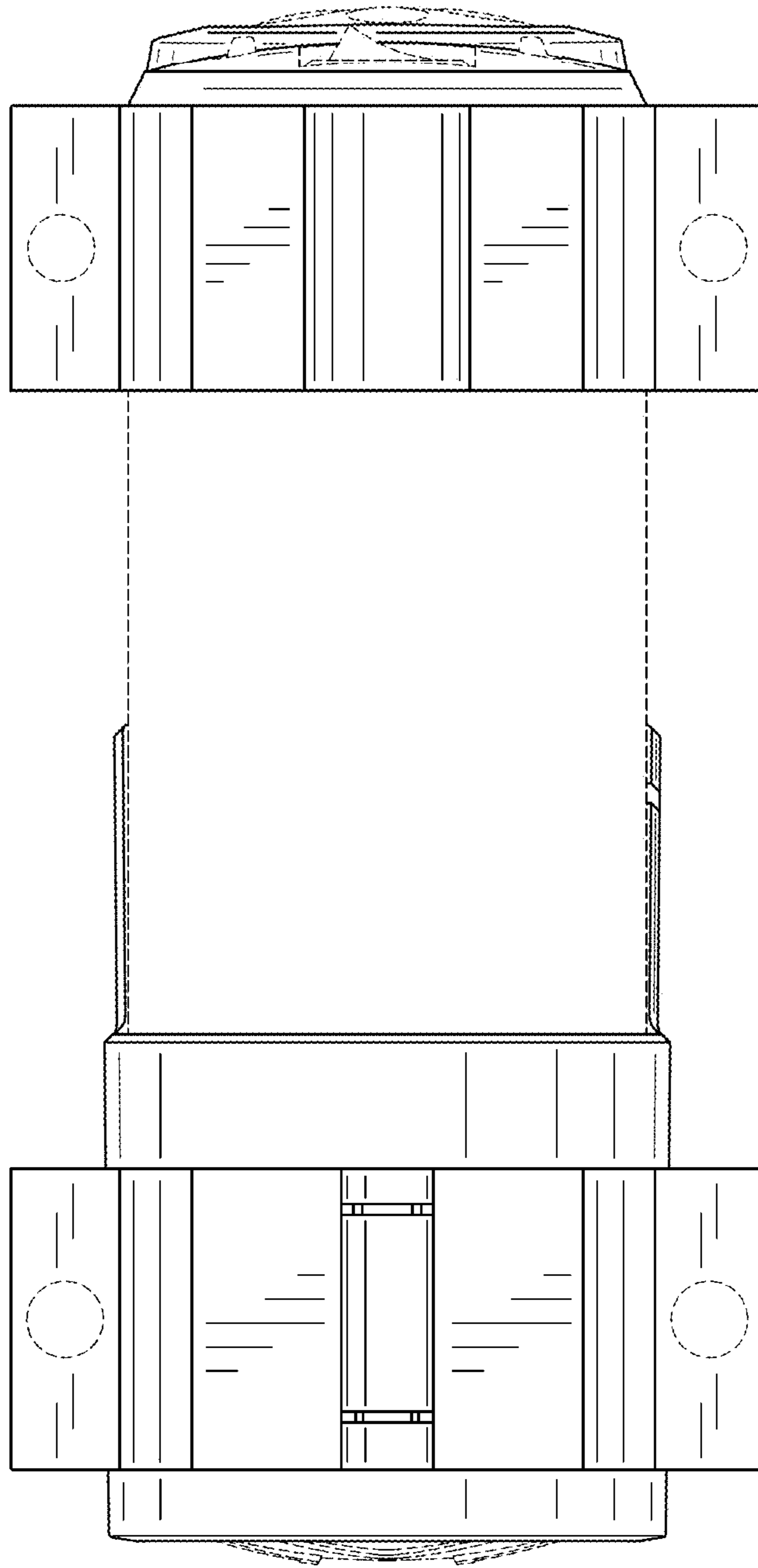


FIG. 7