



US00D875787S

(12) **United States Design Patent** (10) **Patent No.:** **US D875,787 S**
Kamio (45) **Date of Patent:** **** Feb. 18, 2020**

(54) **FLANGE FOR WATER PUMP**
(71) Applicant: **YAMADA MANUFACTURING CO., LTD.**, Kiryu-shi (JP)
(72) Inventor: **Keisuke Kamio**, Kiryu (JP)
(73) Assignee: **YAMADA MANUFACTURING CO., LTD.**, Kiryu-Shi, Gunma (JP)
(**) Term: **15 Years**
(21) Appl. No.: **29/639,268**
(22) Filed: **Mar. 5, 2018**

D749,708 S * 2/2016 Smith D23/269
D808,439 S * 1/2018 Hudnall D15/7
2010/0284812 A1* 11/2010 Zahdeh F04D 29/2216
416/185
2011/0088638 A1* 4/2011 Yamagata F01P 5/10
123/41.44

* cited by examiner

Primary Examiner — Randall H Gholson
(74) *Attorney, Agent, or Firm* — McGinn IP Law Group, PLLC

(30) **Foreign Application Priority Data**
Sep. 19, 2017 (JP) 2017-020409
(51) **LOC (12) Cl.** **15-02**
(52) **U.S. Cl.**
USPC **D15/7**
(58) **Field of Classification Search**
USPC D15/7-9; D23/231, 232, 225; 417/60, 417/235, 265, 321, 355, 358, 363, 359, 417/410.1, 415-416, 405, 900; 60/408, 60/412; 184/26-37; 415/140-147; 123/495, 509
CPC F04B 25/00; F04B 27/00; F04B 33/00; F04B 35/00; F04B 37/00; F04B 39/00; F04B 39/12; F04B 41/00
See application file for complete search history.

(57) **CLAIM**

The ornamental design for flange for water pump, as shown and described.

DESCRIPTION

FIG. 1 is a front elevational view of a flange for water pump showing my new design;
FIG. 2 is a top plan view thereof;
FIG. 3 is a bottom plan view thereof;
FIG. 4 is a left side elevational view thereof;
FIG. 5 is a rear elevational view thereof;
FIG. 6 is a front perspective view thereof;
FIG. 7 is a reference front elevational view;
FIG. 8 is a cross sectional view along line A-A as shown in FIG. 7;
FIG. 9 is a reference top plan view;
FIG. 10 is a cross sectional view along line B-B as shown in FIG. 9;
FIG. 11 is a reference perspective view illustrating a use state thereof; and,
FIG. 12 is a reference perspective view illustrating a use state thereof.
In the drawings, the dashed broken lines show portions of the flange for water pump form no part of the claimed design. The dashed broken lines define the bounds of the claimed design and form no part thereof.

(56) **References Cited**
U.S. PATENT DOCUMENTS
6,017,036 A * 1/2000 Murphy F16J 15/3488
277/358
D644,721 S * 9/2011 Bond D23/269
D658,681 S * 5/2012 Takemori D15/7
D695,788 S * 12/2013 Wilkinson D15/7
D707,717 S * 6/2014 King D15/7

1 Claim, 12 Drawing Sheets

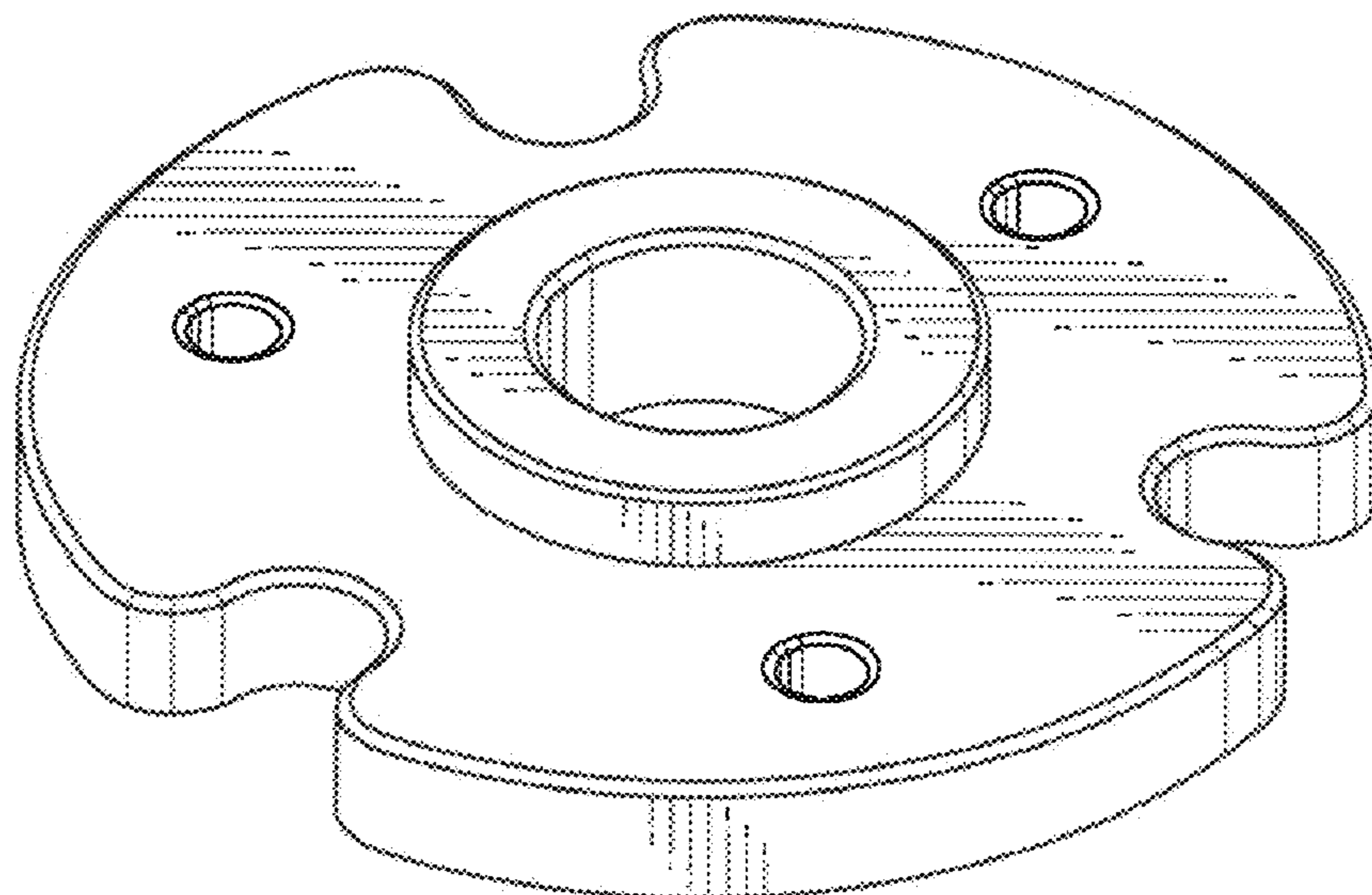


Fig. 1

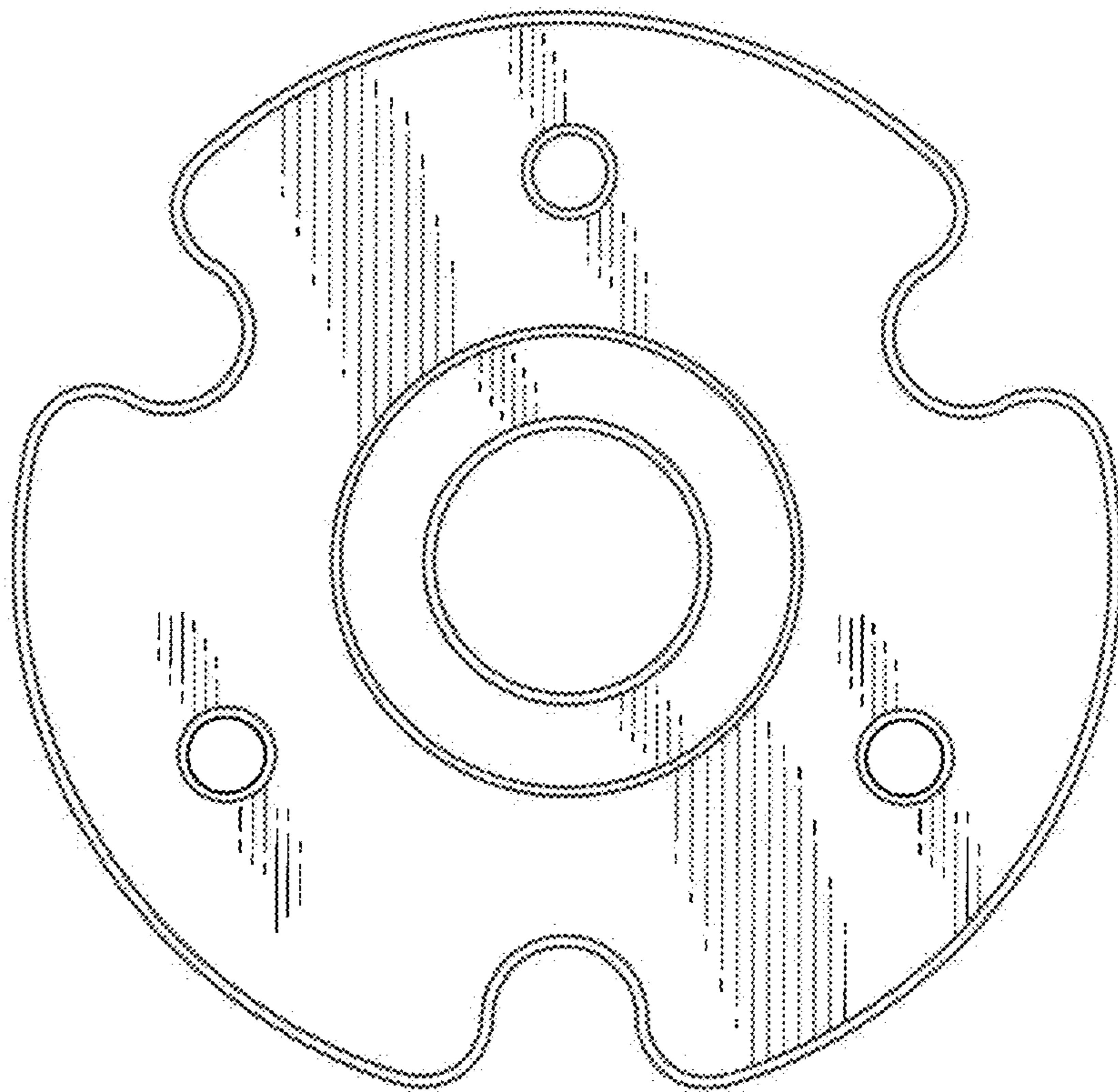


Fig. 2



Fig. 3

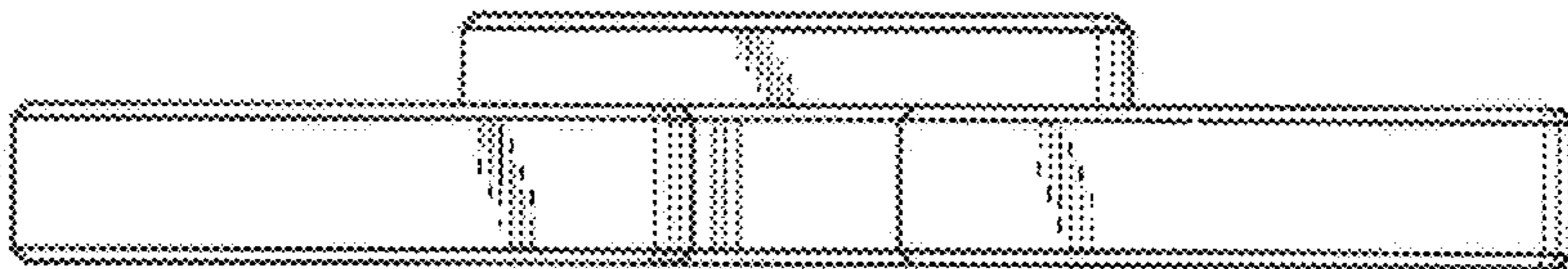


Fig. 4

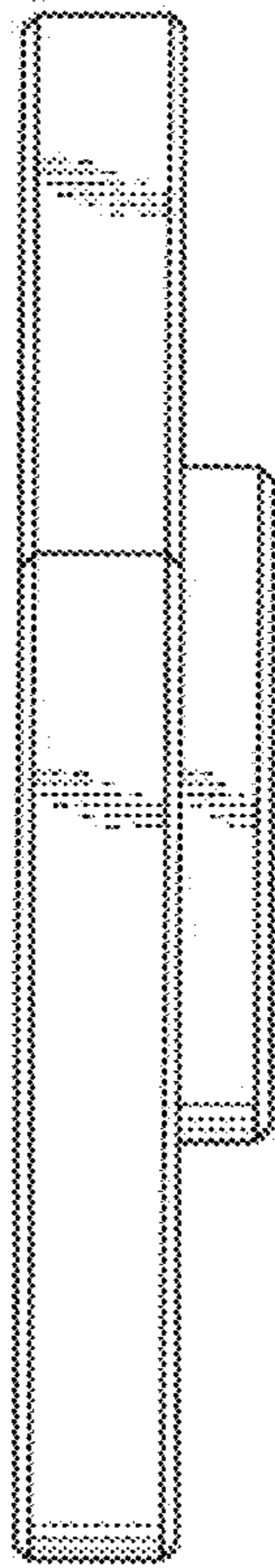


Fig. 5

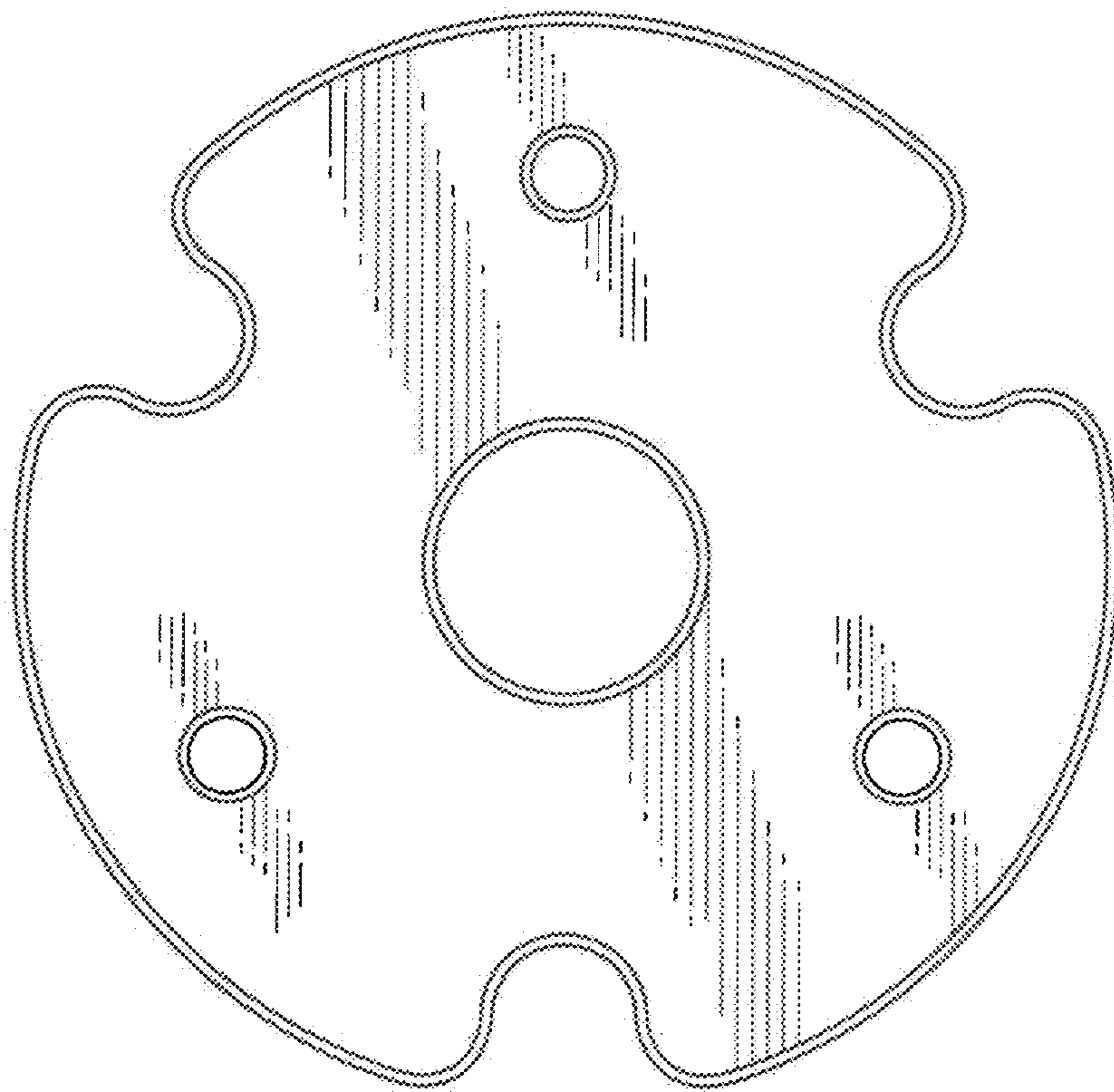


Fig. 6

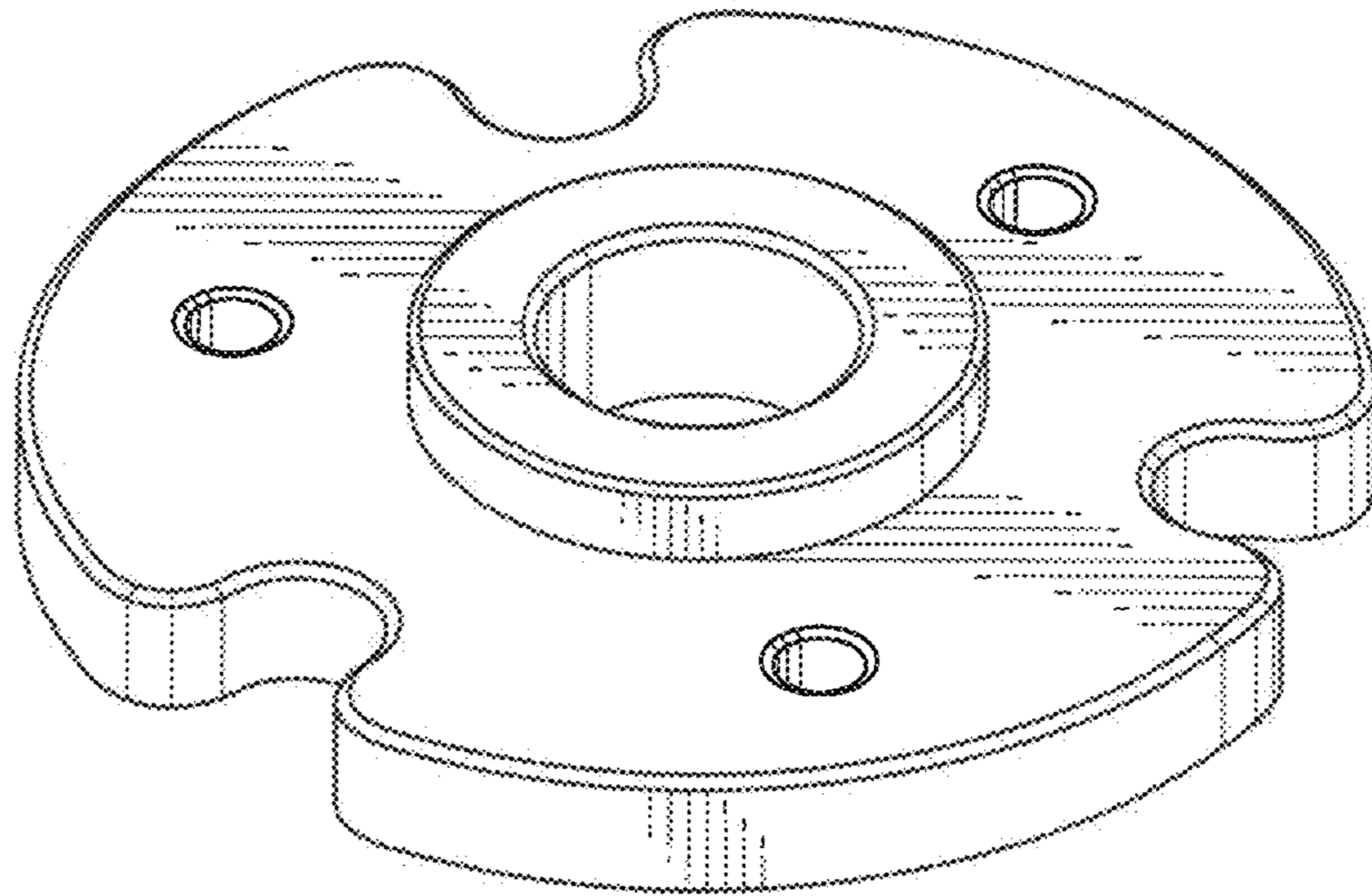


Fig. 7

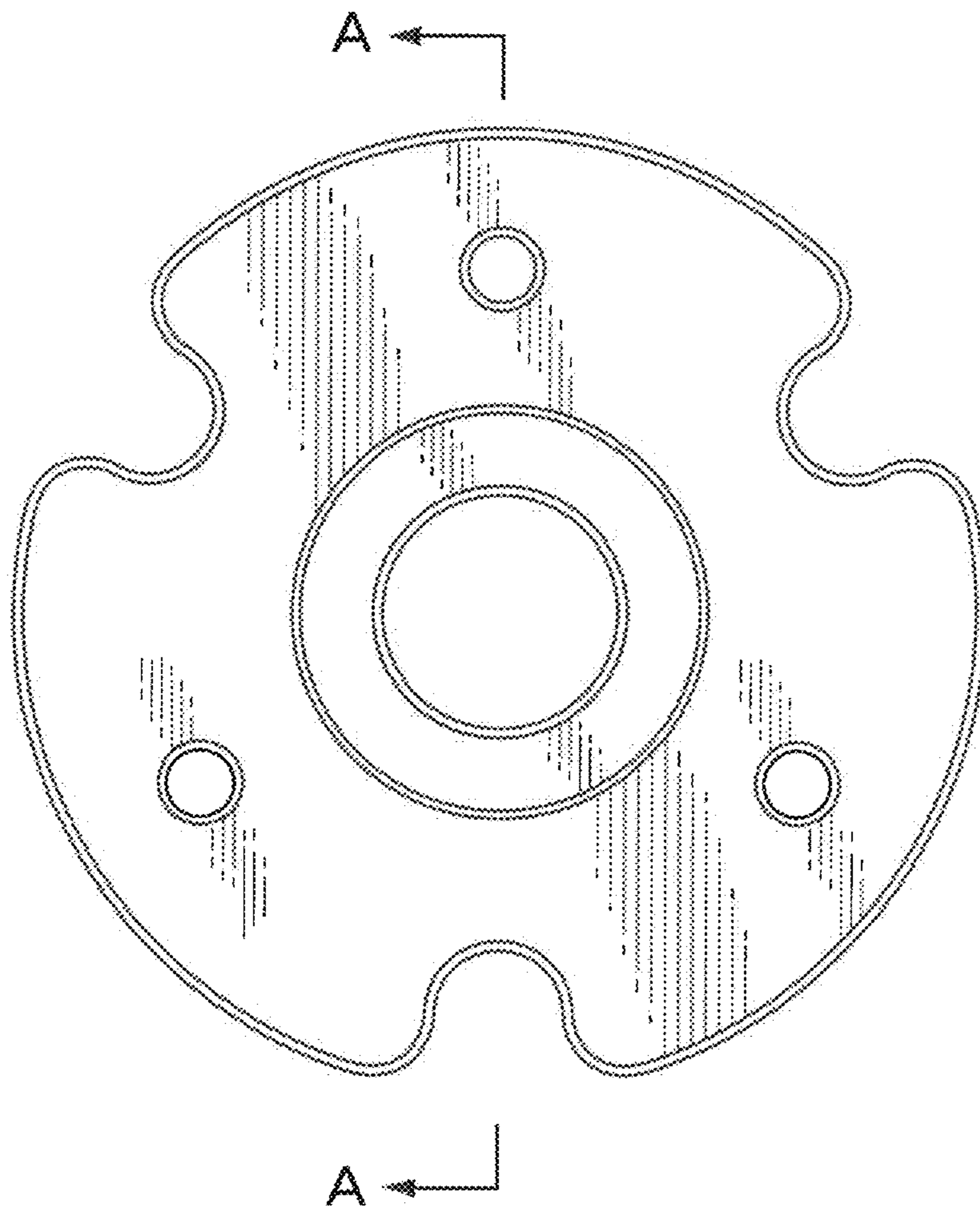


Fig. 8

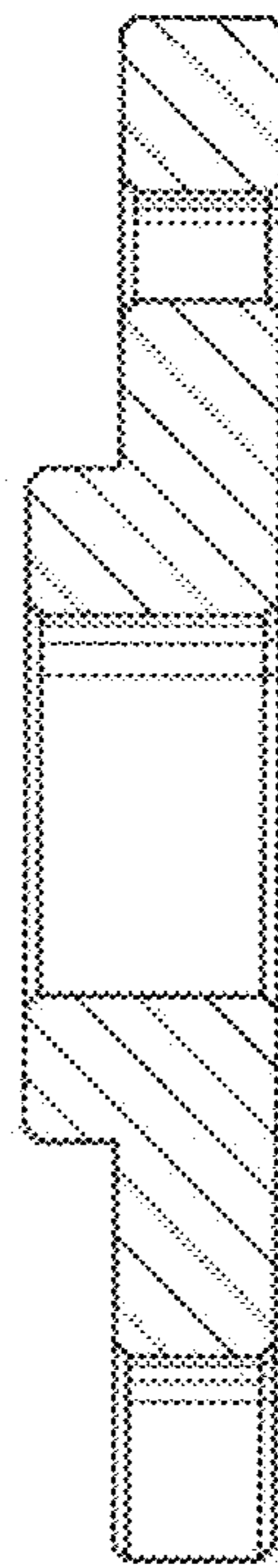


Fig. 9

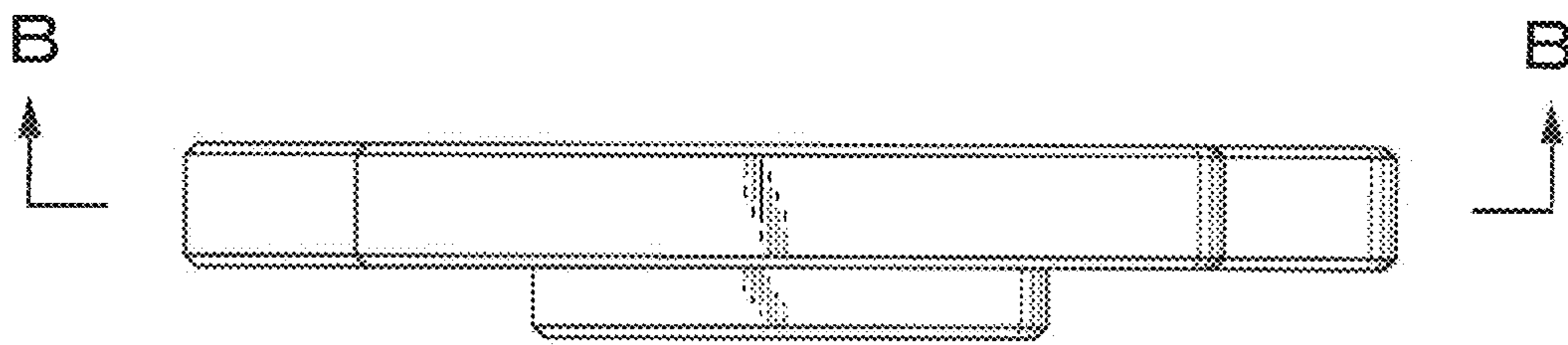
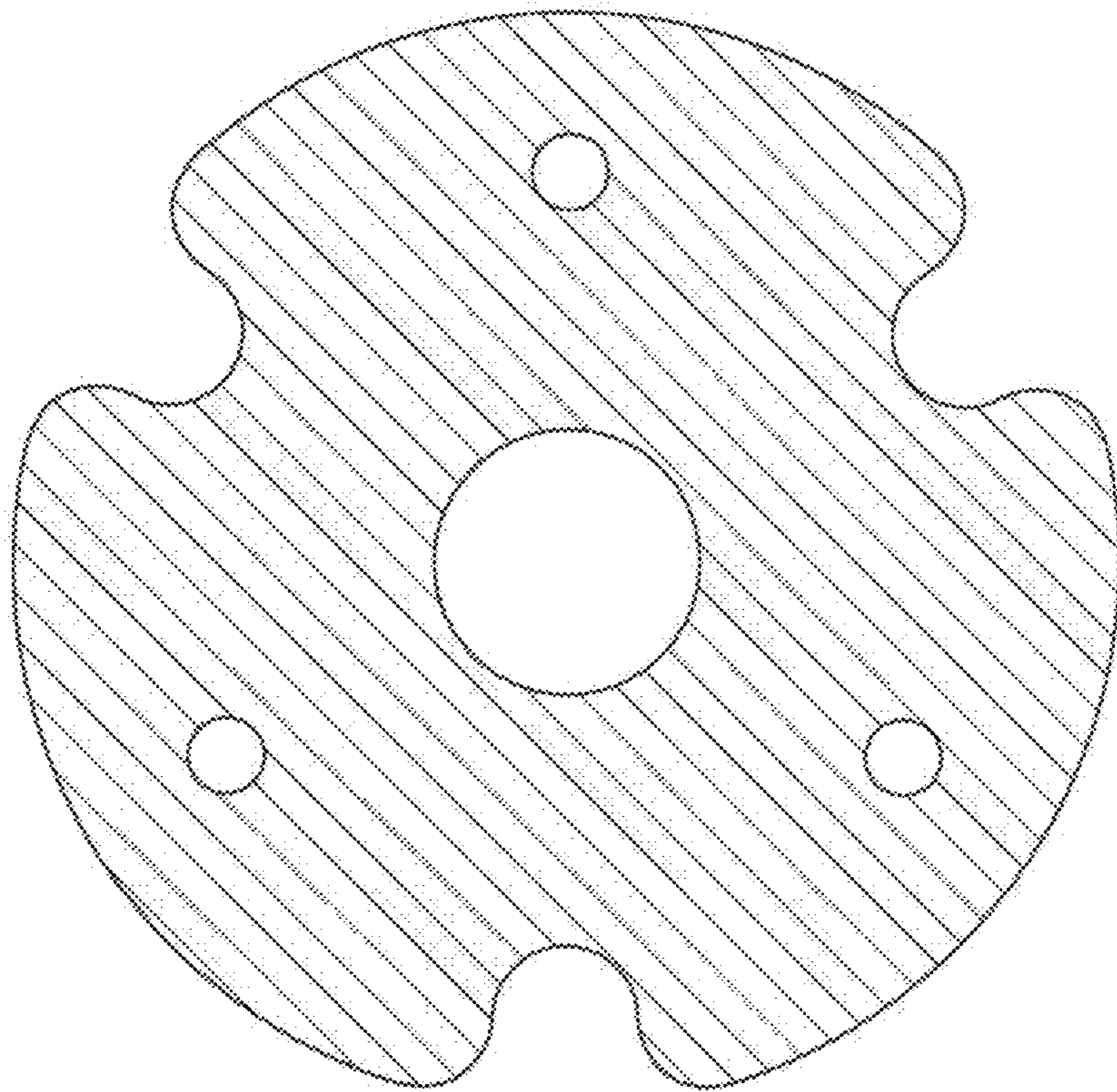


Fig. 10



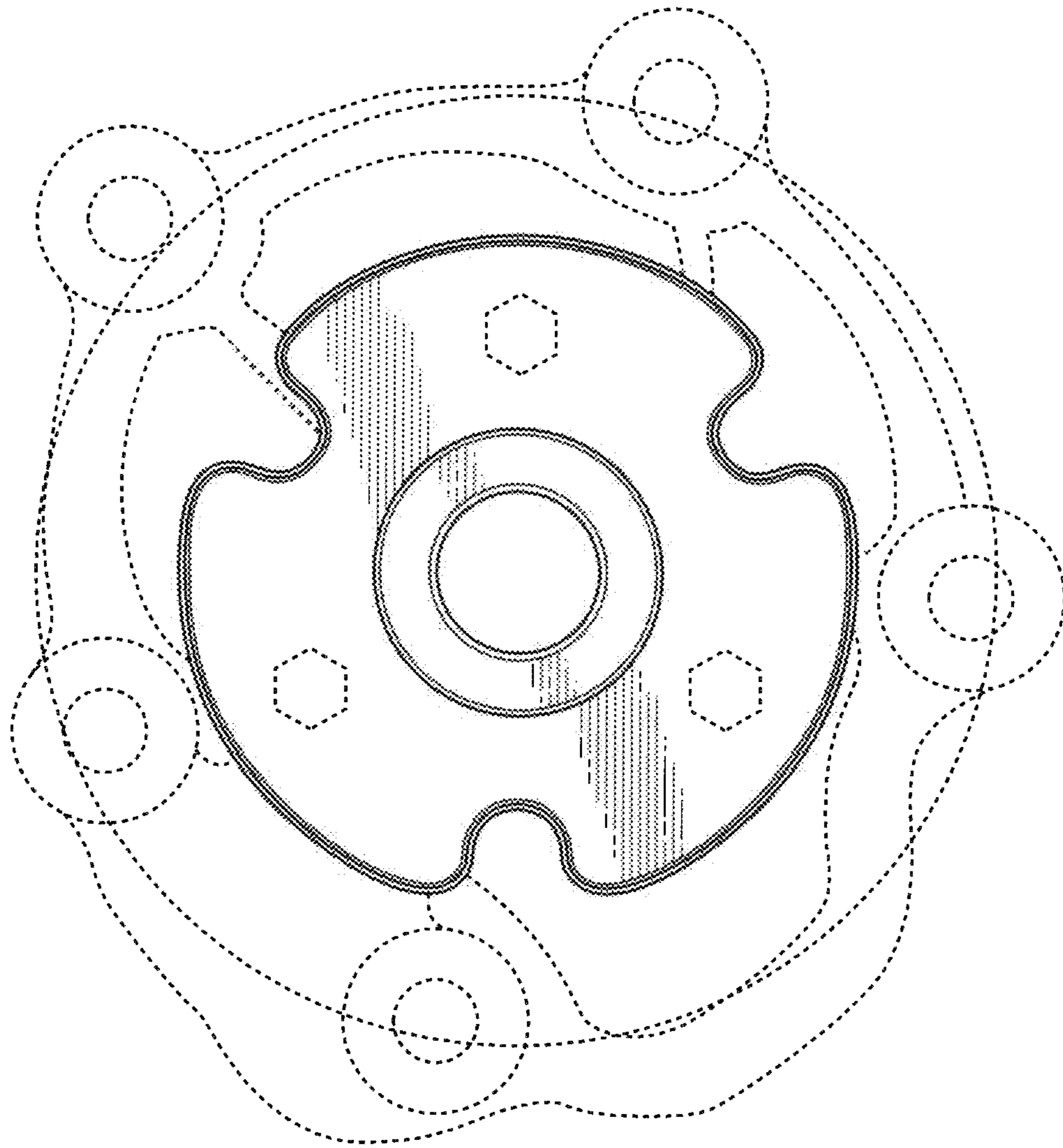


FIG. 11

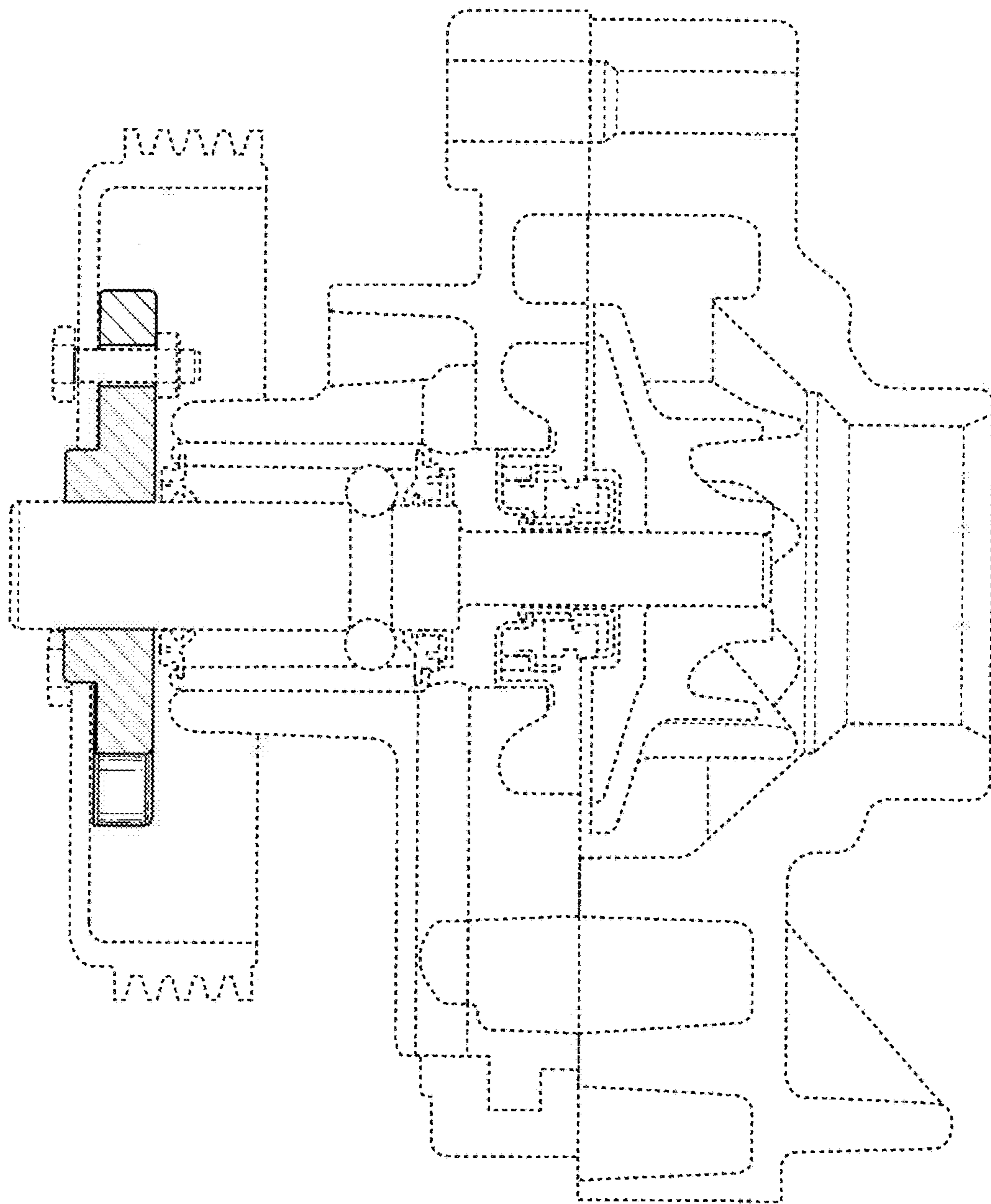


FIG. 12