



US00D875786S

(12) **United States Design Patent**
Fang et al.

(10) **Patent No.:** **US D875,786 S**

(45) **Date of Patent:** **** Feb. 18, 2020**

(54) **CD PLAYER**

(71) Applicants: **Yang Fang**, Hunan (CN); **Hui Min Wang**, Guangxi (CN)

(72) Inventors: **Yang Fang**, Hunan (CN); **Hui Min Wang**, Guangxi (CN)

(**) Term: **15 Years**

(21) Appl. No.: **29/670,789**

(22) Filed: **Nov. 20, 2018**

(51) **LOC (12) Cl.** **14-01**

(52) **U.S. Cl.**
USPC **D14/509**

(58) **Field of Classification Search**
USPC D14/356, 363, 365, 498-511
CPC B60K 35/00; B60K 37/00; B60K 37/02;
B60K 37/06; B60R 11/02; G11B 17/02;
G11B 17/04

See application file for complete search history.

(56) **References Cited**

U.S. PATENT DOCUMENTS

| | | | | |
|--------------|---------|-----------|-------|---------|
| D470,831 S * | 2/2003 | Zeitman | | D14/509 |
| D471,885 S * | 3/2003 | Wada | | D14/509 |
| D472,541 S * | 4/2003 | Yoshiyama | | D14/510 |
| D474,757 S * | 5/2003 | Takagi | | D14/509 |
| D475,035 S * | 5/2003 | Takagi | | D14/509 |
| D482,672 S * | 11/2003 | Takagi | | D14/509 |
| D488,796 S * | 4/2004 | Hirano | | D14/509 |
| D493,158 S * | 7/2004 | Yang | | D14/509 |

| | | | | |
|--------------|---------|-----------|-------|---------|
| D504,122 S * | 4/2005 | Zeitman | | D14/509 |
| D504,123 S * | 4/2005 | Katsuraku | | D14/509 |
| D512,400 S * | 12/2005 | Zeitman | | D14/509 |
| D513,506 S * | 1/2006 | Zeitman | | D14/509 |
| D518,016 S * | 3/2006 | Hirano | | D14/509 |
| D518,018 S * | 3/2006 | Hirano | | D14/509 |
| D522,995 S * | 6/2006 | Iijima | | D14/509 |
| D525,234 S * | 7/2006 | Yokoyama | | D14/509 |
| D528,100 S * | 9/2006 | Suzuki | | D14/509 |
| D532,402 S * | 11/2006 | Lee | | D14/509 |
| D532,403 S * | 11/2006 | Lee | | D14/509 |
| D532,768 S * | 11/2006 | Lee | | D14/509 |
| D535,639 S * | 1/2007 | Zeitman | | D14/509 |
| D535,640 S * | 1/2007 | Zeitman | | D14/509 |
| D540,295 S * | 4/2007 | Zeitman | | D14/509 |

* cited by examiner

Primary Examiner — Sandra L Morris

(57) **CLAIM**

The ornamental design for a CD player, as shown.

DESCRIPTION

FIG. 1 is a front elevational view of a CD player showing my new design;

FIG. 2 is a rear elevational view thereof;

FIG. 3 is a left side view thereof;

FIG. 4 is a right side view thereof;

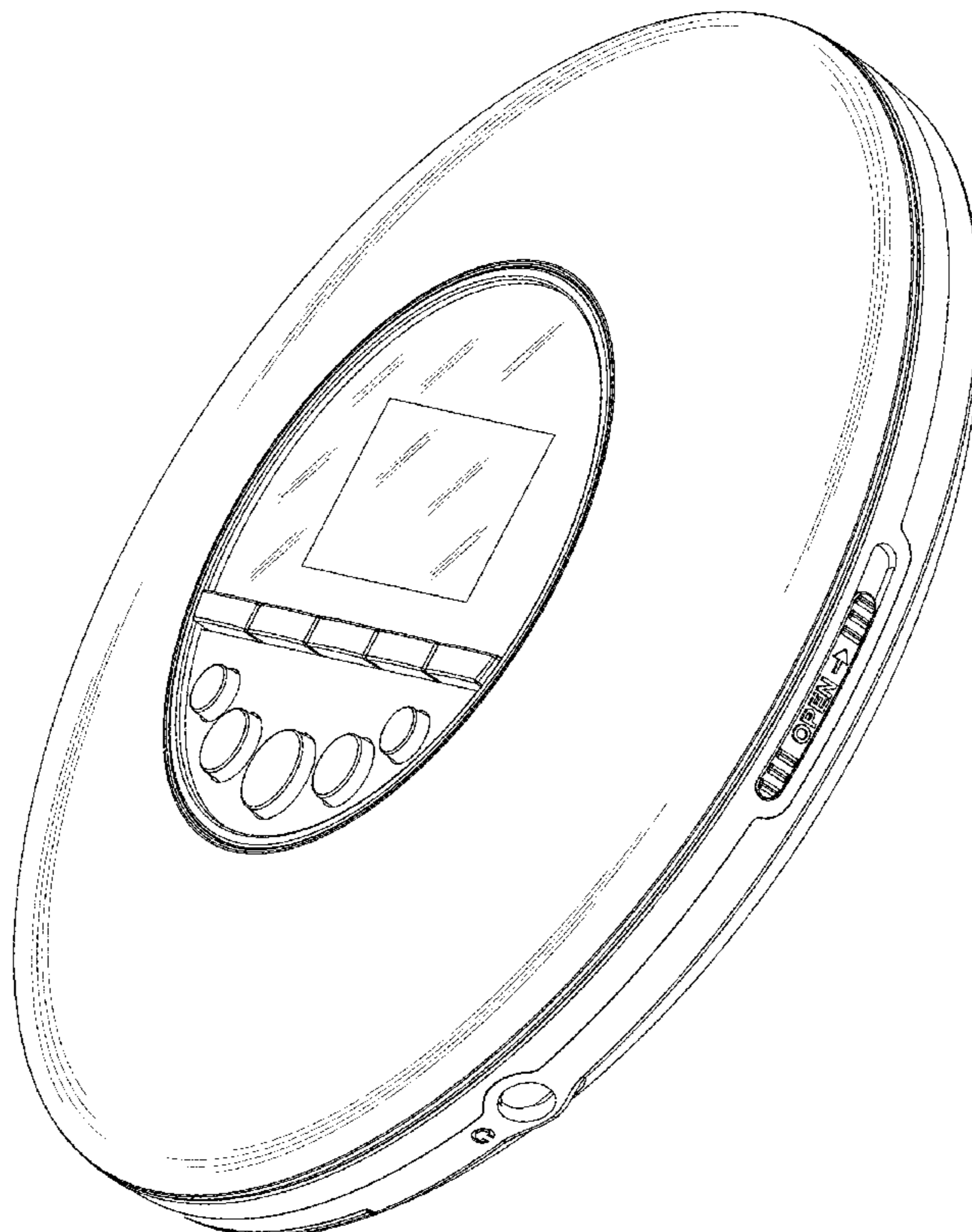
FIG. 5 is a top plan view thereof;

FIG. 6 is a bottom plan view thereof;

FIG. 7 is a front perspective view thereof; and,

FIG. 8 is a rear perspective view thereof.

1 Claim, 8 Drawing Sheets



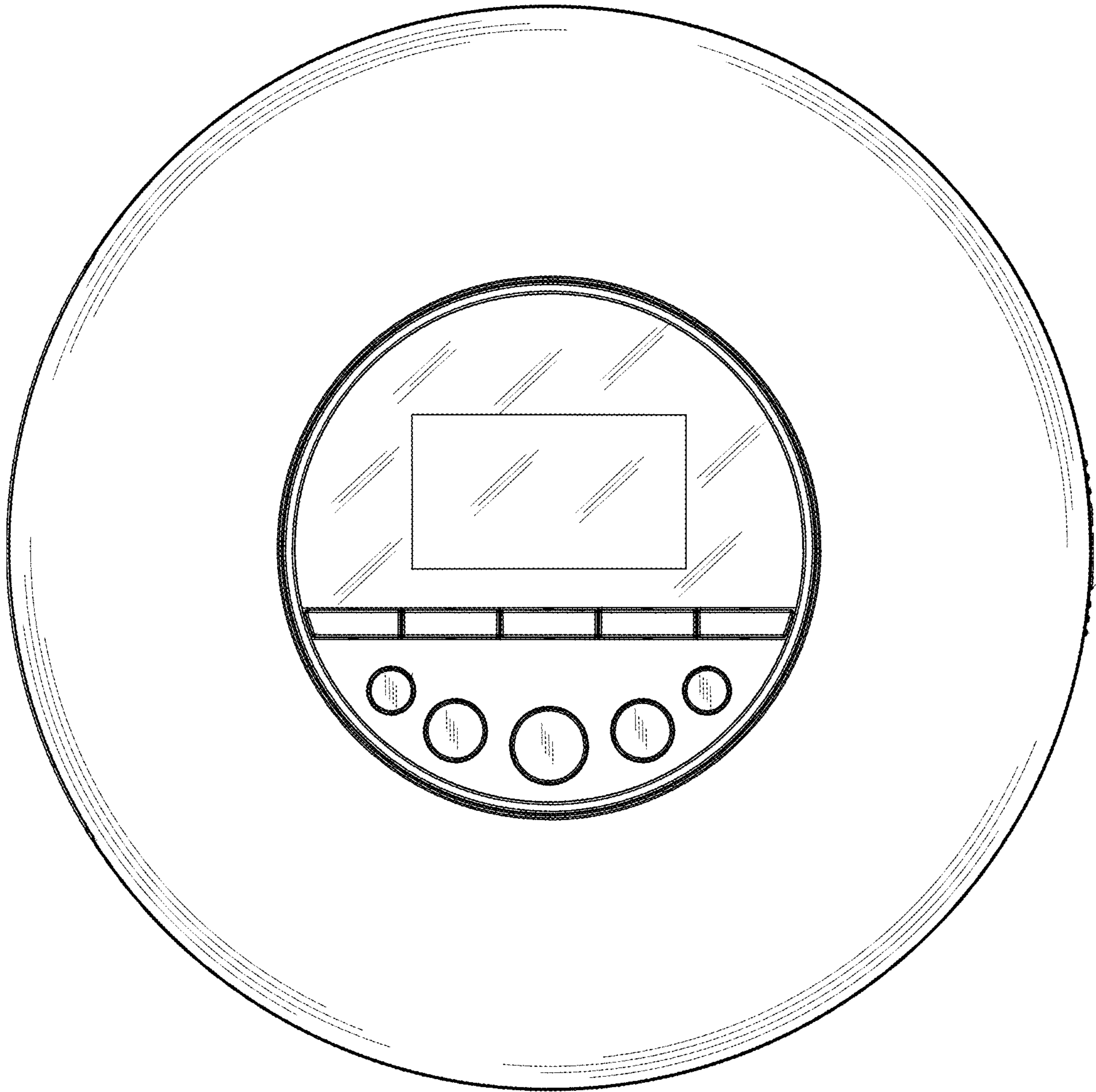


FIG. 1

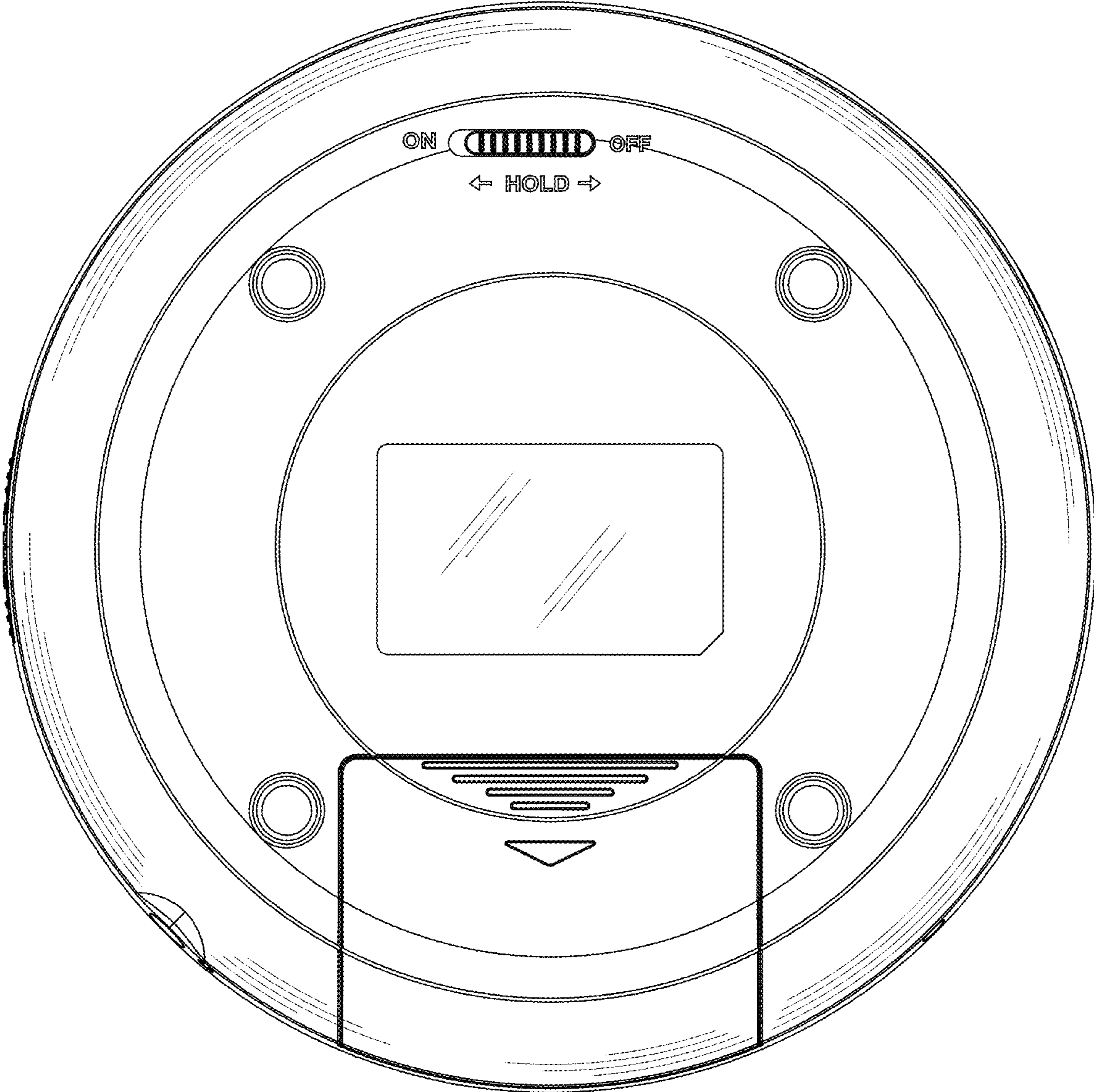


FIG. 2

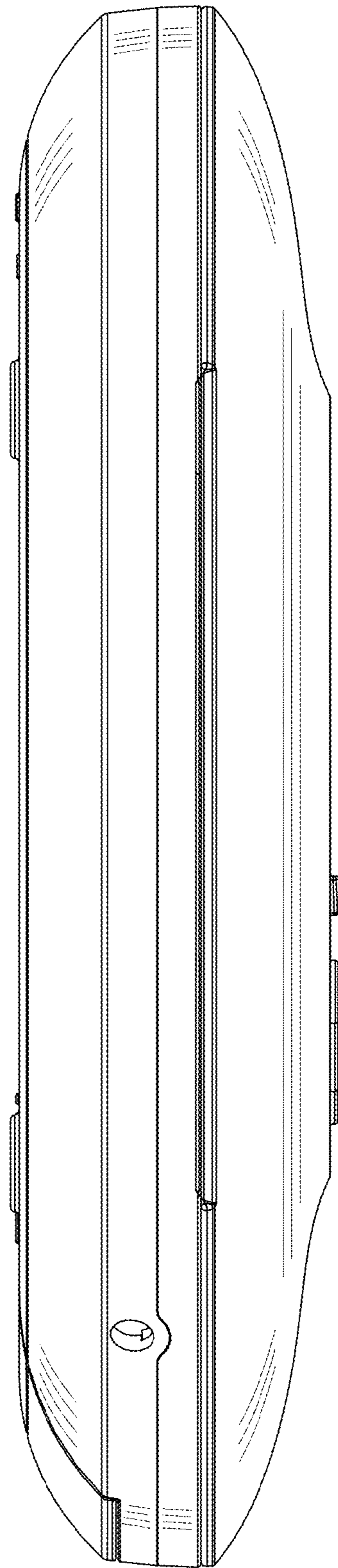


FIG. 3

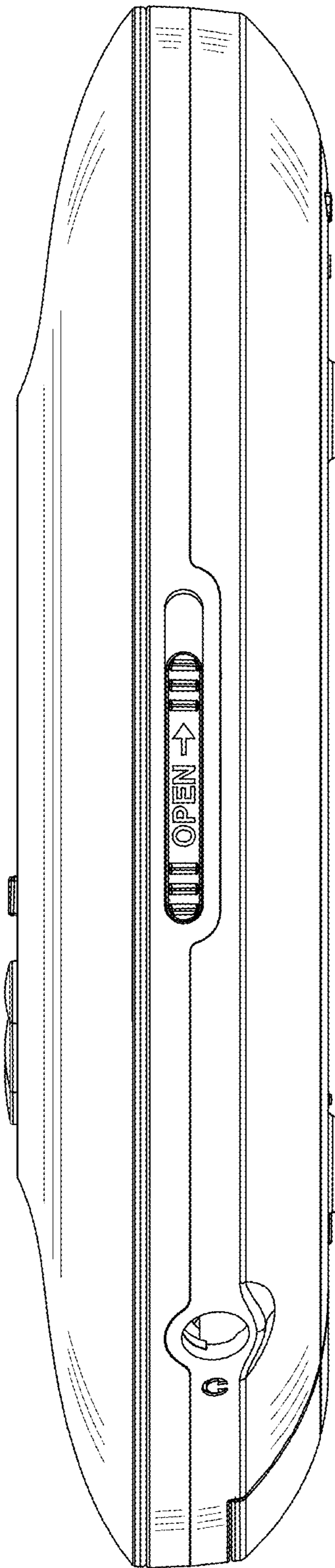


FIG. 4

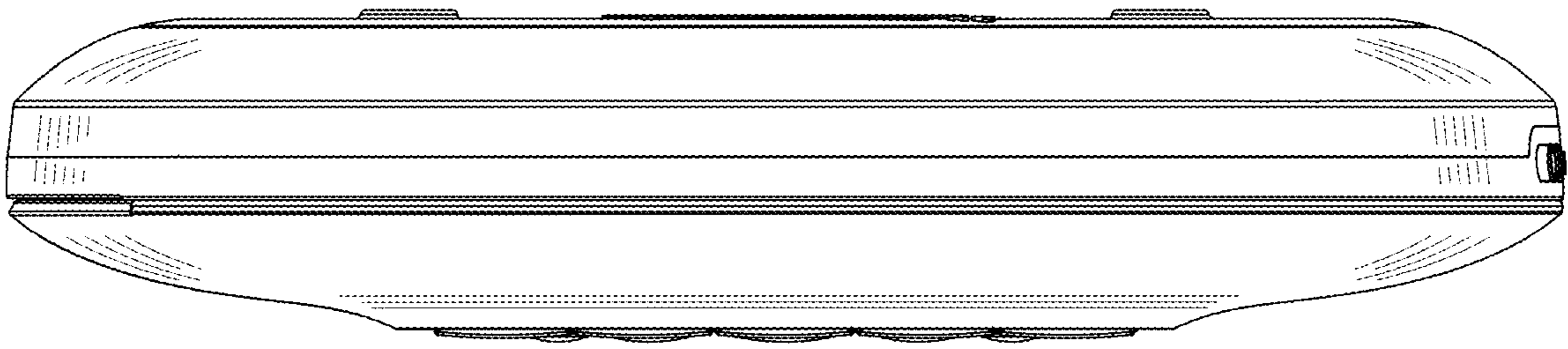


FIG. 5

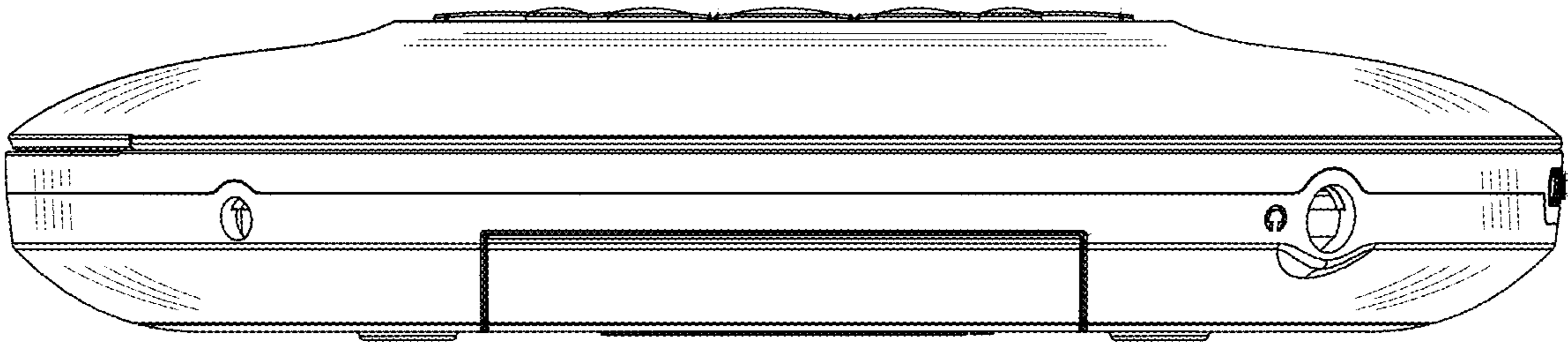


FIG. 6

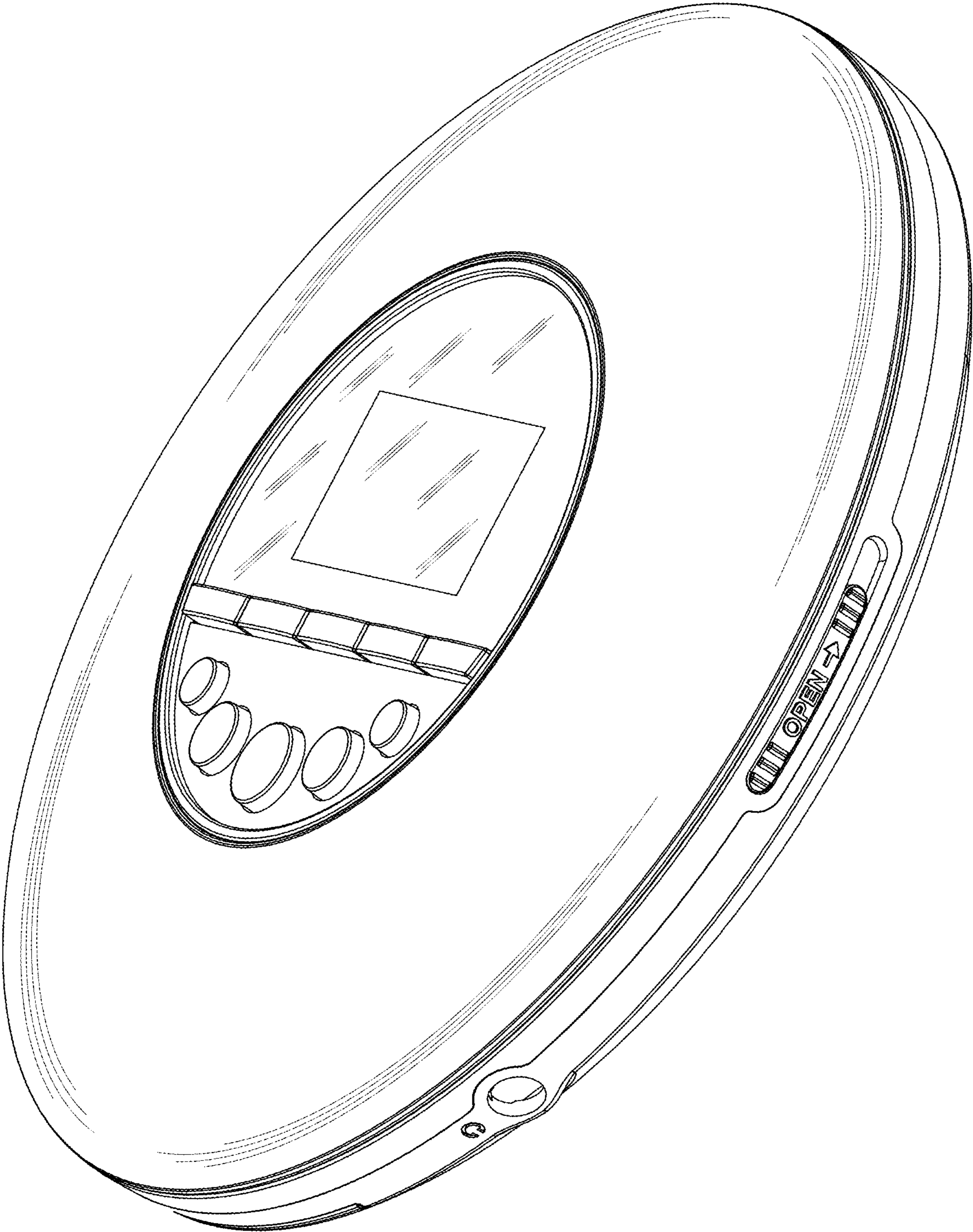


FIG. 7

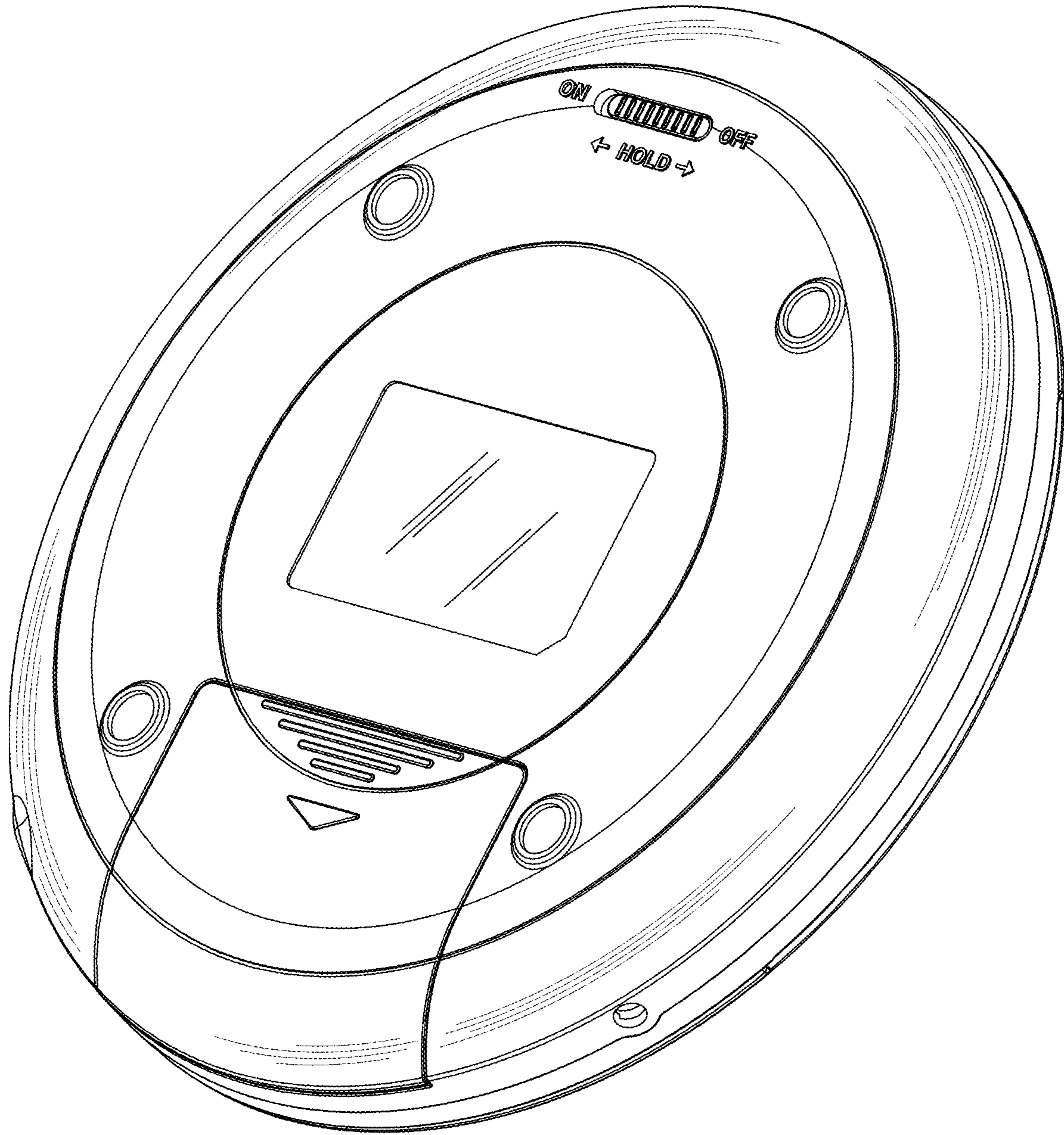


FIG. 8