



US00D875774S

(12) **United States Design Patent** (10) **Patent No.:** **US D875,774 S**
Uchida (45) **Date of Patent:** **** Feb. 18, 2020**

(54) **DISPLAY SCREEN WITH GRAPHICAL USER INTERFACE**

(71) Applicant: **Panasonic Intellectual Property Management Co., Ltd.**, Osaka-shi, Osaka (JP)

(72) Inventor: **Ryota Uchida**, Tokyo (JP)

(73) Assignee: **Panasonic Intellectual Property Management Co., Ltd.**, Osaka (JP)

(**) Term: **15 Years**

(21) Appl. No.: **29/632,016**

(22) Filed: **Jan. 4, 2018**

(51) **LOC (12) Cl.** **14-04**

(52) **U.S. Cl.**
USPC **D14/488**

(58) **Field of Classification Search**

USPC D14/485-495; D20/11; D21/324, 325
CPC G06F 3/048; G06F 3/0481; G06F 3/04817;
G06F 3/0482; G06F 3/0483; G06F
3/04842; G06F 3/0485; G06F 3/04855;
G06F 3/0486; G06F 3/0488; G06F
3/04883; G06F 3/04886; G06F 3/1431;
G06F 8/38; G06F 9/4443; G06F 17/211;
G06F 17/212; H04M 1/274525; H04M
1/72569; H04N 21/431; H04N 1/00453;
G06Q 30/0273; G11B 27/105

See application file for complete search history.

(56) **References Cited**

U.S. PATENT DOCUMENTS

D582,937 S * 12/2008 Chen D14/488
7,703,031 B2 * 4/2010 Nakagawa H04N 1/00453
715/765
D625,323 S * 10/2010 Matsushima D14/487
D632,700 S * 2/2011 Brinda D14/486
D633,921 S * 3/2011 Brinda D14/486

(Continued)

OTHER PUBLICATIONS

“post_secuencia.gif” Jul. 2017, posted at semmantica.com, [site visited Feb. 14, 2019]. http://www.semmantica.com/wp-content/uploads/2017/07/post_secuencia.gif.*

(Continued)

Primary Examiner — Jack Reickel

Assistant Examiner — John M Otte

(74) *Attorney, Agent, or Firm* — Brinks Gilson & Lione

(57) **CLAIM**

I claim the ornamental design for a display screen with graphical user interface, as shown and described.

DESCRIPTION

FIG. 1 is a front view of a display screen with graphical user interface showing a first image in a first sequence according to the present invention;

FIG. 2 is a front view thereof showing a second image in the first sequence thereof;

FIG. 3 is a front view thereof showing a third image in the first sequence thereof;

FIG. 4 is a front view of a display screen with graphical user interface showing a first image in a second sequence according to the present invention;

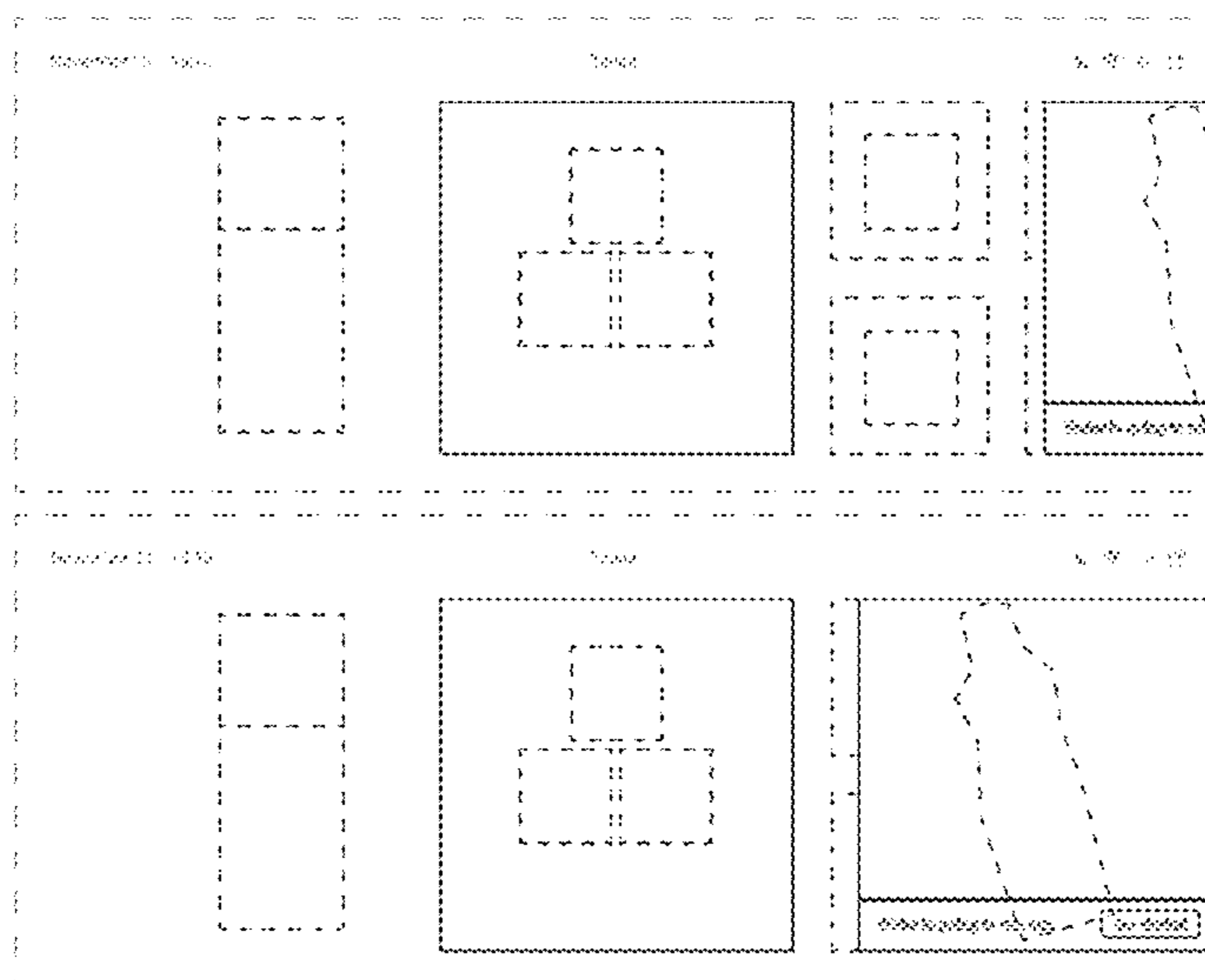
FIG. 5 is a front view thereof showing a second image in the second sequence thereof; and,

FIG. 6 is a front view thereof showing a third image in the second sequence thereof.

The appearance of the transitional image sequentially transitions between FIGS. 1-3. No ornamental aspects are associated with the process or period in which one image transitions to another image.

The appearance of the transitional image sequentially transitions between FIGS. 4-6. No ornamental aspects are associated with the process or period in which one image transitions to another image.

1 Claim, 6 Drawing Sheets



(56)

References Cited

U.S. PATENT DOCUMENTS

D638,853 S * 5/2011 Brinda D14/488
 D641,372 S * 7/2011 Gardner D14/486
 D672,364 S * 12/2012 Reyna D14/486
 D686,237 S * 7/2013 Alucema D14/486
 D695,780 S * 12/2013 Edwards D14/488
 D695,781 S * 12/2013 Edwards D14/488
 D696,279 S * 12/2013 Bortman D14/486
 D715,832 S * 10/2014 Lee D14/488
 D725,670 S * 3/2015 Zhang D14/488
 D738,908 S * 9/2015 Herold D14/488
 D743,999 S * 11/2015 Villamor D14/488
 D745,550 S * 12/2015 Sanderson D14/488
 D746,323 S * 12/2015 Gray D14/488
 D750,644 S * 3/2016 Bhutani D14/485
 D753,158 S * 4/2016 Mezzanotte D14/486
 D753,699 S * 4/2016 Tsukamoto D14/487
 D754,719 S * 4/2016 Zha D14/488
 D757,788 S * 5/2016 Shrivastava D14/488
 D760,732 S * 7/2016 Sakai D14/485
 D763,906 S * 8/2016 Seo D14/486
 D765,093 S * 8/2016 Sonoda D14/485
 D765,134 S * 8/2016 Lee D14/487
 D765,707 S * 9/2016 Gomez D14/486
 D769,303 S * 10/2016 Rodriguez D14/488
 D769,306 S * 10/2016 Bowen D14/488
 D772,890 S * 11/2016 Bauer D14/485
 D781,328 S * 3/2017 Fong D14/486
 D792,438 S * 7/2017 Kim D14/486
 D809,003 S * 1/2018 Sowden D14/488
 D816,110 S * 4/2018 Choi D14/488
 D821,439 S * 6/2018 Sowden D14/488
 D823,337 S * 7/2018 Shelksohn D14/488
 D825,594 S * 8/2018 Wu D14/486
 D834,602 S * 11/2018 Bao D14/486
 D849,027 S * 5/2019 Rocha D14/486
 2003/0148790 A1 * 8/2003 Pappalardo H04M 1/274525
 455/558
 2008/0024444 A1 * 1/2008 Abe G06F 3/0485
 345/157
 2008/0187248 A1 * 8/2008 Ikeda H04N 1/0044
 382/305
 2009/0007017 A1 * 1/2009 Anzures G06F 3/04883
 715/835
 2009/0313578 A1 * 12/2009 Roh H04N 21/431
 715/790
 2010/0095240 A1 * 4/2010 Shiplacoff G06F 3/0483
 715/784
 2010/0205567 A1 * 8/2010 Haire G06F 8/38
 715/840
 2010/0277496 A1 * 11/2010 Kawanishi G06F 3/0485
 345/589

2011/0252357 A1 * 10/2011 Chaudhri G06F 3/04883
 715/780
 2013/0117130 A1 * 5/2013 Dyor G06Q 30/0273
 705/14.71
 2013/0145295 A1 * 6/2013 Bocking G06F 3/017
 715/764
 2013/0254709 A1 * 9/2013 Koshimae G06F 3/0481
 715/799
 2014/0157191 A1 * 6/2014 Shiplacoff G06F 3/0483
 715/788
 2014/0223307 A1 * 8/2014 McIntosh G11B 27/105
 715/719
 2014/0232671 A1 * 8/2014 Chaudhri G06F 3/04883
 345/173
 2014/0282208 A1 * 9/2014 Chaudhri G06F 3/04883
 715/779
 2014/0351728 A1 * 11/2014 Seo H04M 1/72569
 715/766
 2014/0365957 A1 * 12/2014 Louch G06F 3/1431
 715/790

OTHER PUBLICATIONS

Carey-Simos, George, “7 Creative Ways To Use Facebook Carousel Ads” Jan. 6, 2016, posted at wersm.com, [site visited Feb. 14, 2019]. <https://wersm.com/7-creative-ways-to-use-facebook-carousel-ads>.*

Tran, David, “UICollectionView with Swift: Build Carousel Like Home Screen—iOS Development Tutorial Pt 2” Jun. 20, 2015, posted at youtube.com, [site visited Feb. 14, 2019]. https://www.youtube.com/watch?v=_d-xZv0JrRET.*

“Example ? #5” Dec. 2, 2016, posted at github.com, [site visited Feb. 14, 2019]. <https://github.com/archriss/react-native-snap-carousel/issues/5>.*

“12057035_450173881852374_1798311506_n.gif” Feb. 13, 2017, posted at amvos.com, [site visited May 20, 2019]. http://www.amvos.com/wp-content/uploads/2015/11/12057035_450173881852374_1798311506_n.gif.*

Salmon, Valentin, “Swipe cards transition” Nov. 3, 2016, posted at dribbble.com, [site visited May 20, 2019]. <https://dribbble.com/shots/3067043-Swipe-cards-transition>.*

“loader.gif” Jul. 6, 2017, posted at streets.sandiego.gov, [site visited Oct. 28, 2019]. <http://streets.sandiego.gov/assets/images/loader.gif>.*

Jack, Robin, “CSS Grid Layout: How to Use minmax” Jul. 16, 2017, posted at robinsjackusa.weebly.com, [site visited Oct. 28, 2019]. <http://robinsjackusa.weebly.com/blog/css-grid-layout-how-to-use-minmax6103921>.*

* cited by examiner

FIG. 1

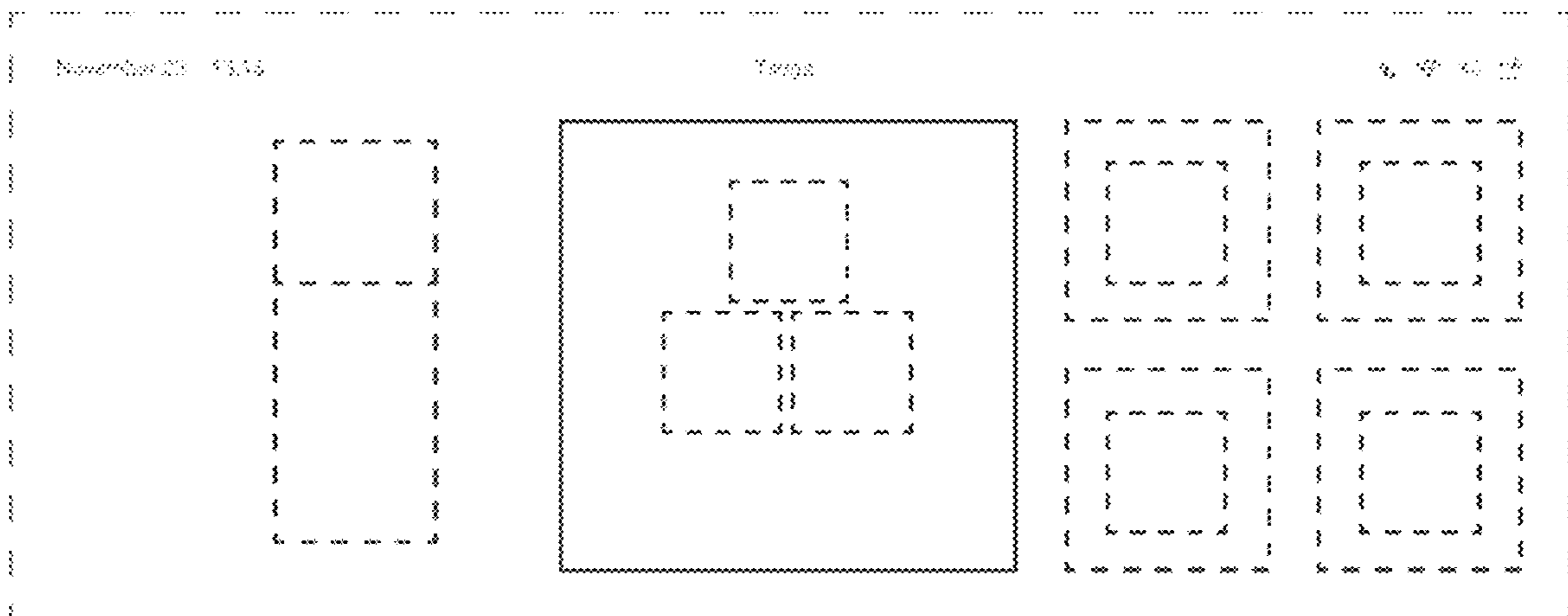


FIG. 2

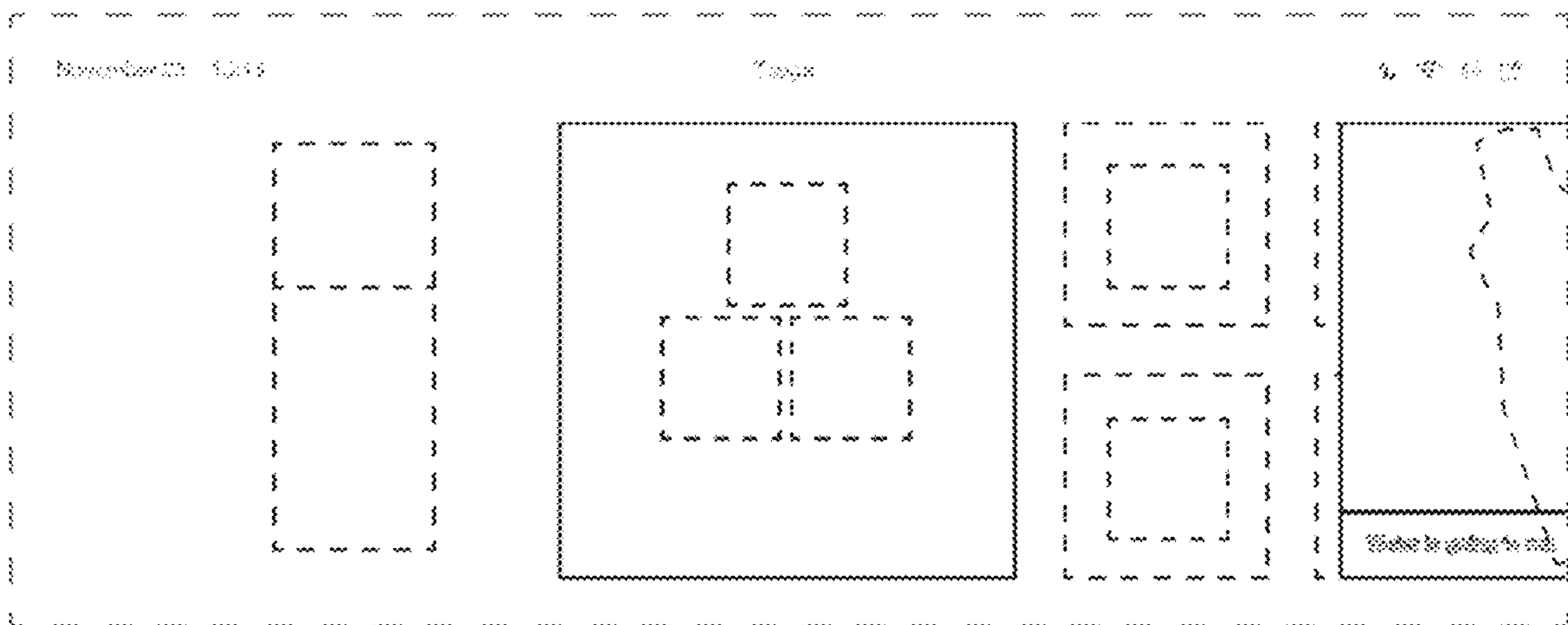


FIG. 3

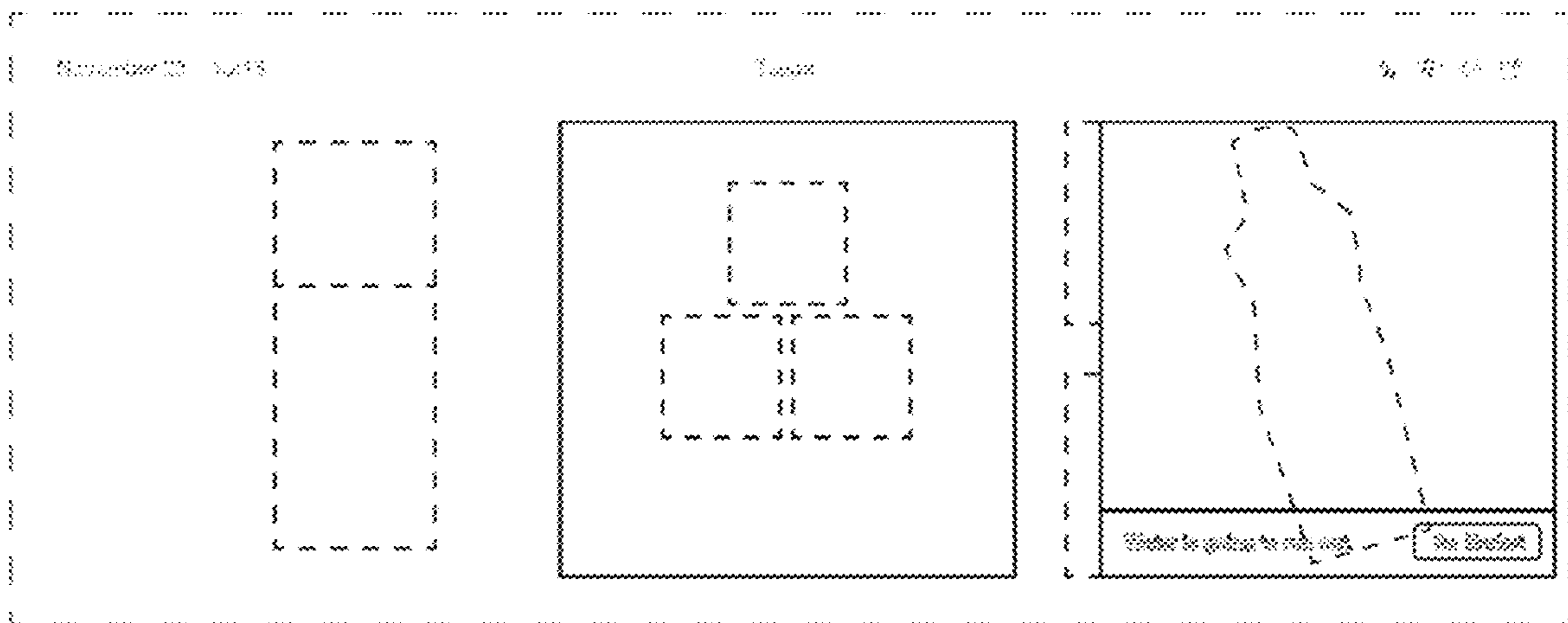


FIG. 4

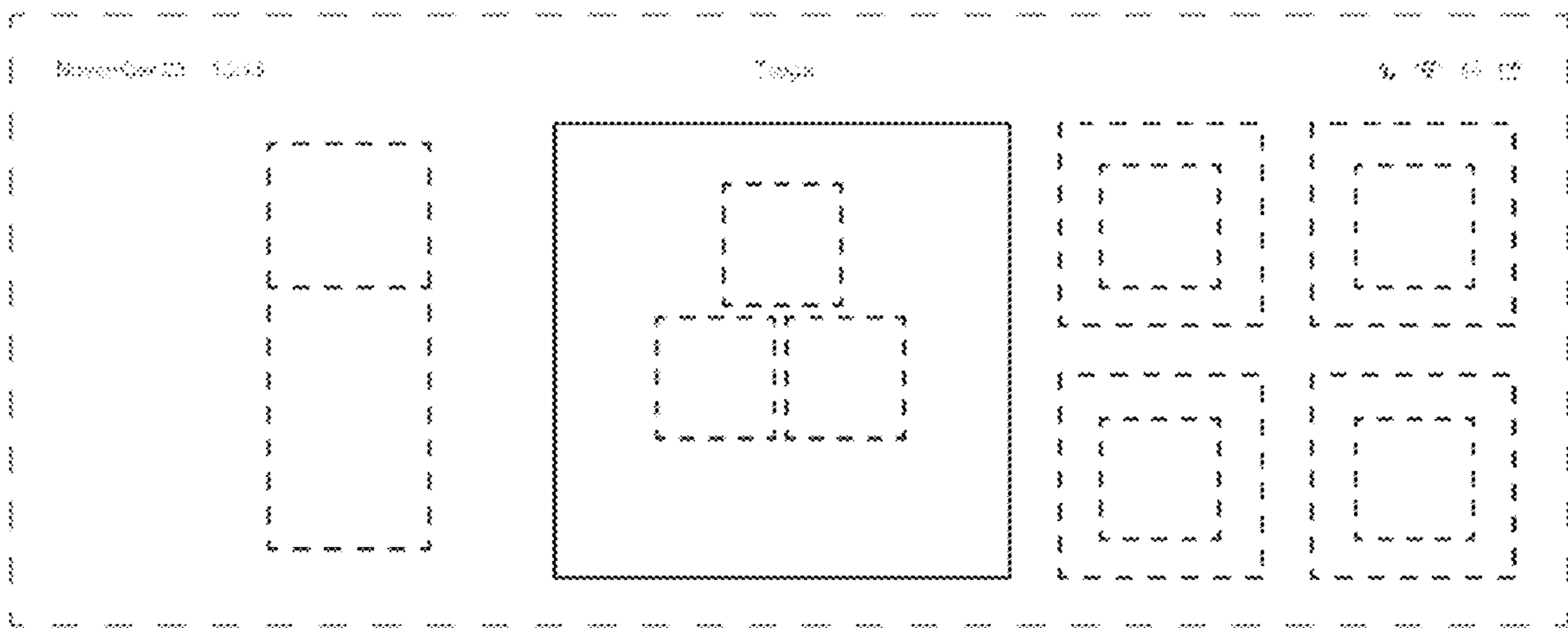


FIG. 5

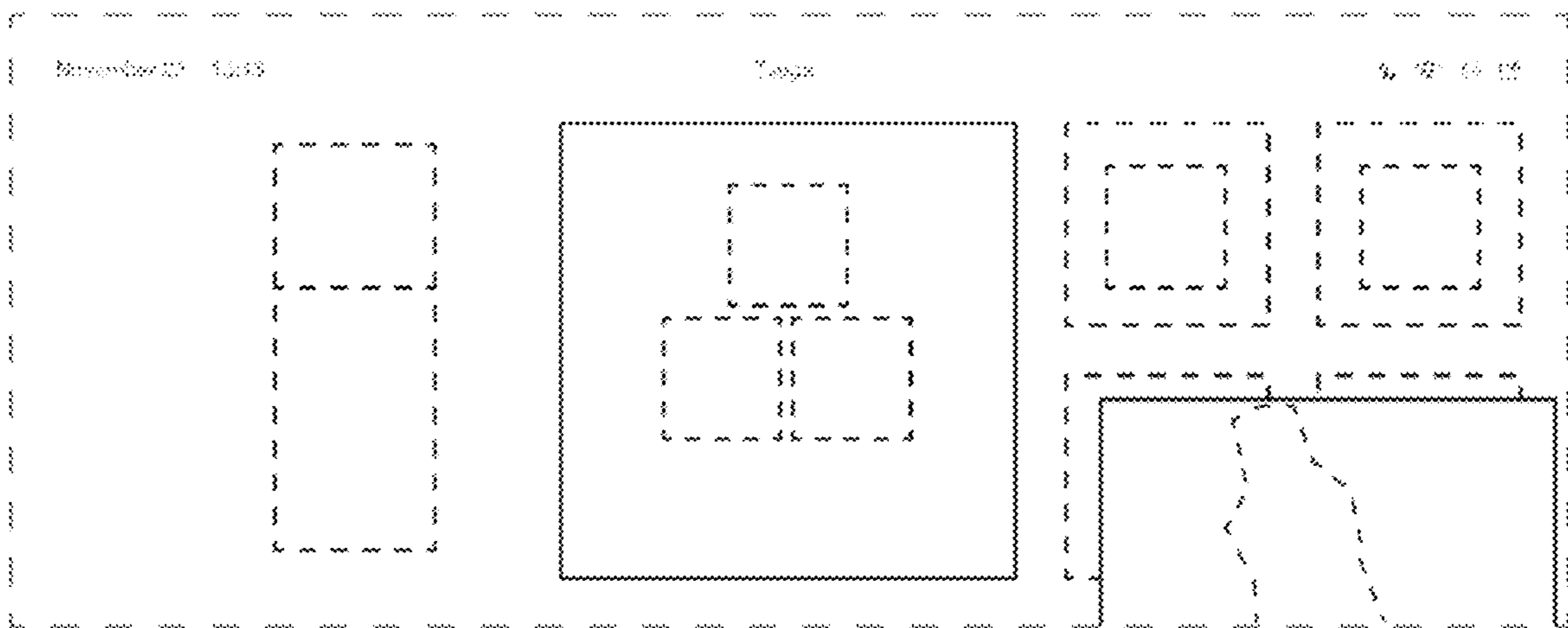


FIG. 6

