



US00D875739S

(12) **United States Design Patent** (10) **Patent No.:** **US D875,739 S**
Schuler et al. (45) **Date of Patent:** **** Feb. 18, 2020**

(54) **DISPLAY SCREEN OR A PORTION THEREOF WITH A GRAPHICAL USER INTERFACE**

(71) Applicant: **Schuler-Haas Electric Corp.**, Rochester, NY (US)

(72) Inventors: **Edward Timothy Schuler**, Rochester, NY (US); **Daniel Jonathan Streicher**, Victor, NY (US); **Kevin Michael Rickett**, Bloomfield, NY (US); **Gregory Doble Cummins**, Rochester, NY (US)

(73) Assignee: **Schuler-Haas Electric Corp.**, Rochester, NY (US)

(**) Term: **15 Years**

(21) Appl. No.: **29/627,416**

(22) Filed: **Nov. 27, 2017**

(51) **LOC (12) Cl.** **14-04**

(52) **U.S. Cl.**
USPC **D14/485**

(58) **Field of Classification Search**
USPC D14/485-495
CPC G06F 3/04817; G06F 3/0482
See application file for complete search history.

(56) **References Cited**

U.S. PATENT DOCUMENTS

D469,104 S *	1/2003	Istvan	D14/486
D592,218 S *	5/2009	Blankenship	D14/485
D660,860 S *	5/2012	Louch	D14/485
D680,551 S *	4/2013	Ishii	D14/491
D726,196 S *	4/2015	van Os	D14/485

D750,638 S *	3/2016	Kim	D14/485
D759,060 S *	6/2016	Kim	D14/485
D769,257 S *	10/2016	Hall	D14/485
D774,049 S *	12/2016	Suzaki	D14/485
D774,519 S *	12/2016	Yuk	D14/485
D777,178 S *	1/2017	Kwak	D14/485
D780,784 S *	3/2017	Mandawat	D14/486
D793,430 S *	8/2017	Huh	D14/489
D802,017 S *	11/2017	Dragoi	D14/491
2010/0273610 A1 *	10/2010	Johnson	G06F 16/284 482/9
2011/0187720 A1 *	8/2011	Pedersen	G06T 11/20 345/442
2014/0071043 A1 *	3/2014	Jung	G06F 3/03 345/156

* cited by examiner

Primary Examiner — Richelle G Shelton

(74) *Attorney, Agent, or Firm* — Nixon Peabody LLP

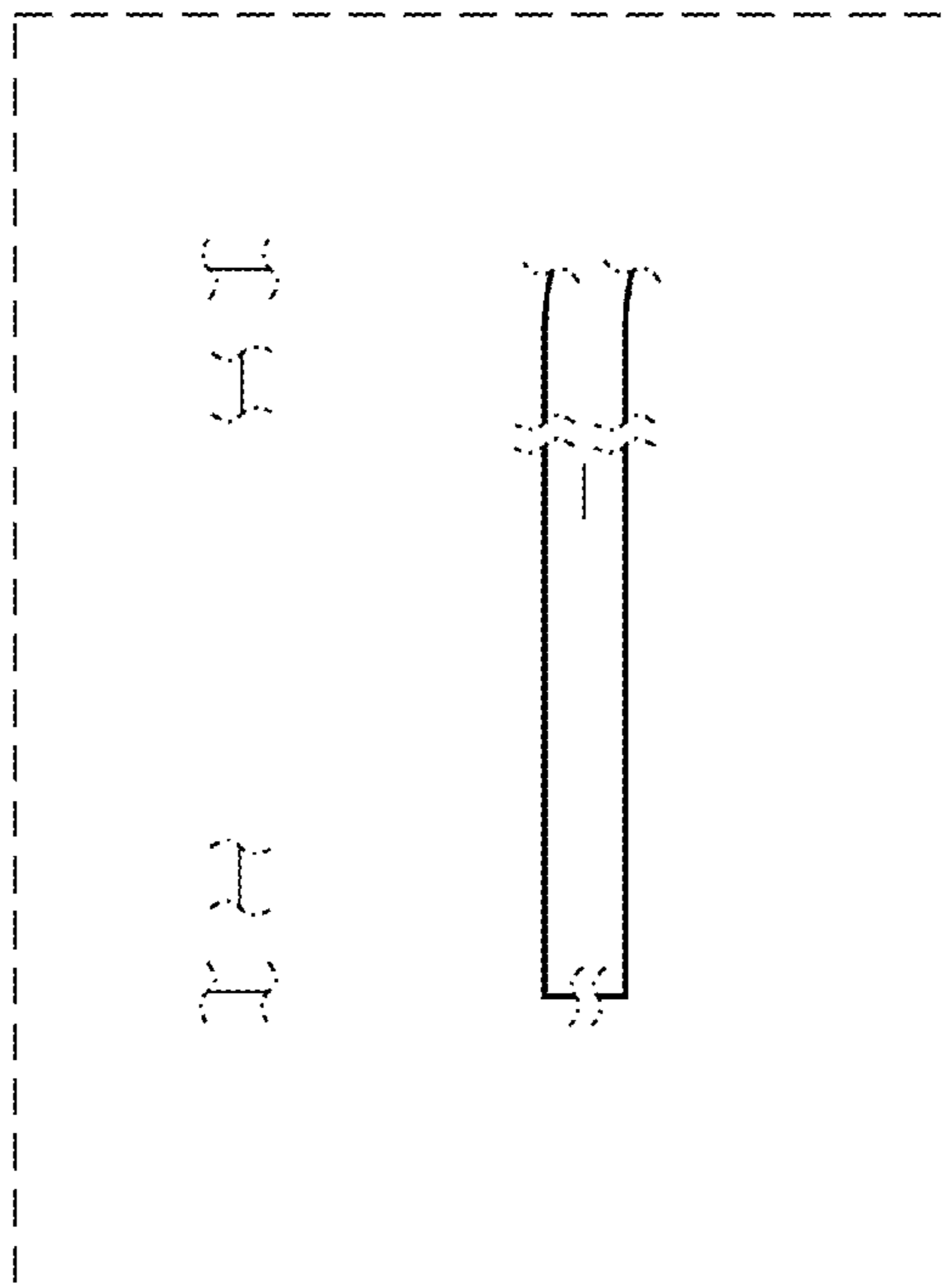
(57) **CLAIM**

The ornamental design for a display screen or portion thereof with graphical user interface, as shown and described.

DESCRIPTION

FIG. 1 is a front view of a display screen or a portion thereof with a graphical user interface.
FIG. 2 is a front view of a second embodiment thereof; and, FIG. 3 is a front view of a third embodiment thereof.
The dash-dot-dash broken lines shown on the graphical user interface form no part of the claimed design.
In all of the figures, the outermost broken lines forming a dash-dash line pattern show a display screen or a portion thereof, and form no part of the claimed design.

1 Claim, 3 Drawing Sheets



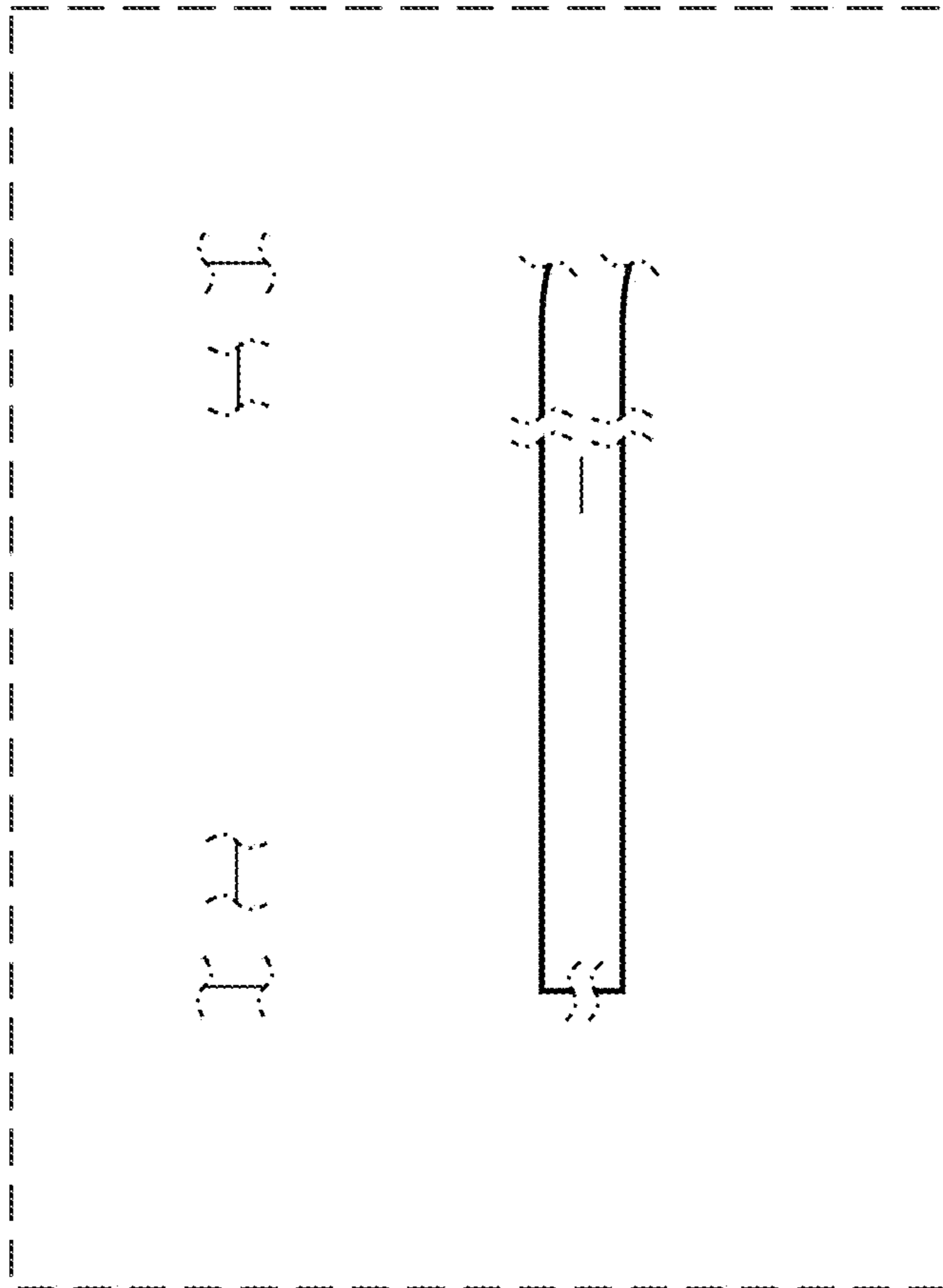


Fig. 1

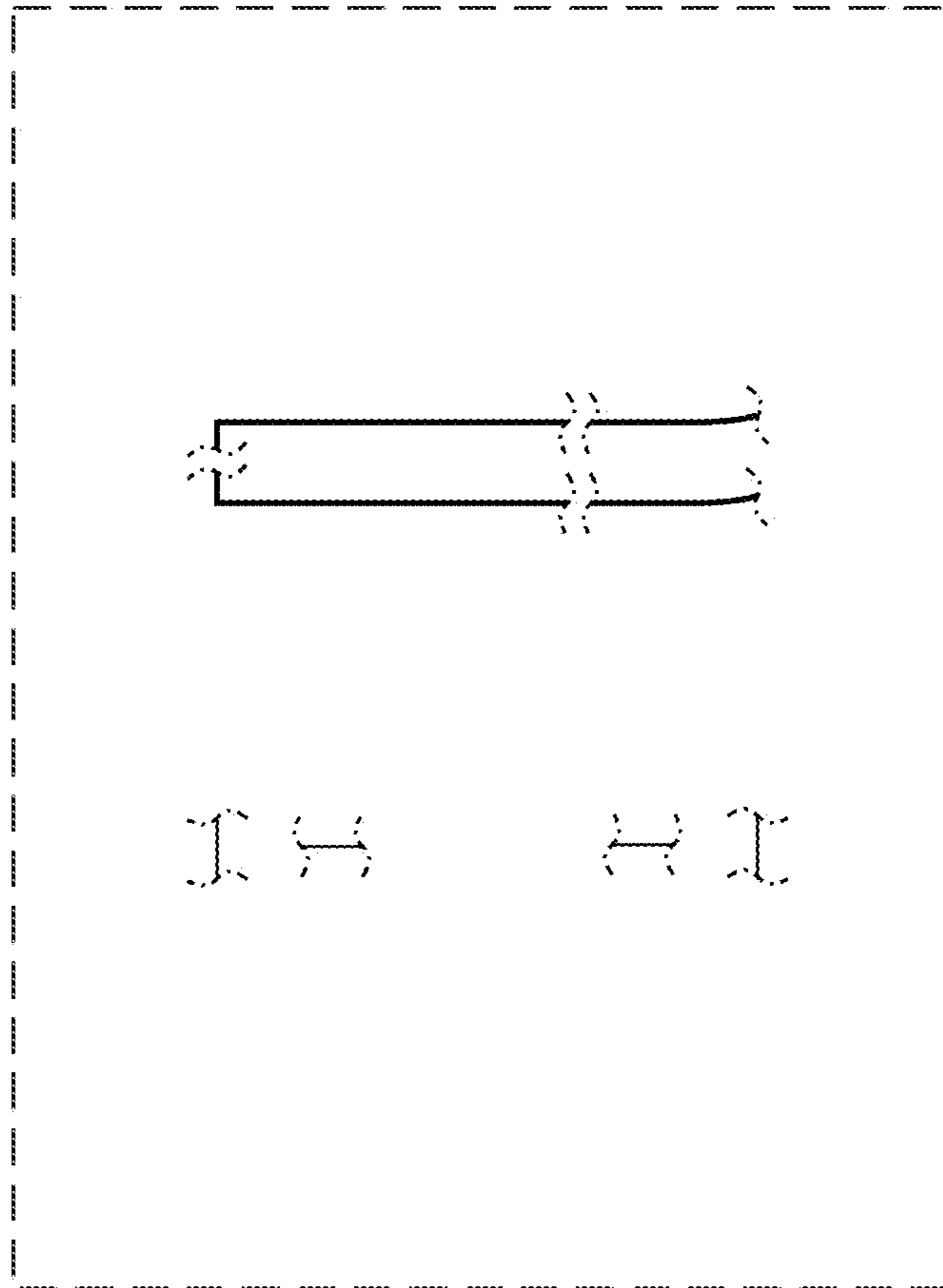


Fig. 2

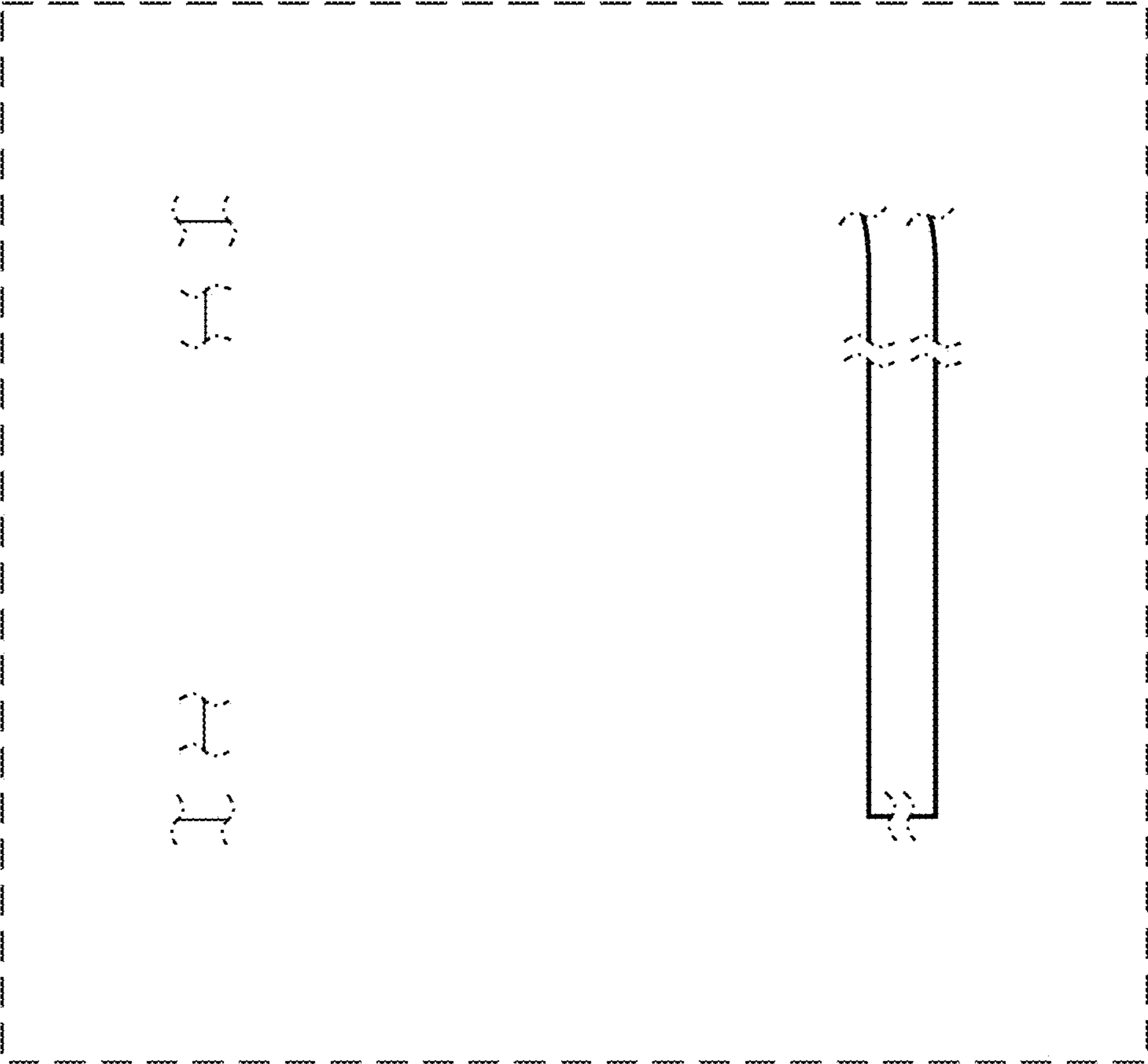


Fig. 3