



US00D875738S

(12) **United States Design Patent**  
**Jin et al.**

(10) **Patent No.:** **US D875,738 S**  
(45) **Date of Patent:** **\*\* Feb. 18, 2020**

(54) **KEYBOARD SWITCH**

(71) Applicant: **Kingston Digital, Inc.**, Fountain Valley, CA (US)

(72) Inventors: **Albert Jin**, Fountain Valley, CA (US); **Sean Peralta**, Fountain Valley, CA (US); **Baron King Lee**, Fountain Valley, CA (US); **Peter Leekuo Chou**, Fountain Valley, CA (US); **Guan Hua Tzeng**, Hsinchu (TW); **Wei Min Liang**, Hsinchu (TW)

(73) Assignee: **Kingston Digital, Inc.**, Fountain Valley, CA (US)

(\*\*) Term: **15 Years**

(21) Appl. No.: **29/668,933**

(22) Filed: **Nov. 2, 2018**

(51) **LOC (12) Cl.** ..... **14-02**

(52) **U.S. Cl.**  
USPC ..... **D14/456**

(58) **Field of Classification Search**  
USPC ..... D14/250, 315-327, 345, 391-399, 440, D14/455, 456; D18/12.2, 7, 52, 24, 25, D18/29, 1, 2  
CPC ..... G06F 1/16; G06F 1/1616; G06F 1/1626; G06F 1/1632; G06F 1/1613; G06F 1/1601; G06F 1/1618; G06F 1/162; G06F 3/0221; G06F 3/0216; H01R 35/02; H03M 11/00; G09B 13/04; H03K 17/94; G09G 5/00; F16M 11/10; H05K 5/00; H04M 1/0237;

(Continued)

(56) **References Cited**

**U.S. PATENT DOCUMENTS**

4,188,136 A \* 2/1980 Bedocs ..... B41J 5/22 200/5 B  
4,370,533 A \* 1/1983 Kamei ..... H01H 13/14 200/5 A

(Continued)

**FOREIGN PATENT DOCUMENTS**

TW D181277 2/2017

**OTHER PUBLICATIONS**

Office Action to the corresponding Taiwan Patent Application rendered on Sep. 23, 2019, 11 pages.

*Primary Examiner* — Keli L Hill

*Assistant Examiner* — Harold E Blackwell, II

(74) *Attorney, Agent, or Firm* — Skaar Ulbrich Macari, P.A.

(57) **CLAIM**

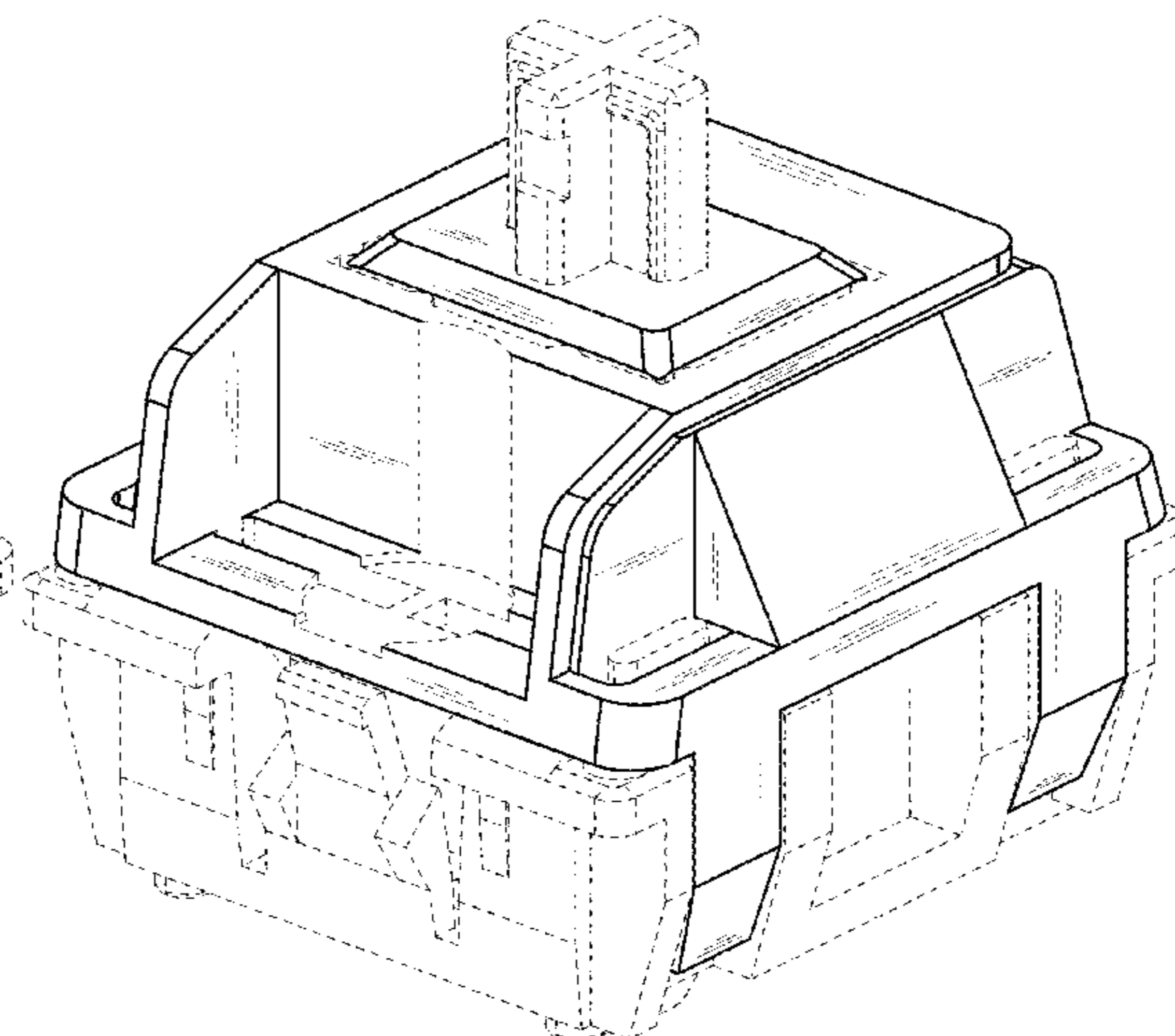
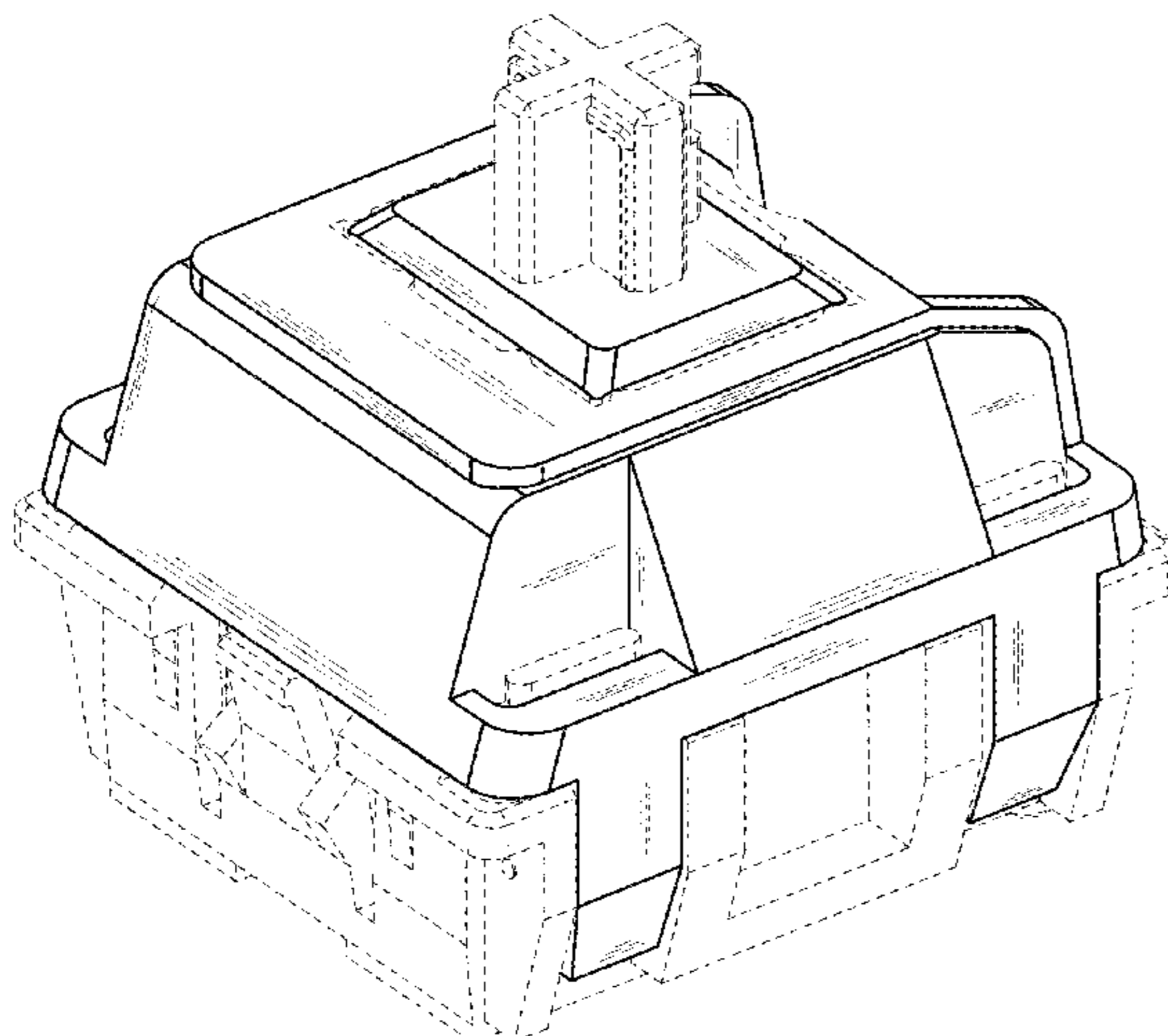
We claim an ornamental design for a keyboard switch, as shown and described.

**DESCRIPTION**

FIG. 1 is a first perspective view of a keyboard switch showing our new design;  
FIG. 2 is a second perspective view of the keyboard switch of FIG. 1;  
FIG. 3 is a third perspective view of the keyboard switch of FIG. 1;  
FIG. 4 is a front elevational view of the keyboard switch of FIG. 1;  
FIG. 5 is a rear elevational view of the keyboard switch of FIG. 1;  
FIG. 6 is a left side elevational view of the keyboard switch of FIG. 1;  
FIG. 7 is a right side elevational view of the keyboard switch of FIG. 1;  
FIG. 8 is a top plan view of the keyboard switch of FIG. 1; and,  
FIG. 9 is a bottom plan view of the keyboard switch of FIG. 1.

The broken lines in the figures depict portions of the keyboard switch which form no part of the claimed design.

**1 Claim, 9 Drawing Sheets**



(58) **Field of Classification Search**

CPC .. H01H 13/14; H01H 13/84; B41J 5/00; B41J  
5/12; B41J 5/10

See application file for complete search history.

(56) **References Cited**

U.S. PATENT DOCUMENTS

4,418,257 A \* 11/1983 Muller ..... H01H 13/14  
200/516  
4,939,327 A \* 7/1990 Wu ..... H01H 13/50  
200/341  
D311,727 S \* 10/1990 Brandt ..... D13/174  
5,209,588 A \* 5/1993 Chen ..... B41J 5/12  
400/472  
5,372,442 A \* 12/1994 Wang ..... B41J 5/16  
200/341  
9,646,786 B1 \* 5/2017 Feng ..... H01H 13/86  
10,211,010 B2 \* 2/2019 Wu ..... H01H 13/00  
10,325,734 B1 \* 6/2019 Iijima ..... H01H 13/14  
10,354,817 B2 \* 7/2019 Su ..... H01H 13/14  
2016/0055988 A1 \* 2/2016 Muller ..... H01H 13/023  
200/314

\* cited by examiner

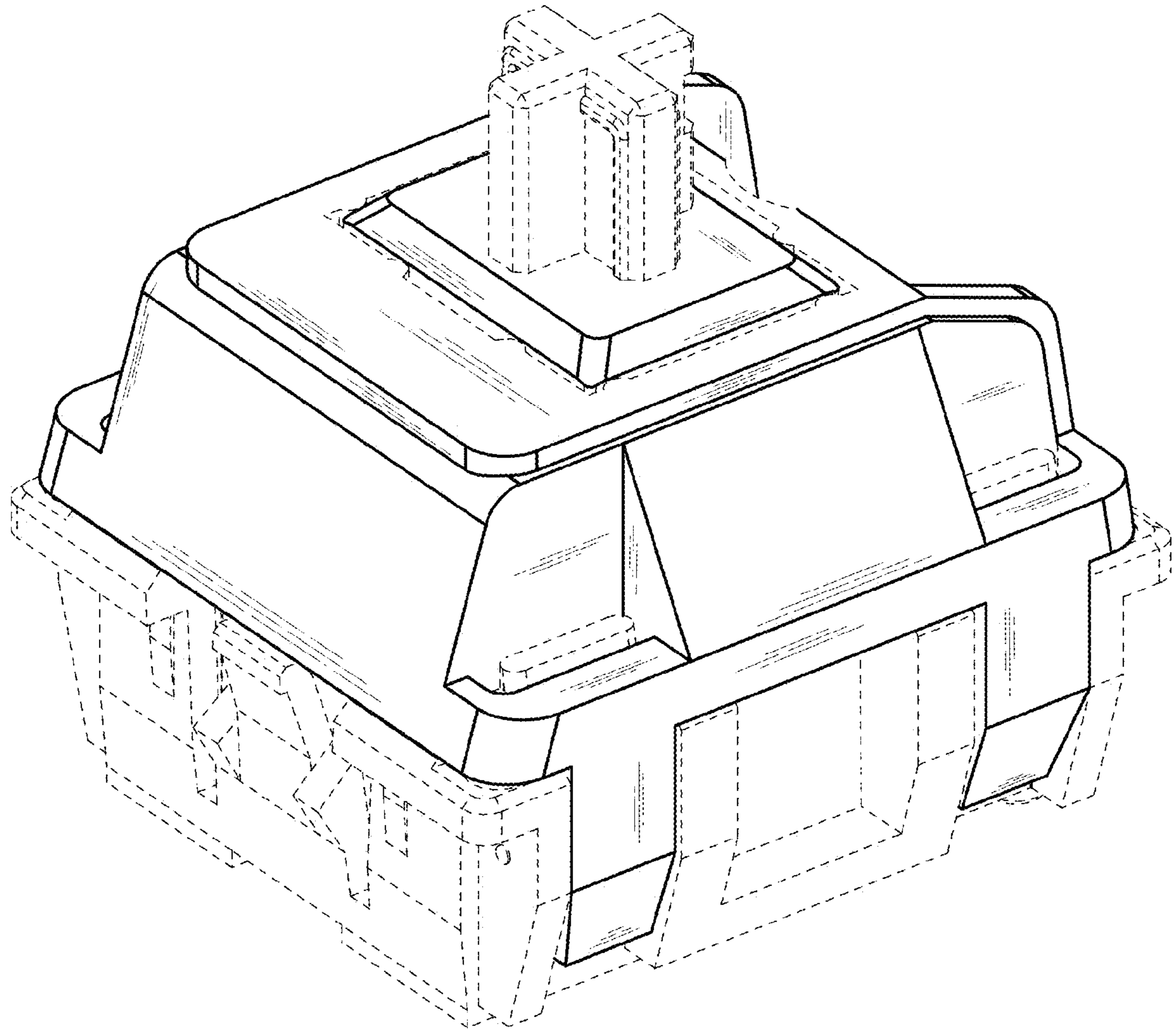


FIG. 1

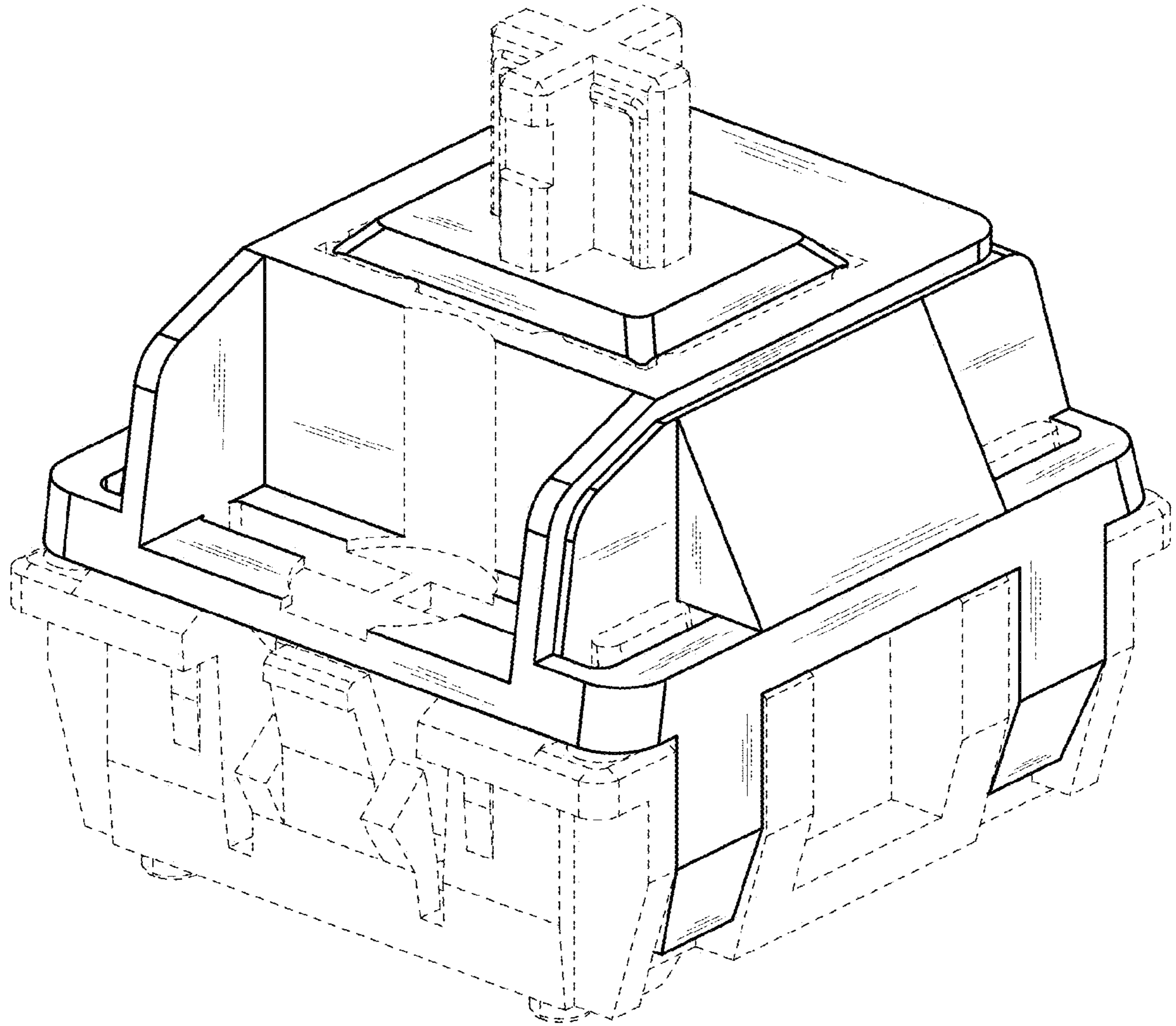


FIG. 2

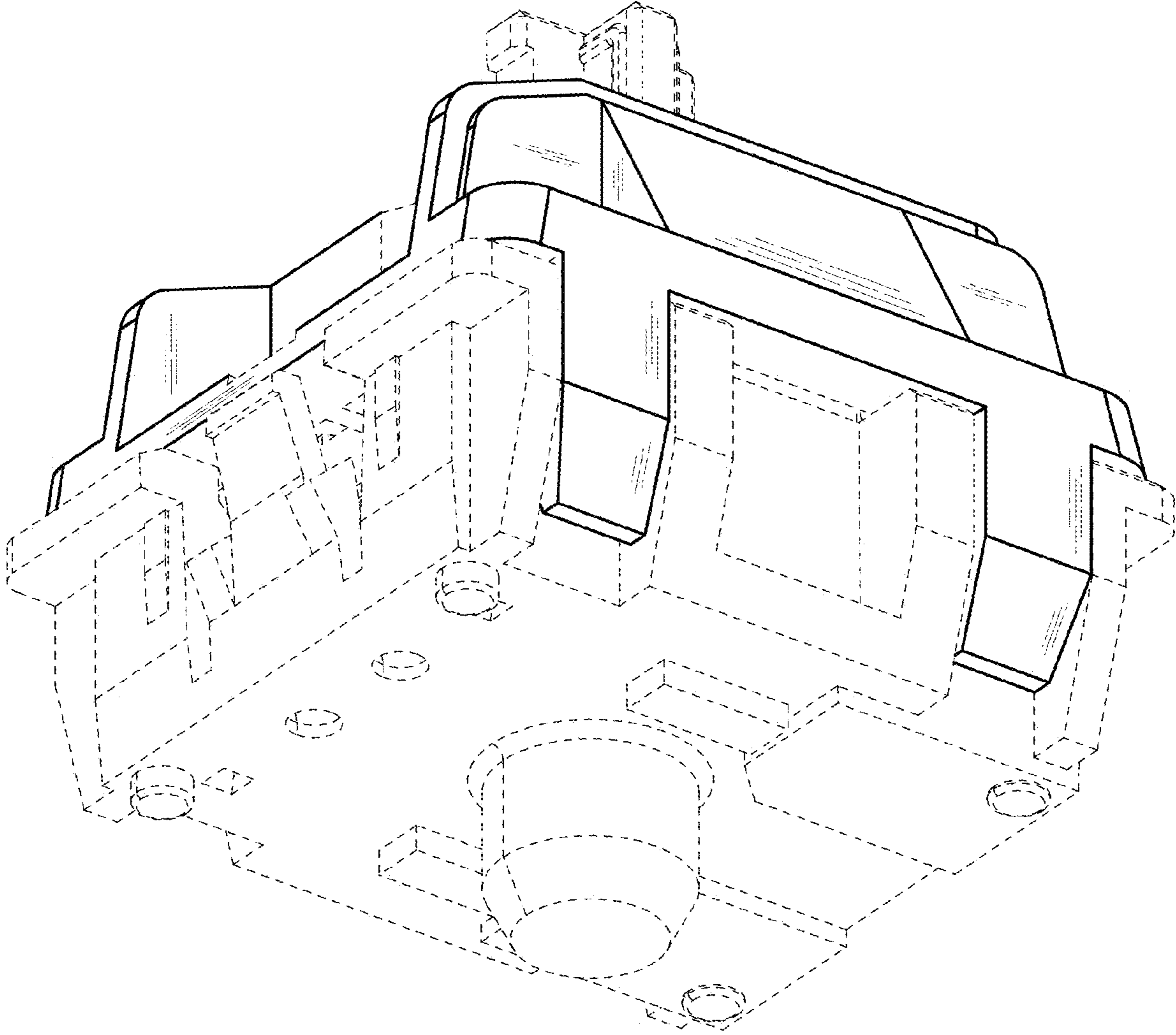


FIG. 3

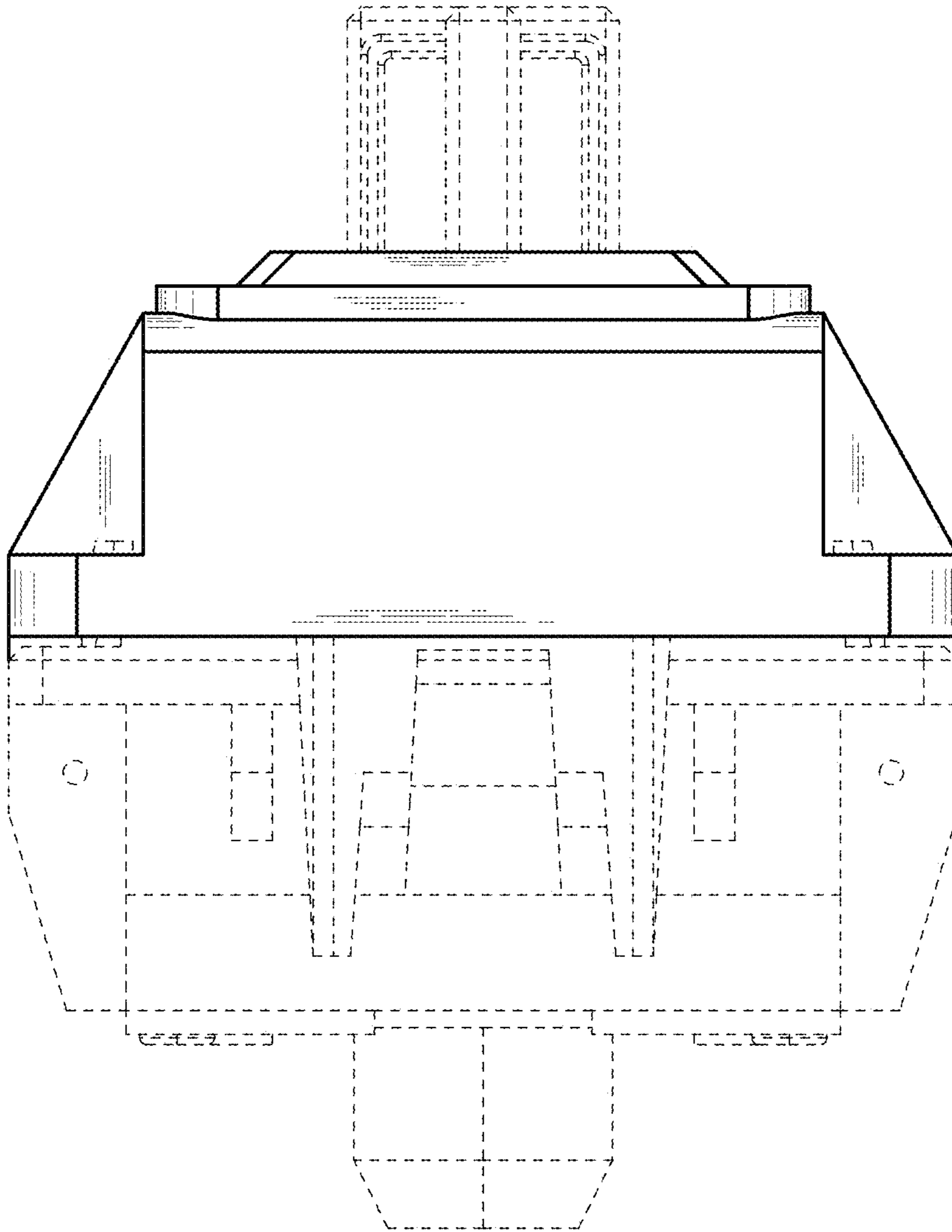


FIG. 4

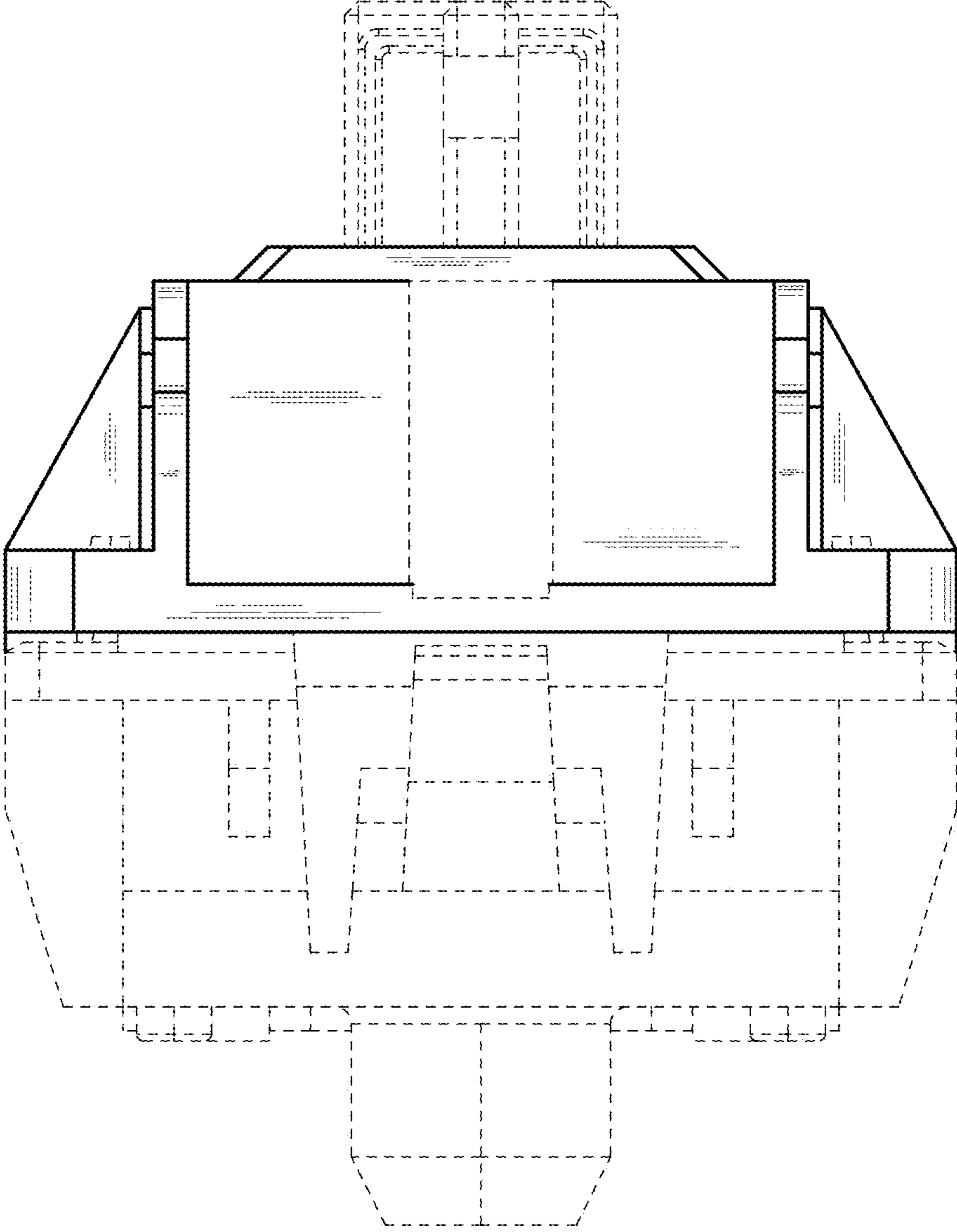


FIG. 5

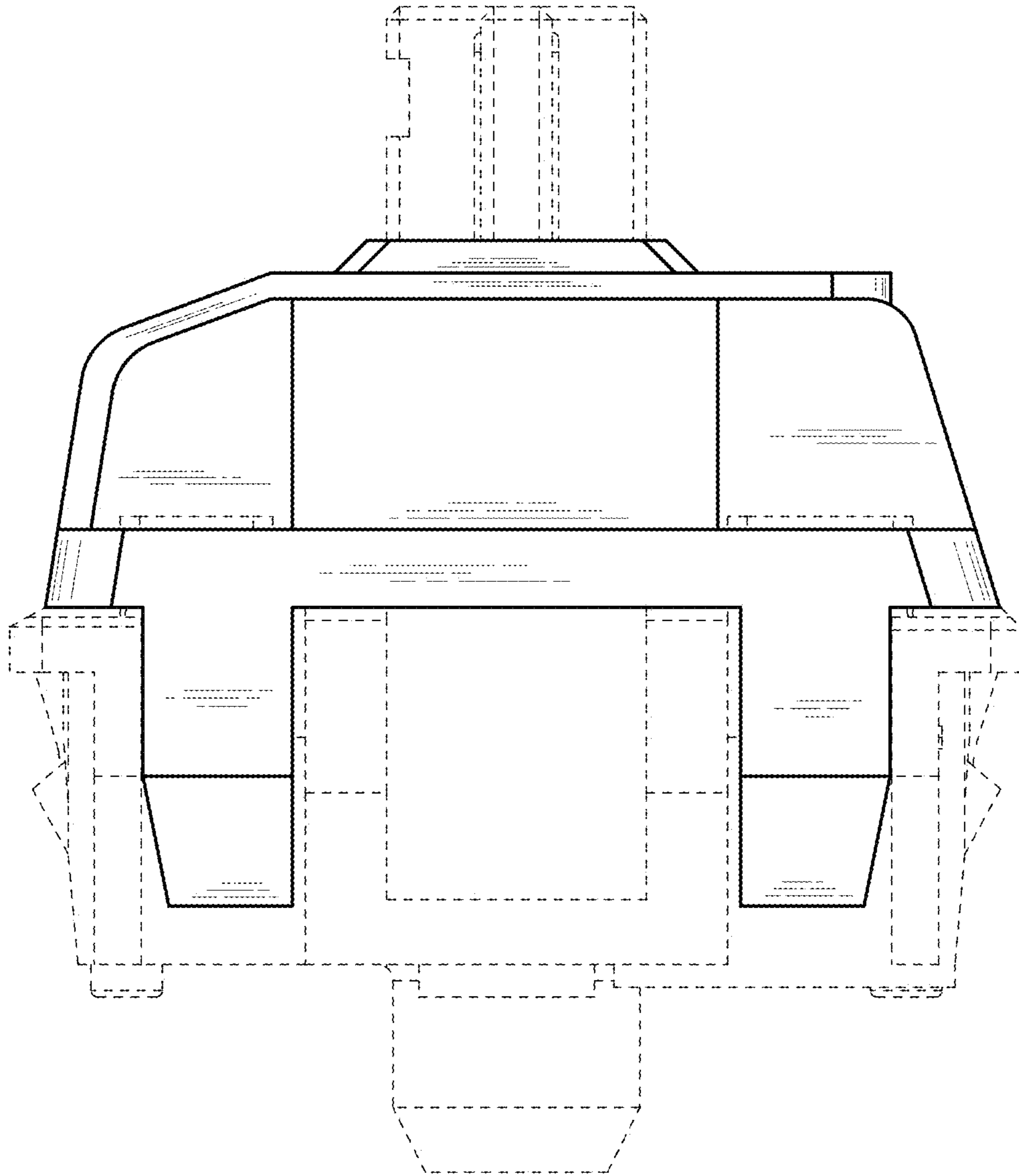


FIG. 6



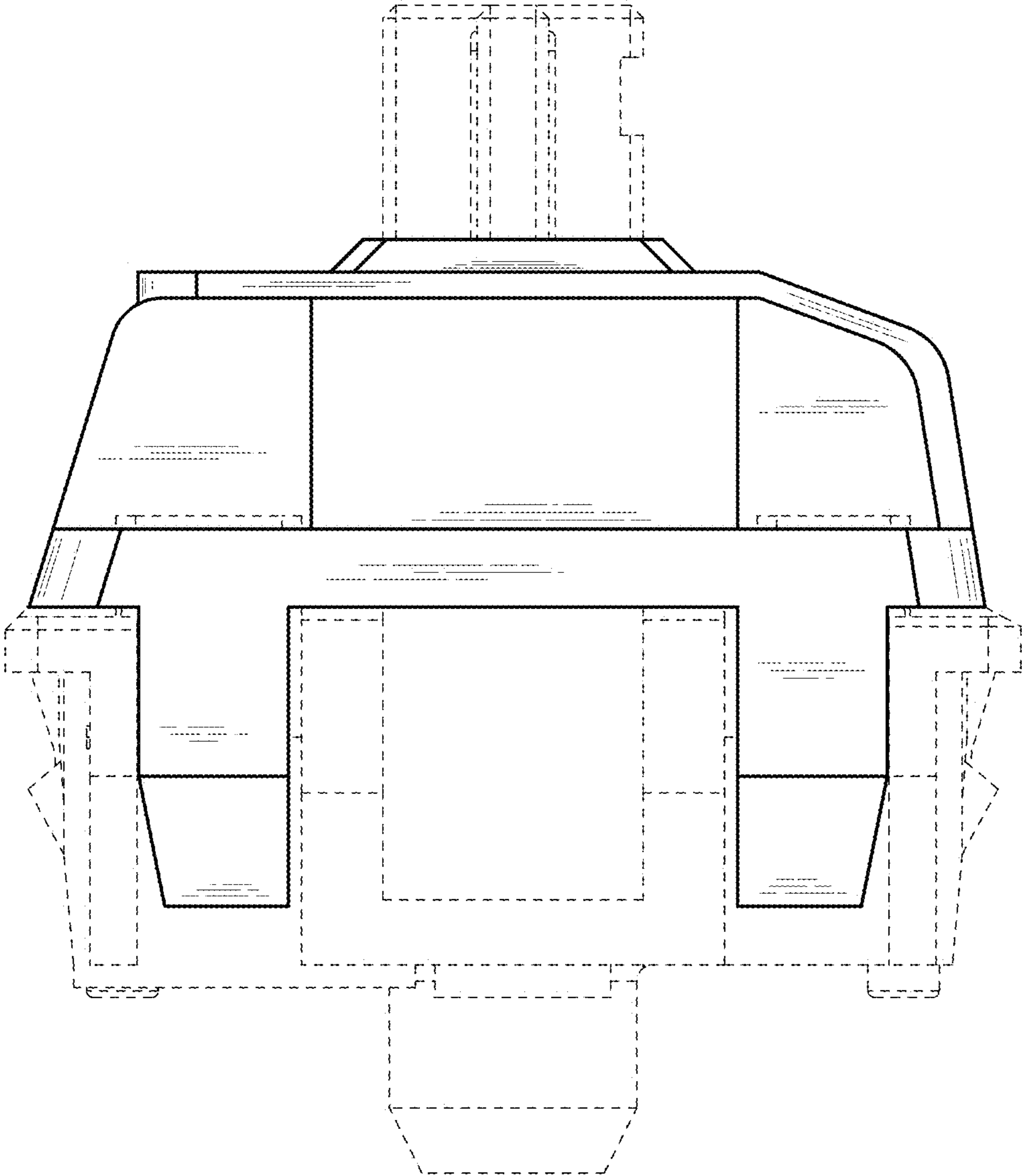


FIG. 7

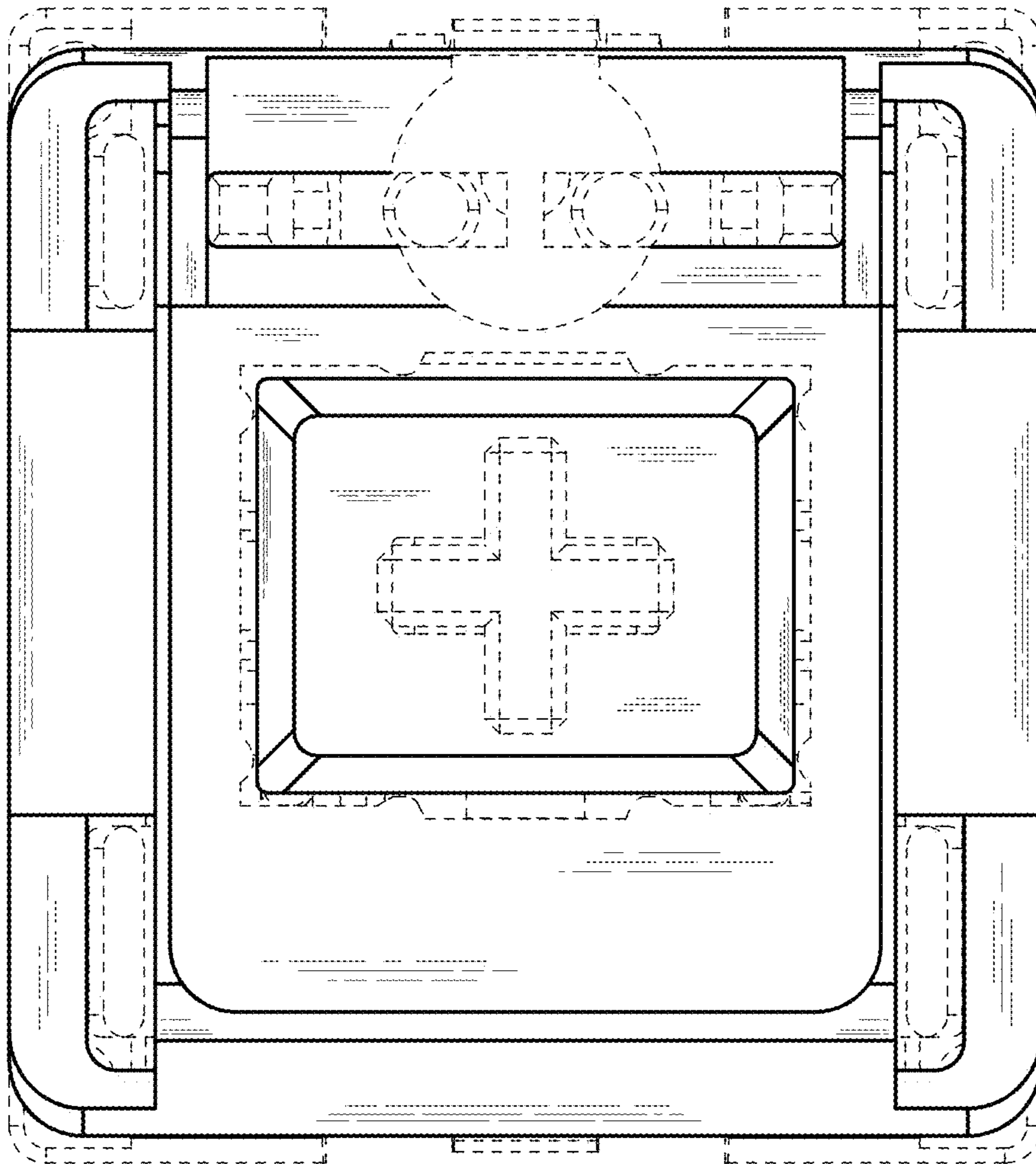


FIG. 8

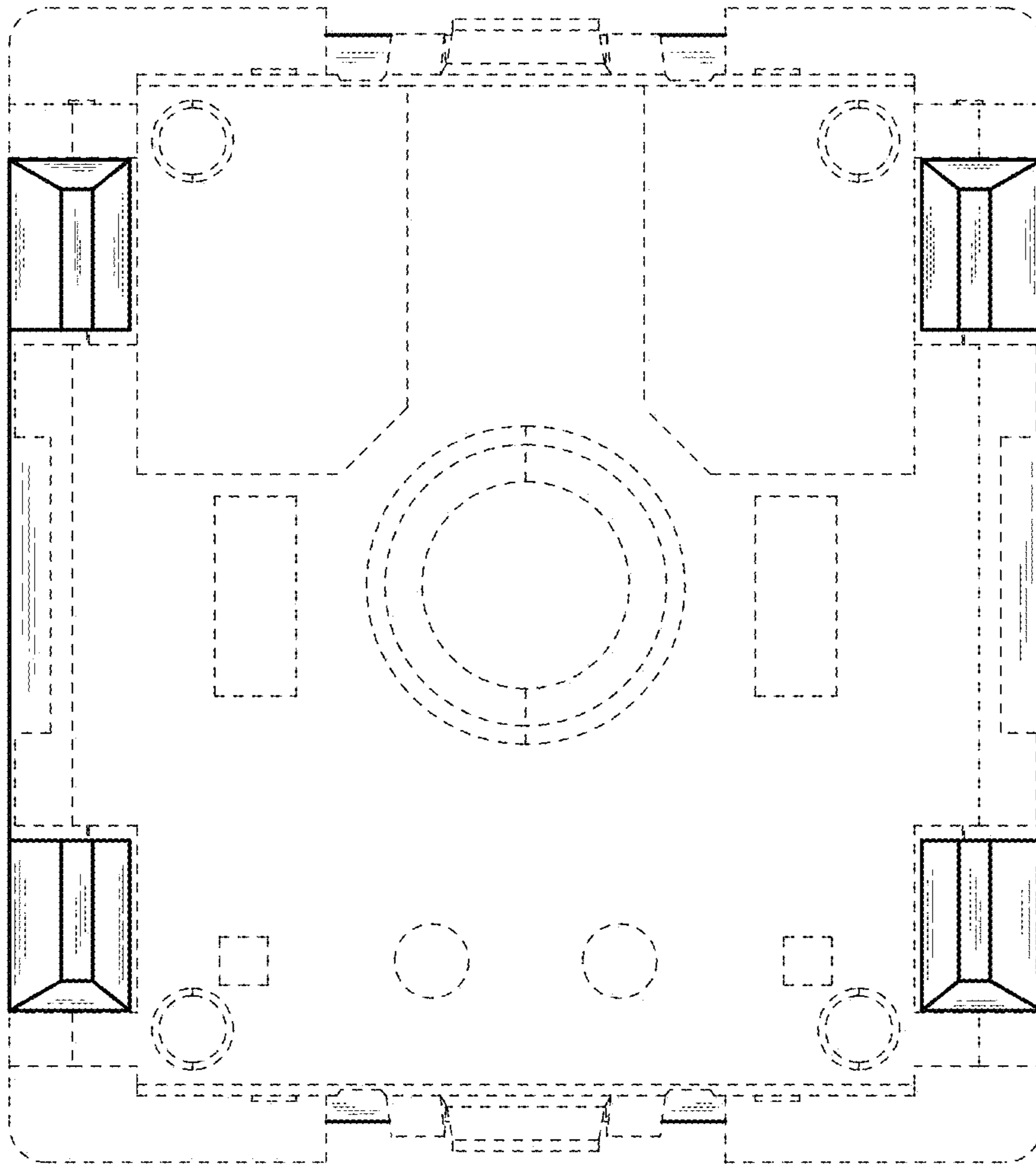


FIG. 9