



US00D875737S

(12) **United States Design Patent**
Escolin et al.

(10) **Patent No.:** **US D875,737 S**

(45) **Date of Patent:** **** Feb. 18, 2020**

(54) **HINGE FOR A COMPUTING DEVICE**

(71) Applicant: **Microsoft Corporation**, Redmond, WA (US)

(72) Inventors: **Timothy Escolin**, Seattle, WA (US); **Jan Raken**, Seattle, WA (US); **James David Wahl**, Woodinville, WA (US); **Angela Chen Krauskopf**, Sammamish, WA (US); **Anthony Hewett**, Duvall, WA (US); **Spencer B. Eggert**, Redmond, WA (US)

(73) Assignee: **Microsoft Corporation**, Redmond, WA (US)

(**) Term: **15 Years**

(21) Appl. No.: **29/622,392**

(22) Filed: **Oct. 17, 2017**

Related U.S. Application Data

(62) Division of application No. 29/573,573, filed on Aug. 8, 2016, now Pat. No. Des. 803,827.

(51) **LOC (12) Cl.** **14-02**

(52) **U.S. Cl.**
USPC **D14/451**

(58) **Field of Classification Search**

USPC D14/249-251; D6/306, 308; D8/349, D8/354, 363, 373, 376, 380
CPC G06F 1/1601; G06F 1/162; G06F 1/1613; F16M 11/08; F16M 11/10; F16M 11/16; F16M 11/22; F16M 11/046

See application file for complete search history.

(56) **References Cited**

U.S. PATENT DOCUMENTS

3,695,210 A * 10/1972 Stein B63B 35/817
441/69

D319,435 S 8/1991 Brown

D339,796 S * 9/1993 Goodner D14/375
6,665,175 B1 * 12/2003 deBoer G06F 1/162
248/920
7,143,478 B2 * 12/2006 Quijano F16M 11/10
16/445
D558,201 S * 12/2007 Park D14/375
D558,562 S * 1/2008 Ciungan D14/452
D559,662 S * 1/2008 Sculler D8/380
D589,964 S * 4/2009 Heggland D14/434
D591,303 S * 4/2009 Heggland D14/434

(Continued)

OTHER PUBLICATIONS

Surface Studios Zero Gravity Hinge | posted at mspoweruser.com Oct. 26, 2016 [online]. © 2019 MSPoweruser [retrieved Sep. 21, 2019] from Internet: <<https://mspoweruser.com/video-closer-look-surface-studios-zero-gravity-hinge/>> (Year: 2016).*

Primary Examiner — Sandra S Snapp

Assistant Examiner — Katherine Glennon

(74) *Attorney, Agent, or Firm* — Banner & Witcoff, Ltd.

(57) **CLAIM**

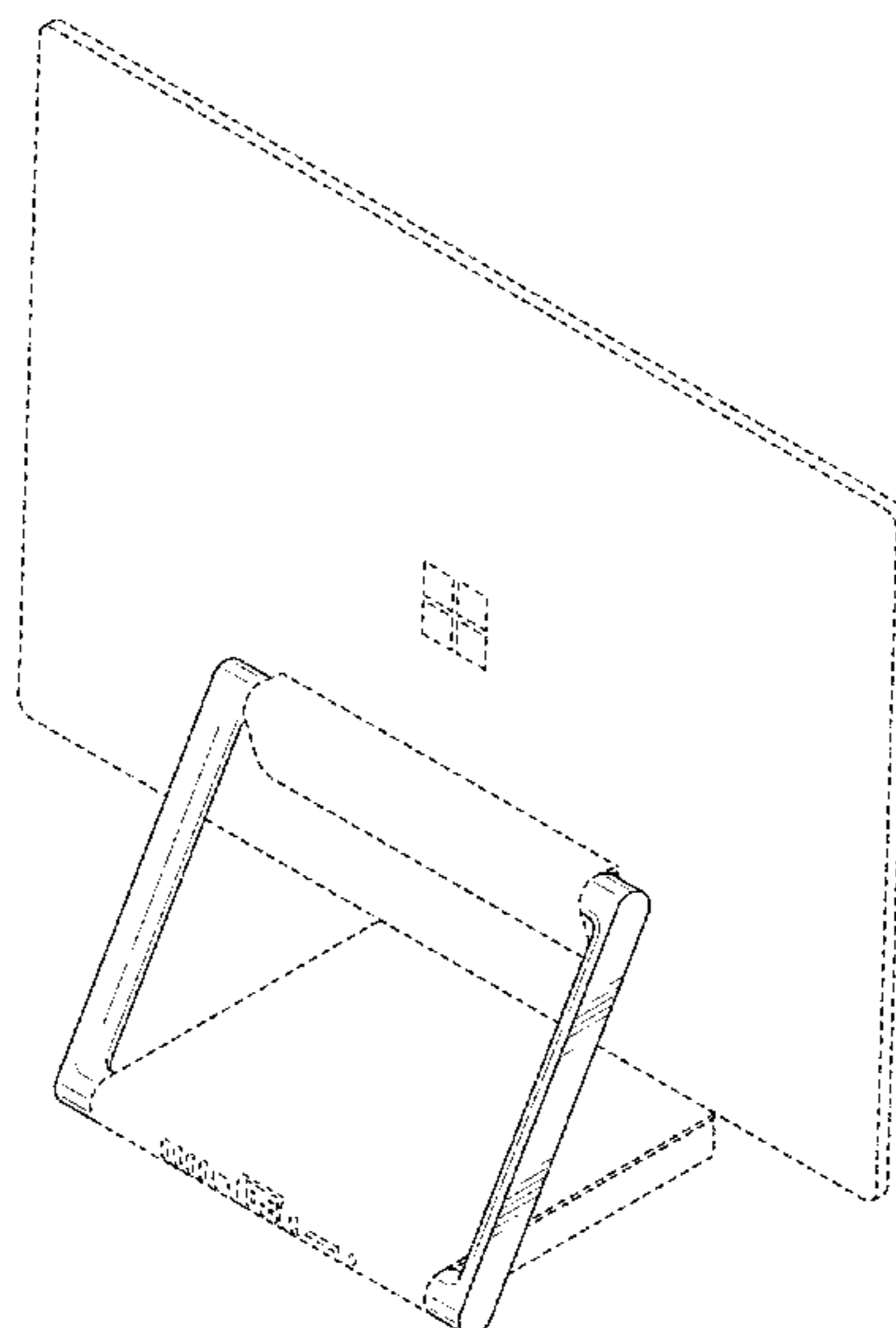
The ornamental design for a hinge for a computing device, as shown and described.

DESCRIPTION

FIG. 1 is a front perspective view of a hinge for a computing device showing our new design; FIG. 2 is a rear perspective view thereof; FIG. 3 is a front view thereof; FIG. 4 is a rear view thereof; FIG. 5 is a right side view thereof; FIG. 6 is a left side view thereof; FIG. 7 is a top view thereof; and, FIG. 8 is a bottom view thereof.

The broken line showing of the various elements in the figures is for environmental purposes only and forms no part of the claimed design.

1 Claim, 7 Drawing Sheets



(56)

References Cited

U.S. PATENT DOCUMENTS

7,570,482 B2 *	8/2009	Chan	G06F 1/162 248/917	9,936,593 B2 *	4/2018	Deily	F16M 11/10
D619,133 S	7/2010	Bucsa			10,159,158 B2 *	12/2018	Park	F16M 11/10
D620,012 S *	7/2010	Chen	D14/451	10,172,248 B1 *	1/2019	Park	F16M 11/10
7,766,288 B2 *	8/2010	Kim	F16M 11/105 248/176.1	10,324,497 B1 *	6/2019	Perelli	G06F 1/1637
8,011,623 B2 *	9/2011	Hwang	F16M 11/105 248/166	10,345,851 B2 *	7/2019	Park	G06F 1/1681
D666,622 S *	9/2012	Harper	D14/452	2006/0256512 A1	11/2006	Kang		
8,310,468 B2 *	11/2012	Martin	F16M 11/10 248/274.1	2007/0058329 A1 *	3/2007	Ledbetter	F16M 11/10 361/679.06
D672,356 S *	12/2012	Quijano	G06F 1/1681	2007/0194183 A1 *	8/2007	Kim	F16M 11/105 248/125.9
D678,272 S	3/2013	Groene et al.			2008/0266768 A1 *	10/2008	Drew	F16M 11/105 361/679.06
D678,877 S	3/2013	Groene et al.			2012/0248048 A1 *	10/2012	Wu	F16M 11/10 211/26
D696,254 S	12/2013	Groene et al.			2013/0112818 A1 *	5/2013	Hsu	F16M 11/10 248/121
D700,178 S	2/2014	Ma			2013/0144446 A1 *	6/2013	Rihn	G06F 1/16 700/279
8,769,772 B2 *	7/2014	Griffin	H04M 1/0216 16/354	2014/0353453 A1 *	12/2014	Quijano	F16M 11/18 248/419
8,944,396 B2 *	2/2015	Mau	E05D 3/12 248/274.1	2015/0362962 A1 *	12/2015	Lee	G06F 1/1601 361/679.21
D729,815 S *	5/2015	Anderson	G06F 1/1601	2017/0300082 A1 *	10/2017	Park	E05D 3/12 248/274.1
9,035,742 B2 *	5/2015	Rihn	G06F 1/1616 340/4.3	2017/0300083 A1 *	10/2017	Park	F16M 11/18 248/419
D731,499 S *	6/2015	Tseng	F16M 11/10	2017/0357293 A1 *	12/2017	Hewett	H05K 5/0226
9,155,235 B2 *	10/2015	Lindblad	F16F 3/04	2017/0362858 A1 *	12/2017	Callan	G06F 1/16 700/279
9,291,299 B2 *	3/2016	Richard	F16M 11/10	2018/0003245 A1 *	1/2018	Castillo	G06F 1/1601
D754,655 S	4/2016	Groene et al.			2018/0042129 A1 *	2/2018	Park	E05D 3/12
D803,827 S *	11/2017	Escolin	H04M 1/0216 16/354					

* cited by examiner

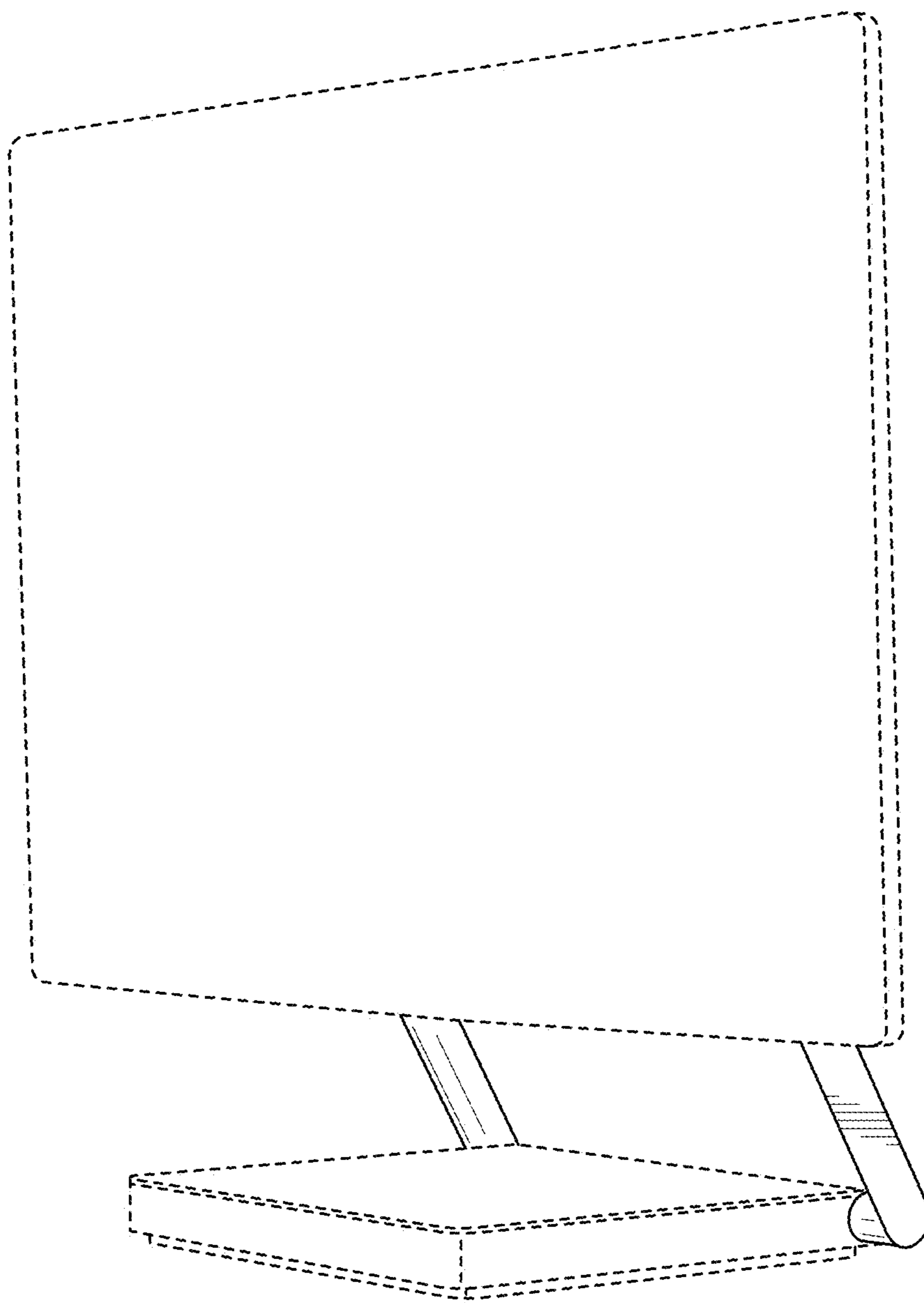


FIG. 1

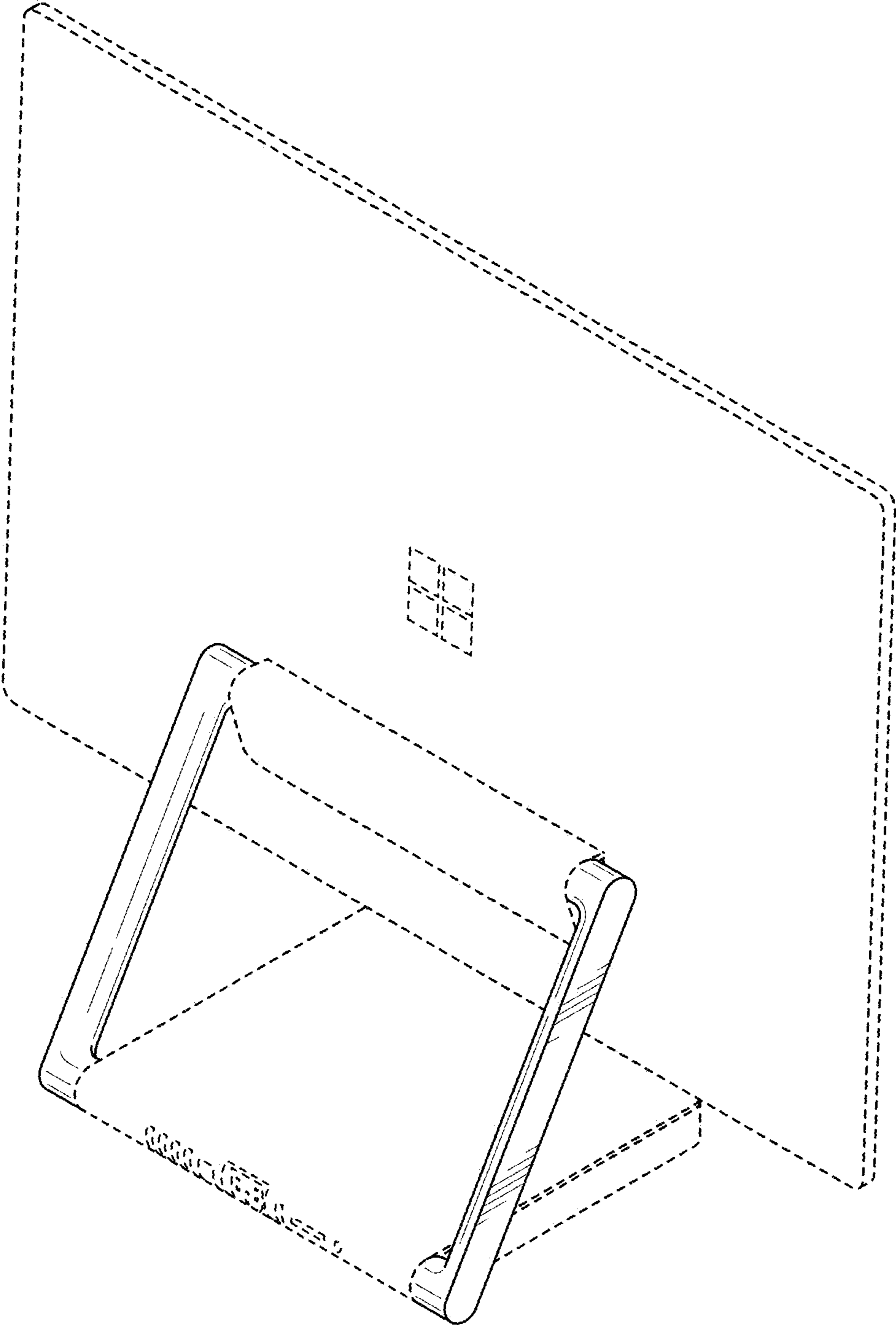


FIG. 2

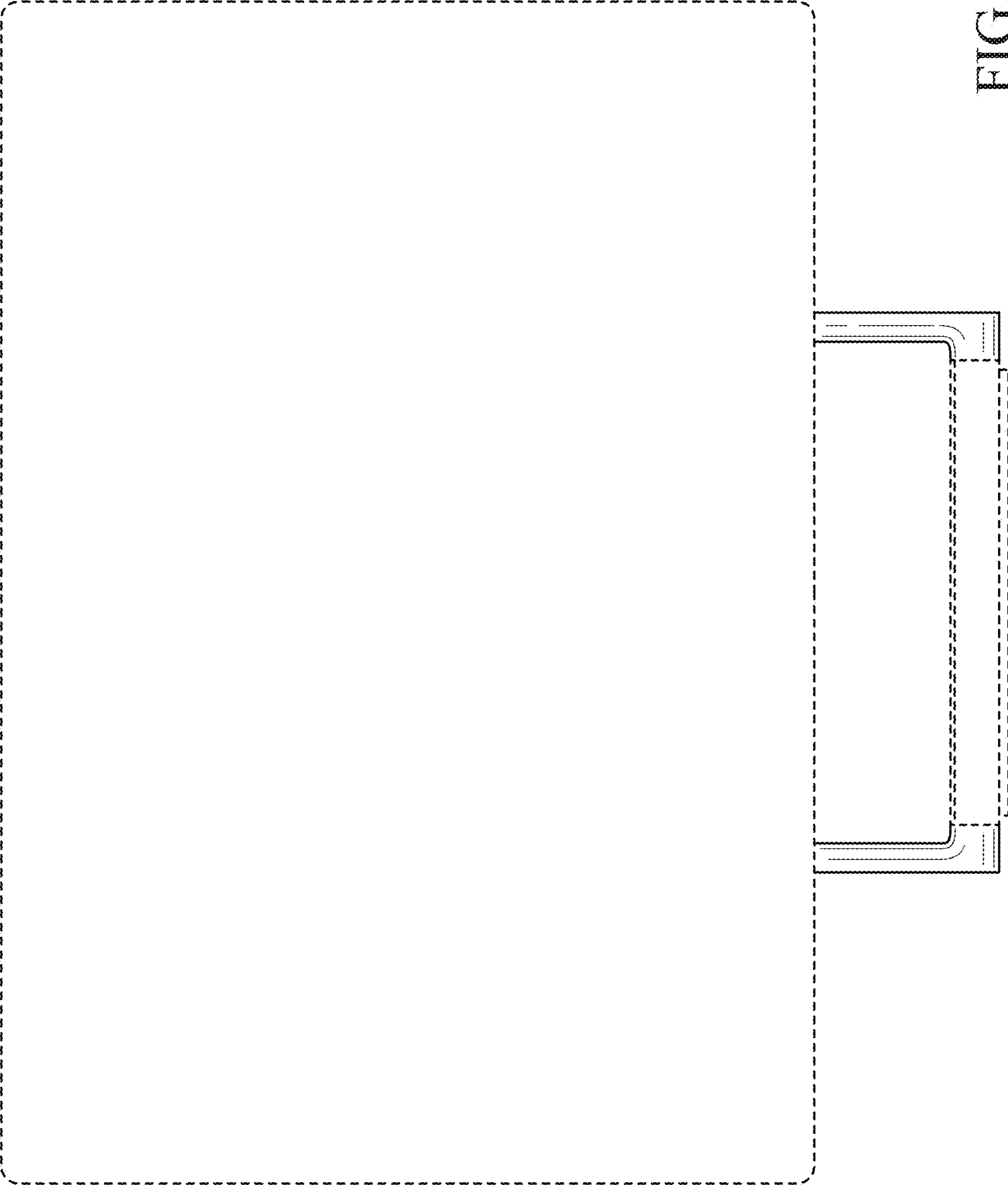


FIG. 3

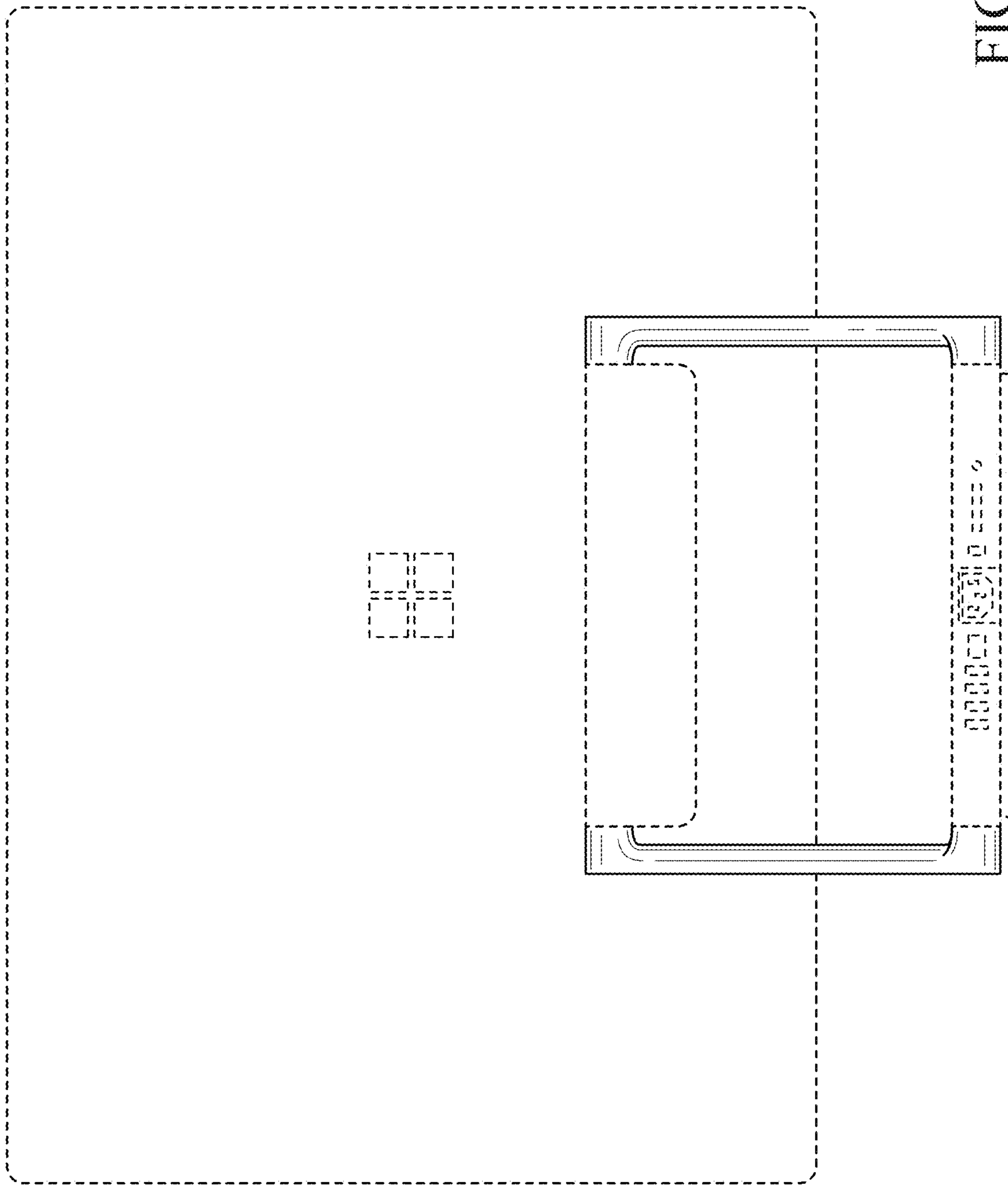


FIG. 4

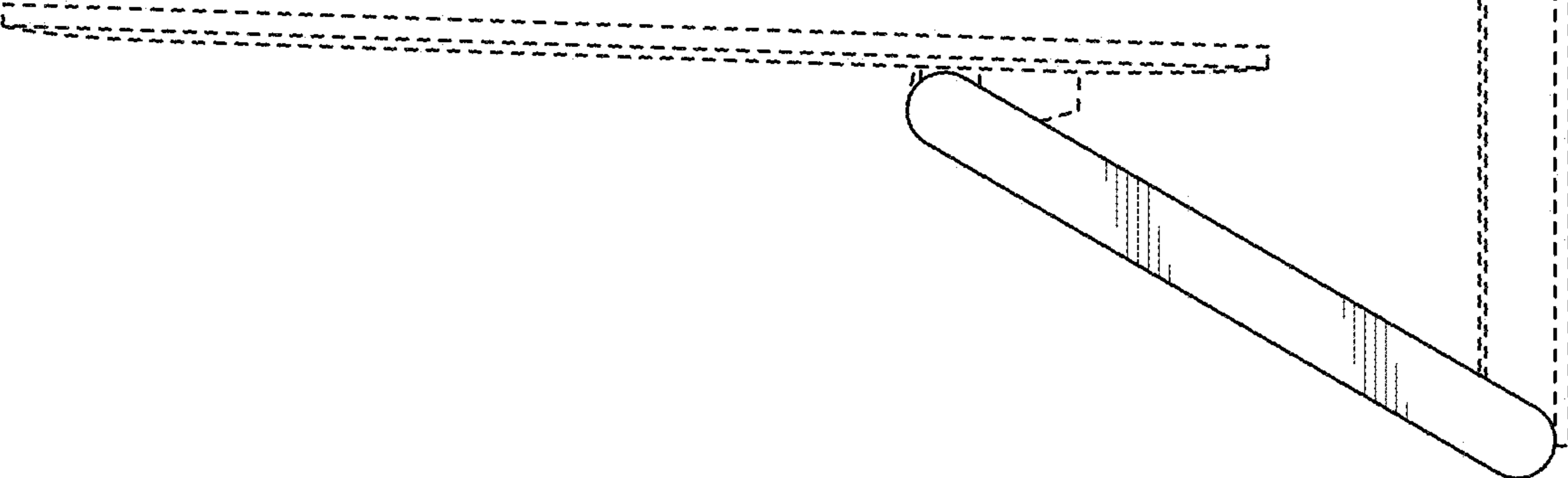


FIG. 6

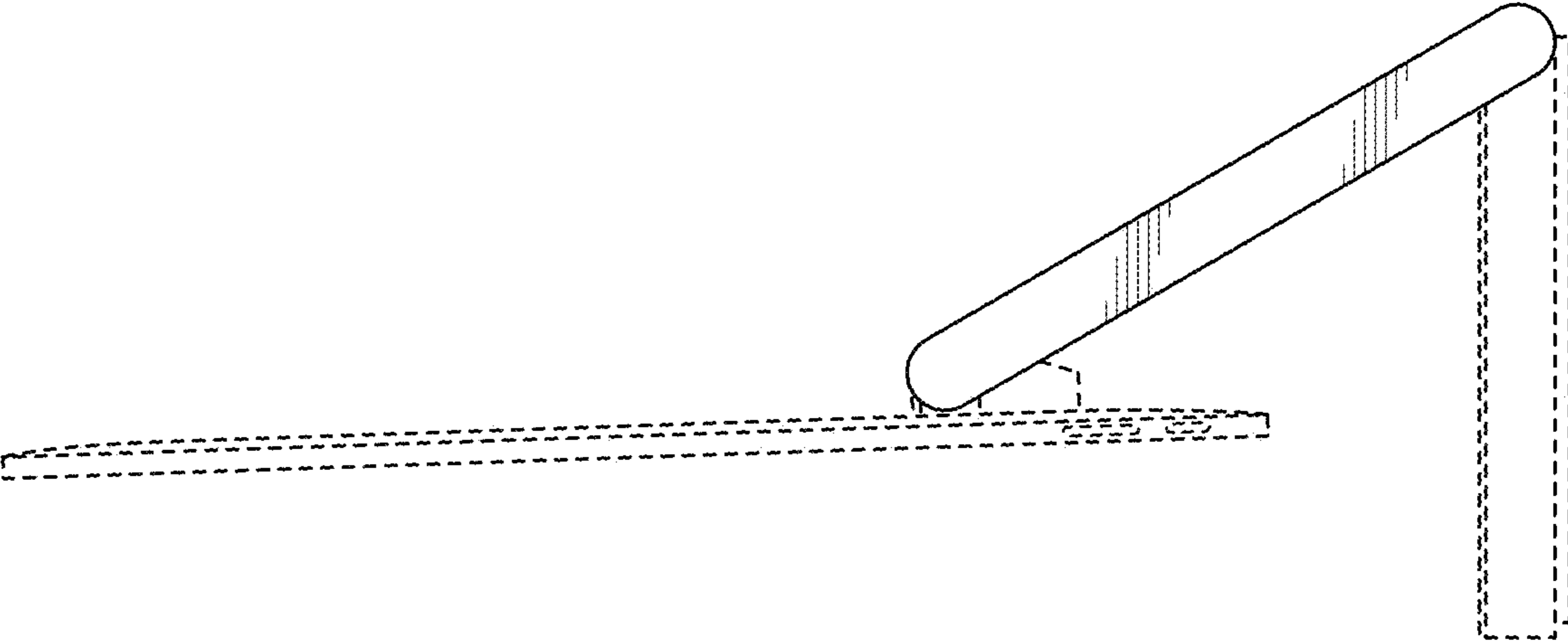


FIG. 5

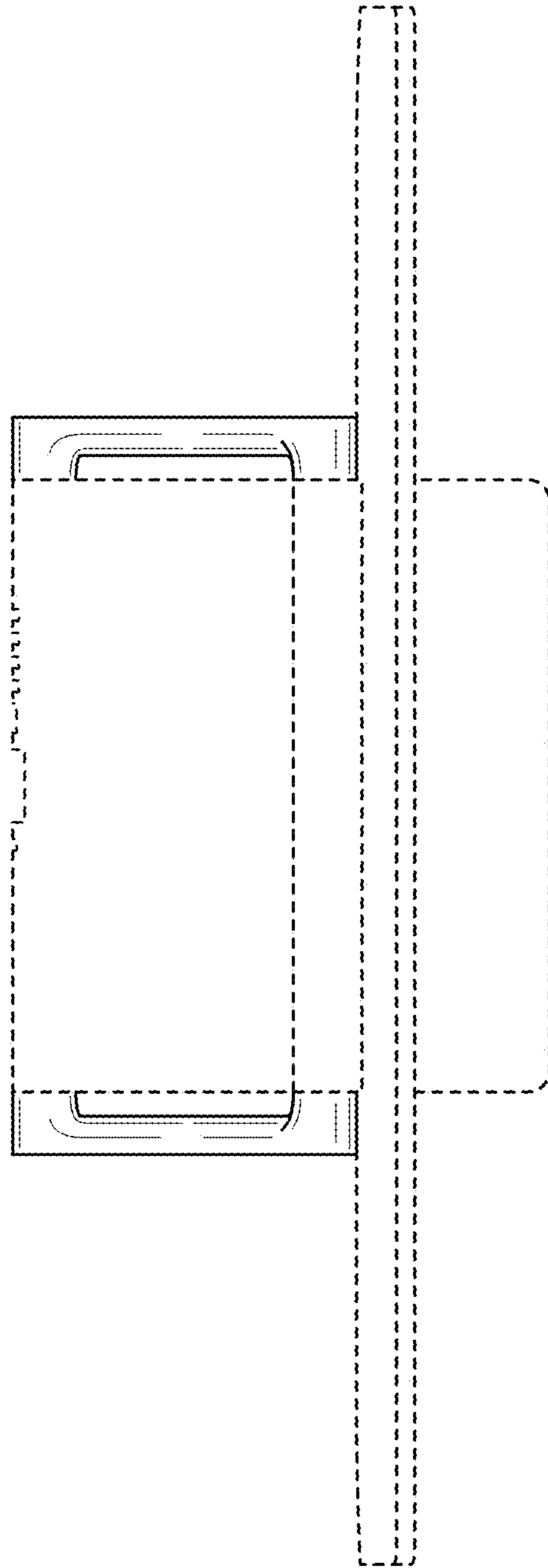


FIG. 7

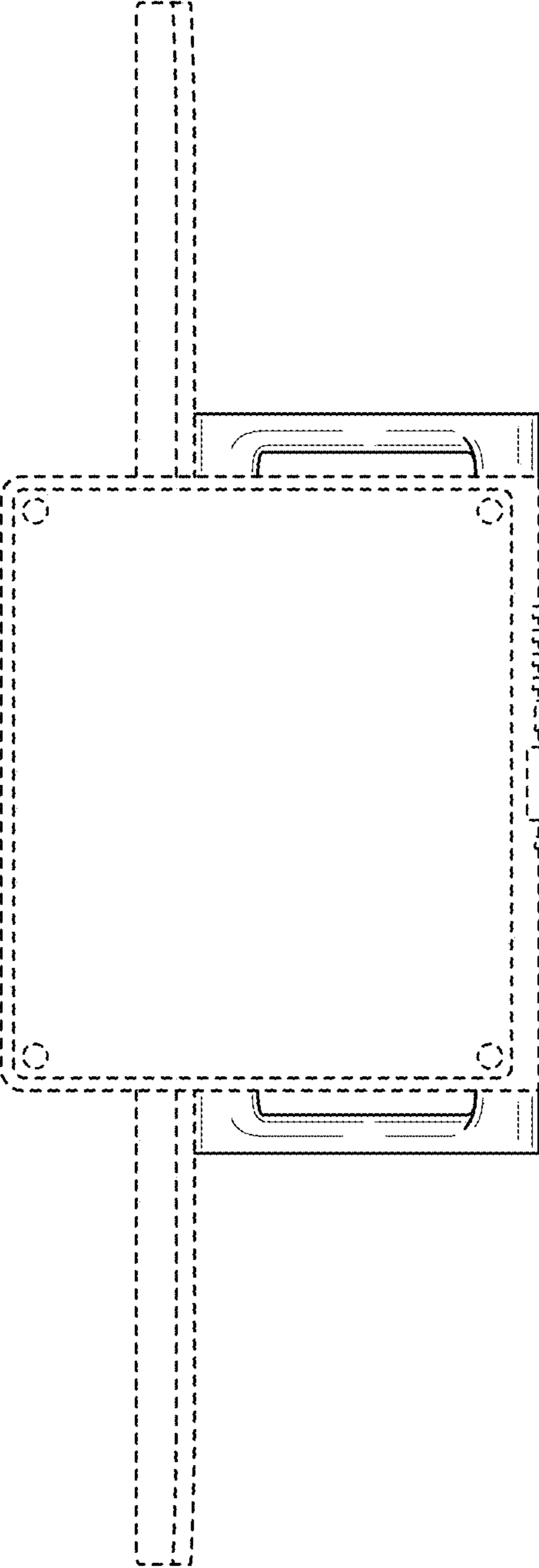


FIG. 8