



US00D875735S

(12) **United States Design Patent** (10) **Patent No.:** **US D875,735 S**  
**Buechin et al.** (45) **Date of Patent:** **\*\* Feb. 18, 2020**

(54) **CASE FOR ELECTRONIC DEVICE**

- (71) Applicant: **Rakuten Kobo Inc.**, Toronto, Ontario (CA)
- (72) Inventors: **Anna Buechin**, Toronto (CA); **Archer Wun**, Maple (CA); **Kuan-Chang Lin**, New Taipei (TW)
- (73) Assignee: **RAKUTEN KOBO INC.**, Toronto (CA)
- (\*\*) Term: **15 Years**
- (21) Appl. No.: **29/683,130**
- (22) Filed: **Mar. 11, 2019**

**Related U.S. Application Data**

- (62) Division of application No. 16/165,656, filed on Oct. 19, 2018, and a division of application No. 16/165,637, filed on Oct. 19, 2018.
- (51) **LOC (12) Cl.** ..... **14-02**
- (52) **U.S. Cl.**  
USPC ..... **D14/440**
- (58) **Field of Classification Search**  
USPC ..... 206/320; D14/440, 447, 250;  
361/679.55; 294/25; 224/218  
See application file for complete search history.

(56) **References Cited**

**U.S. PATENT DOCUMENTS**

- 3,195,850 A \* 7/1965 Steiner ..... A47B 23/043  
206/45.2
- D667,394 S 9/2012 Bau  
(Continued)

**FOREIGN PATENT DOCUMENTS**

- CN 303025618 12/2014
- CN 303037763 12/2014  
(Continued)

**OTHER PUBLICATIONS**

Amazon.com “Pipetto iPad Pro 12.9 Case—Origami Smart Cover”,  
<https://www.amazon.com/Pipetto-iPad-Pro-12-9-Case/dp/B01FFSMUUO>, Apr. 19, 2016, 7 pages.  
 (Continued)

*Primary Examiner* — Cynthia R Underwood  
 (74) *Attorney, Agent, or Firm* — Xsensus LLP

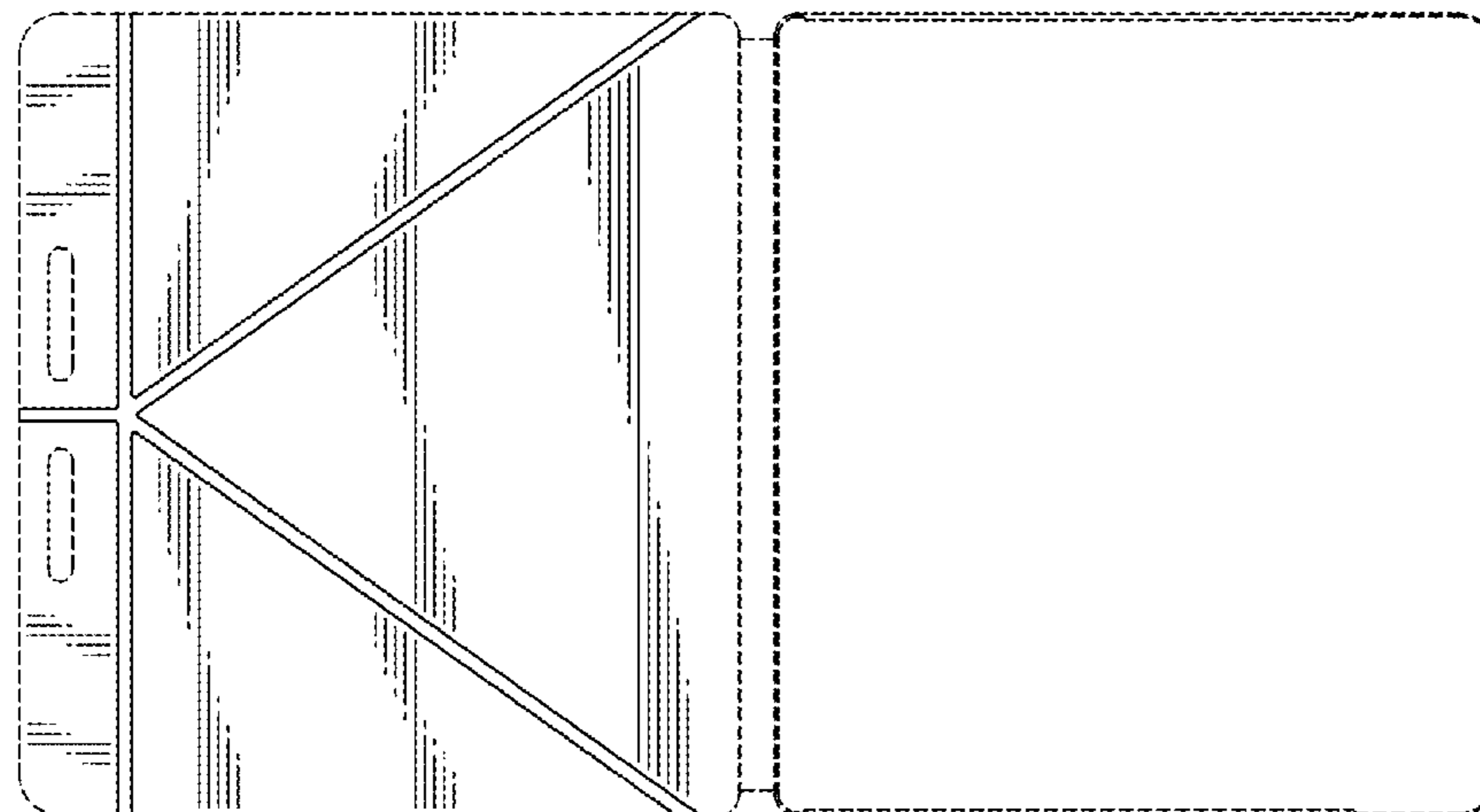
(57) **CLAIM**

The ornamental design for a case for electronic device, as shown and described.

**DESCRIPTION**

FIG. 1 is a front view of a case for electronic device showing our new design;  
 FIG. 2 is a rear view thereof;  
 FIG. 3 is a top view thereof;  
 FIG. 4 is a bottom view thereof;  
 FIG. 5 is a left side view thereof;  
 FIG. 6 is a right side view thereof;  
 FIG. 7 is a first perspective view showing the case in an environment in which it may be used;  
 FIG. 8 is a second perspective view showing the case in an environment in which it may be used;  
 FIG. 9 is a third perspective view showing the case in an environment in which it may be used;  
 FIG. 10 is a fourth perspective view showing the case in an environment in which it may be used;  
 FIG. 11 is a fifth perspective view showing the case in an environment in which it may be used;  
 FIG. 12 is a sixth perspective view showing the case in an environment in which it may be used; and,  
 FIG. 13 is a seventh perspective view showing the case in an environment in which it may be used.  
 The broken lines in the figures show portions of the case or environment that form no part of the claimed design.

**1 Claim, 6 Drawing Sheets**



(56)

References Cited

U.S. PATENT DOCUMENTS

D672,781 S 12/2012 Lu  
 D687,438 S 8/2013 Lu  
 D688,250 S 8/2013 Phillips et al.  
 D690,702 S 10/2013 Chung  
 D691,145 S 10/2013 Nam-Su  
 D692,434 S 10/2013 Kim  
 D693,823 S 11/2013 Chen et al.  
 8,640,864 B2\* 2/2014 Chen ..... G06F 1/1626  
 206/45.2  
 8,757,375 B2\* 6/2014 Huang ..... A47B 23/043  
 206/320  
 D710,859 S 8/2014 Mecchella et al.  
 D713,847 S 9/2014 Su  
 8,820,695 B2 9/2014 Nakada et al.  
 D718,771 S 12/2014 Huang  
 8,915,357 B2\* 12/2014 Mecchella ..... A45C 11/00  
 206/320  
 D721,080 S 1/2015 Mecchella et al.  
 D723,037 S 2/2015 Huang  
 D723,040 S 2/2015 Kang et al.  
 D726,191 S \* 4/2015 Tseng ..... D14/440  
 D726,192 S 4/2015 Massucco et al.  
 D727,915 S 4/2015 Mecchella et al.  
 D728,579 S 5/2015 Mecchella et al.  
 D730,913 S 6/2015 Shao  
 9,049,911 B1\* 6/2015 Wood ..... A45C 11/00  
 9,095,061 B2\* 7/2015 Coberly ..... F16M 11/10  
 D743,406 S 11/2015 Mecchella et al.  
 D743,967 S 11/2015 Huang  
 9,195,268 B2\* 11/2015 Chen ..... G06F 1/1632  
 9,226,559 B1\* 1/2016 Diebel ..... A45C 11/00  
 D749,078 S 2/2016 Bertrand et al.  
 9,268,365 B2\* 2/2016 Chang ..... G06F 1/1633  
 D750,632 S \* 3/2016 Diebel ..... D14/440  
 D752,593 S \* 3/2016 Diebel ..... G06F 1/1679  
 D14/440  
 9,298,216 B1\* 3/2016 Wood ..... G06F 1/1628  
 9,326,404 B1\* 4/2016 Wood ..... G09G 5/003  
 9,332,813 B2\* 5/2016 Jiang ..... A45C 11/00  
 9,419,669 B2\* 8/2016 Smith ..... A45C 5/02  
 9,451,818 B2\* 9/2016 Buechin ..... A45C 11/00  
 D772,234 S \* 11/2016 Massucco ..... D14/440  
 9,485,338 B2\* 11/2016 Balaji ..... H04M 1/04  
 D805,519 S 12/2017 Diebel et al.  
 D823,854 S \* 7/2018 Enqvist ..... D14/345  
 10,095,320 B2\* 10/2018 Harms ..... G06F 3/023  
 10,159,319 B2\* 12/2018 Sirichai ..... A45C 11/00

10,183,628 B2\* 1/2019 Mea ..... A45C 11/00  
 10,200,783 B2\* 2/2019 Englert ..... G06F 1/1605  
 2012/0181195 A1\* 7/2012 Lu ..... A45C 11/00  
 206/320  
 2012/0305413 A1 12/2012 Chung  
 2013/0043148 A1\* 2/2013 Chen ..... G06F 1/1626  
 206/45.23  
 2013/0258586 A1\* 10/2013 Shao ..... A45C 11/00  
 361/679.55  
 2014/0284228 A1 9/2014 Chiou  
 2015/0151871 A1\* 6/2015 Huang ..... H05K 5/0086  
 206/45.23  
 2015/0296643 A1 10/2015 Lee et al.

FOREIGN PATENT DOCUMENTS

CN 303695536 6/2016  
 CN 303650990 4/2017  
 EM 001992033 4/2012  
 EM 002049551 6/2012  
 FR 2985160 B3 1/2012  
 FR 20132487-001 8/2013  
 GB 2494685 A 3/2013  
 JP D1452090 10/2012  
 JP D1536961 11/2015  
 KR 300659370 9/2012  
 KR 300673432 12/2012  
 KR 300771541 11/2014  
 KR 300803442 6/2015  
 KR 300763770 9/2019

OTHER PUBLICATIONS

Trustedreviews.com “Pong iPad mini Case Review”, <https://www.trustedreviews.com/reviews/pong-ipad-mini-case>, Mar. 19, 2013, 3 pages.  
 Amazon.com, TiMOVO Case for Kindle Paperwhite E-reader (10th Generation, 2018 Release)—Standing Origami Slim Shell Cover with Auto Wake / Sleep for Amazon Kindle Paperwhite, Black, [https://www.amazon.com/TiMOVO-All-new-Paperwhite-Generation-Release/dp/B07G5W11WF/ref=as\\_li\\_ss\\_tl?ie=UTF8&linkCode=ll1&tag=ter000-20&linkId=02829c5525543354f2f21e34c01292b7&language=en\\_US](https://www.amazon.com/TiMOVO-All-new-Paperwhite-Generation-Release/dp/B07G5W11WF/ref=as_li_ss_tl?ie=UTF8&linkCode=ll1&tag=ter000-20&linkId=02829c5525543354f2f21e34c01292b7&language=en_US), 7 pages, Jan. 30, 2019.  
 Mobilefun.com, “Moshi VersaCover iPad 9.7 2018 Origami-Style Stand Case”, <https://www.mobilefun.com/moshi-versacover-ipad-9-7-2018-origami-style-stand-case-black-67484>, May 14, 2018, 7 pages.

\* cited by examiner

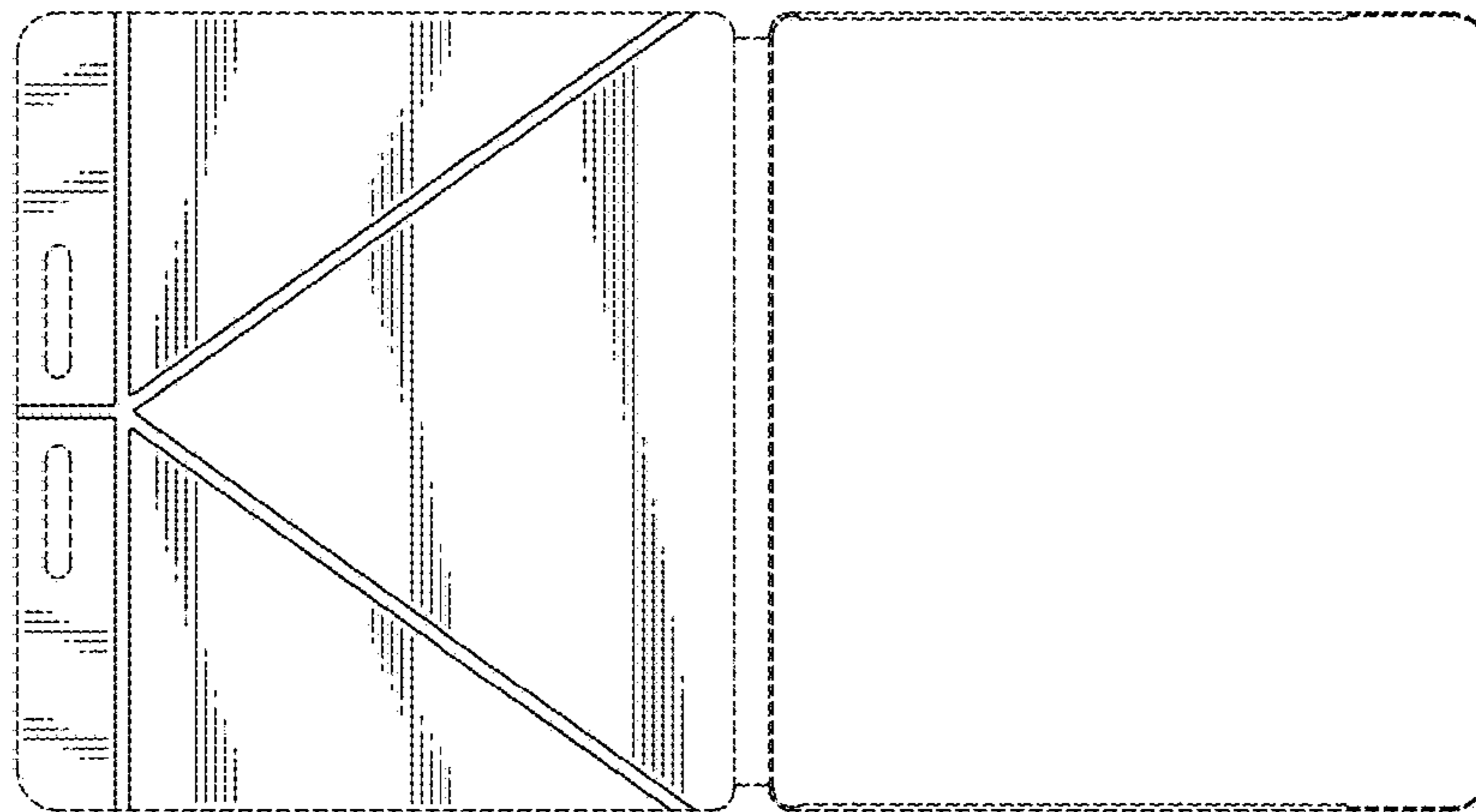


FIG. 1

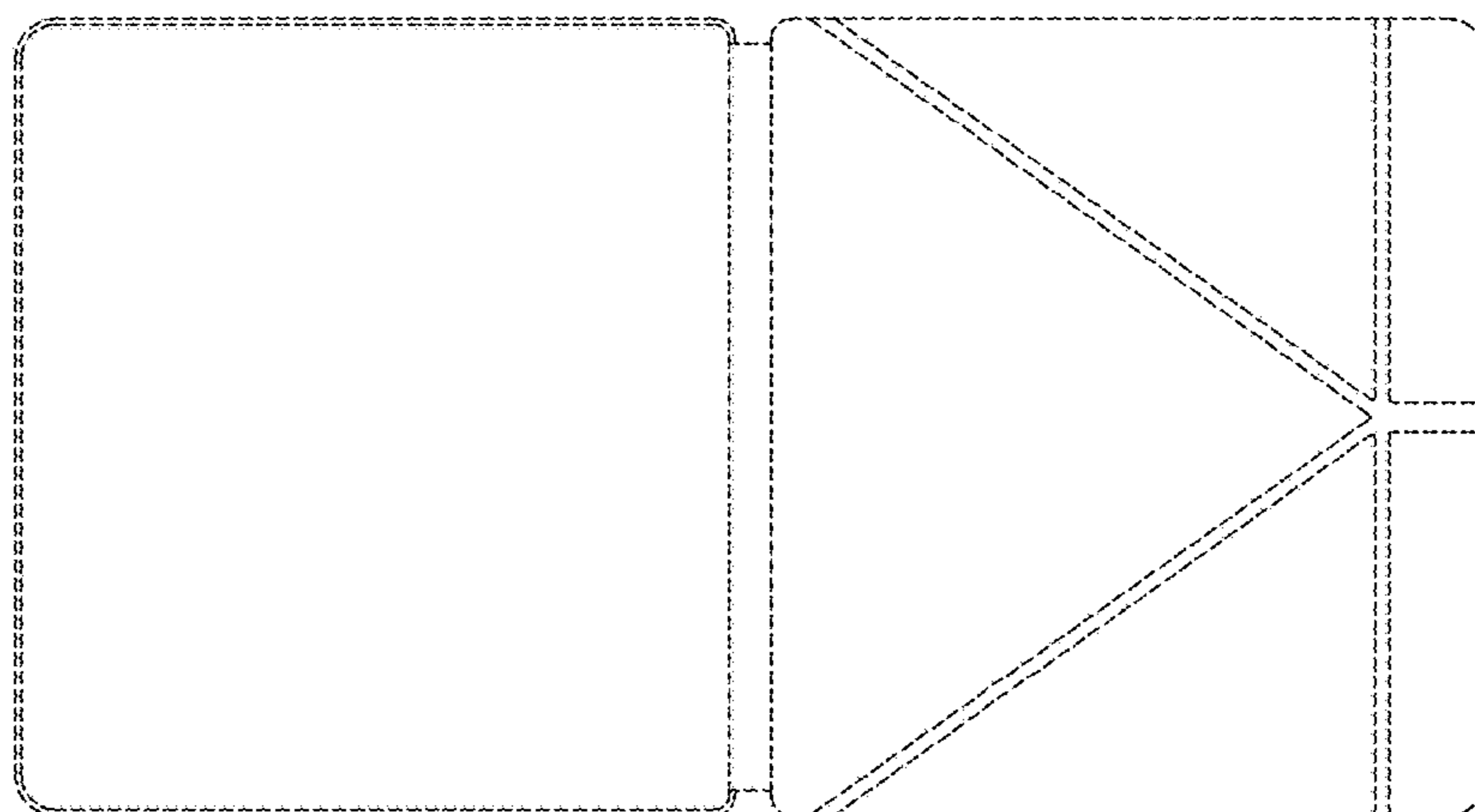


FIG. 2

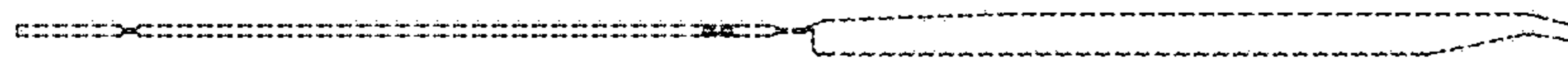


FIG. 3

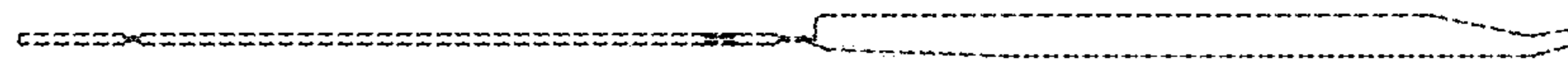


FIG. 4



FIG. 5

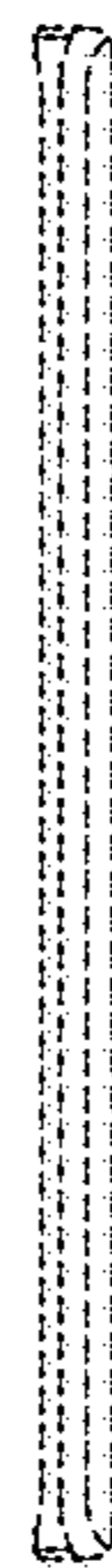


FIG. 6

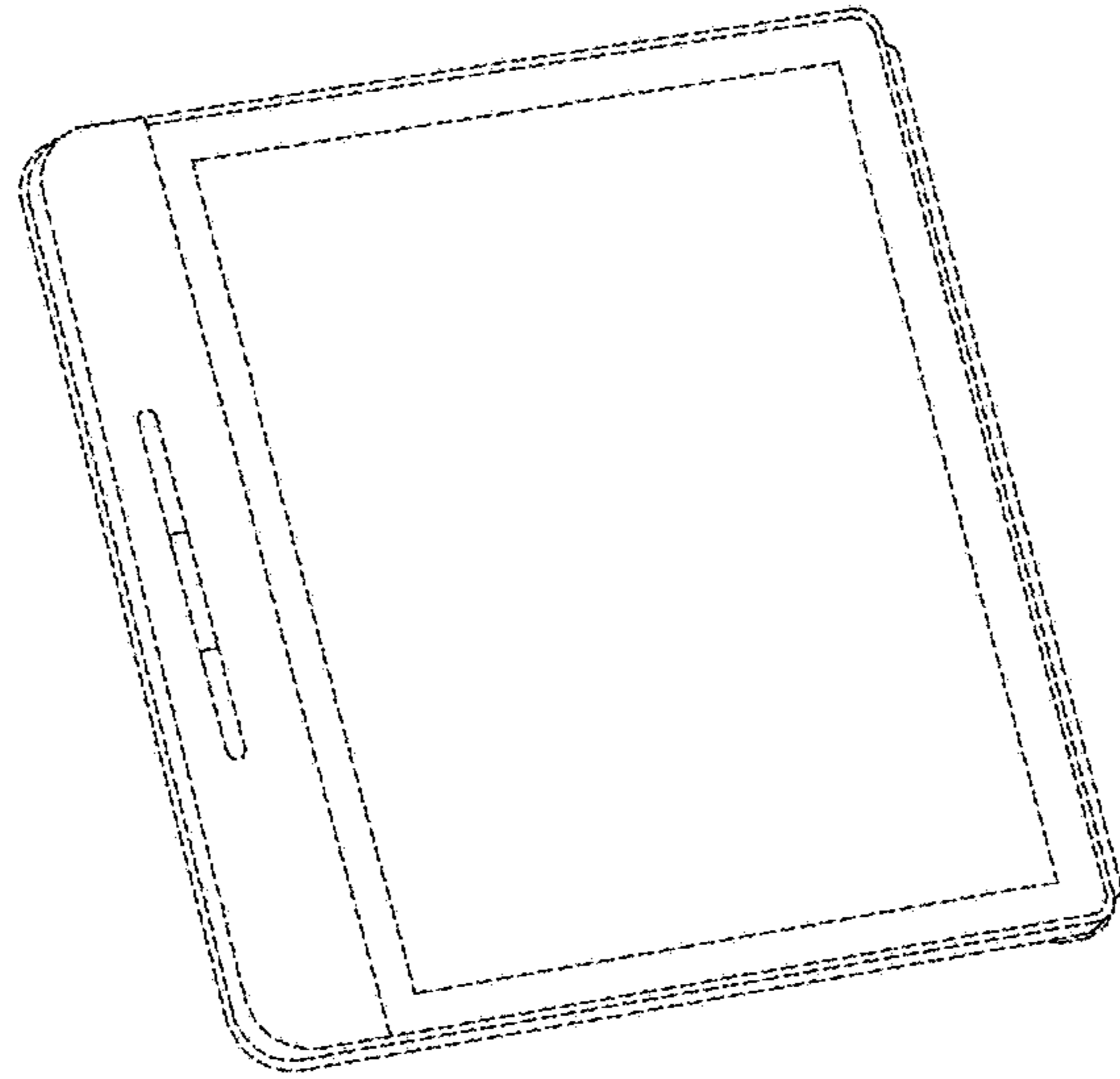


FIG. 7

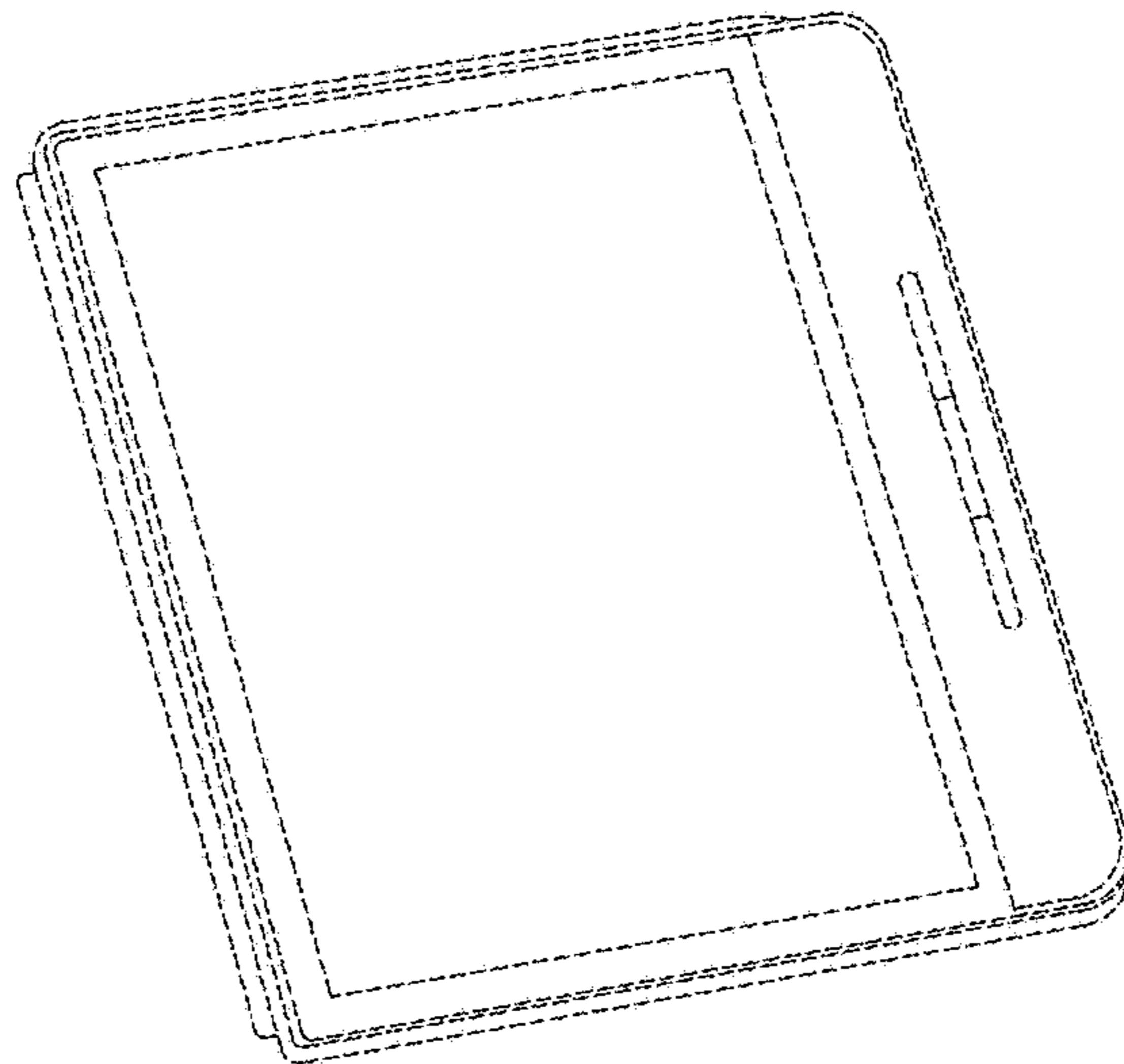


FIG. 8

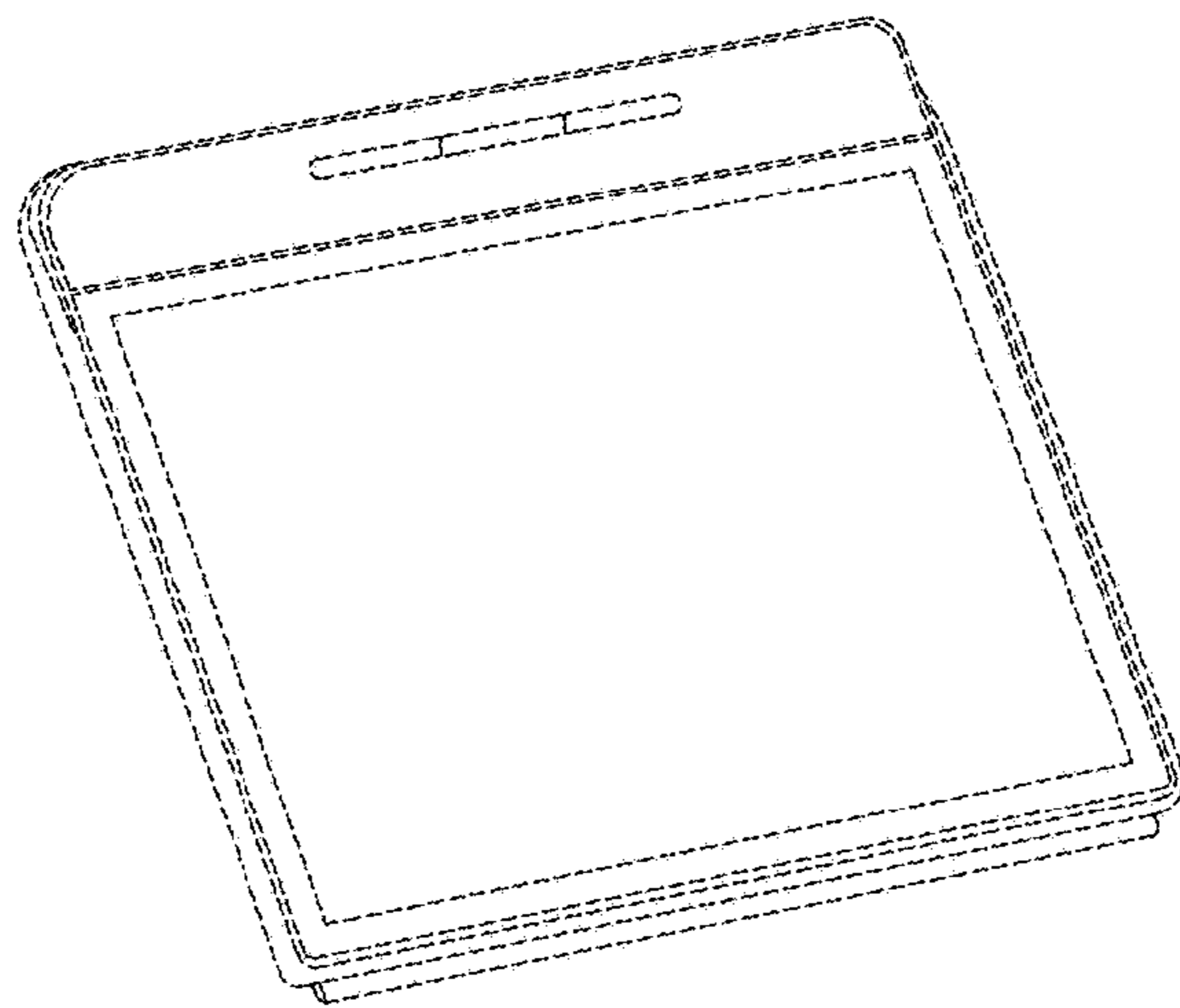


FIG. 9

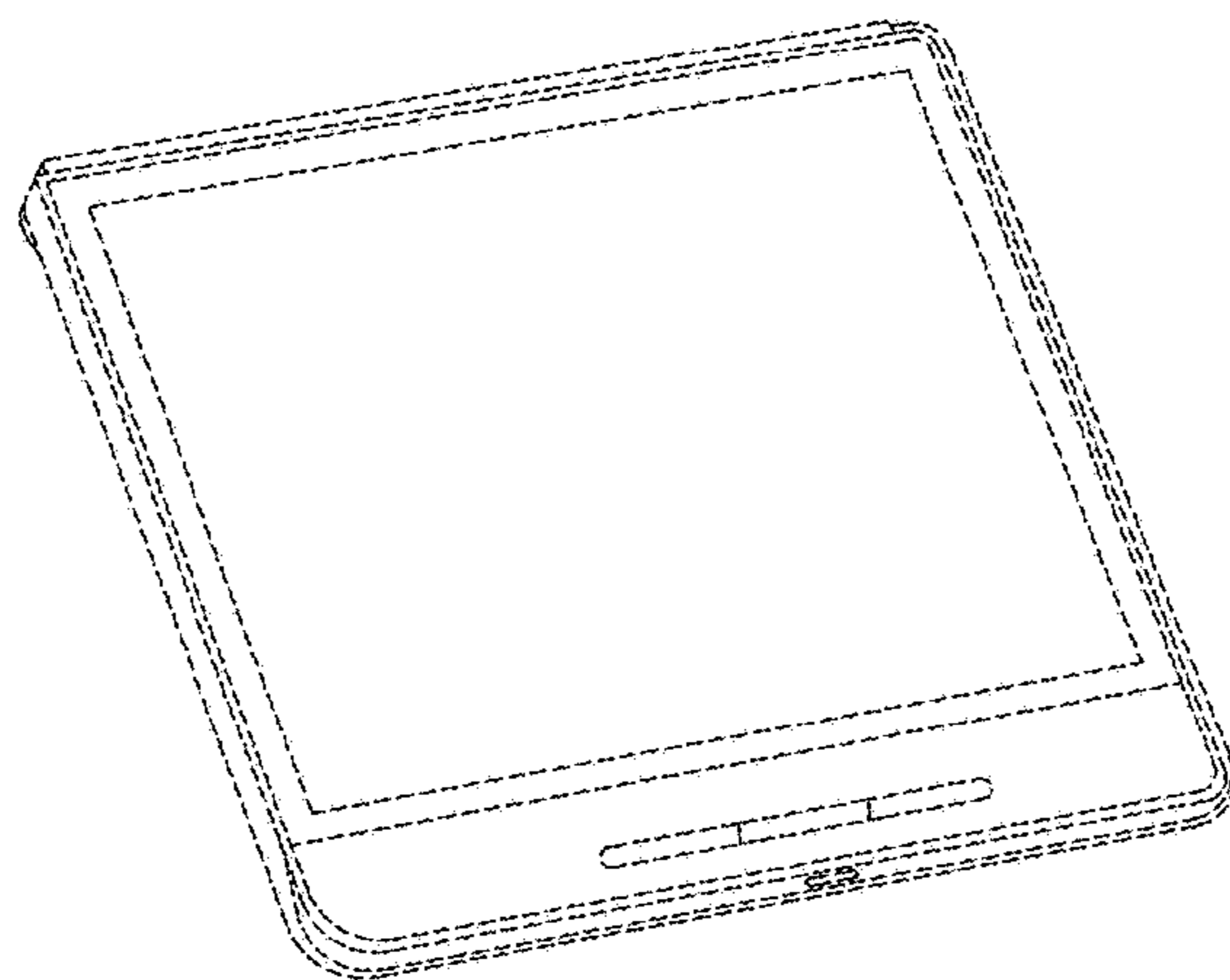


FIG. 10

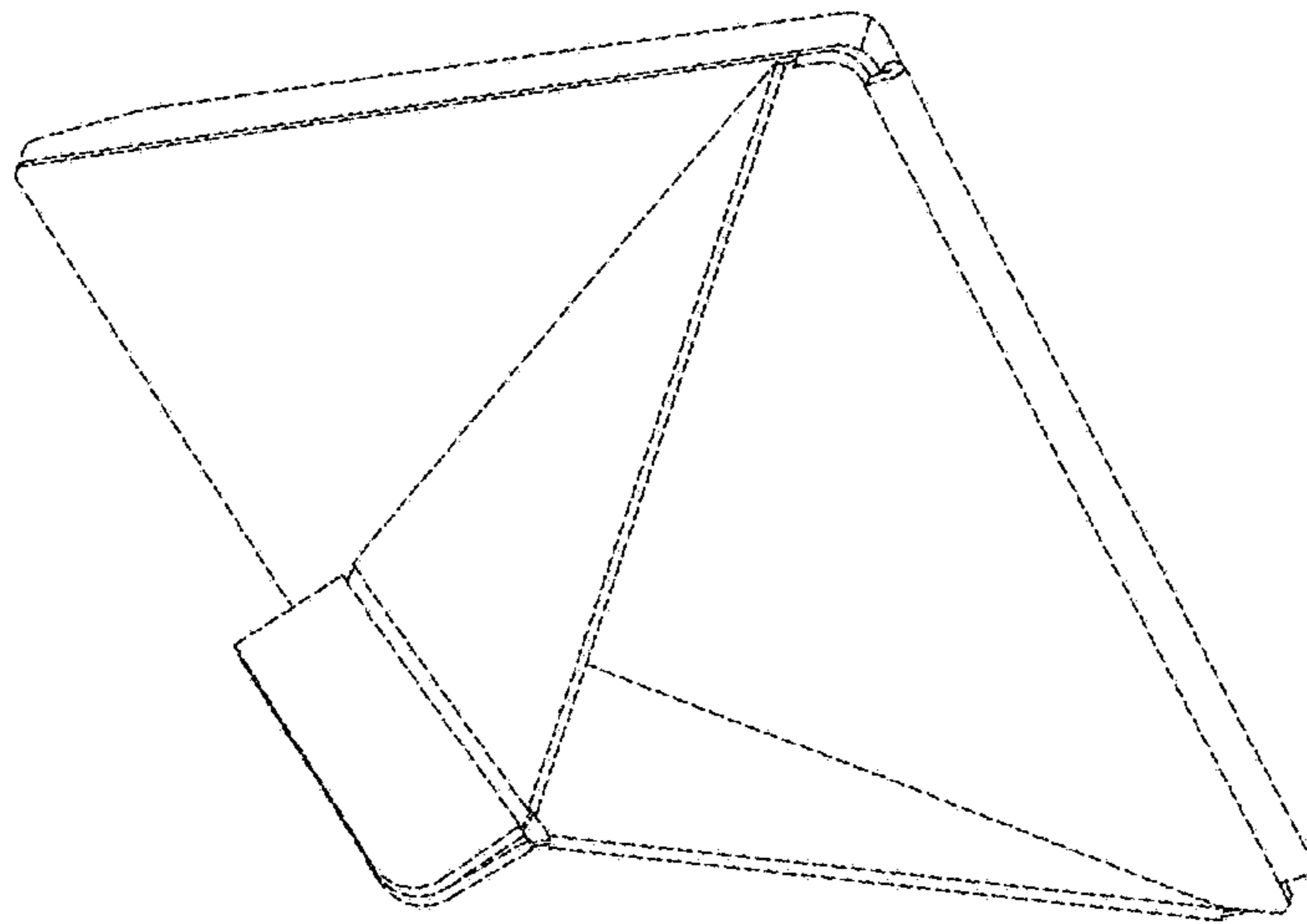


FIG. 11

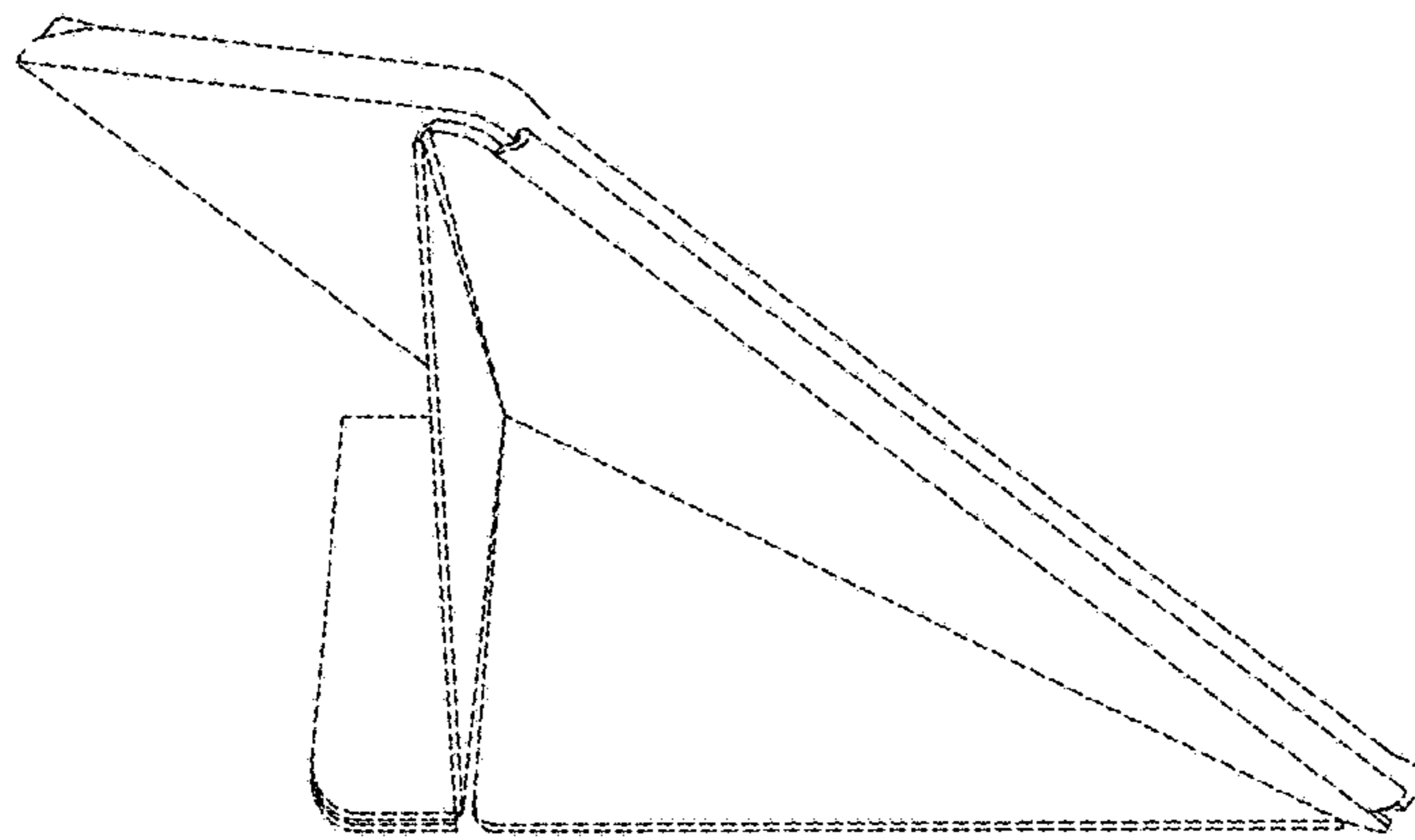


FIG. 12

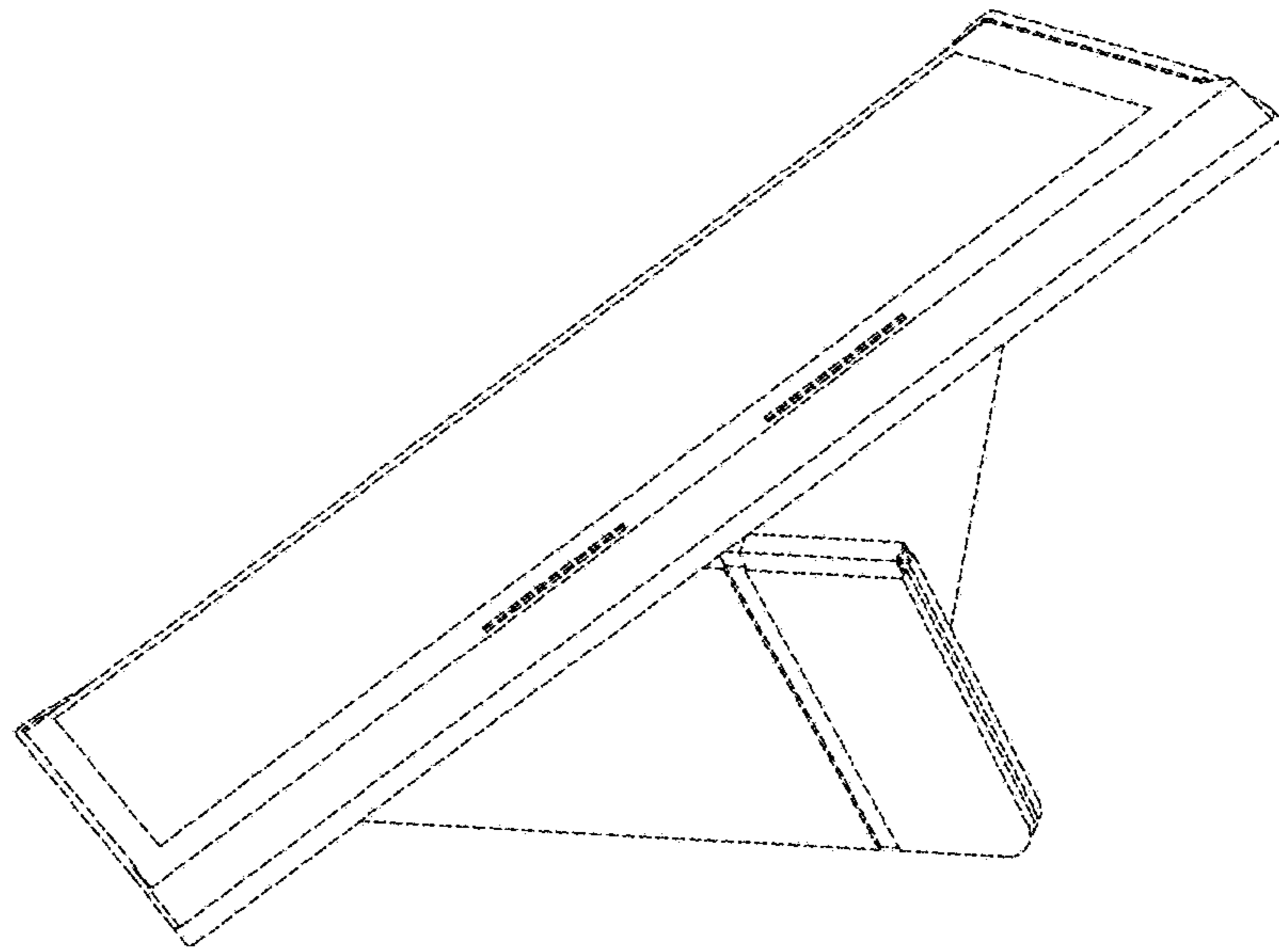


FIG. 13