



US00D875732S

(12) **United States Design Patent**
Tak et al.

(10) **Patent No.:** **US D875,732 S**
(45) **Date of Patent:** **** Feb. 18, 2020**

- (54) **POWER CABLE ACCESSORY**
- (71) Applicant: **Google LLC**, Mountain View, CA (US)
- (72) Inventors: **Jung Geun Tak**, Millbrae, CA (US);
Maj Isabelle Olsson, Sunnyvale, CA (US);
Katherine Morgenroth, Los Gatos, CA (US);
Livius Dumitru Chebeleu, San Jose, CA (US)
- (73) Assignee: **Google LLC**, Mountain View, CA (US)
- (**) Term: **15 Years**
- (21) Appl. No.: **29/685,749**
- (22) Filed: **Mar. 29, 2019**

Related U.S. Application Data

- (63) Continuation of application No. 29/615,775, filed on Aug. 31, 2017, now Pat. No. Des. 851,090.
- (51) **LOC (12) Cl.** **14-02**
- (52) **U.S. Cl.**
USPC **D14/433**
- (58) **Field of Classification Search**
USPC D14/356, 432-434, 453, 454, 511, 203.8,
D14/209.1, 238.1, 240, 125; 439/638,
439/928, 105, 502; 710/303, 304;
361/679.41, 679.55, 679.56; D13/110,
D13/133, 146
CPC ... H04L 12/2832; H04L 12/2838; G06F 3/00;
G06F 5/00; G06F 13/14
See application file for complete search history.

(56) **References Cited**

U.S. PATENT DOCUMENTS

- D409,150 S 5/1999 Davis et al.
- D416,233 S 11/1999 Tsai
- D514,095 S * 1/2006 Wilson D14/223
- D574,834 S 8/2008 Chen

- D591,678 S * 5/2009 Whitley D13/133
- D601,150 S 9/2009 Romero
- D628,537 S 12/2010 Nagata et al.
- D640,199 S * 6/2011 Wilson D13/139.7
- D678,285 S 3/2013 Chen
- D709,504 S 7/2014 Breines
- D727,907 S 4/2015 Higashi
- D731,489 S 6/2015 Langhammer et al.
- D743,398 S 11/2015 Smith et al.
- D755,790 S 5/2016 Salvatori et al.
- D757,011 S 5/2016 Sakai
- D782,485 S 3/2017 Cai
- D786,876 S * 5/2017 Huang D14/433

(Continued)

Primary Examiner — Austin Murphy

(74) *Attorney, Agent, or Firm* — Morgan, Lewis & Bockius LLP

(57) **CLAIM**

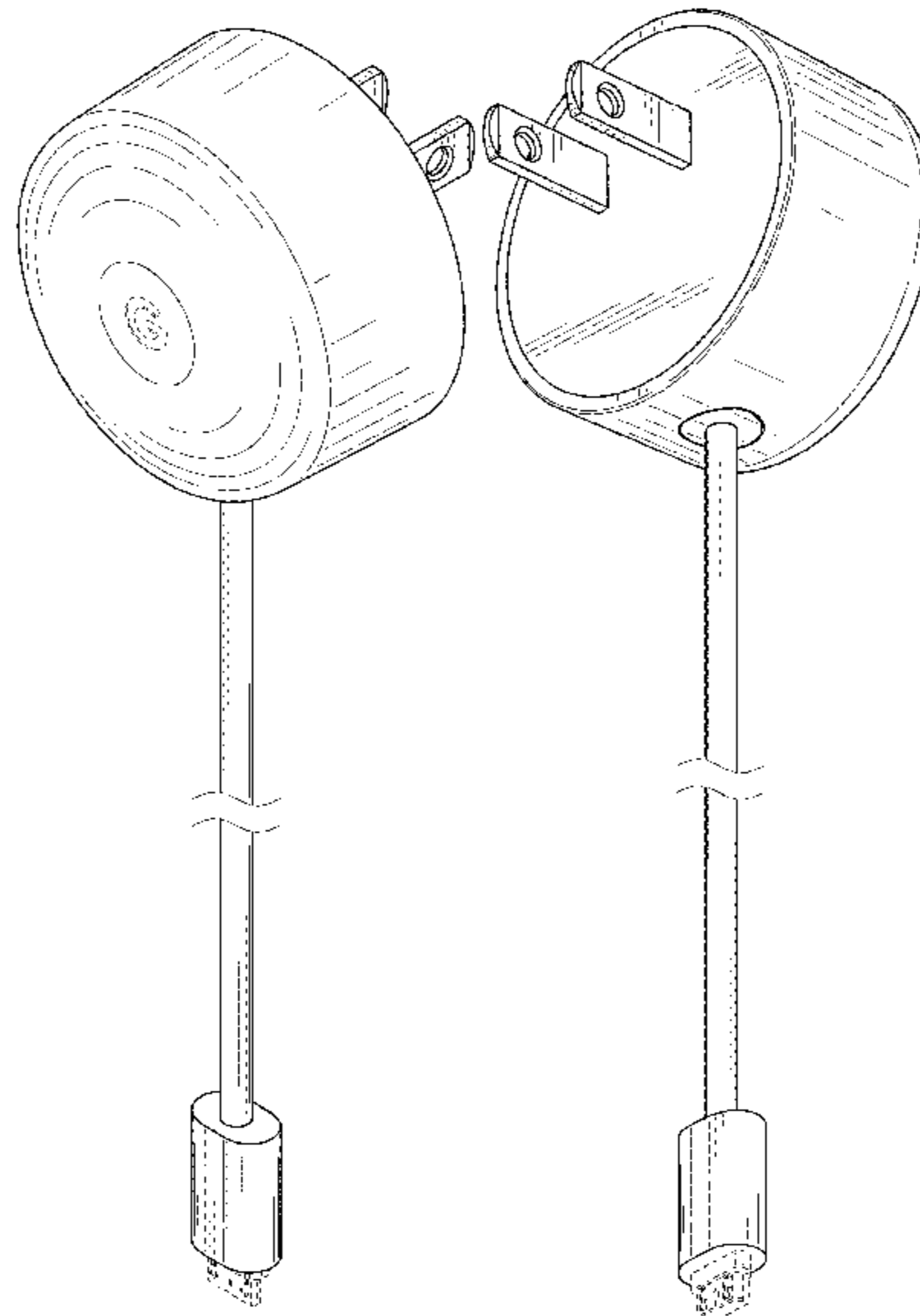
The ornamental design for a power cable accessory, as shown and described.

DESCRIPTION

FIG. 1 is a front perspective view of a power cable accessory showing our new design;
 FIG. 2 is a front elevational view thereof;
 FIG. 3 is a rear elevational view thereof;
 FIG. 4 is a right-side elevational view thereof;
 FIG. 5 is a left-side elevational view thereof;
 FIG. 6 is a top plan view thereof;
 FIG. 7 is a bottom plan view thereof; and,
 FIG. 8 is a rear perspective view thereof.

The broken lines immediately adjacent the shaded areas represent the bounds of the claimed design while all other broken lines are directed to unclaimed portions and are for illustrative purposes only; the broken lines form no part of the claimed design. The pair of closely adjacent, spaced wavy dash-dot lines forms no part of the claimed design, and the portion between the pair of wavy dash-dot lines is broken away to disclose indeterminate length.

1 Claim, 5 Drawing Sheets



(56)

References Cited

U.S. PATENT DOCUMENTS

D791,700 S *	7/2017	Loewen	D13/108
D794,029 S	8/2017	Lin	
D800,068 S	10/2017	Kim	
D810,748 S	2/2018	Zhang	
D810,749 S	2/2018	Zhang	
D813,873 S	3/2018	Pathak et al.	
D815,096 S *	4/2018	Ebrahimi Afrouzi	D14/433
9,935,408 B1	4/2018	Pathak et al.	
D832,260 S	10/2018	Hutton et al.	
D845,303 S *	4/2019	Laffon de Mazieres	D14/433
D851,090 S *	6/2019	Tak	D14/433
D853,982 S *	7/2019	Lu	D14/155
D854,018 S *	7/2019	Liao	D14/434

* cited by examiner

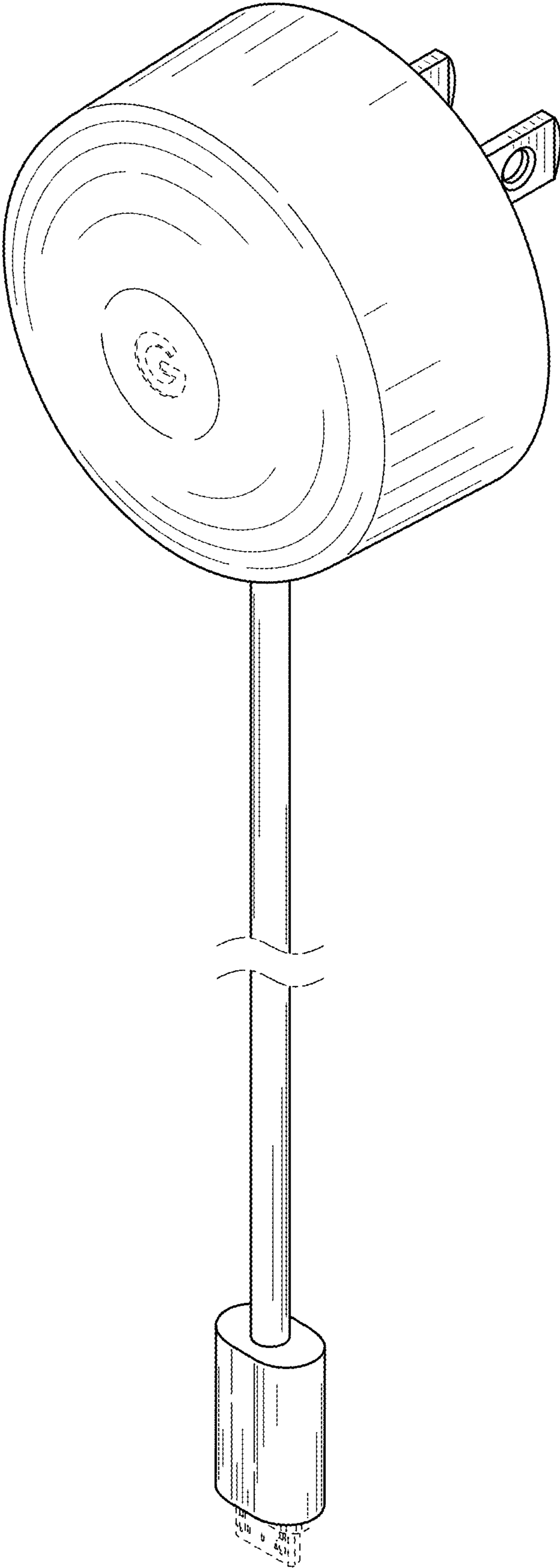


FIG. 1

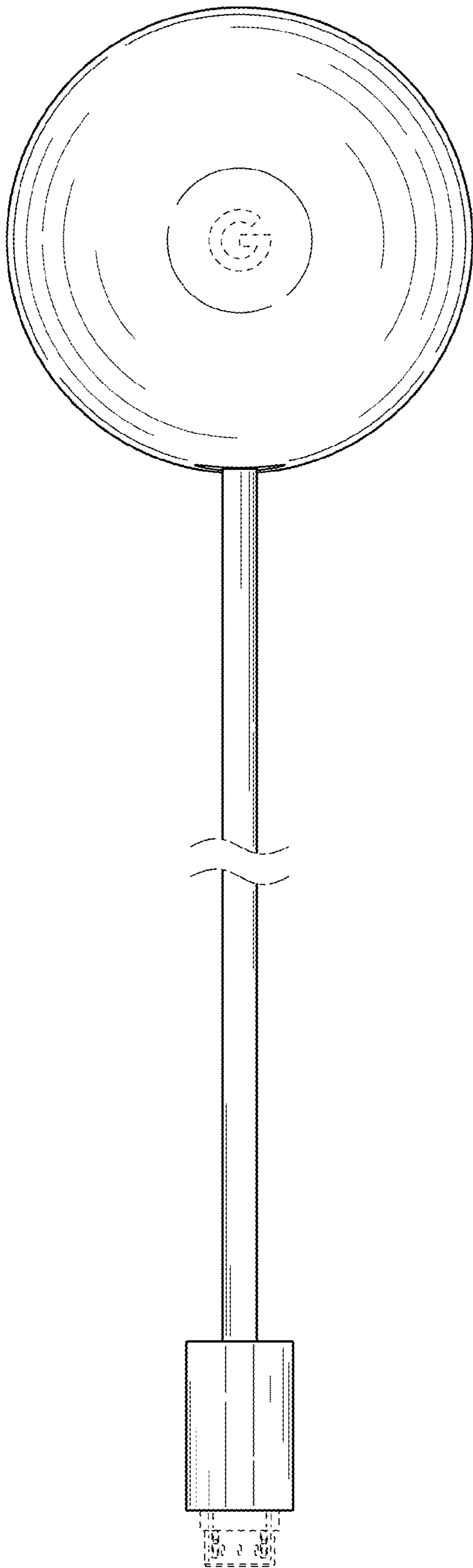


FIG. 2

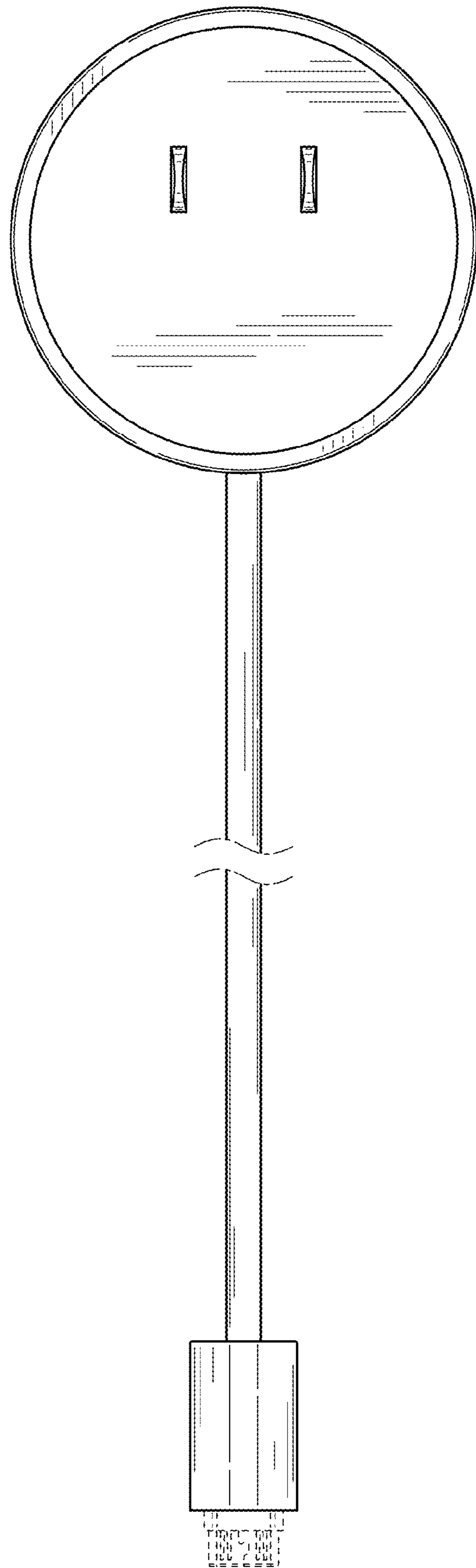


FIG. 3

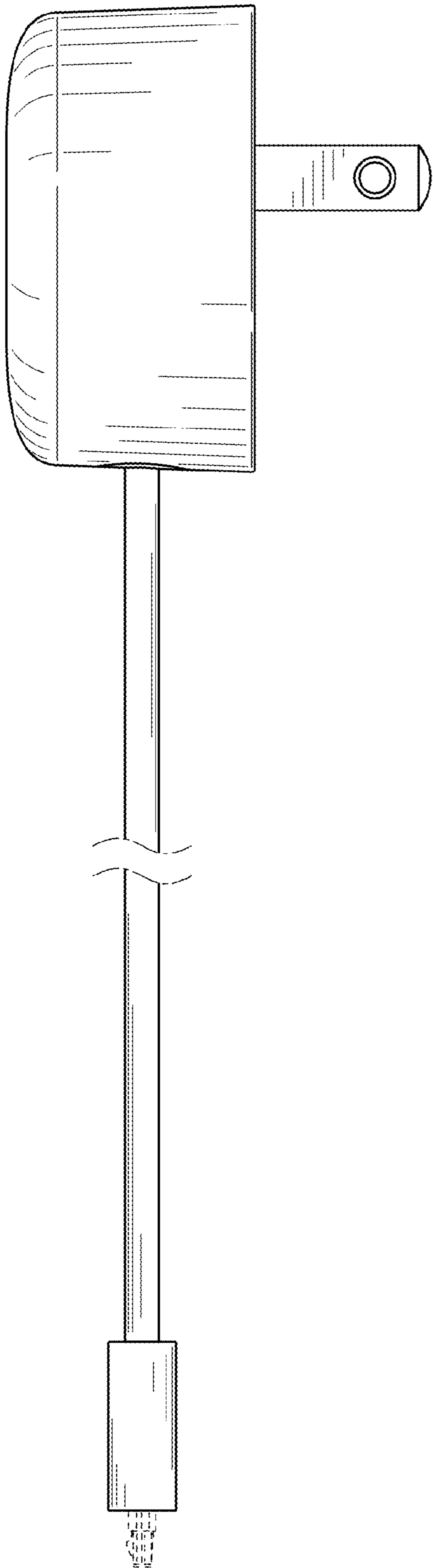


FIG. 4

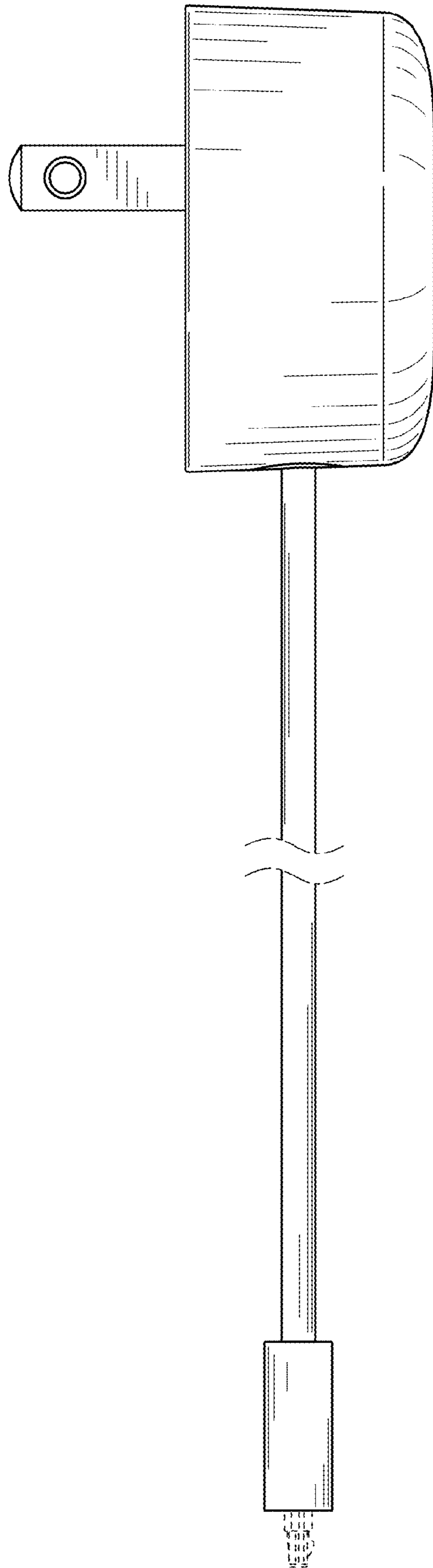


FIG. 5

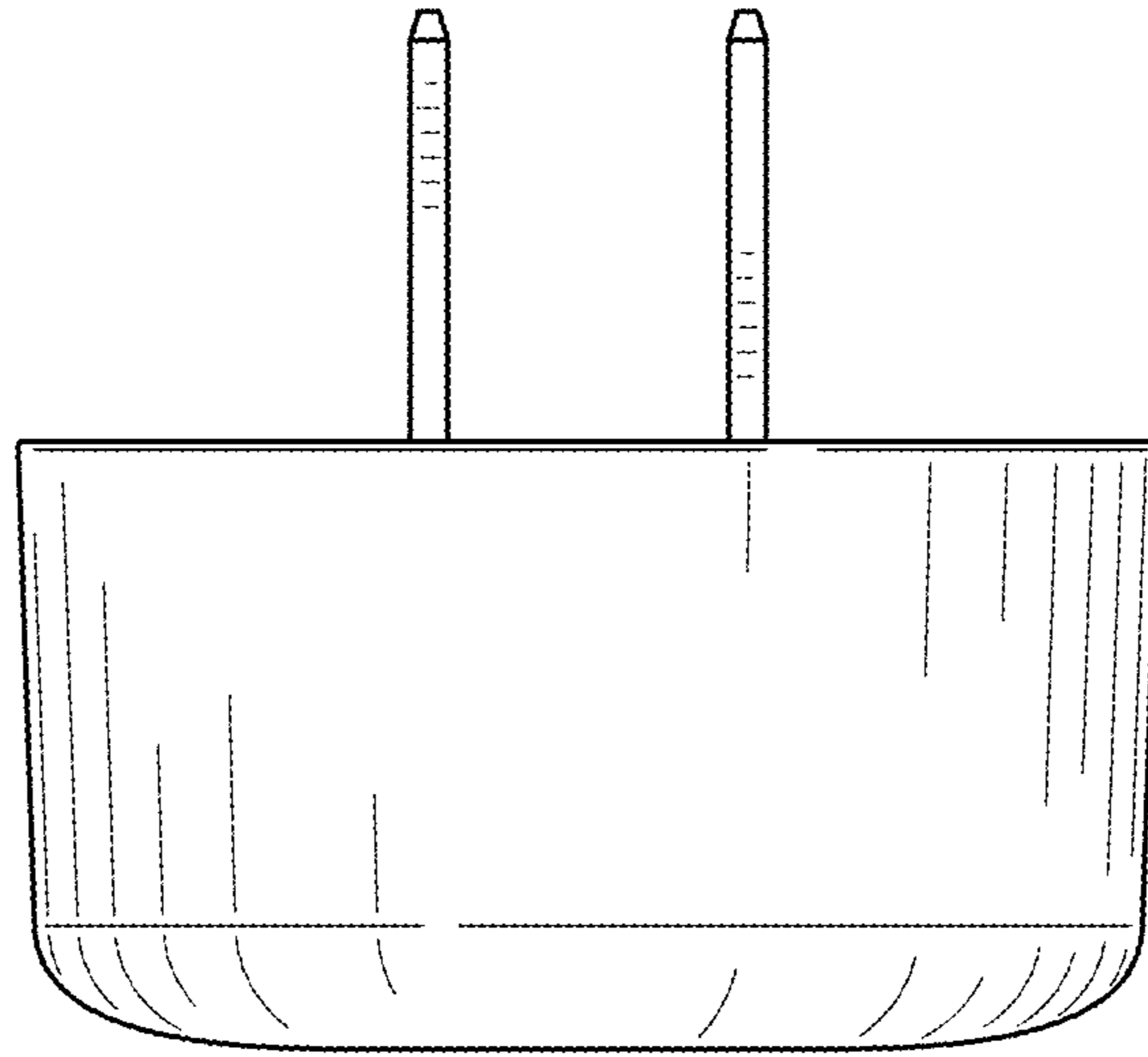


FIG. 6

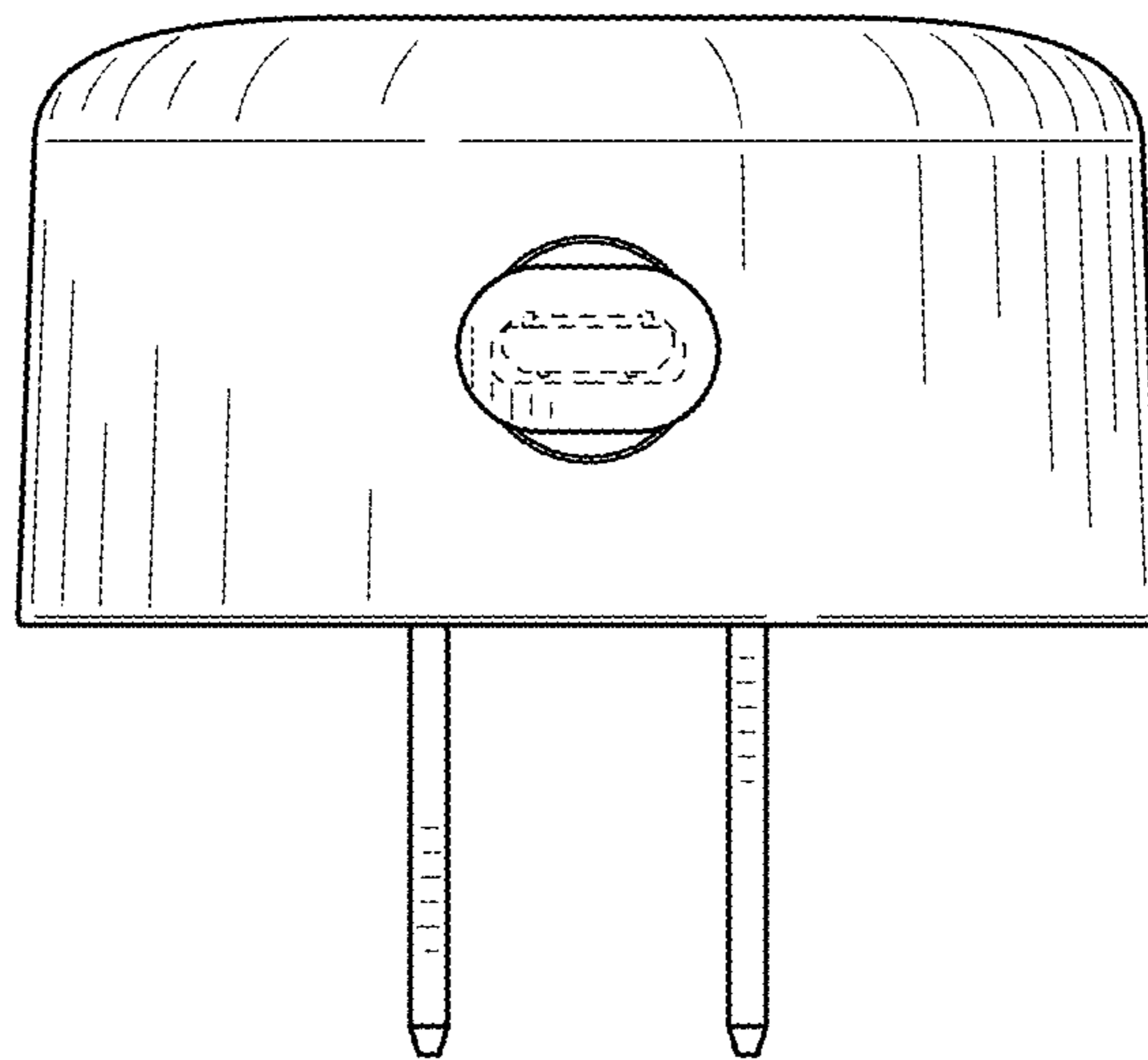


FIG. 7

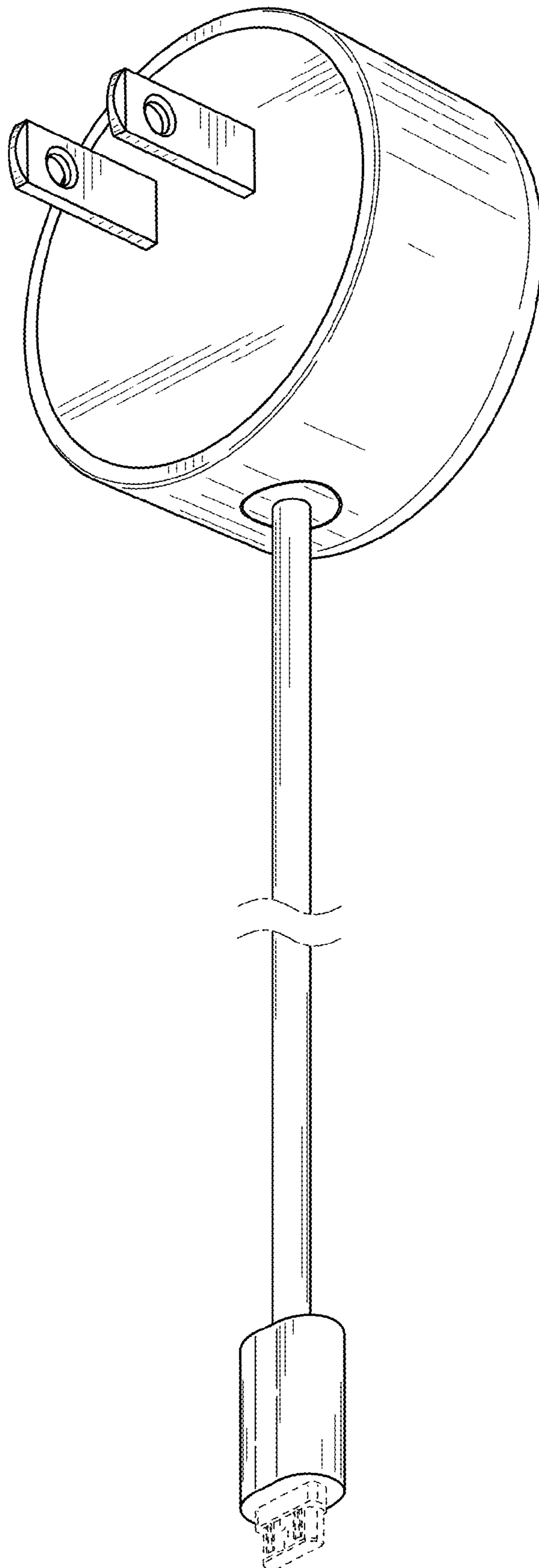


FIG. 8