



US00D875731S

(12) **United States Design Patent** (10) **Patent No.:** **US D875,731 S**
Rüegg et al. (45) **Date of Patent:** **** Feb. 18, 2020**

(54) **PRESENTER DEVICE**

(71) Applicant: **Logitech Europe S.A.**, Lausanne (CH)

(72) Inventors: **Martin Caspar Rüegg**, MuttENZ (CH);
Marten Helwig, Bern-Hinterkappelen (CH); **Libao Wu**, Fremont, CA (US);
Olivier Gregoire, San Francisco, CA (US); **Jasper Phua**, Lausanne (CH);
Padraig Mcloughlin, County Monogham (IE); **Fleming Chao**, Hsinchu (TW)

(73) Assignee: **Logitech Europe S.A.**, Lausanne (CH)

(**) Term: **15 Years**

(21) Appl. No.: **29/669,366**

(22) Filed: **Nov. 7, 2018**

Related U.S. Application Data

(60) Continuation of application No. 29/655,469, filed on Jul. 3, 2018, now Pat. No. Des. 856,333, and a continuation of application No. 29/655,468, filed on Jul. 3, 2018, now Pat. No. Des. 856,332, said application No. 29/655,469 is a division of application No. 29/588,884, filed on Dec. 23, 2016, now Pat. No. Des. 826,937, said application No. 29/655,468 is a division of application No. 29/588,884, which is a continuation of application No. 15/389,215, filed on Dec. 22, 2016.

(51) **LOC (12) Cl.** **14-02**

(52) **U.S. Cl.**
USPC **D14/388**; D14/218

(58) **Field of Classification Search**
USPC D14/388, 218, 454, 299, 496, 400, 401, D14/432, 455, 456, 511, 217, 238.1, 399; D21/333; D13/168, 171, 173, 174
CPC A63F 13/24; A63F 13/213; A63F 13/214; A63F 13/00; A63F 13/212; A63F 13/20; G06F 3/014; G06F 3/017; G06F 3/02; G06F 3/0308; G06F 3/0338; G06F 3/038; G06F 3/14

See application file for complete search history.

(56) **References Cited**

U.S. PATENT DOCUMENTS

D394,264 S * 5/1998 Sakamoto D14/218
D418,141 S * 12/1999 Godette D14/218
D433,404 S * 11/2000 Thakur D14/218
D477,590 S * 7/2003 Ahn D14/218
D491,922 S * 6/2004 Poulet D14/218
D529,512 S * 10/2006 Reawsanguanwong .. D14/203.3

(Continued)

OTHER PUBLICATIONS

Presenters and input Devices. (Design—© Questel) orbit.com. [online PDF] 22 pgs. Print Dates range from Jul. 18, 2012 to Jan. 18, 2018. [Retrieved on Mar. 20, 2018] <https://sobjprd.questel.fr/export/QPTUJ214/pdf2/8eea81e8-3803-4960-b481-a745130f29bb-161633.pdf>.*

Primary Examiner — Marie D. Fast Horse
(74) *Attorney, Agent, or Firm* — Kilpatrick Townsend & Stockton LLP

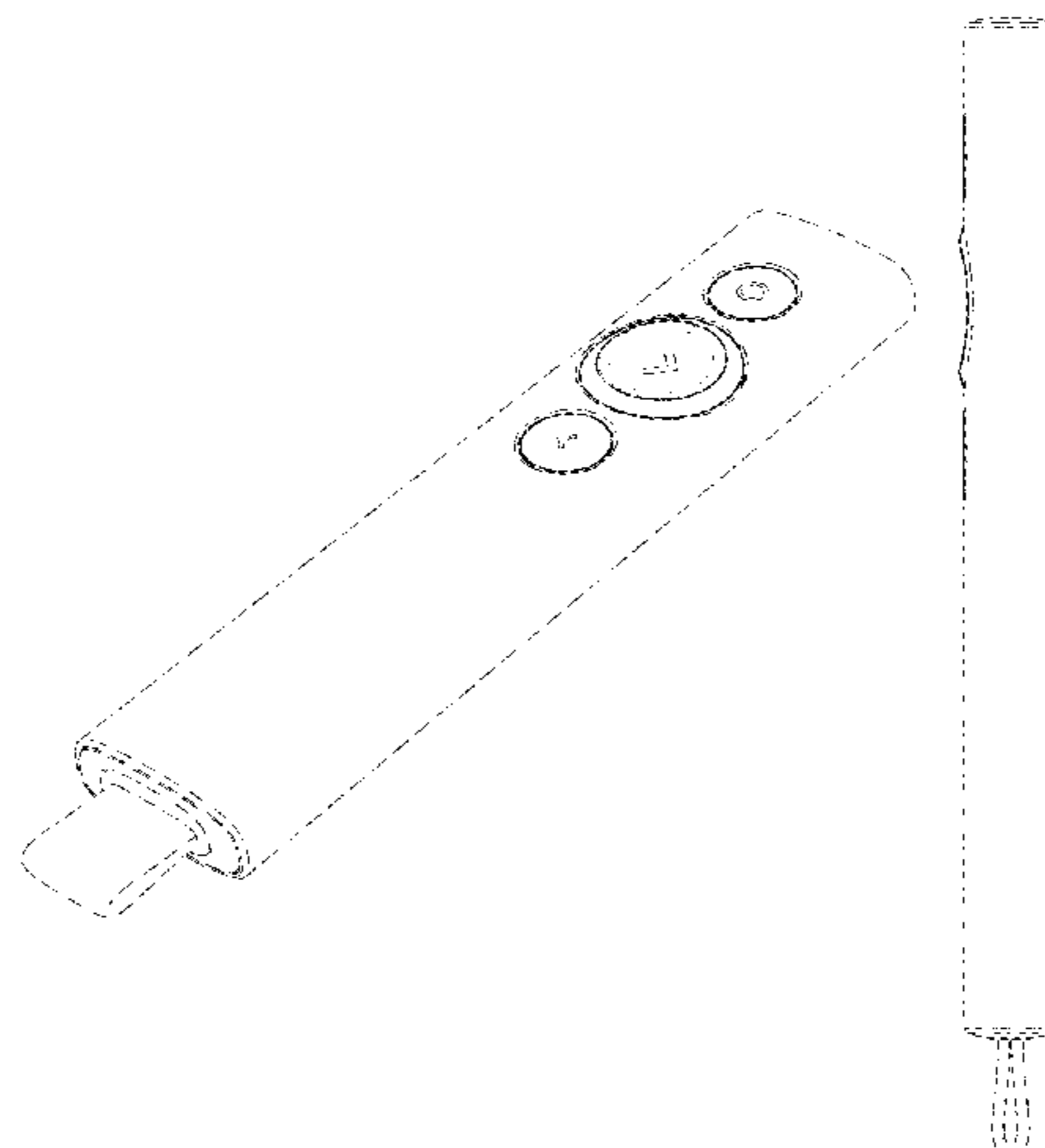
(57) **CLAIM**

The ornamental design for the presenter device, as shown and described.

DESCRIPTION

FIG. 1 is a perspective view of a presenter device showing our new design;
FIG. 2 is a top plan view thereof;
FIG. 3 is a bottom plan view thereof;
FIG. 4 is a front elevation view thereof;
FIG. 5 is a rear elevation view thereof;
FIG. 6 is a left elevation view thereof; and,
FIG. 7 is a right elevation view thereof.
The broken lines in the drawings depict portions of the presenter device that form no part of the claimed design.

1 Claim, 4 Drawing Sheets



(56)

References Cited

U.S. PATENT DOCUMENTS

D530,340 S * 10/2006 Andre D14/203.3
 D531,190 S * 10/2006 Lee D14/203.3
 D531,586 S * 11/2006 Poulet D13/168
 D531,587 S * 11/2006 Poulet D13/168
 D534,921 S * 1/2007 Andre D14/203.3
 D535,308 S * 1/2007 Andre D14/203.3
 D539,814 S * 4/2007 Andre D14/203.3
 D546,782 S * 7/2007 Poulet D13/168
 D572,206 S * 7/2008 Ikeda D13/168
 D585,077 S * 1/2009 Sheba D14/434
 D592,677 S * 5/2009 Sheba D14/434
 D612,839 S * 3/2010 Kato D14/218
 D614,604 S * 4/2010 Hoehn D14/218
 D620,456 S * 7/2010 Akana D13/168
 D620,925 S * 8/2010 Geck D14/218
 D626,530 S * 11/2010 Andre D14/203.3
 D631,851 S * 2/2011 Smith D13/168
 D656,127 S * 3/2012 Kay D14/218
 D673,138 S * 12/2012 Kim D14/218
 D703,186 S * 4/2014 Zaslaysky D14/218
 D703,188 S * 4/2014 Maier D14/218
 D704,167 S * 5/2014 Akana D14/218
 D714,762 S * 10/2014 O'Neil D14/218
 D733,100 S * 6/2015 Kim D14/218
 D760,701 S * 7/2016 Lyons D14/218
 D770,455 S * 11/2016 Lee D14/155
 D785,598 S * 5/2017 Ikonen D14/218
 D789,364 S * 6/2017 Jentz D14/218
 D792,372 S * 7/2017 Kim D14/204
 D793,366 S * 8/2017 Kato D14/218
 D793,367 S * 8/2017 Kato D14/218

D795,256 S * 8/2017 Jentz D14/388
 D795,842 S * 8/2017 Cha D14/218
 D795,870 S * 8/2017 Jentz D14/388
 D795,871 S * 8/2017 Jentz D14/388
 D796,484 S * 9/2017 Chen D14/218
 D798,272 S * 9/2017 Desagre D14/218
 D798,274 S * 9/2017 Huang D14/218
 D798,275 S * 9/2017 Huang D14/218
 D799,449 S * 10/2017 Yoon D14/218
 D799,450 S * 10/2017 Lee D14/218
 D801,311 S * 10/2017 Akana D14/218
 D805,058 S * 12/2017 Akana D14/218
 D805,501 S * 12/2017 Akana D14/218
 D805,502 S * 12/2017 Zhuang D14/218
 D816,638 S * 5/2018 Kim D14/218
 D826,937 S * 8/2018 Ruegg D14/388
 D836,567 S * 12/2018 Lee D13/168
 D837,747 S * 1/2019 Lee D13/168
 D840,360 S * 2/2019 Scott D13/168
 D844,971 S * 4/2019 Laurans D3/207
 D846,452 S * 4/2019 Collins D12/133
 D848,424 S * 5/2019 Kujawski D14/401
 D856,332 S * 8/2019 Ruegg D14/388
 D856,333 S * 8/2019 Ruegg D14/388
 D857,017 S * 8/2019 Cheng D14/388
 2005/0024321 A1 * 2/2005 Tsai G06F 3/0219
 345/156
 2005/0038660 A1 * 2/2005 Black G06F 3/167
 704/275
 2010/0309123 A1 * 12/2010 Sawai G06F 3/0346
 345/157
 2018/0173326 A1 * 6/2018 Mathias G06F 3/04812
 2018/0181263 A1 * 6/2018 Mathias G06F 3/0482

* cited by examiner

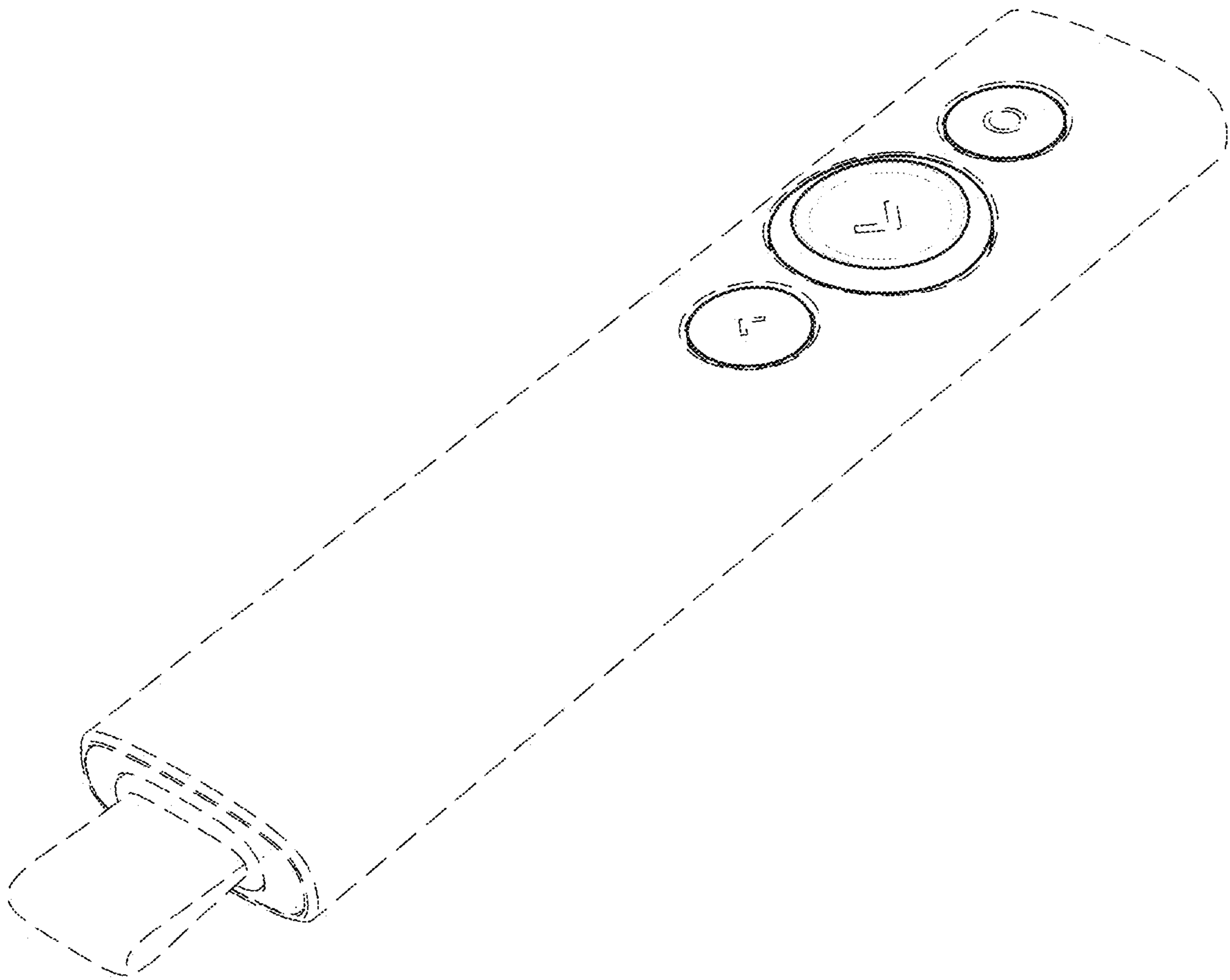


FIG. 1

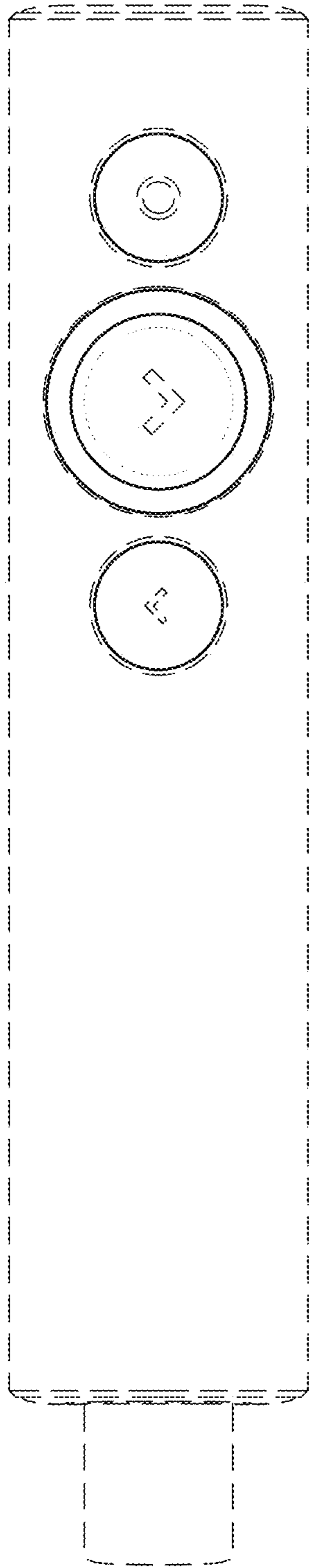


FIG. 2

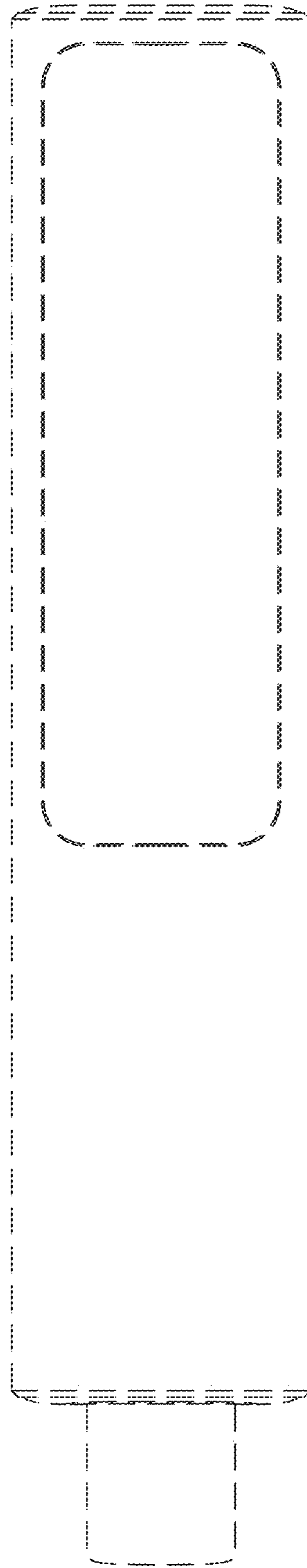


FIG. 3

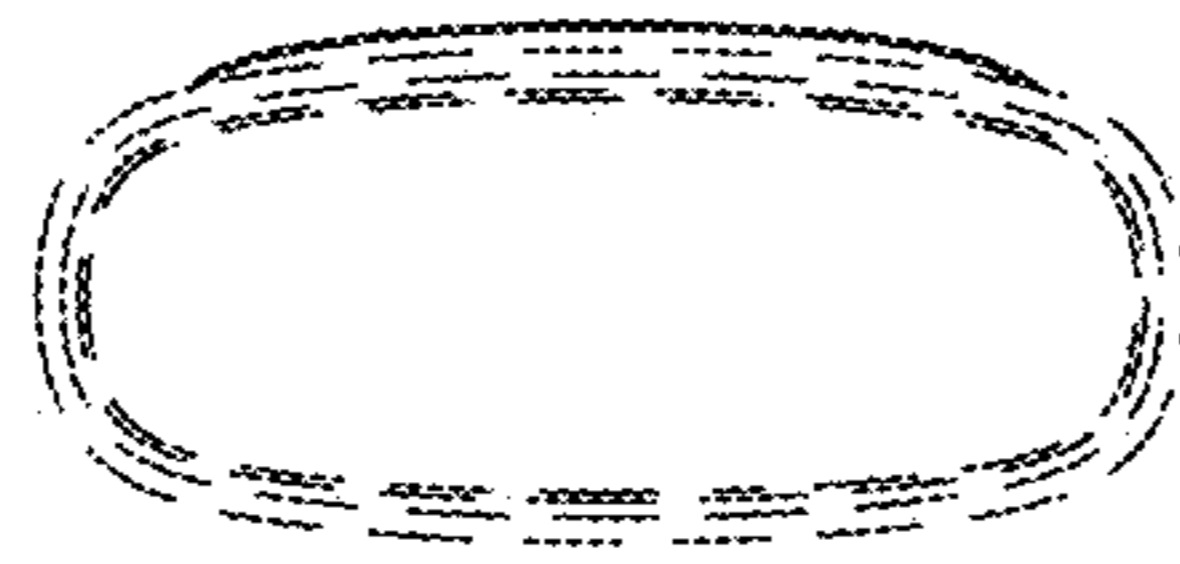


FIG. 4

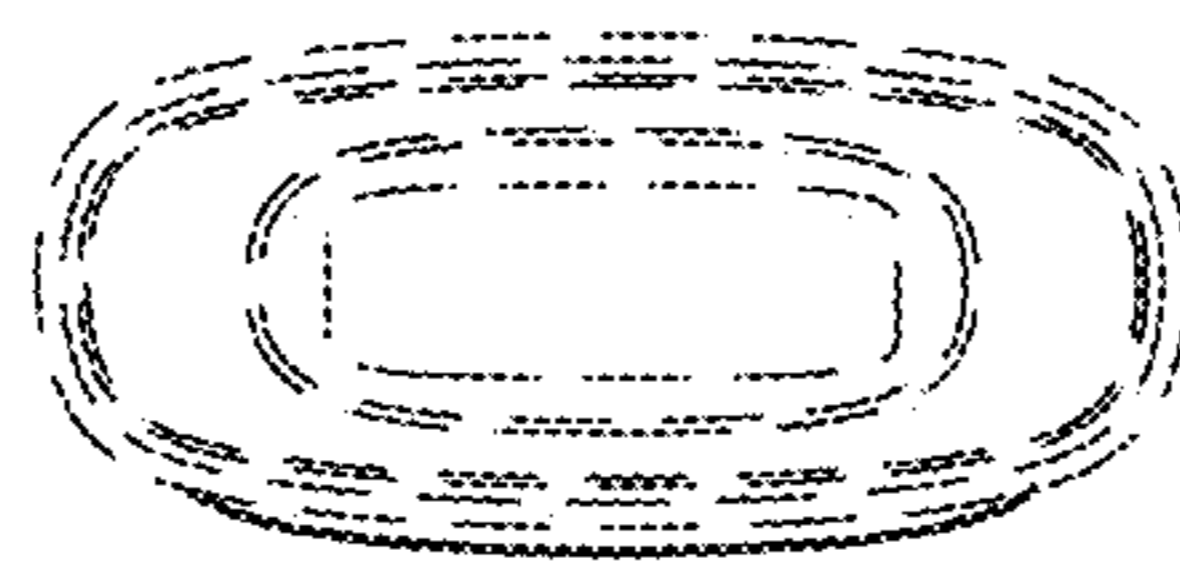


FIG. 5



FIG. 6



FIG. 7