



US00D875722S

(12) **United States Design Patent**
Polley

(10) **Patent No.:** **US D875,722 S**

(45) **Date of Patent:** **** Feb. 18, 2020**

(54) **DEVICE FOR PICK-UP, HANDLING AND TRANSPORT OF HAZARDOUS WASTE AND RELATED PARAPHERNALIA**

(71) Applicant: **Michael A. Polley**, Ashland, KY (US)

(72) Inventor: **Michael A. Polley**, Ashland, KY (US)

(**) Term: **15 Years**

(21) Appl. No.: **29/673,114**

(22) Filed: **Dec. 12, 2018**

(51) **LOC (12) Cl.** **14-03**

(52) **U.S. Cl.**
USPC **D14/230; D30/162**

(58) **Field of Classification Search**
USPC D14/138, 230–238, 299, 358; D12/42, D12/43; D30/162
CPC H01Q 7/00; H01Q 13/10; H01Q 9/285; H01Q 19/30; H01Q 19/12; H01Q 1/38; H01Q 1/36; H04B 1/0475; H04B 1/034; H05K 11/00; A01K 23/005; E01H 1/1206
See application file for complete search history.

(56) **References Cited**

U.S. PATENT DOCUMENTS

- 1,133,388 A 3/1915 Merrill et al.
- 1,178,237 A * 4/1916 Keating A47F 7/163
211/45
- D60,275 S * 1/1922 Stone D19/65
- 2,145,539 A * 1/1939 Bottorf A45D 2/08
132/228
- 2,596,635 A * 5/1952 Wolfe A44B 9/12
24/503
- 3,126,895 A * 3/1964 Leclabart A45D 4/08
132/234
- 3,653,392 A * 4/1972 Hassey A45D 6/145
132/252
- 3,738,697 A * 6/1973 Kahan B65D 75/22
294/1.4
- D259,968 S 7/1981 Schneider
- 4,624,272 A * 11/1986 Franzino A45D 6/145
132/251
- 4,829,999 A 5/1989 Auth

- D319,966 S * 9/1991 Ellison D8/382
 - D356,340 S * 3/1995 Browning, Jr. D19/65
 - 5,503,442 A 4/1996 Lee
 - 6,059,332 A * 5/2000 Beascochea Inchaurrega
E01H 1/1206
294/1.3
 - 6,360,752 B1 * 3/2002 Chang A45D 2/362
132/259
 - D488,258 S * 4/2004 Walker D28/40
- (Continued)

FOREIGN PATENT DOCUMENTS

- CN 205215369 U 5/2016
- CN 205460183 U 8/2016

OTHER PUBLICATIONS

CN205215369 English Machine Translation.
CN205460183 English Machine Translation—Abstract only available.

Primary Examiner — John Windmuller
(74) *Attorney, Agent, or Firm* — King & Schickli, PLLC

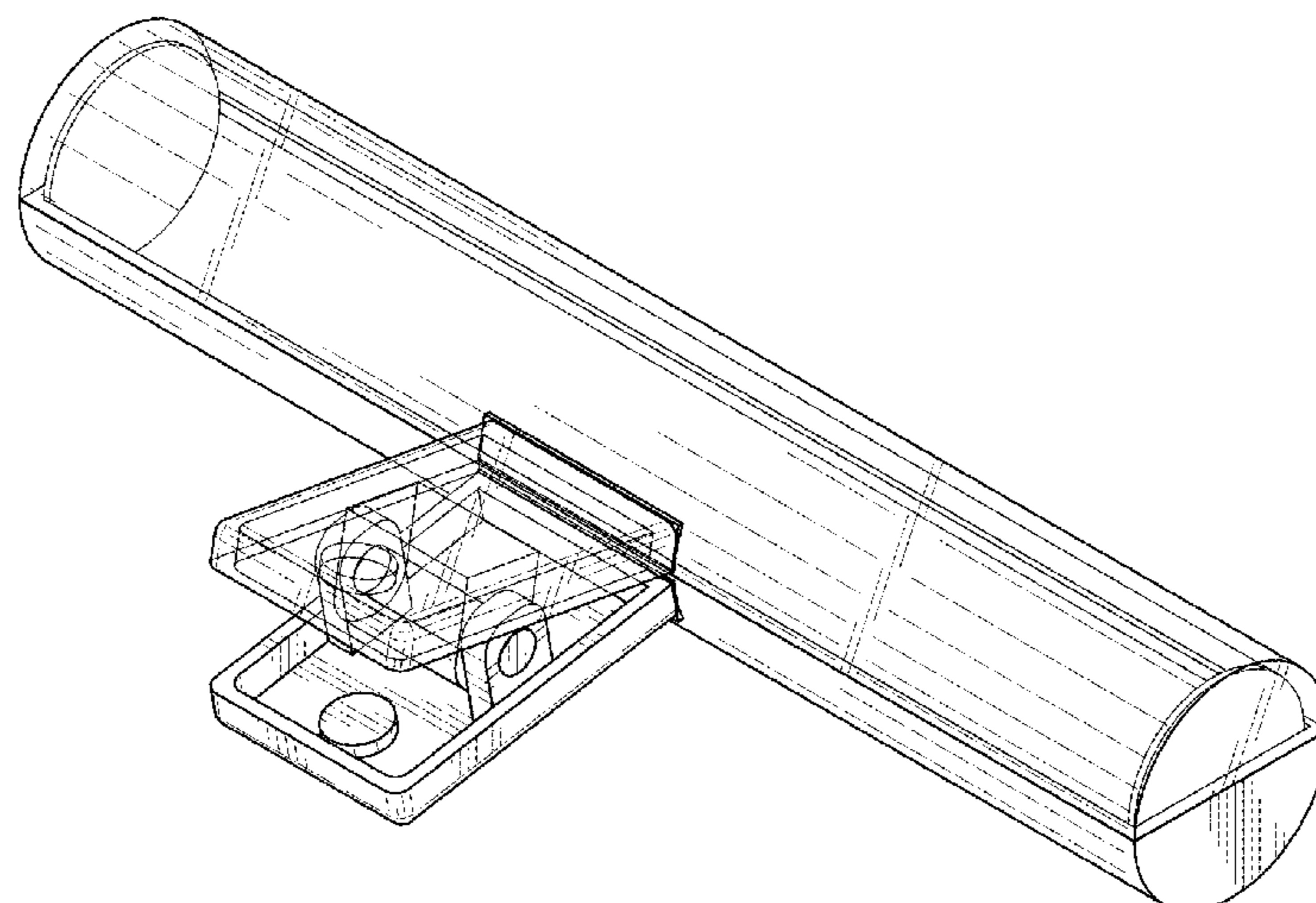
(57) **CLAIM**

The ornamental design for a device for pick-up, handling and transport of hazardous waste and related paraphernalia, as shown and described.

DESCRIPTION

FIG. 1 is a top perspective view of a device for pick-up, handling and transport of hazardous waste and related paraphernalia;
FIG. 2 is a bottom perspective view of the device;
FIG. 3 is a front view of the device;
FIG. 4 is a rear view of the device;
FIG. 5 is a left side view of the device;
FIG. 6 is a right side view of the device;
FIG. 7 is a top view of the device; and,
FIG. 8 is a bottom view of the device.

1 Claim, 6 Drawing Sheets



(56)

References Cited

U.S. PATENT DOCUMENTS

6,986,325	B1 *	1/2006	Hsu	E01H 1/1206 119/161
D561,552	S *	2/2008	Tsuchida	D8/71
7,374,215	B2 *	5/2008	Anderson	E01H 1/1206 294/1.3
7,429,212	B1 *	9/2008	Murray	B25B 5/06 452/176
D598,279	S *	8/2009	Seehoff	D8/395
D604,913	S *	11/2009	Boghozian	D30/162
7,635,153	B2 *	12/2009	Anderson	E01H 1/1206 294/1.3
D663,494	S *	7/2012	Milliff	D30/199
8,216,258	B2	7/2012	Skipper		
8,770,642	B1 *	7/2014	Jason	B25B 9/02 294/212
D756,572	S	5/2016	Baker		
9,439,398	B2 *	9/2016	Vainer	E01H 1/1206
9,624,631	B2	4/2017	Baker		
2008/0149130	A1 *	6/2008	Brown	A45D 8/34 132/279
2008/0303295	A1 *	12/2008	Moreno Fernandez De Betono	E01H 1/1206 294/1.3
2009/0261603	A1 *	10/2009	Boghozian	E01H 1/1206 294/1.3
2011/0193359	A1	8/2011	Howard		

* cited by examiner

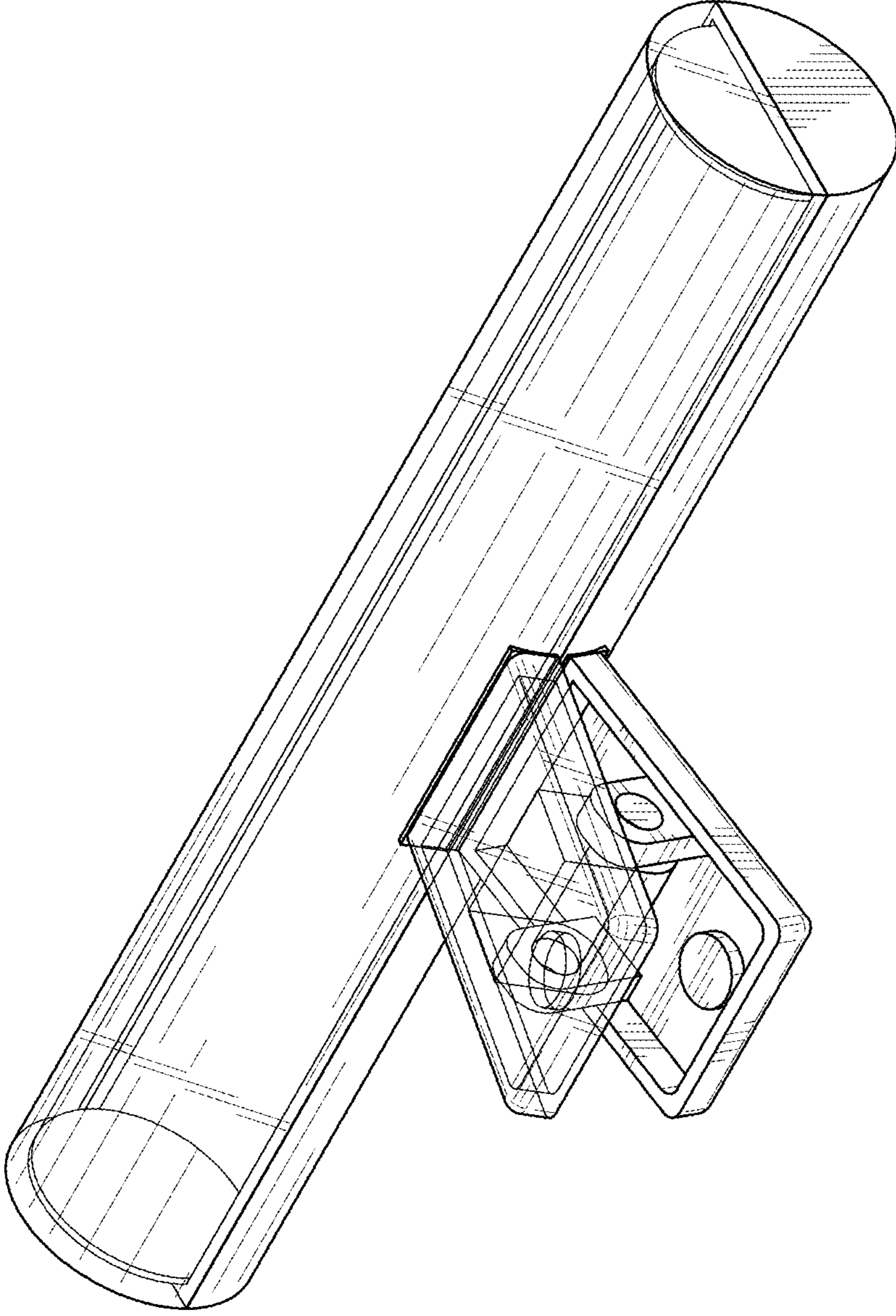


FIG. 1

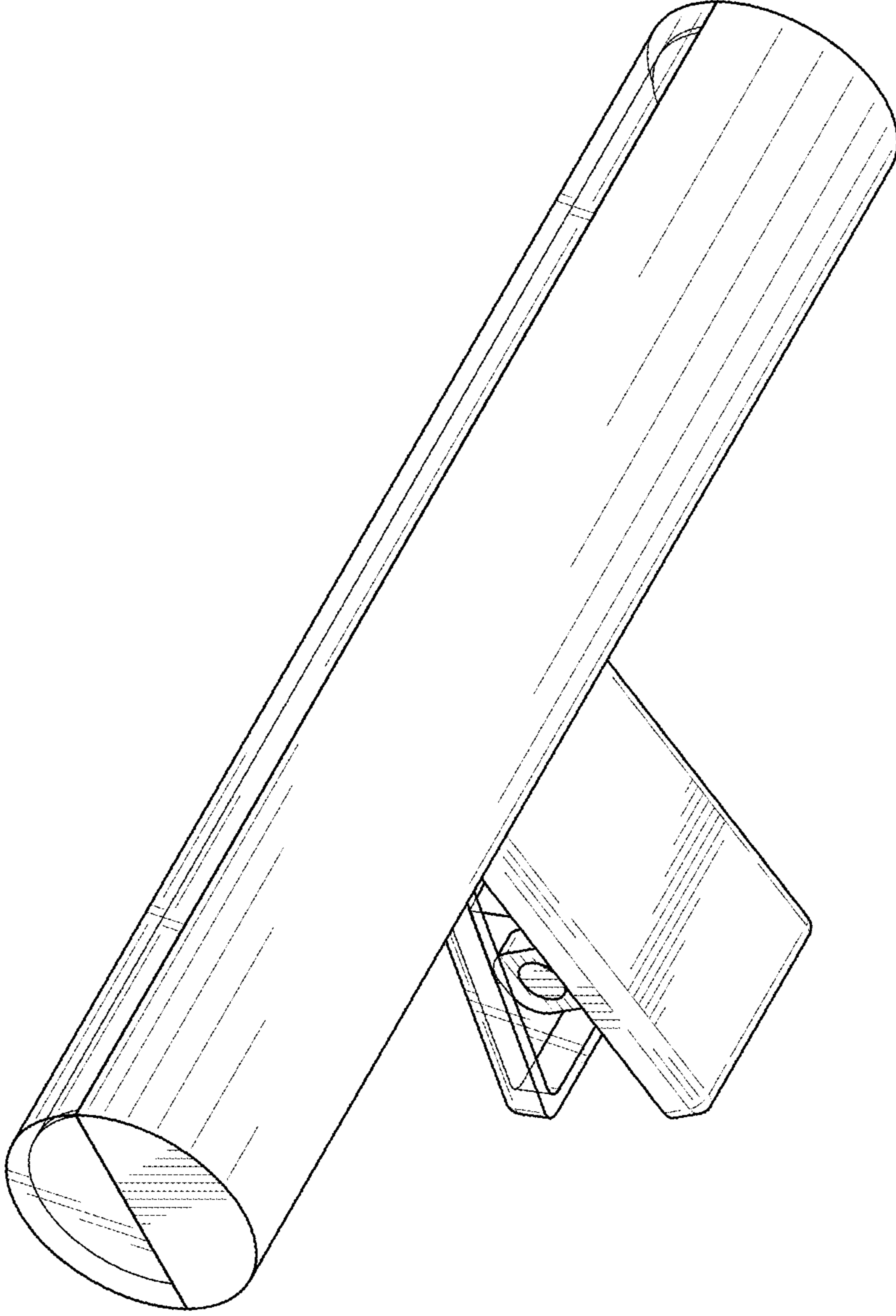


FIG. 2

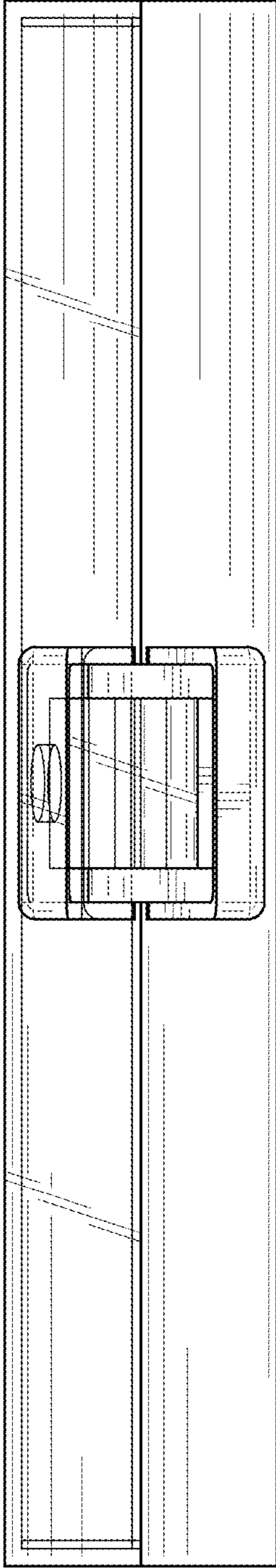


FIG. 3

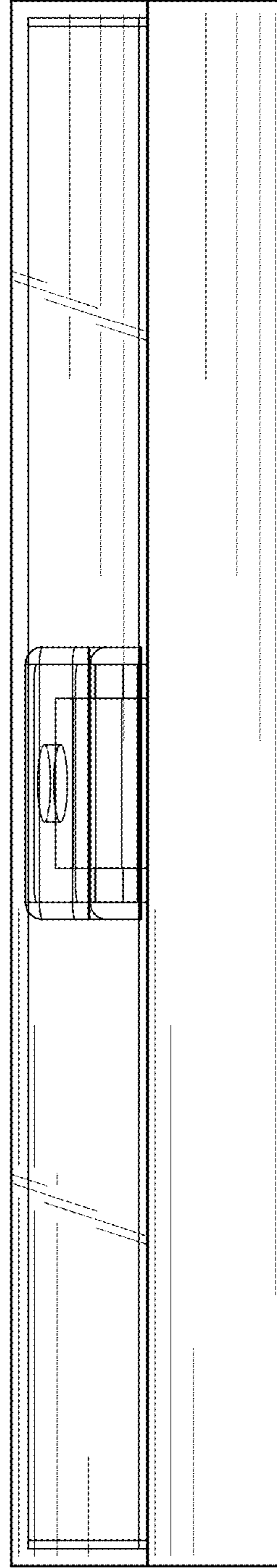


FIG. 4

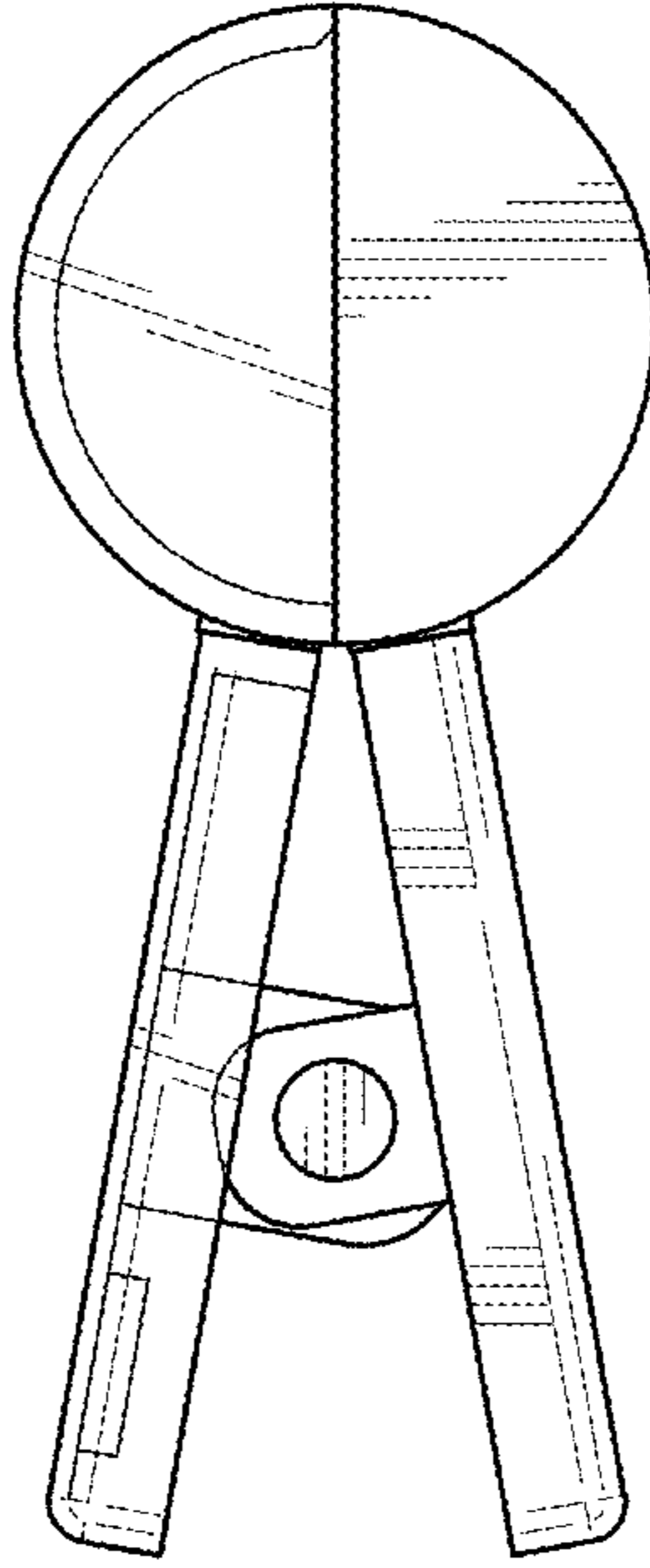


FIG. 6

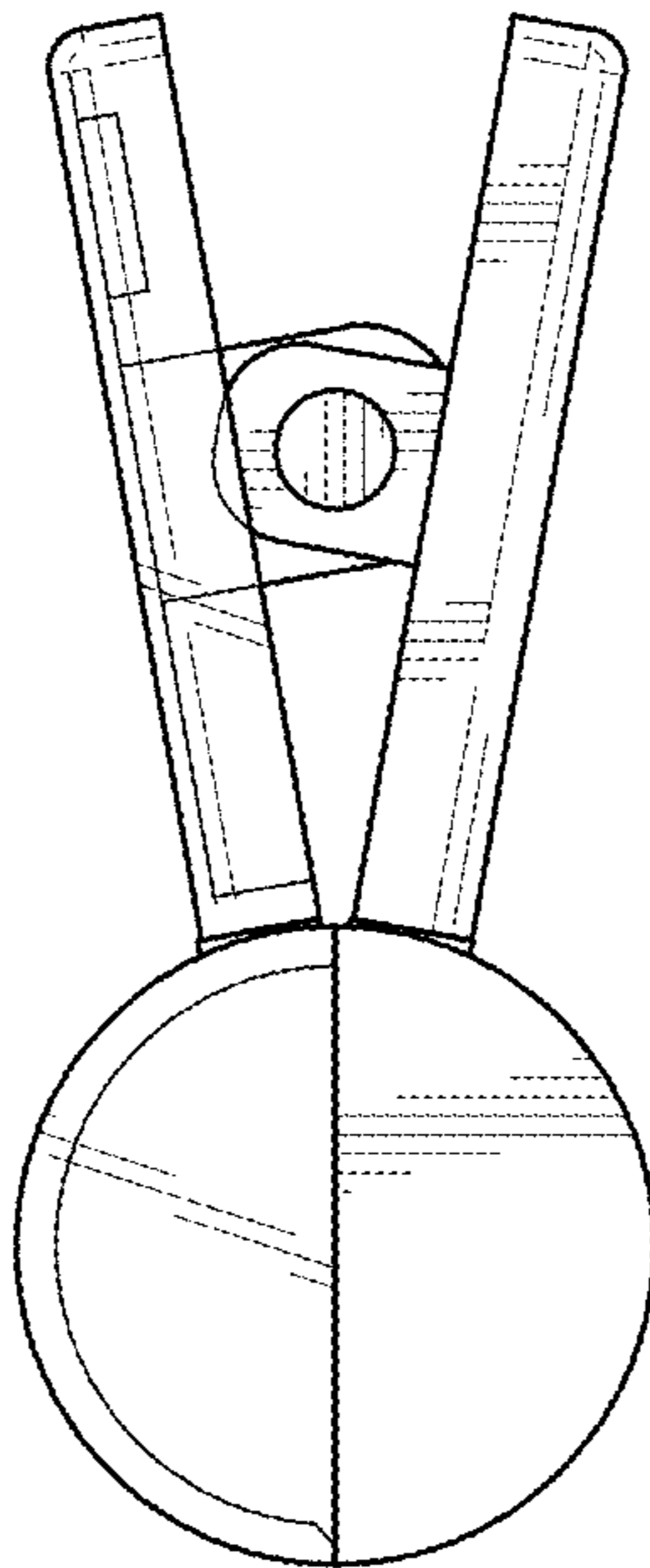


FIG. 5

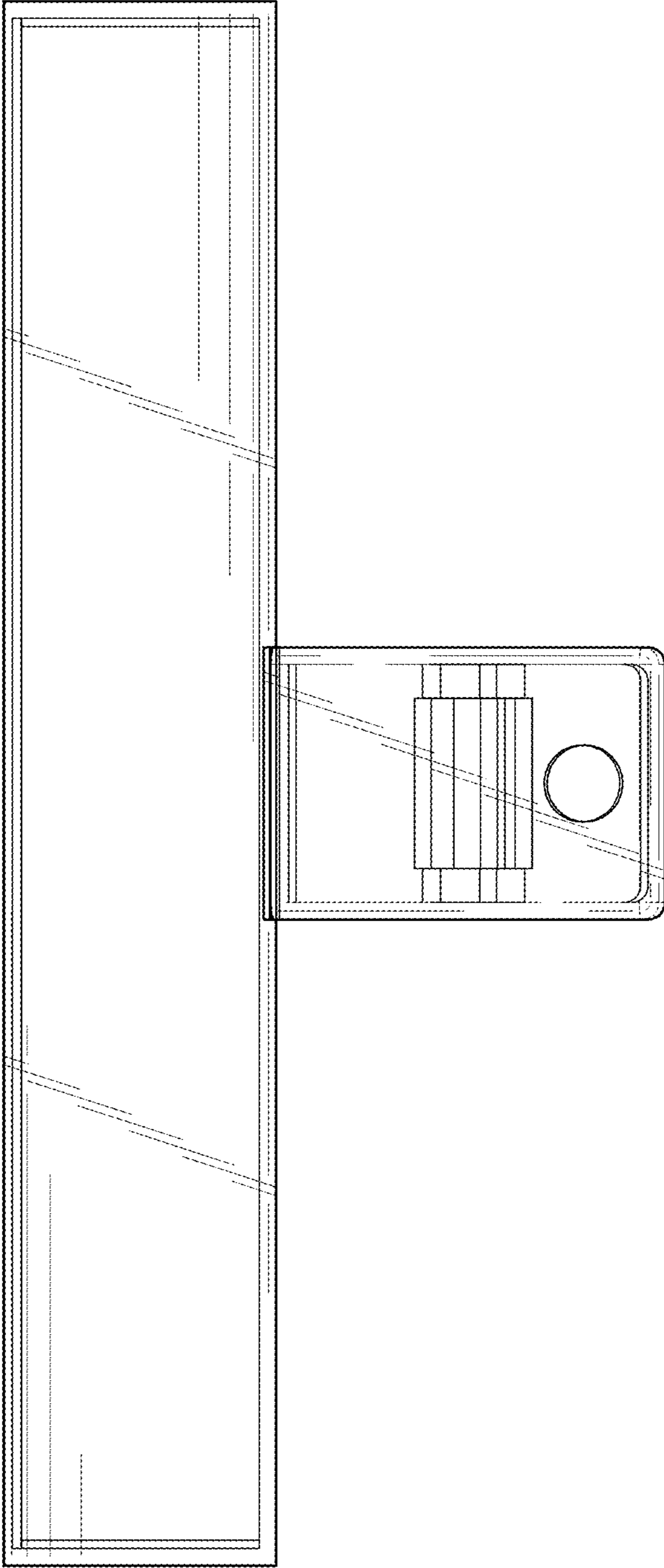


FIG. 7

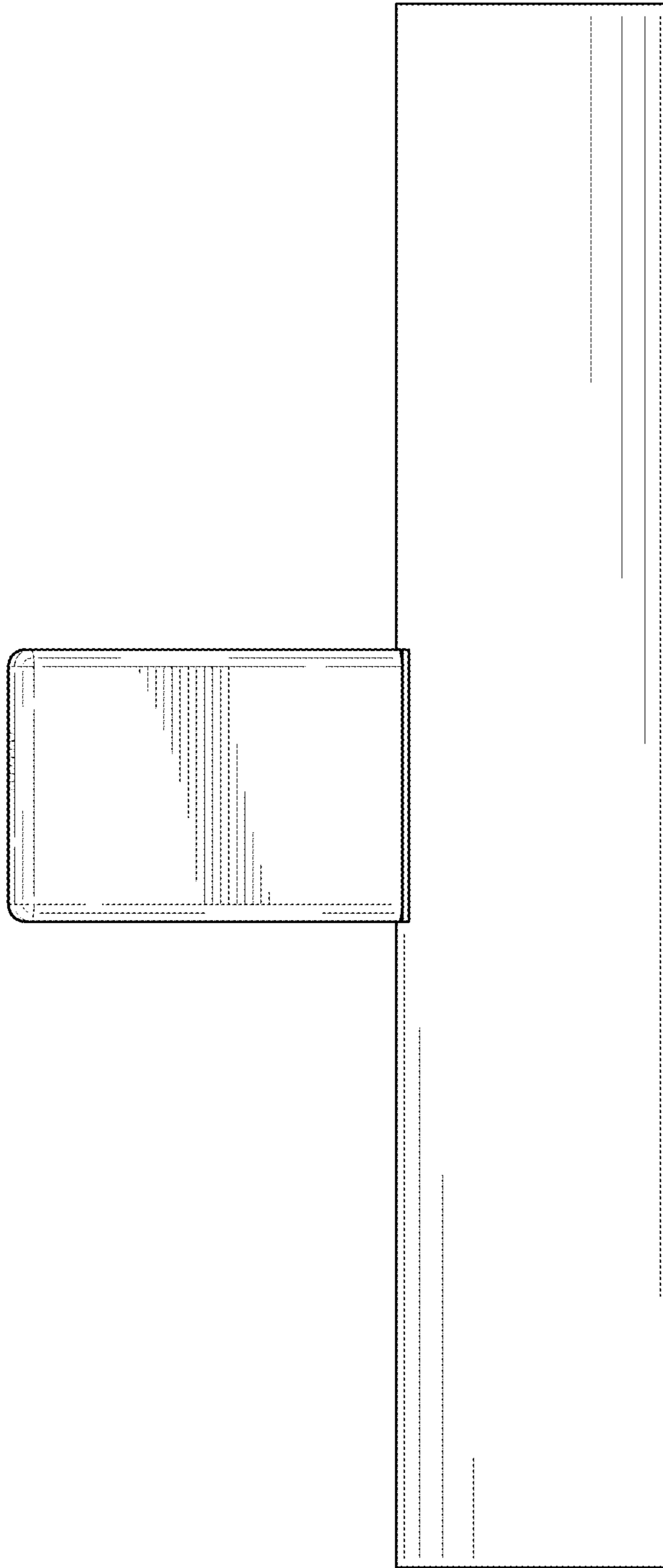


FIG. 8