



US00D875721S

(12) **United States Design Patent** (10) **Patent No.:** **US D875,721 S**
Forster (45) **Date of Patent:** **** Feb. 18, 2020**

- (54) **ANTENNA**
- (71) Applicant: **AVERY DENNISON RETAIL INFORMATION SERVICES, LLC**, Mentor, OH (US)
- (72) Inventor: **Ian J. Forster**, Chelmsford (GB)
- (73) Assignee: **AVERY DENNISON RETAIL INFORMATION SERVICES LLC**, Mentor, OH (US)
- (**) Term: **15 Years**
- (21) Appl. No.: **29/664,409**
- (22) Filed: **Sep. 25, 2018**
- (51) **LOC (12) Cl.** **14-03**
- (52) **U.S. Cl.**
USPC **D14/230**
- (58) **Field of Classification Search**
USPC D14/230, 232–236
CPC .. H01Q 1/24; H01Q 1/22; H01Q 1/38; H01Q 9/28; H01Q 1/12
See application file for complete search history.

D788,744 S *	6/2017	Forster	D14/230
D794,001 S *	8/2017	Ota	D14/230
D799,455 S *	10/2017	Forster	D14/230
D799,456 S *	10/2017	Forster	D14/230
10,141,637 B2 *	11/2018	Asakawa	H01Q 1/48
D857,673 S *	8/2019	Forster	D14/230
D857,674 S *	8/2019	Man	D14/230
2010/0134292 A1 *	6/2010	Deavours	H01Q 1/38 340/572.7

FOREIGN PATENT DOCUMENTS

CN 304117848 * 4/2017

OTHER PUBLICATIONS

Avery Dennison AD-383u7 UHF RFID Wet Inlay, atlasRFID website 2019, <https://www.atlasrfidstore.com/avery-dennison-ad-383u7-uhf-rfid-wet-inlay-nxp-ucode-7/> . . . Sep. 21, 2019 (Year: 2019).*

Avery Dennison AD-385 u8 datasheet, copyright 2018, site visited Sep. 21, 2019, <https://rfid.averydennison.com/content/dam/averydennison/rfid/Global/Documents/datasheets/Datasheet-AD-385u8.pdf> (Year: 2018).*

* cited by examiner

Primary Examiner — Lilyana Bekic
Assistant Examiner — John R Yeh

(74) *Attorney, Agent, or Firm* — Avery Dennison Retail Information Services LLC

(56) **References Cited**

U.S. PATENT DOCUMENTS

D546,821 S *	7/2007	Oliver	D14/230
D594,444 S *	6/2009	Deguchi	D14/230
D594,447 S *	6/2009	Kato	D14/230
D710,835 S *	8/2014	Forster	D14/230
D713,393 S *	9/2014	Forster	D14/230
D713,827 S *	9/2014	Forster	D14/230
D715,780 S *	10/2014	Forster	D14/230
D716,275 S *	10/2014	Forster	D14/230
D719,936 S *	12/2014	Forster	D14/230
D719,937 S *	12/2014	Forster	D14/230
D758,357 S *	6/2016	Man	D14/230
D761,235 S *	7/2016	Man	D14/230

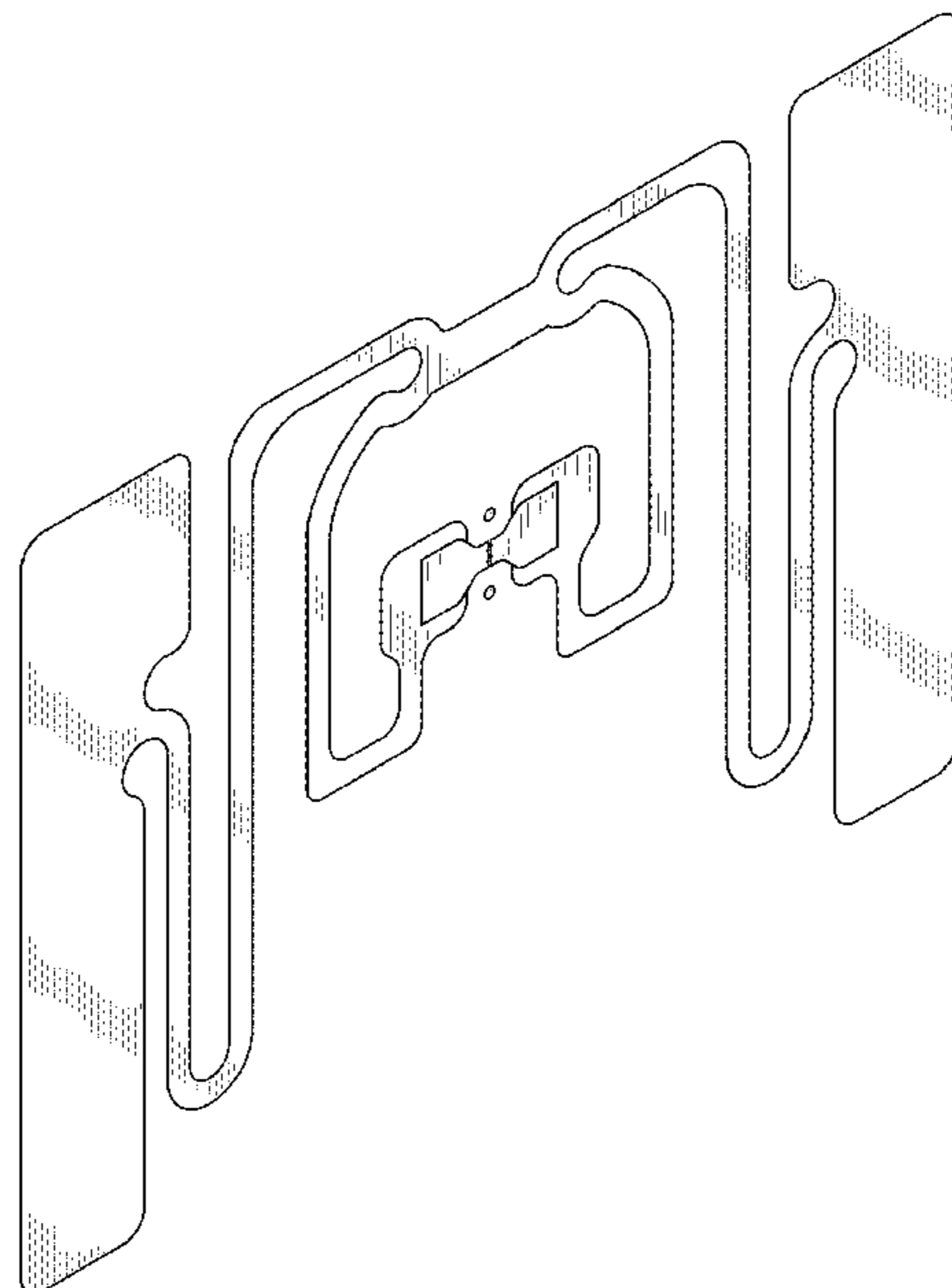
(57) **CLAIM**

The ornamental design for an antenna, as shown and described.

DESCRIPTION

FIG. 1 is an isometric view of an antenna, showing my design; and,
FIG. 2 is a front view thereof.

1 Claim, 2 Drawing Sheets



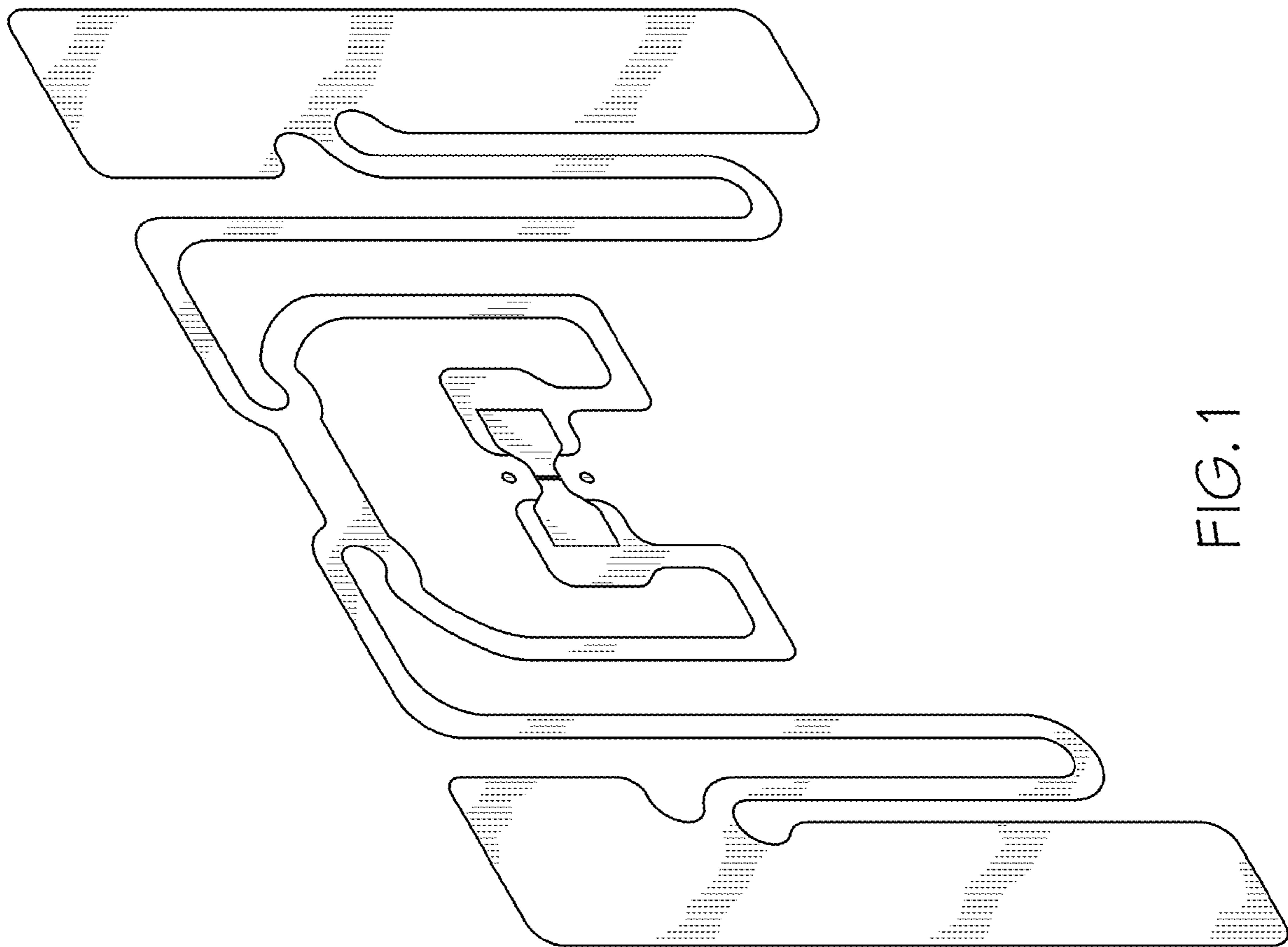


FIG. 1

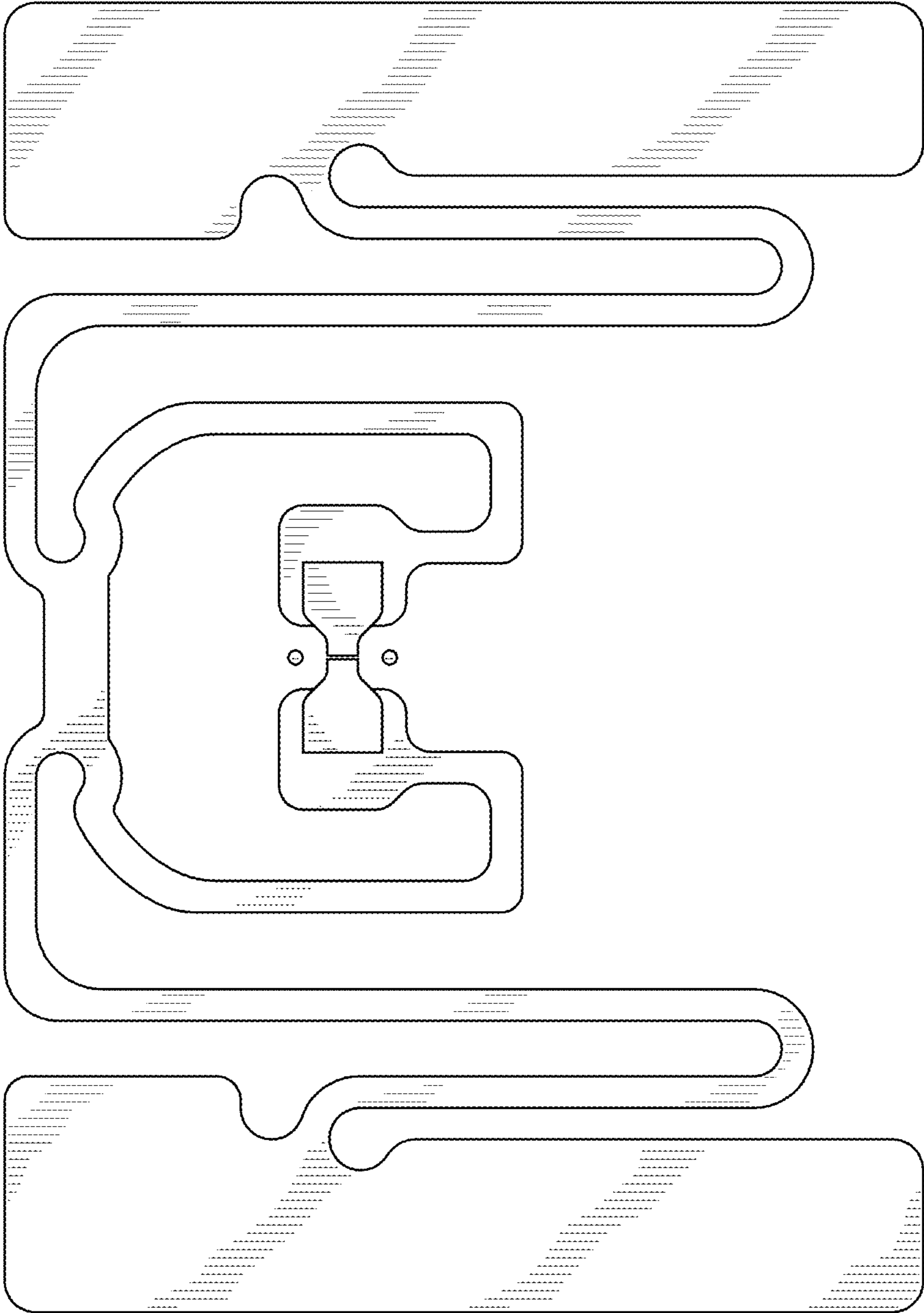


FIG. 2