



US00D875715S

(12) **United States Design Patent** (10) **Patent No.:** **US D875,715 S**  
**Cheney** (45) **Date of Patent:** **\*\* Feb. 18, 2020**

(54) **WIRELESS SPEAKER**

(56) **References Cited**

(71) Applicant: **Zagg Amplified, Inc.**, Midvale, UT (US)  
(72) Inventor: **John Craig Cheney**, Orem, UT (US)  
(73) Assignee: **ZAGG Amplified, Inc.**, Salt Lake City, UT (US)  
(\*\*) Term: **15 Years**

U.S. PATENT DOCUMENTS

D222,814 S 1/1972 Teller  
D321,515 S 11/1991 Harris  
D373,208 S 8/1996 Yuen  
D516,538 S 3/2006 Hibi  
D524,287 S 7/2006 Hibi  
D538,782 S 3/2007 Ishibashi  
(Continued)

(21) Appl. No.: **29/613,881**

OTHER PUBLICATIONS

(22) Filed: **Aug. 14, 2017**

Waterproof Bluetooth Speaker, 40W Portable Wireless Speaker & Power Bank, Amazon.com, Date first listed on Amazon: Oct. 9, 2018, [online], [site visited May 23, 2019]. URL: <https://www.amazon.com/dp/B07JVG76B7?axitk=FIHx15PN.w2I84A0d415yw> (Year: 2018).\*

**Related U.S. Application Data**

(63) Continuation of application No. 29/550,464, filed on Jan. 4, 2016, now Pat. No. Des. 794,604.

(51) **LOC (12) Cl.** ..... **14-01**

(52) **U.S. Cl.**  
USPC ..... **D14/210**; D14/204

(58) **Field of Classification Search**

USPC ..... D14/167, 168, 170-172, 188, 194-198, D14/204, 207, 209.1, 210-216, 219, 221, D14/222, 224, 496; 181/143, 144, 147, 181/148, 150, 153, 157, 198, 199; 369/6-12; 381/300-303, 306, 332-334, 381/336, 345, 361-364, 386-388  
CPC ..... B60R 11/0217; G06F 1/1688; G10K 9/22; G10K 11/004; H03F 1/327; H04M 1/03; H04M 1/035; H04N 5/642; H04N 21/4852; H04S 3/00; H04S 7/30; H04R 1/02; H04R 1/06; H04R 1/021; H04R 1/025; H04R 1/026; H04R 1/028; H04R 1/105; H04R 1/323; H04R 1/403; H04R 1/2803; H04R 1/2834; H04R 5/02; H04R 7/20; H04R 9/06; H04R 9/025; H04R 2201/021; H04R 2400/00; H04R 2400/07; H04R 2499/11; H04R 2499/13; H04R 2499/15

See application file for complete search history.

(Continued)

*Primary Examiner* — T Chase Nelson  
*Assistant Examiner* — Jonathan J. Han  
(74) *Attorney, Agent, or Firm* — Durham Jones & Pinegar; Sarah W. Matthews

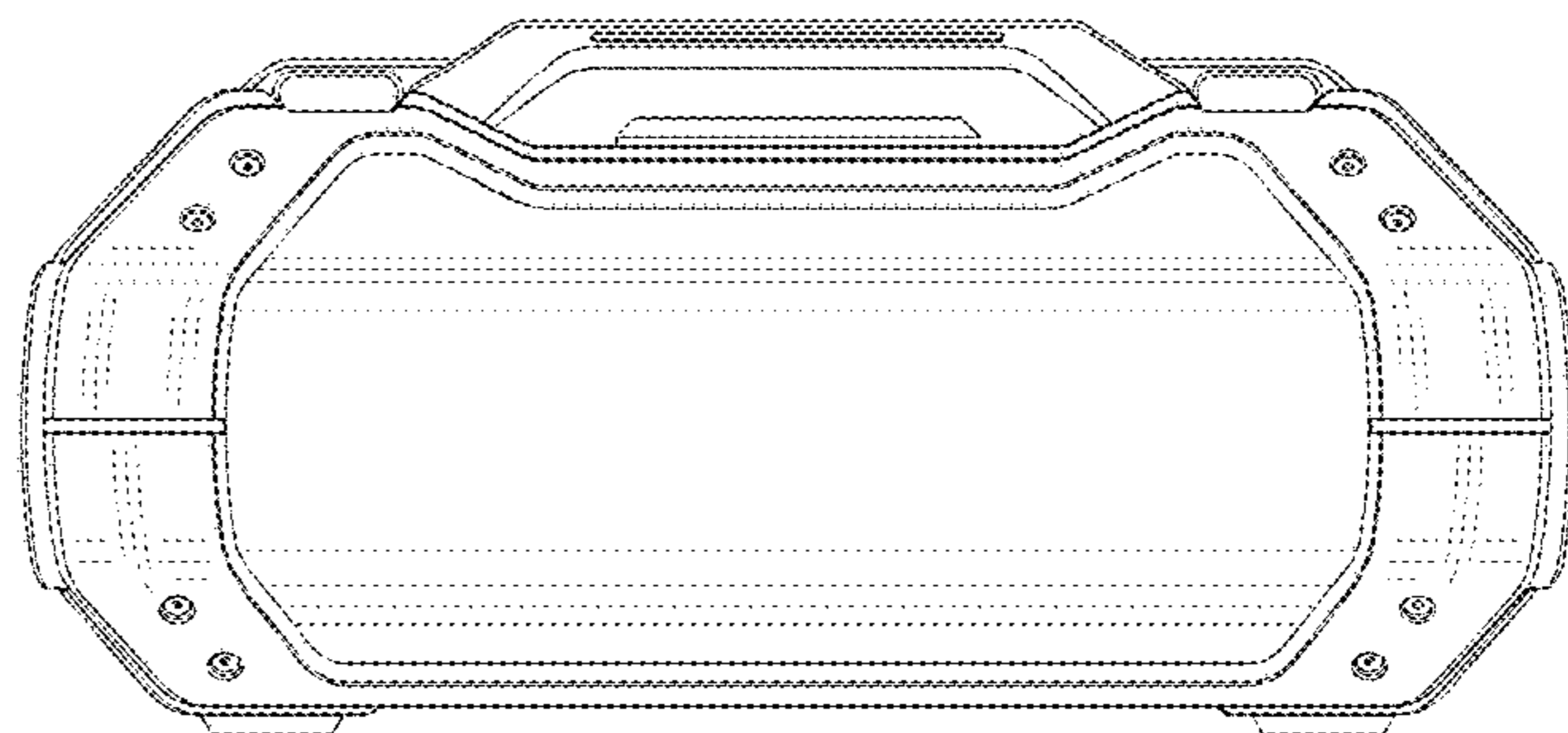
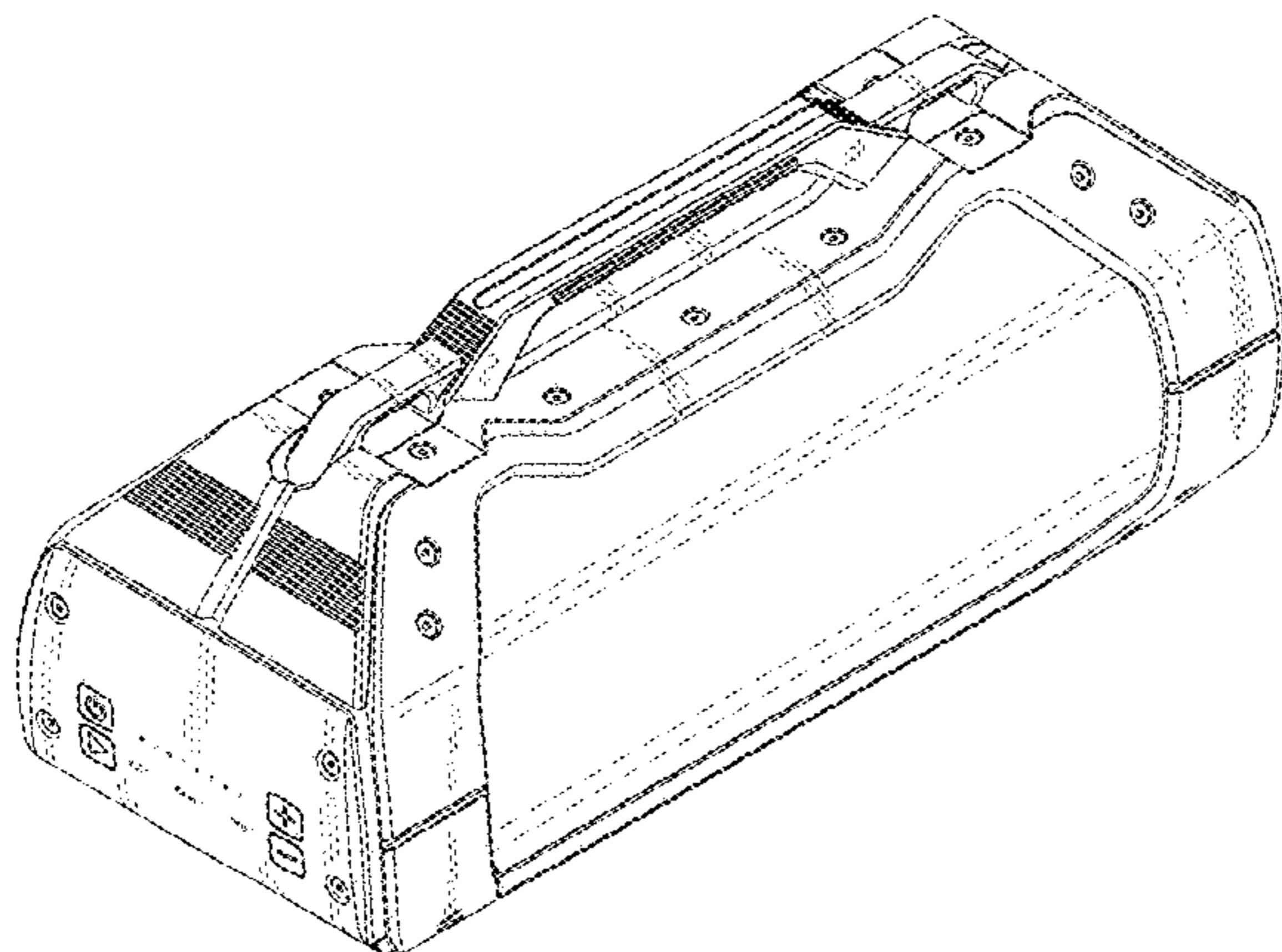
(57) **CLAIM**

The ornamental design for a wireless speaker, as shown and described.

**DESCRIPTION**

FIG. 1 is a front perspective view of a wireless speaker. FIG. 2 is a front view thereof. FIG. 3 is a rear view thereof. FIG. 4 is a left side view thereof. FIG. 5 is a right side view thereof. FIG. 6 is a top view thereof; and, FIG. 7 is a bottom view thereof. The broken lines in the drawings illustrate portions of the wireless speaker which form no part of the claimed design.

**1 Claim, 6 Drawing Sheets**



(56)

References Cited

U.S. PATENT DOCUMENTS

D552,081 S 10/2007 Yano  
 D556,737 S 12/2007 Oh  
 D594,845 S \* 6/2009 Skurdal ..... D10/2  
 D609,216 S \* 2/2010 Davies ..... D14/214  
 D619,116 S \* 7/2010 Skurdal ..... D10/2  
 D636,332 S 4/2011 Hsu  
 D638,400 S 5/2011 Hawkins  
 D642,156 S \* 7/2011 Joseph ..... D14/209.1  
 D642,555 S \* 8/2011 Hawkins ..... D14/214  
 D653,652 S 2/2012 Kroyer  
 D670,677 S 11/2012 Pfeifer  
 D676,830 S 2/2013 Garrett  
 D677,244 S \* 3/2013 Funayama ..... D14/209.1  
 D718,741 S \* 12/2014 Lui ..... D14/216  
 D726,142 S 4/2015 Itoh et al.  
 D726,685 S 4/2015 Cheng  
 D727,874 S \* 4/2015 Christner ..... D14/210  
 D734,738 S \* 7/2015 Jackson ..... D14/214  
 D735,168 S \* 7/2015 Cheng ..... D14/209.1  
 D736,746 S 8/2015 Cheng et al.  
 D743,936 S 11/2015 Cloarec et al.  
 D752,558 S \* 3/2016 Cheng ..... D14/217  
 D753,093 S 4/2016 Garfio et al.  
 D755,754 S 5/2016 Schwartz  
 D771,592 S 11/2016 Cloarec et al.  
 D772,093 S \* 11/2016 Kruska ..... D10/119.1  
 D777,147 S \* 1/2017 Cheng ..... D14/209.1  
 D789,329 S \* 6/2017 Tse ..... D14/204  
 D793,993 S \* 8/2017 Song ..... D14/214  
 D794,604 S \* 8/2017 Cheney ..... D14/204  
 D803,189 S \* 11/2017 Cheney ..... D14/214  
 D807,324 S \* 1/2018 Cheney ..... D14/214  
 9,883,265 B2 \* 1/2018 Cheney ..... H04R 1/02  
 D812,591 S \* 3/2018 Hu ..... D14/214  
 D817,925 S \* 5/2018 Jang ..... D14/214  
 D821,358 S \* 6/2018 Garfio ..... D14/214  
 D822,000 S \* 7/2018 Lin ..... D14/214  
 D822,634 S \* 7/2018 Zaihui ..... D14/204

D831,002 S \* 10/2018 Distefano ..... D14/216  
 D835,601 S \* 12/2018 Cheney ..... D14/204  
 D836,603 S \* 12/2018 Warden ..... D14/214  
 D838,686 S \* 1/2019 Cheney ..... D14/204  
 D840,966 S \* 2/2019 Cheney ..... D14/204  
 D843,966 S \* 3/2019 Cheney ..... D14/204  
 2016/0198247 A1 \* 7/2016 Cheney ..... H04R 1/02  
 381/334

OTHER PUBLICATIONS

Volkano X Supersonic Series Bluetooth Speaker—Black, Takealot.com, [online], [site visited May 23, 2019]. URL: <https://www.takealot.com/volkano-x-supersonic-series-bluetooth-speaker-black/PLID49300167> (Year: 2019).\*

iDeaPlay Waterproof wireless Bluetooth Action series speaker & powerbank, IntelliShopper.com, [online], [site visited May 23, 2019]. URL: <https://intellishoppers.com/product/ideaplay-waterproof-wireless-bluetooth-action-series-speaker-powerbank/> (Year: 2019).\*

Wharfedale Wireless Bluetooth Speakers 5000mAh Battery Power Bank Outdoor Portable IPX7 Waterproof Speaker, Amazon.com, Date first listed on Amazon: Nov. 15, 2018, [online], [site visited May 23, 2019]. URL: [https://www.amazon.com/dp/B07KKBY68M/ref=sspa\\_dk\\_detail\\_1?psc=1](https://www.amazon.com/dp/B07KKBY68M/ref=sspa_dk_detail_1?psc=1) (Year: 2018).\*

Jesse Hollington, “Braven intros new speakers at CES, including the BRV-XXL and BRV-BLADE LE,” <http://www.ilounge.com/index.php/news/comments/braven-intros-new-speakers-at-ces-including-the-brv-xxl-and-brv-blade-le>.

Lounge—Braven BRV-XXL, [site visited by examiner Mar. 31, 2017]. Available from URL: <http://www.ilounge.com/index.php/reviews/entry/braven-brv-xxl-bluetoothspeaker>.

Android Spin—Braven BRV-X, [site visited by examiner Mar. 31, 2017]. Available from URL: <http://www.androidspin.com/2015/07/08/braven-brv-x-a-must-have-summer-bluetooth-speaker-essential-review/>.

Sound Guys—Braven BRV-X, [site visited by examiner Mar. 31, 2017]. Available from URL: <http://www.soundguys.com/braven-bry-x-review-834/>.

\* cited by examiner



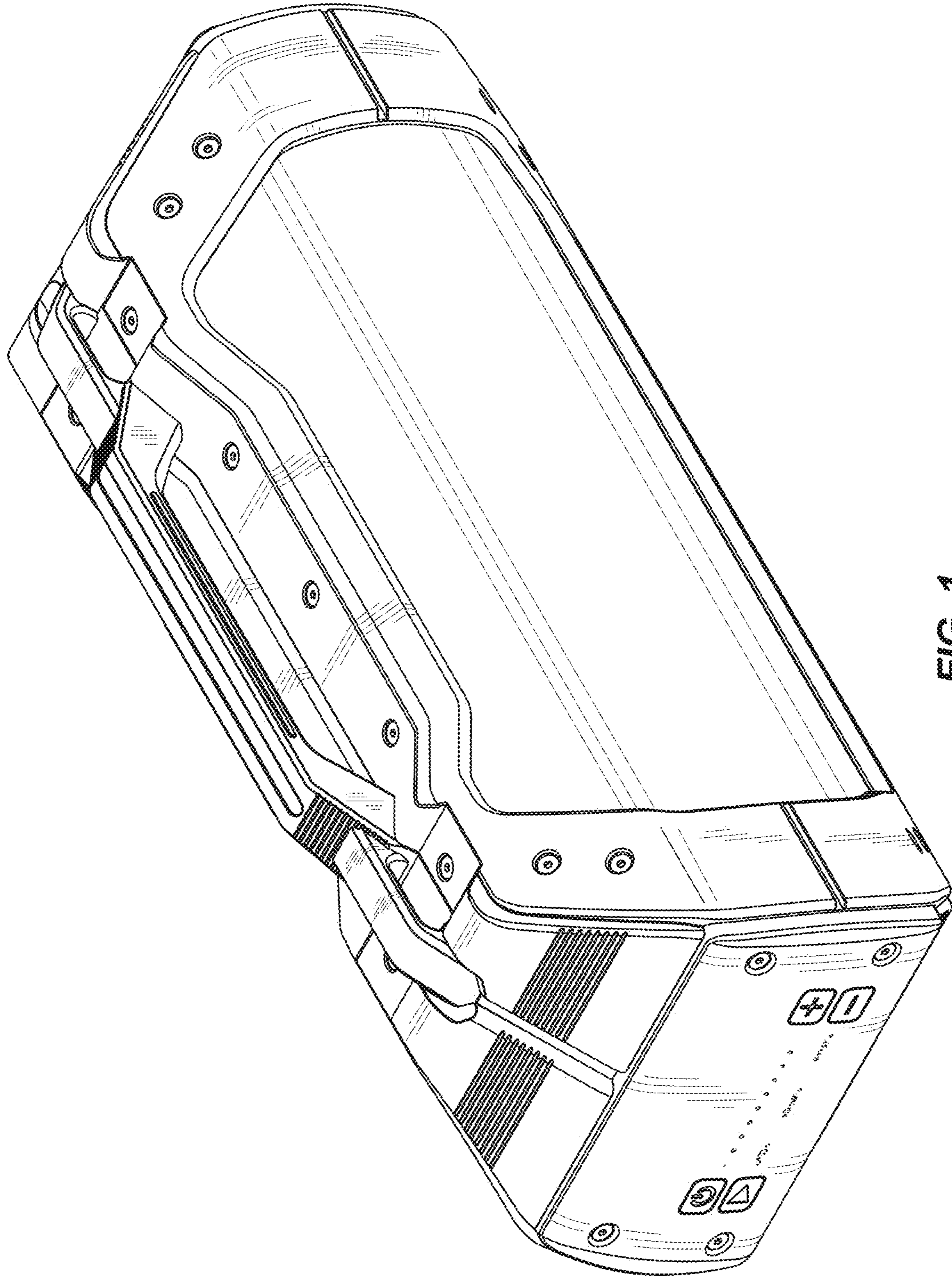


FIG. 1

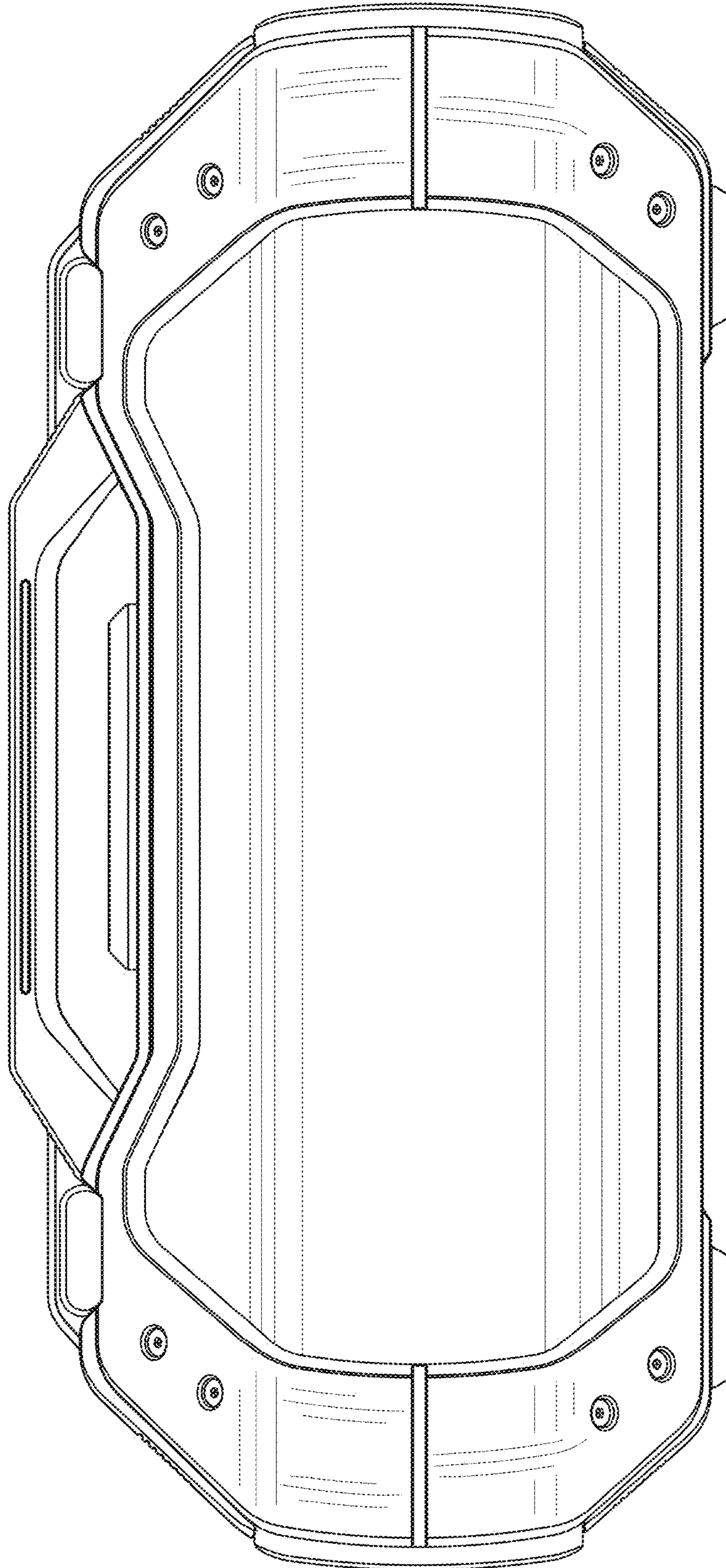


FIG. 2

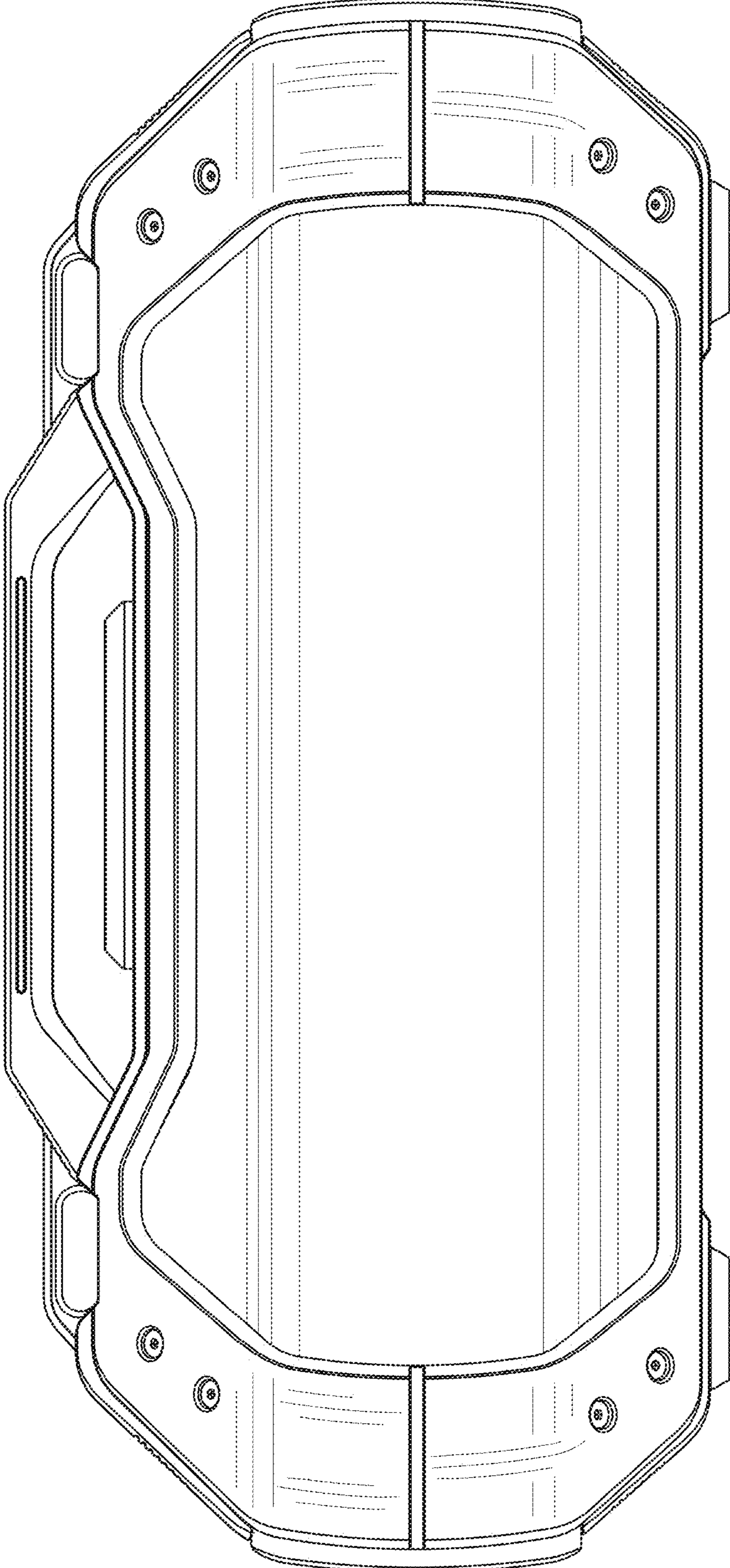


FIG. 3



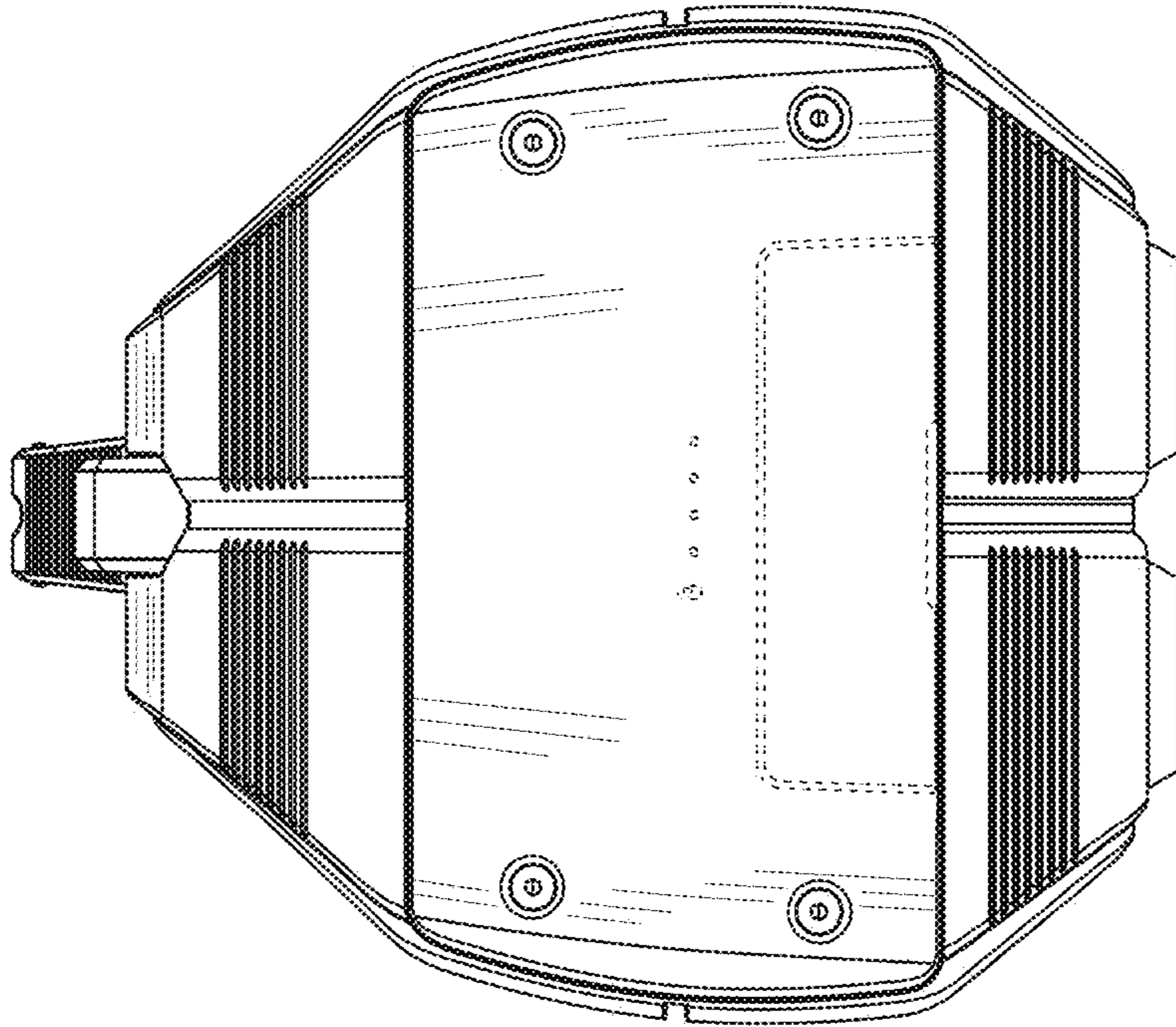


FIG. 4

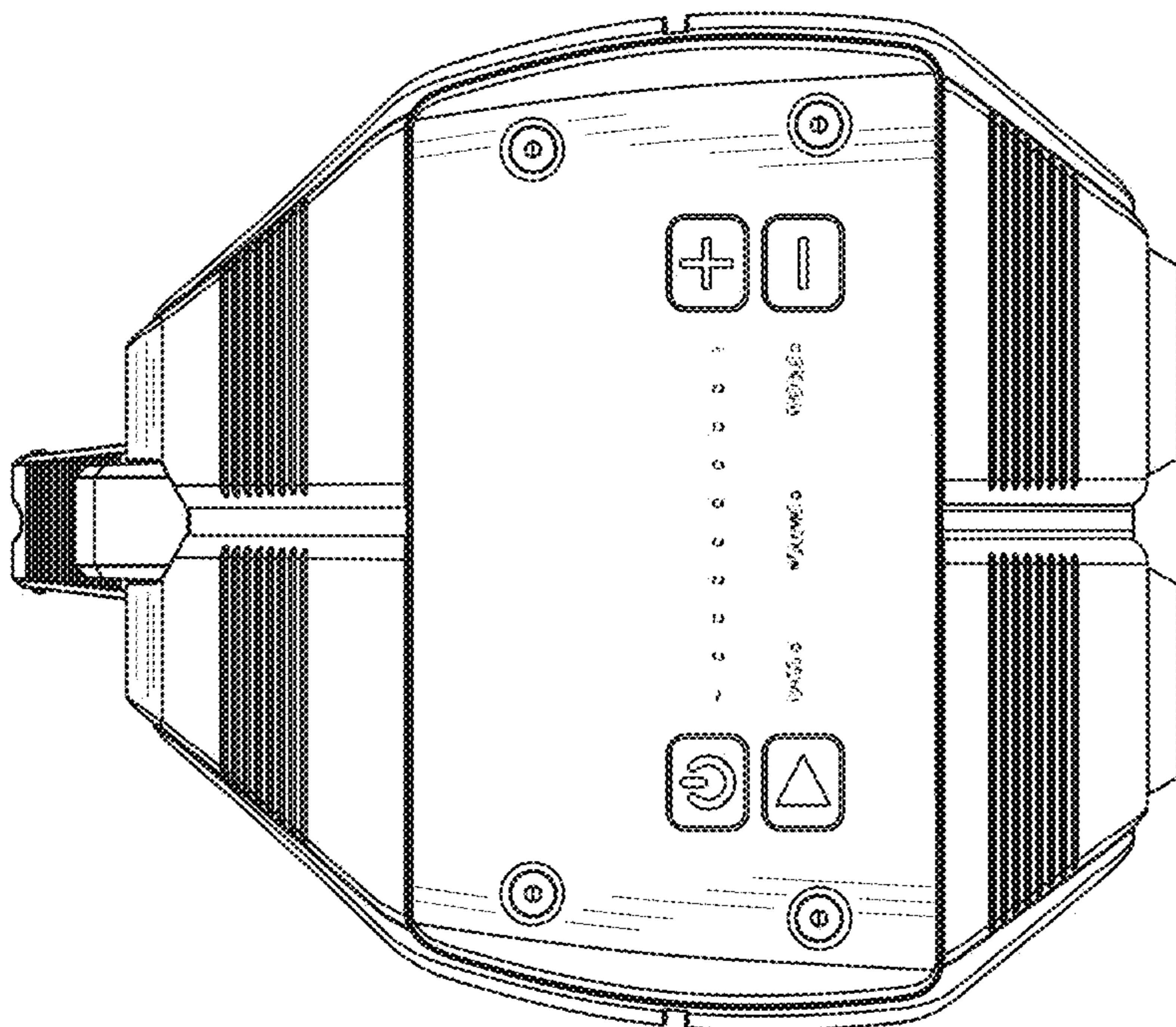


FIG. 5

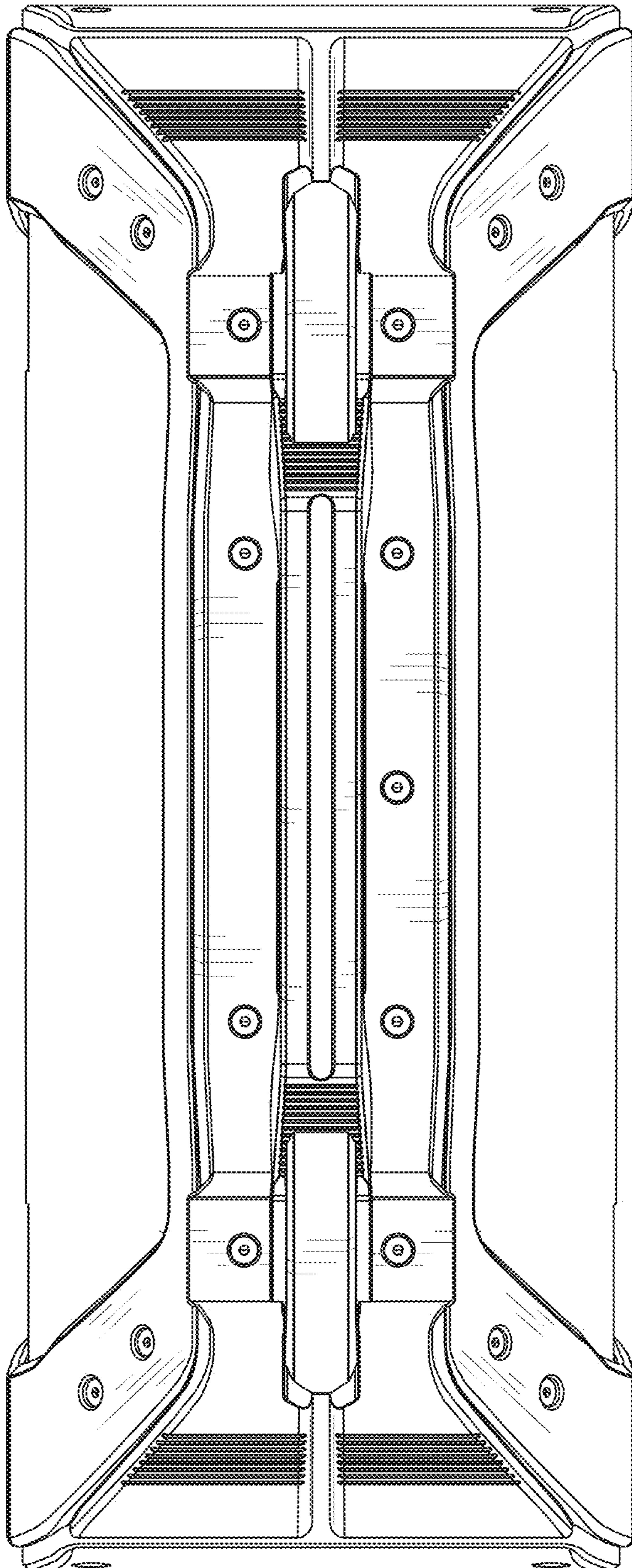


FIG. 6



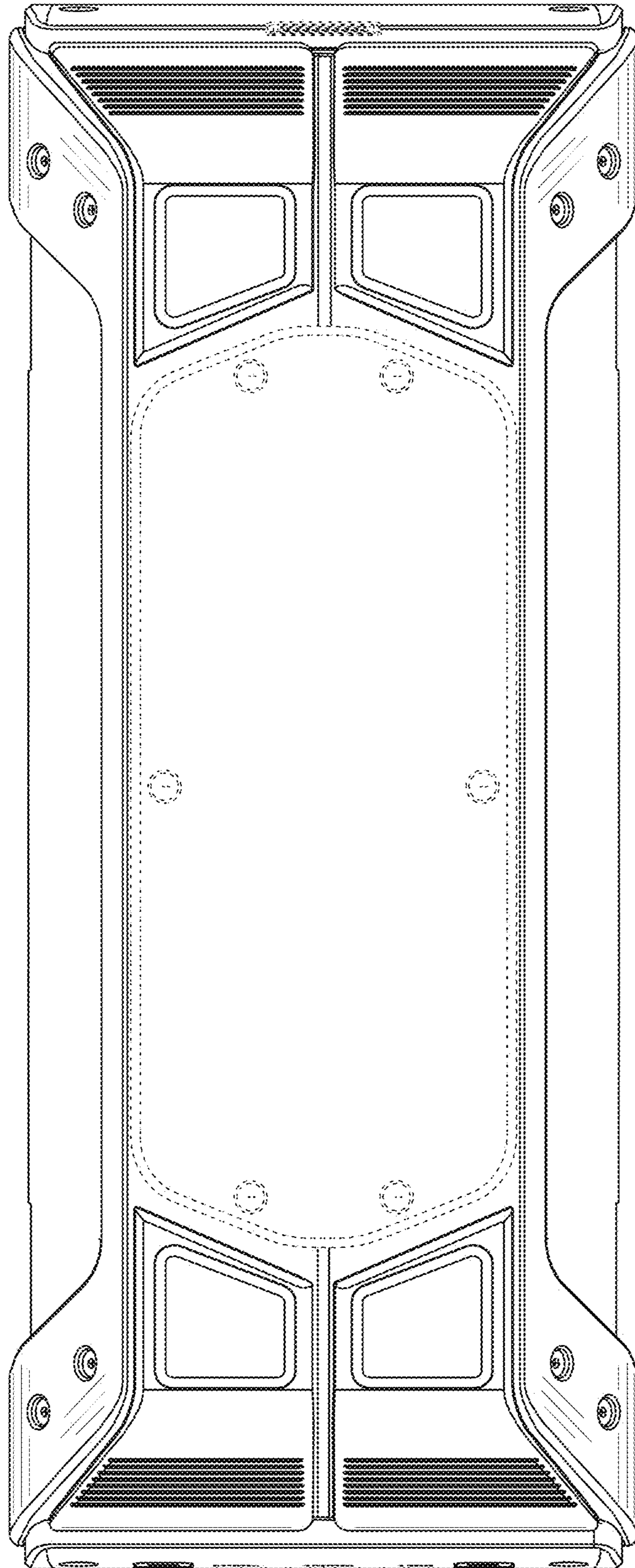


FIG. 7