



US00D875711S

(12) **United States Design Patent**
Long

(10) **Patent No.:** **US D875,711 S**
(45) **Date of Patent:** **** Feb. 18, 2020**

(54) **EARPHONE**

(71) Applicant: **Dongguan City YongSheng electronics CO., LTD., Dongguan (CN)**

(72) Inventor: **Fei Long, Dongguan (CN)**

(73) Assignee: **Dongguan City YongSheng electronics CO., LTD., Dongguan (CN)**

(**) Term: **15 Years**

(21) Appl. No.: **29/668,498**

(22) Filed: **Oct. 31, 2018**

(51) **LOC (12) Cl.** **14-01**

(52) **U.S. Cl.**
USPC **D14/205**

(58) **Field of Classification Search**
USPC D14/205, 206, 226, 372; D29/112;
2/209; 181/129, 130, 135; 379/430, 431;
381/380, 381, 374; 455/90.3, 575.1,
455/569.1

CPC H04R 25/00; H04R 1/1066; H04R 1/1016;
H04R 5/033; H04R 5/0335; H04R
1/1091; H04R 1/1058; G02B 27/017
See application file for complete search history.

(56) **References Cited**

U.S. PATENT DOCUMENTS

| | | | |
|--------------|---------|------------------|---------|
| D512,708 S * | 12/2005 | Harris, Jr. | D14/205 |
| D566,688 S * | 4/2008 | Wang | D14/206 |
| D573,581 S * | 7/2008 | Gondo | D14/205 |
| D584,715 S * | 1/2009 | Brennwald | D14/205 |
| D592,639 S * | 5/2009 | Kuh | D14/205 |
| D594,847 S * | 6/2009 | Suzuki | D14/205 |
| D613,266 S * | 4/2010 | Barry | D14/205 |
| D617,771 S * | 6/2010 | Groves | D14/205 |
| D635,958 S * | 4/2011 | Ando | D14/205 |
| D638,397 S * | 5/2011 | McManigal | D14/205 |
| D641,727 S * | 7/2011 | Krauss | D14/206 |
| D651,586 S * | 1/2012 | Lee | D14/205 |

| | | | |
|--------------|---------|-----------------|------------------------|
| D652,017 S * | 1/2012 | Groves | D14/206 |
| D672,745 S * | 12/2012 | Abed | D14/205 |
| D673,519 S * | 1/2013 | Tan | D14/205 |
| D691,111 S * | 10/2013 | Lee | D14/206 |
| D706,244 S * | 6/2014 | Goransson | D14/225 |
| D707,200 S * | 6/2014 | Yang | H04R 1/1066 D14/205 |
| D713,375 S * | 9/2014 | Dedinas | D14/206 |
| D729,196 S * | 5/2015 | Liu | D14/205 |
| D740,256 S * | 10/2015 | Carr | D14/206 |
| D741,286 S * | 10/2015 | Brennwald | D14/205 |
| D766,207 S * | 9/2016 | Paterson | D14/205 |
| D766,208 S * | 9/2016 | Paterson | D14/205 |

(Continued)

FOREIGN PATENT DOCUMENTS

CN 303190057 * 4/2015

Primary Examiner — Paula Allen Greene

(74) *Attorney, Agent, or Firm* — ScienBiziP, P.C.

(57) **CLAIM**

The ornamental design for an earphone, as shown and described.

DESCRIPTION

FIG. 1 is a first perspective view of an earphone, showing my design.

FIG. 2 is a second perspective view of the earphone.

FIG. 3 is a front elevation view of the earphone.

FIG. 4 is a rear elevation view of the earphone.

FIG. 5 is a left side elevation view of the earphone.

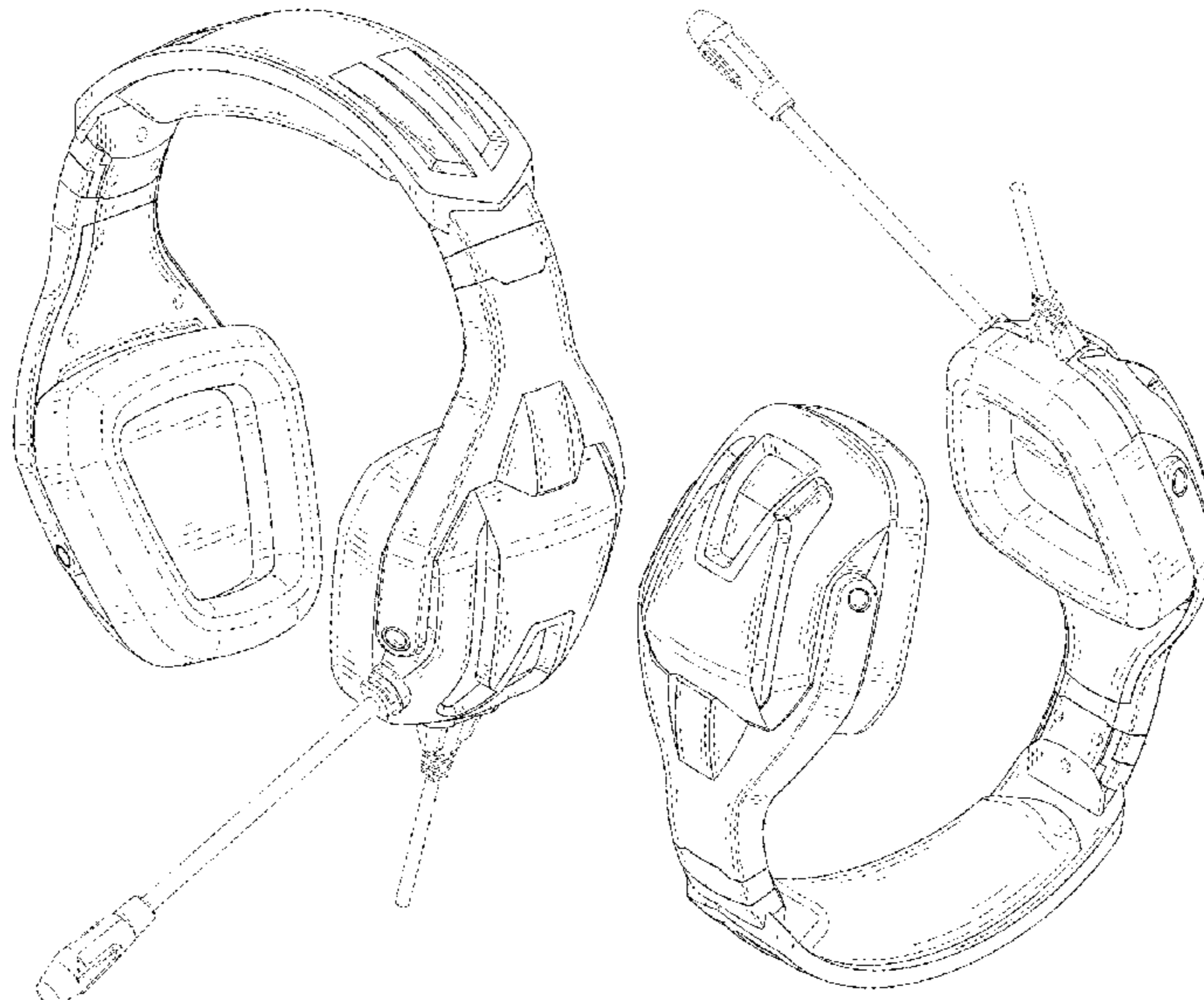
FIG. 6 is a right side elevation view of the earphone.

FIG. 7 is a top plan view of the earphone; and,

FIG. 8 is a bottom plan view of the earphone.

The broken lines immediately adjacent the surface shading represents the bounds of the claimed design while all other broken lines are directed to environment and are for illustrative purposes only; the broken lines form no part of the claimed design.

1 Claim, 8 Drawing Sheets



(56)

References Cited

U.S. PATENT DOCUMENTS

| | | | | | | |
|--------------|----|---|---------|----------|-------|-------------|
| D778,258 | S | * | 2/2017 | Hsu | | D14/205 |
| D787,470 | S | * | 5/2017 | Kelly | | D14/205 |
| D788,071 | S | * | 5/2017 | Logan | | D14/205 |
| D790,506 | S | * | 6/2017 | Broadley | | D14/206 |
| D800,092 | S | * | 10/2017 | Paterson | | D14/206 |
| D814,439 | S | * | 4/2018 | Birath | | D14/205 |
| D815,614 | S | * | 4/2018 | Tzeng | | D14/205 |
| D820,813 | S | * | 6/2018 | Sharp | | D14/206 |
| D824,362 | S | * | 7/2018 | Probst | | D14/206 |
| D826,900 | S | * | 8/2018 | Jensen | | D14/206 |
| D831,000 | S | * | 10/2018 | Chong | | D14/206 |
| D836,600 | S | * | 12/2018 | Lee | | D14/206 |
| D840,977 | S | * | 2/2019 | Pu | | D14/206 |
| D841,620 | S | * | 2/2019 | Liu | | D14/206 |
| D843,348 | S | * | 3/2019 | Burgess | | D14/206 |
| D848,973 | S | * | 5/2019 | Karacal | | D14/205 |
| D851,063 | S | * | 6/2019 | Deng | | D14/206 |
| D853,988 | S | * | 7/2019 | Wang | | D14/206 |
| D856,969 | S | * | 8/2019 | Tang | | D14/206 |
| D856,970 | S | * | 8/2019 | Tang | | D14/206 |
| D856,971 | S | * | 8/2019 | Tang | | D14/206 |
| D857,656 | S | * | 8/2019 | Ipsen | | D14/206 |
| D857,657 | S | * | 8/2019 | Skinner | | D14/206 |
| D859,355 | S | * | 9/2019 | Hu | | D14/205 |
| D864,157 | S | * | 10/2019 | Hu | | D14/206 |
| D864,903 | S | * | 10/2019 | Liu | | D14/206 |
| D866,515 | S | * | 11/2019 | Long | | D14/206 |
| 2017/0019728 | A1 | * | 1/2017 | Cochran | | H04R 5/0335 |

* cited by examiner

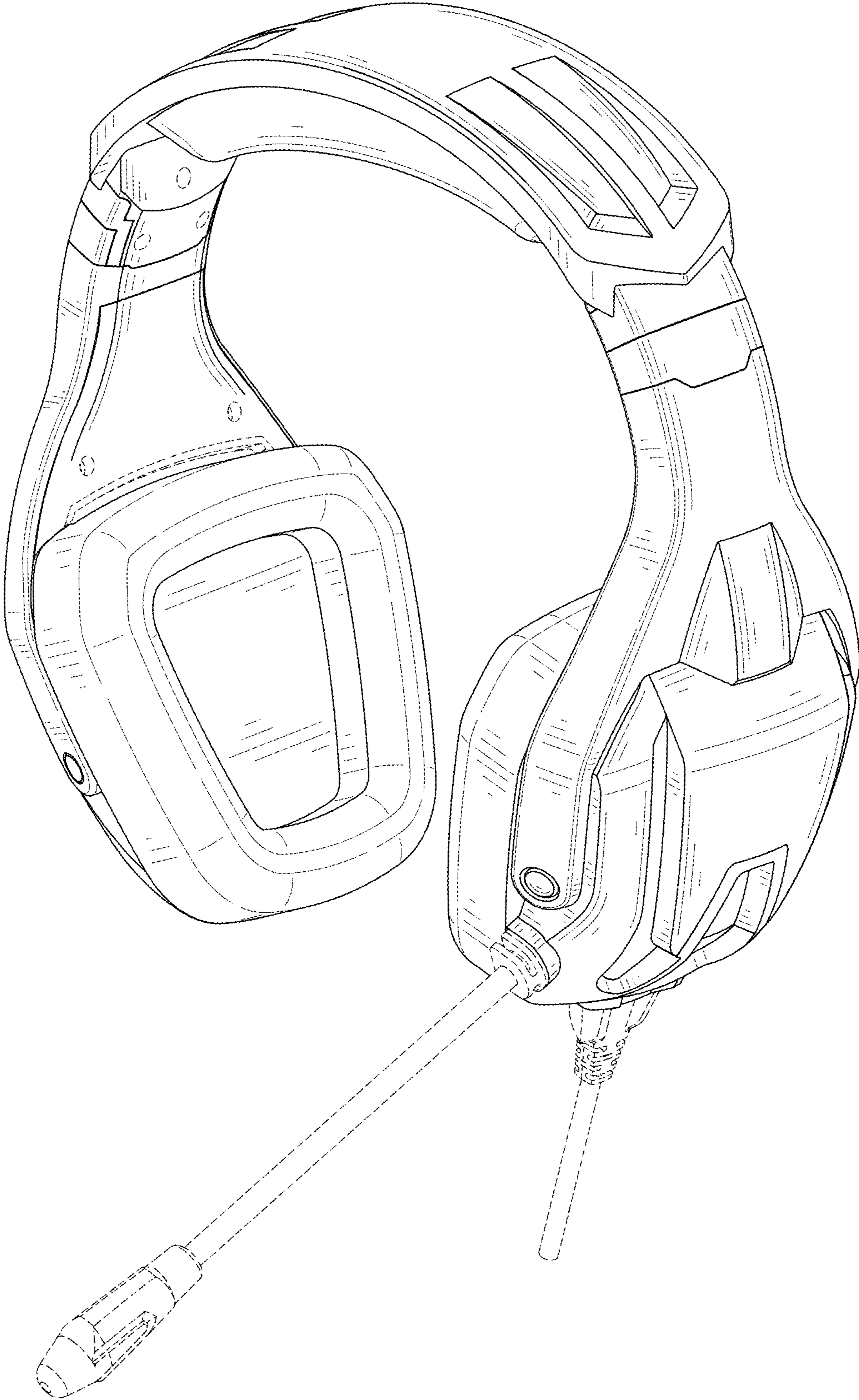


FIG. 1

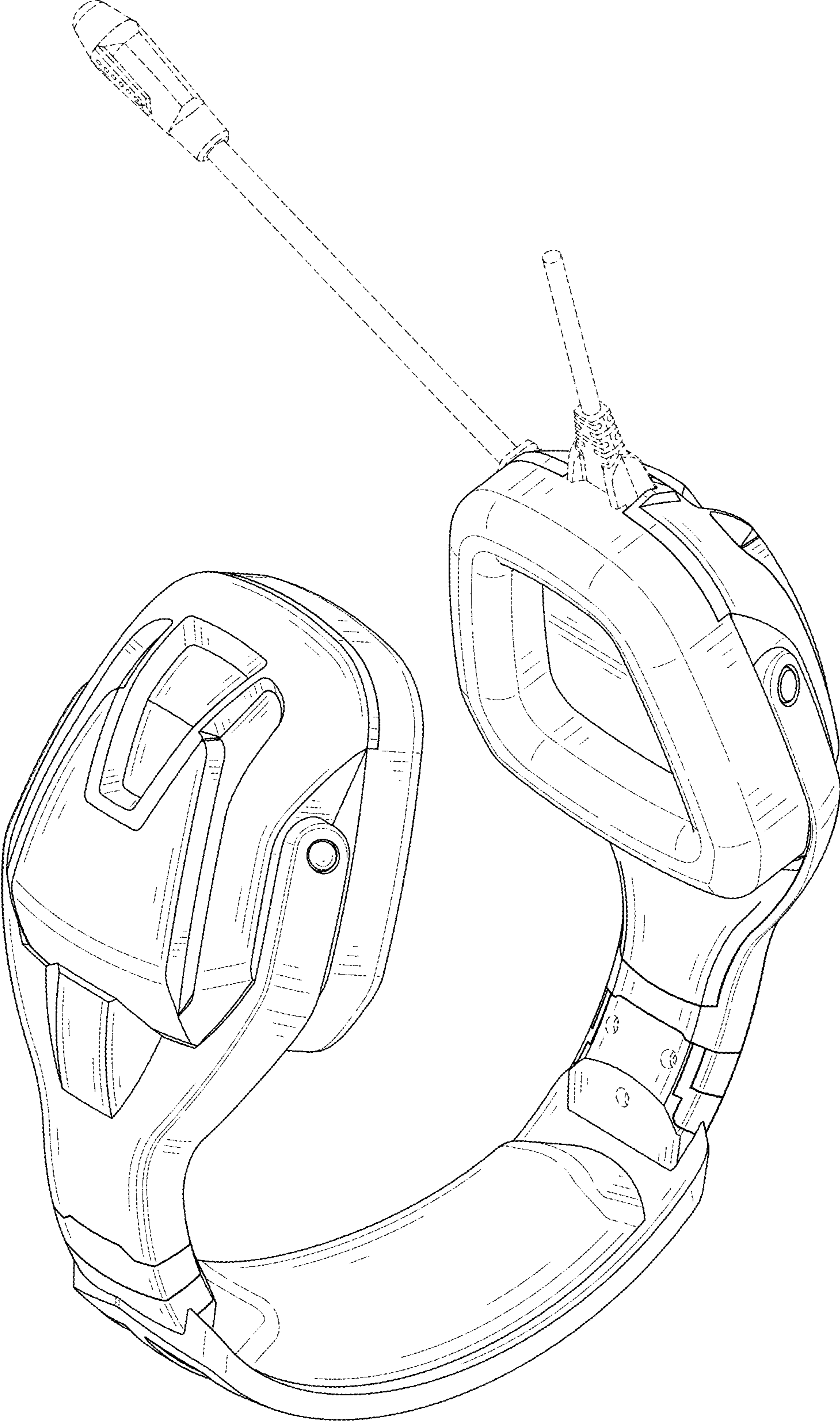


FIG. 2



FIG. 3

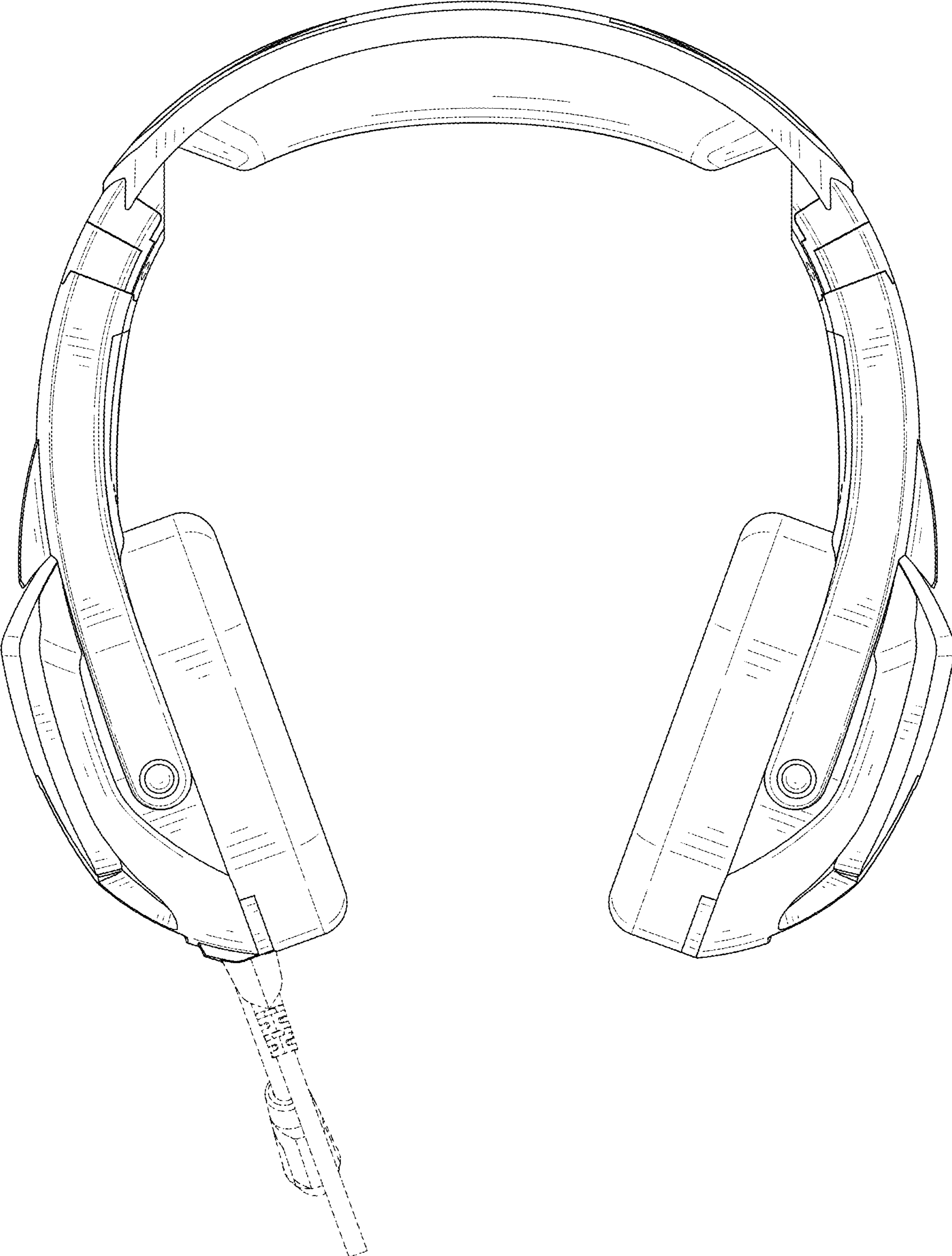


FIG. 4

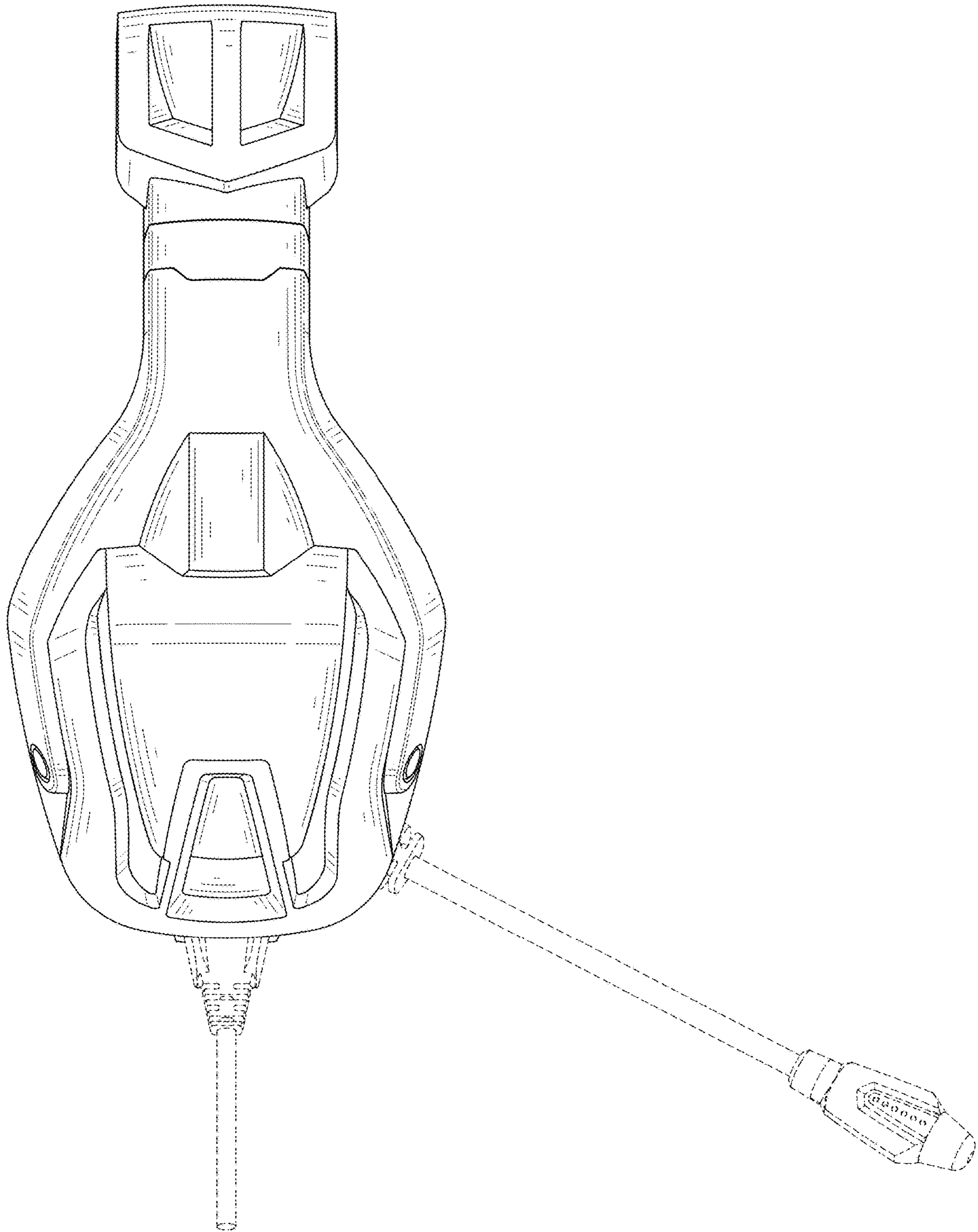


FIG. 5

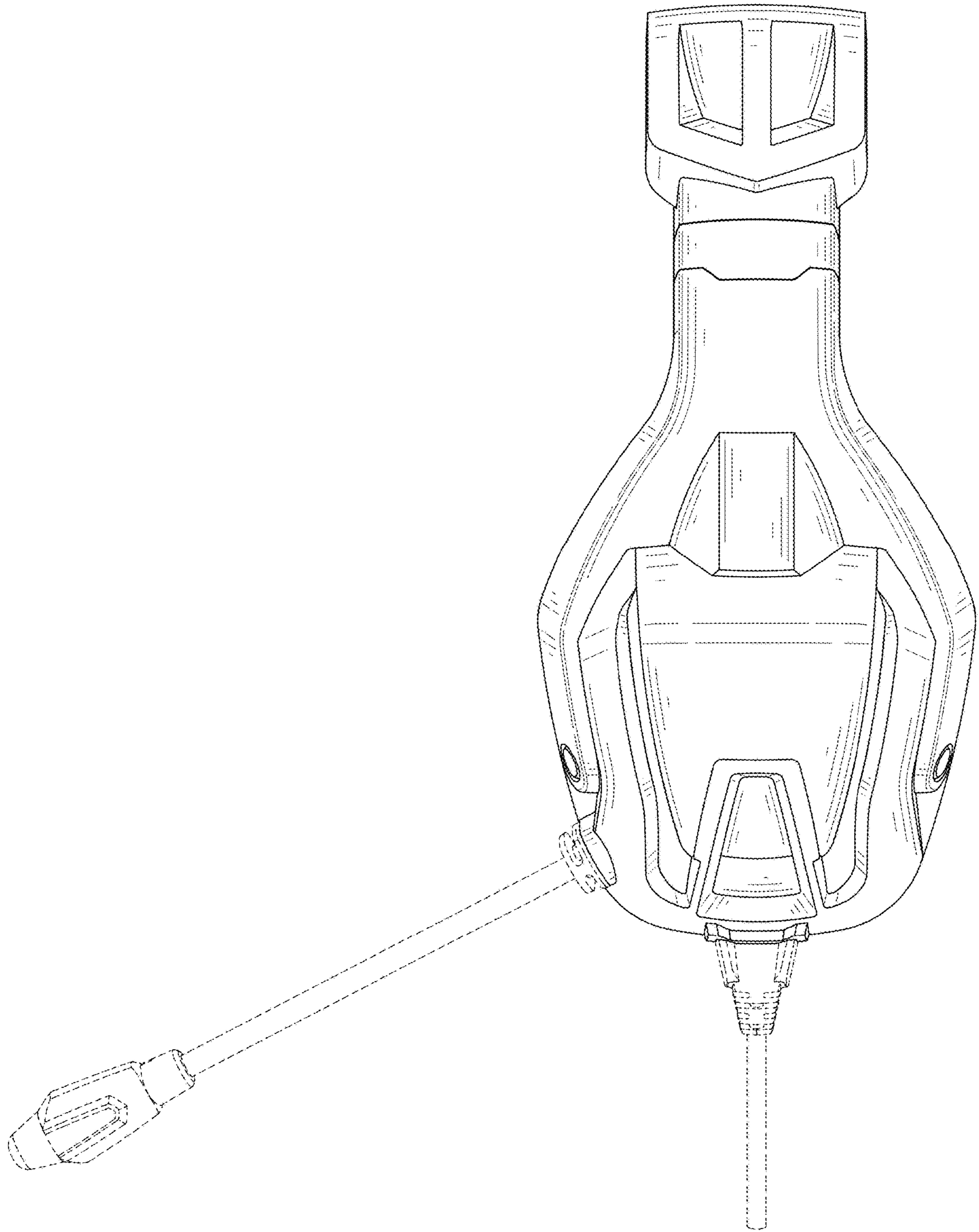


FIG. 6

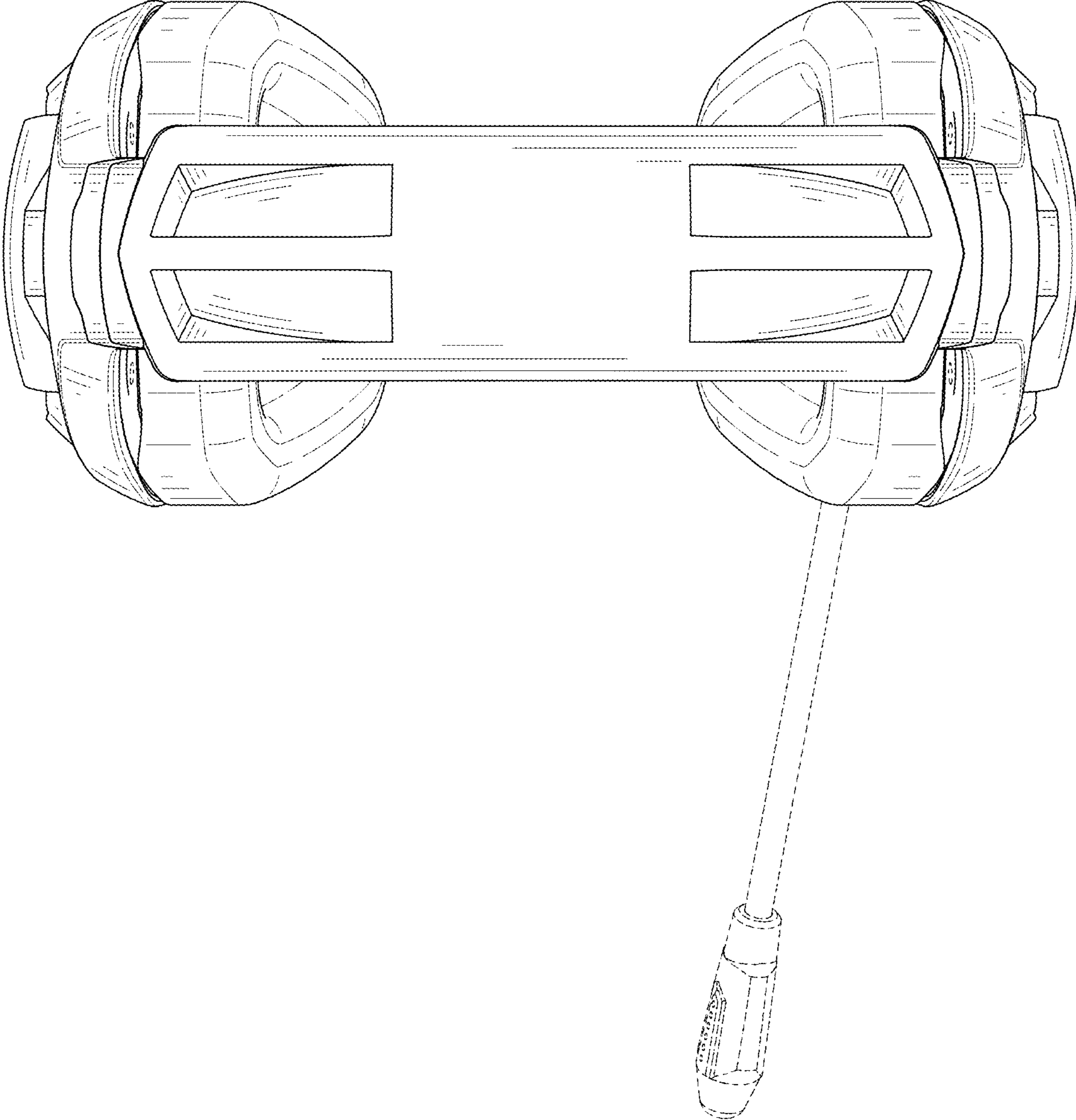


FIG. 7

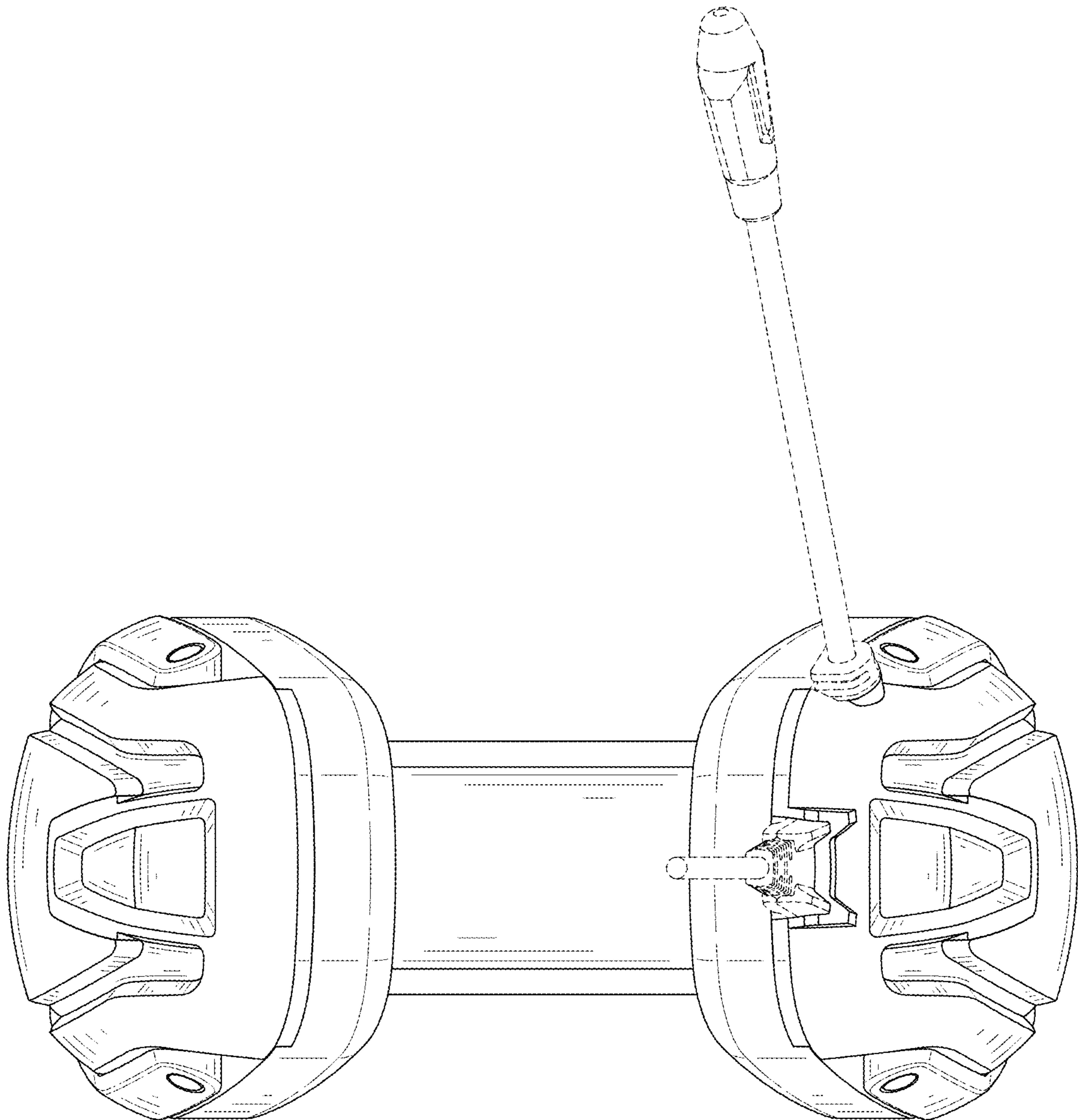


FIG. 8