



US00D875709S

(12) **United States Design Patent**
Yuanfa et al.

(10) **Patent No.:** **US D875,709 S**
(45) **Date of Patent:** **** Feb. 18, 2020**

(54) **EARPHONE**

FOREIGN PATENT DOCUMENTS

(71) Applicant: **SHENZHEN GRANDSUN ELECTRONIC CO., LTD.**, Shenzhen, Guangdong (CN)

EM 005808060-001 * 10/2018

Primary Examiner — Paula Allen Greene

(72) Inventors: **Xin Yuanfa**, Shenzhen (CN); **Wu Haiquan**, Shenzhen (CN); **Yu Xin**, Shenzhen (CN); **Shi Ruiwen**, Shenzhen (CN)

(74) *Attorney, Agent, or Firm* — Conley Rose, P.C.; Grant Rodolph

(73) Assignee: **SHENZHEN GRANDSUN ELECTRONIC CO., LTD.**, Shenzhen, Guangdong (CN)

(57) **CLAIM**

The ornamental design for earphone, as shown and described.

(**) Term: **15 Years**

DESCRIPTION

(21) Appl. No.: **29/655,669**

FIG. 1 is a perspective view of an earphone;

(22) Filed: **Jul. 5, 2018**

FIG. 2 is a front view thereof;

(30) **Foreign Application Priority Data**

Jan. 5, 2018 (CN) 2018 3 0004836

FIG. 3 is a rear view thereof;

(51) **LOC (12) Cl.** **14-01**

FIG. 4 is a left side view thereof;

(52) **U.S. Cl.**
USPC **D14/205**

FIG. 5 is a right side view thereof;

(58) **Field of Classification Search**
USPC D14/205, 223; D13/107, 110, 119;
181/129, 130, 135; 379/430, 431;
381/380, 381, 374; 455/90.3, 575.1,
455/569.1

FIG. 6 is a top view thereof;

CPC H04R 1/10; H04R 1/1066; H04R 1/1016;
H04R 5/033; H04R 5/0335; H04R 25/00;
H04R 1/1041; H04R 1/105; H04R
1/1091; H04R 1/1058

FIG. 7 is a bottom view thereof;

See application file for complete search history.

FIG. 8 is a perspective view of another embodiment of an earphone;

(56) **References Cited**

U.S. PATENT DOCUMENTS

D316,550 S * 4/1991 Sogabe D14/168
D334,043 S * 3/1993 Taniguchi D14/218

FIG. 9 is a front view thereof;

FIG. 10 is a rear view thereof;

FIG. 11 is a left side view thereof;

FIG. 12 is a right side view thereof;

FIG. 13 is a top view thereof;

FIG. 14 is a bottom view thereof;

FIG. 15 is a perspective view of another embodiment of an earphone;

FIG. 16 is a front view thereof;

FIG. 17 is a rear view thereof;

FIG. 18 is a left side view thereof;

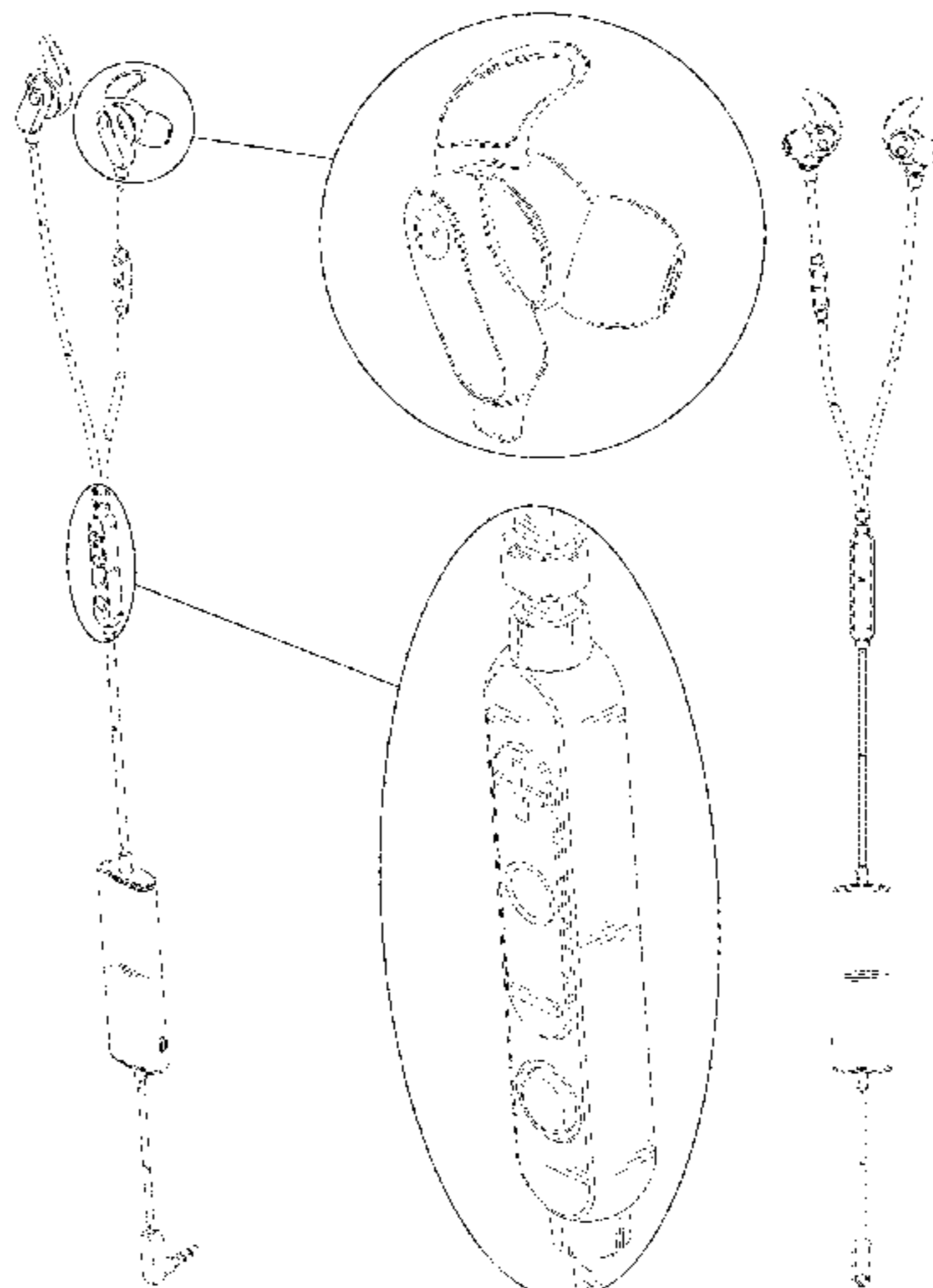
FIG. 19 is a right side view thereof;

FIG. 20 is a top view thereof; and,

FIG. 21 is a bottom view thereof.

The design which is claimed is shown in solid lines in the drawings. The broken lines depict environment that forms no part of the claimed design.

1 Claim, 21 Drawing Sheets



(56)

References Cited

U.S. PATENT DOCUMENTS

D554,109 S * 10/2007 Ledbetter D14/223
 D558,735 S * 1/2008 Carr D14/206
 D567,216 S * 4/2008 Densho D14/205
 D573,977 S * 7/2008 Ledbetter D14/205
 D578,508 S * 10/2008 Wang D14/206
 D582,389 S * 12/2008 Bose D14/205
 D582,889 S * 12/2008 Bose D14/205
 D584,284 S * 1/2009 Carr D14/206
 D591,254 S * 4/2009 Lim D14/138 AA
 D641,737 S * 7/2011 Krauss D14/205
 D648,315 S * 11/2011 Kao D14/205
 D652,817 S * 1/2012 Lee D14/205
 D659,117 S * 5/2012 Krauss D14/205
 8,314,354 B2 * 11/2012 Prest H01H 13/7057
 200/406
 D674,786 S * 1/2013 Park D14/240
 D684,950 S * 6/2013 Schaal D14/205
 D684,953 S * 6/2013 Schaal D14/205
 D686,191 S * 7/2013 Schaal D14/205
 D695,265 S * 12/2013 Schaal D14/205
 D695,266 S * 12/2013 Schaal D14/205
 D695,267 S * 12/2013 Schaal D14/205
 D697,049 S * 1/2014 Krauss D14/205
 D699,703 S * 2/2014 Schaal D14/205
 8,743,533 B2 * 6/2014 Stanley H01H 9/0228
 361/679.01

D712,884 S * 9/2014 Krauss D14/205
 D715,253 S * 10/2014 Lee D14/205
 8,908,899 B1 * 12/2014 Yang H04R 1/1033
 381/370
 D739,377 S * 9/2015 Yeom D14/205
 D764,436 S * 8/2016 Dryden D14/205
 D777,139 S * 1/2017 Fletcher D14/205
 D782,998 S * 4/2017 Shin D14/205
 D798,841 S * 10/2017 Park D14/218
 D803,779 S * 11/2017 Jung D13/107
 9,986,323 B2 * 5/2018 Armstrong H04R 1/1025
 D832,207 S * 10/2018 Gorin D13/107
 D840,972 S * 2/2019 Luo D14/205
 D850,407 S * 6/2019 Li D14/205
 D856,307 S * 8/2019 Maeda D14/218
 2013/0077815 A1 * 3/2013 Stephenson H04R 1/1033
 381/370
 2014/0138150 A1 * 5/2014 Huang H04R 1/1033
 174/71 R
 2015/0171386 A1 * 6/2015 Yang H01M 2/1022
 429/163
 2016/0142808 A1 * 5/2016 Monahan H04R 1/105
 381/384
 2016/0261946 A1 * 9/2016 Chen H04R 1/1016
 2017/0295421 A1 * 10/2017 Hung H04R 1/1016
 2018/0027318 A1 * 1/2018 Witt H04R 1/1016
 381/182

* cited by examiner

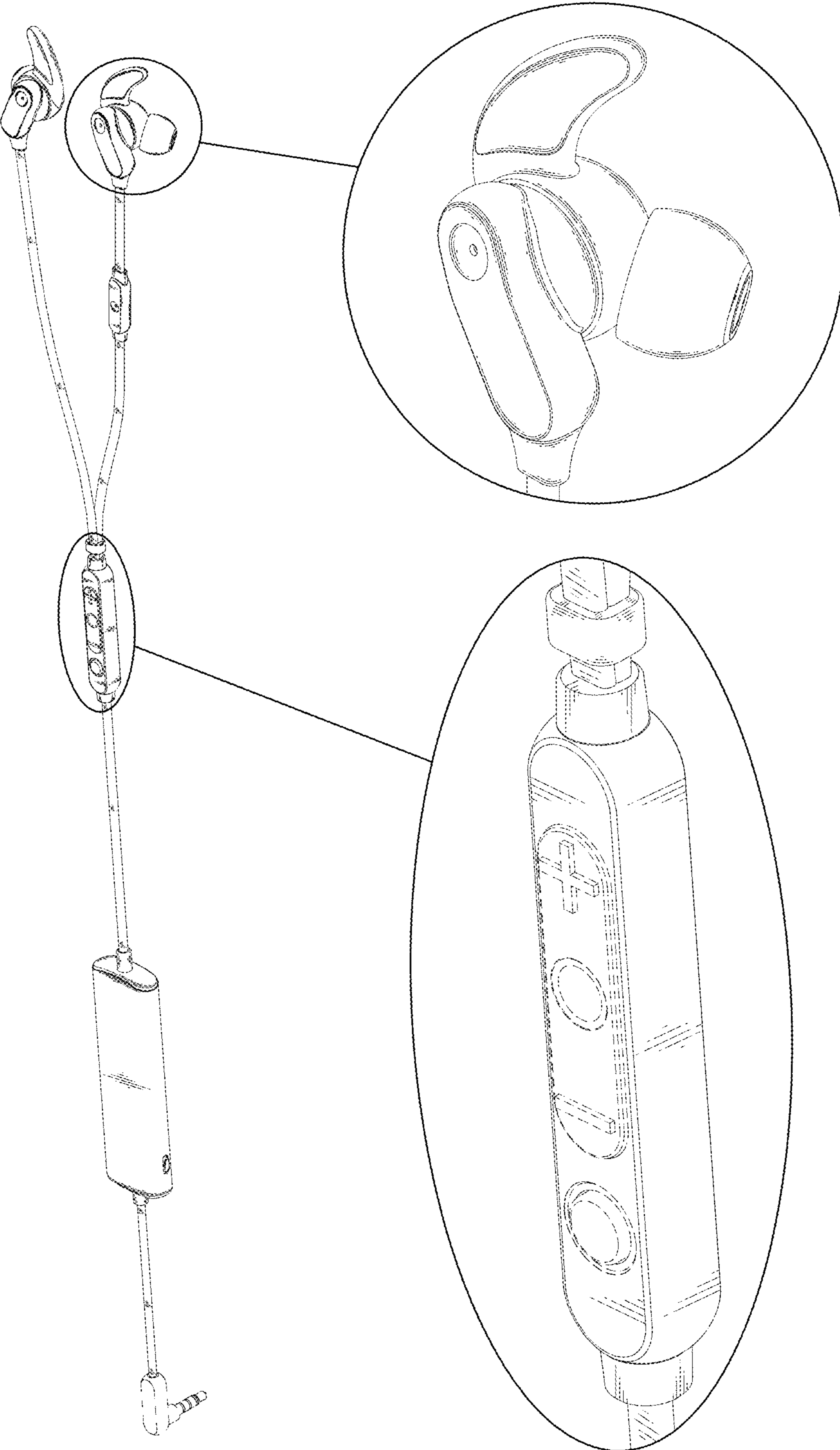


FIG. 1

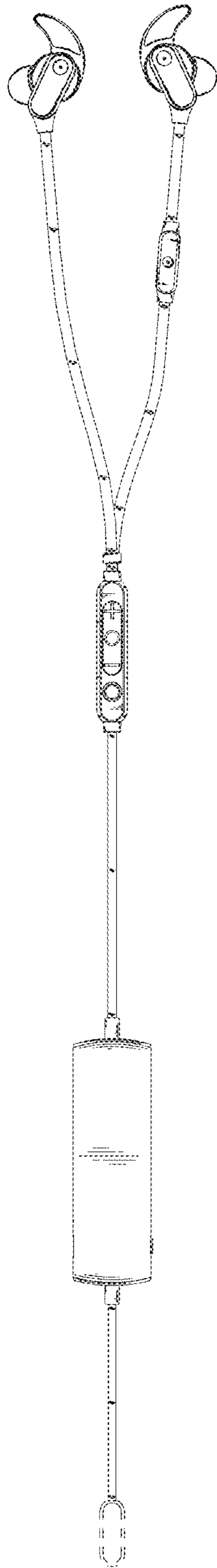


FIG. 2

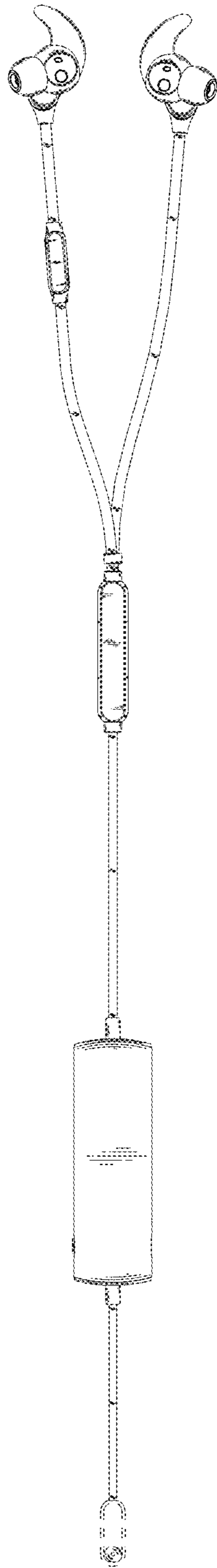


FIG. 3

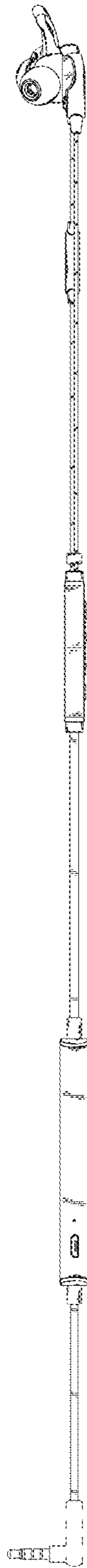


FIG. 4

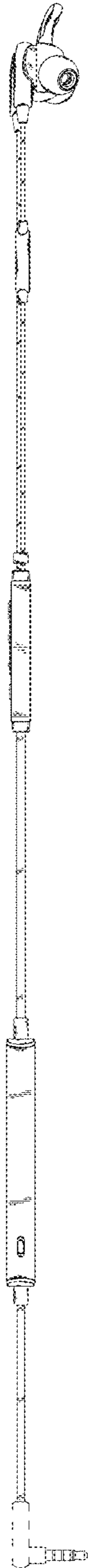


FIG. 5

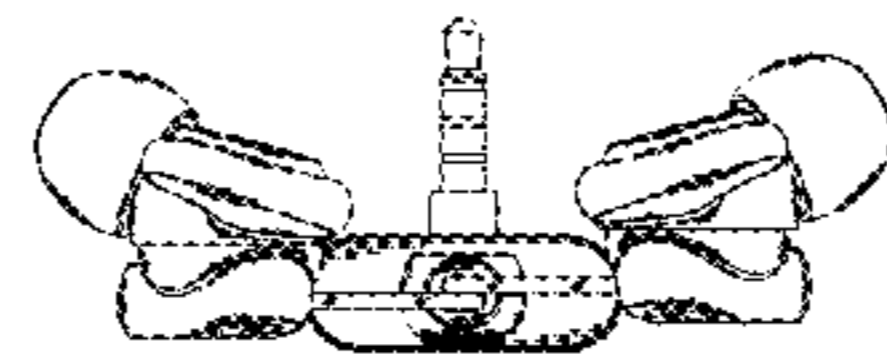


FIG. 6

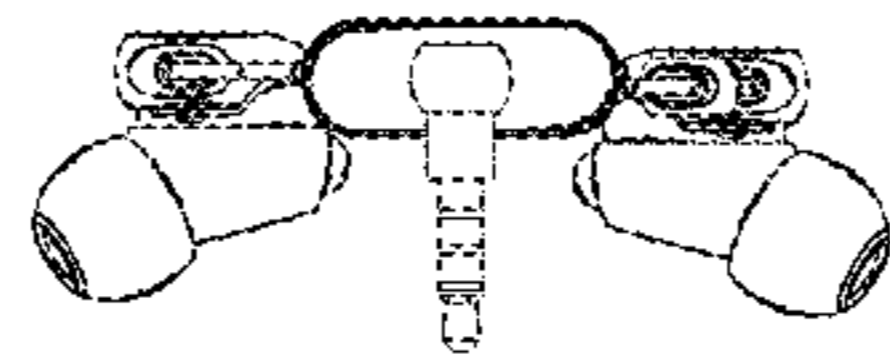


FIG. 7

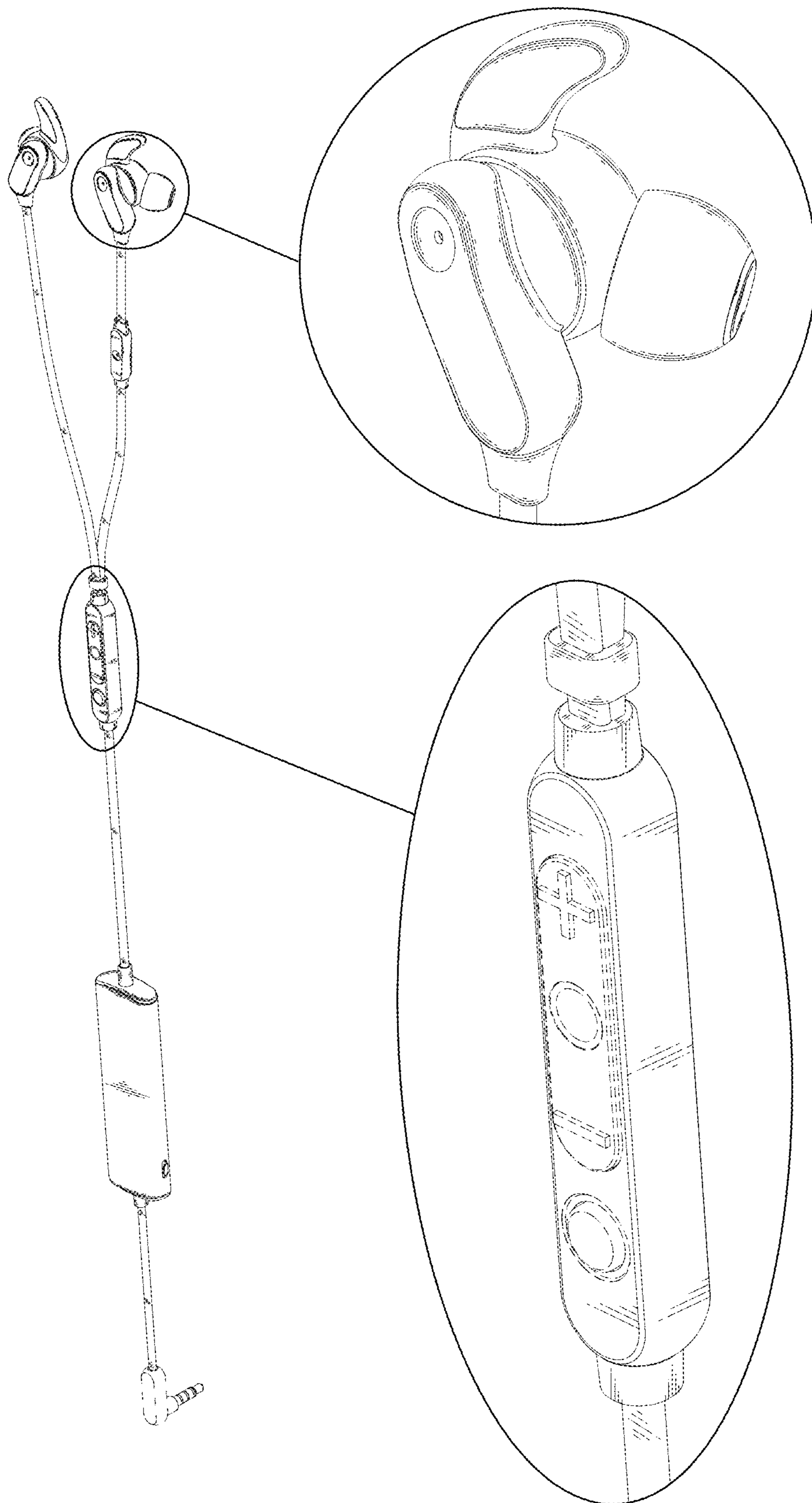


FIG. 8

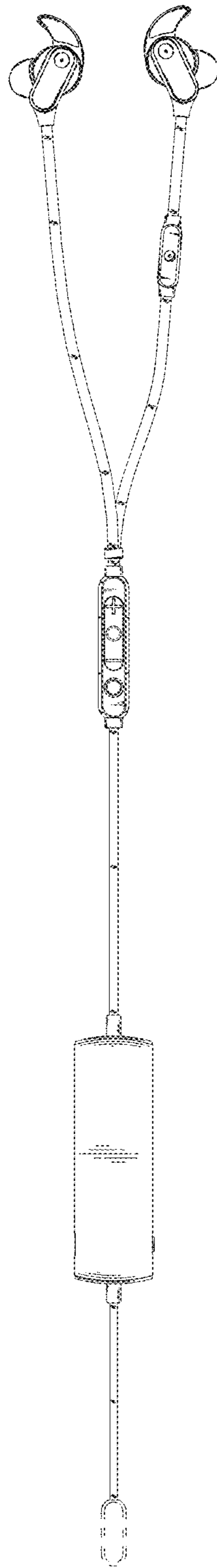


FIG. 9

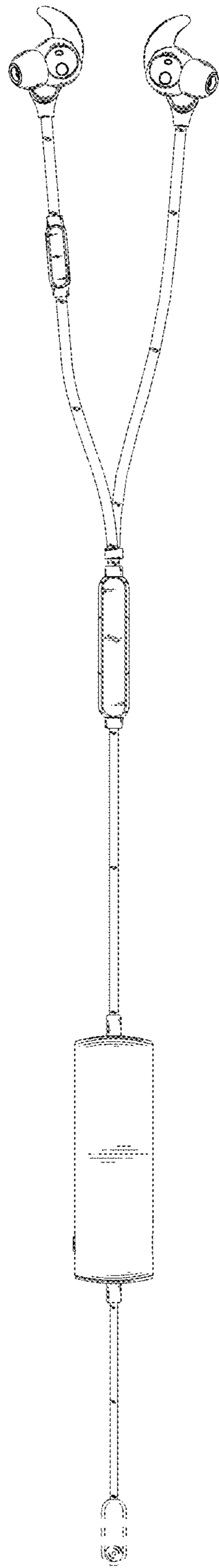


FIG. 10

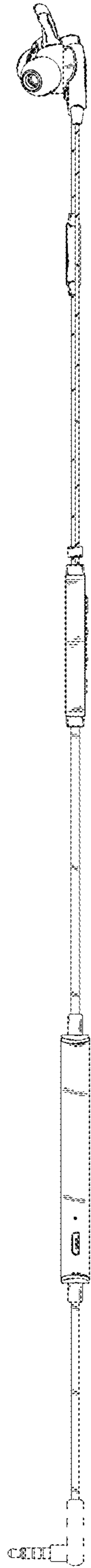


FIG. 11



FIG. 12

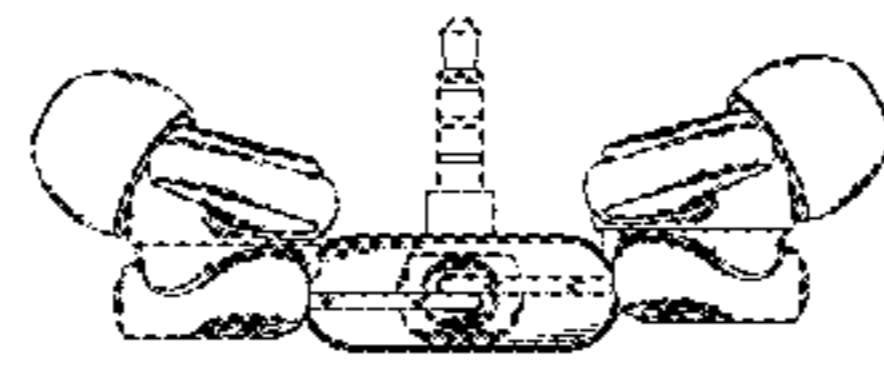


FIG. 13

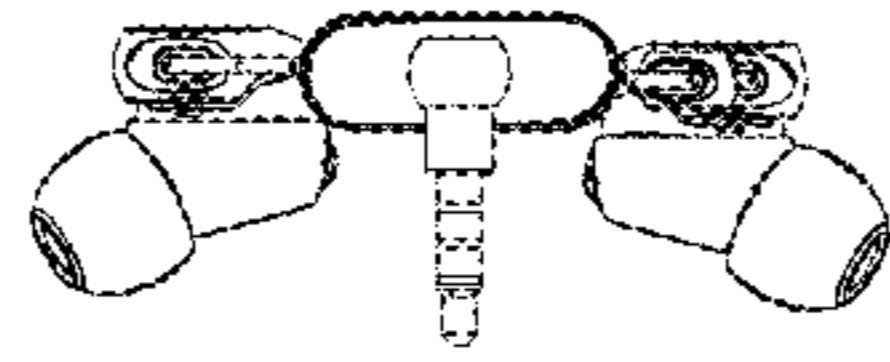


FIG. 14

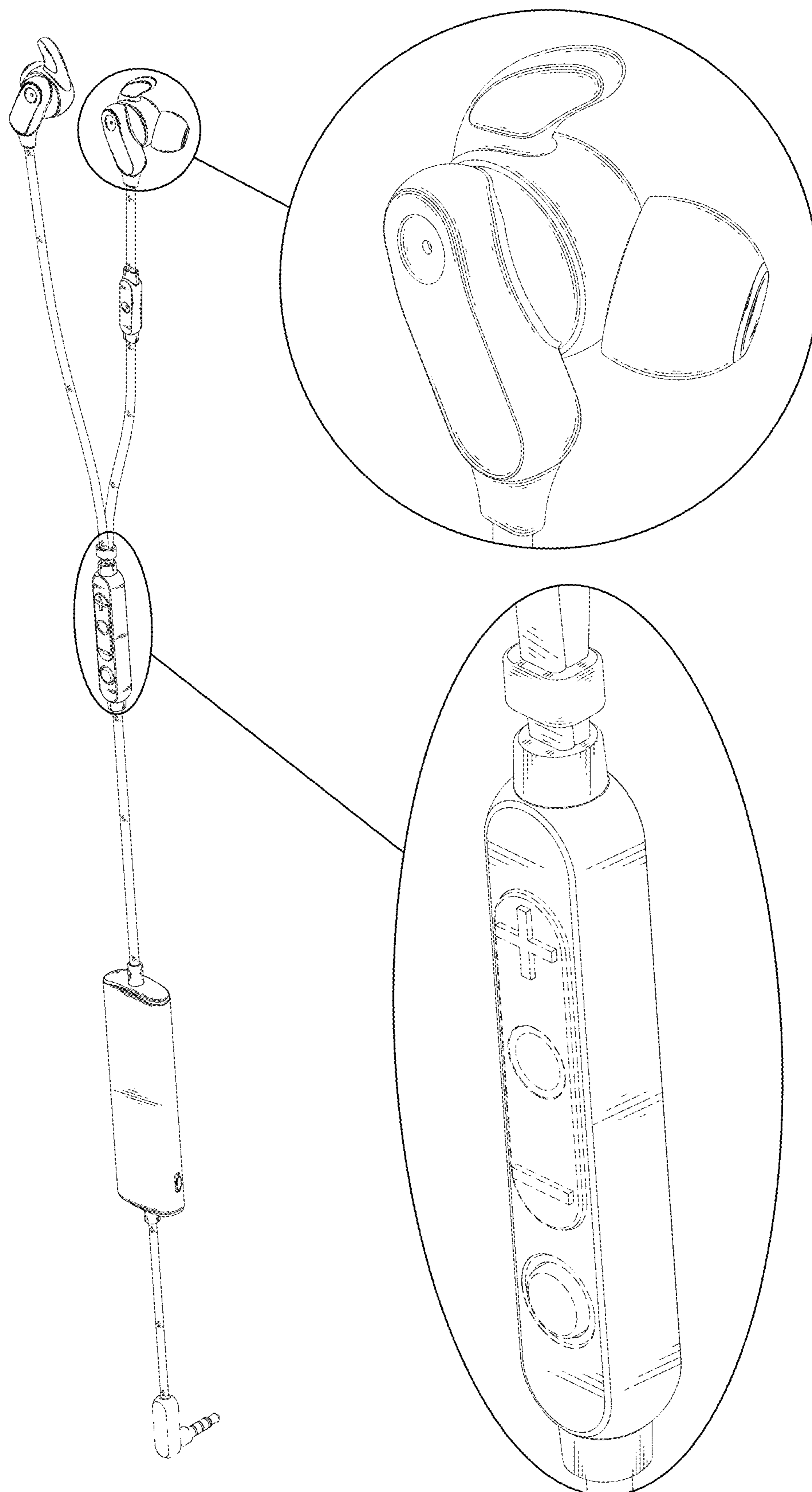


FIG. 15

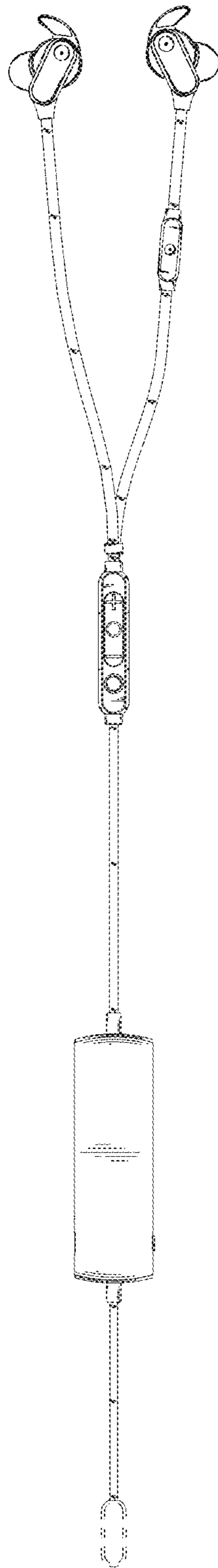


FIG. 16

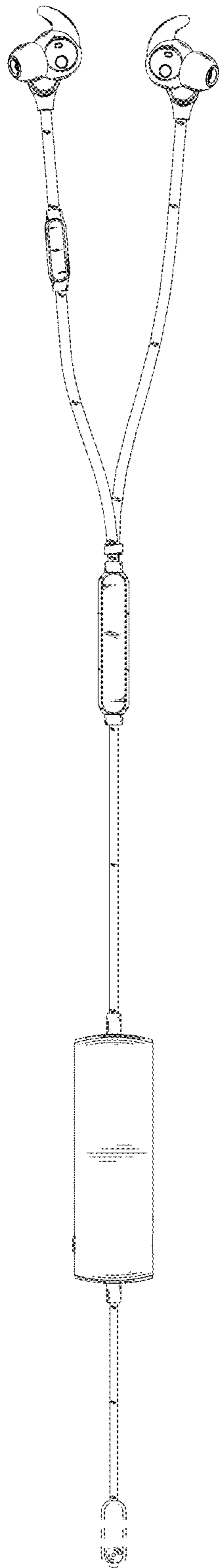


FIG. 17

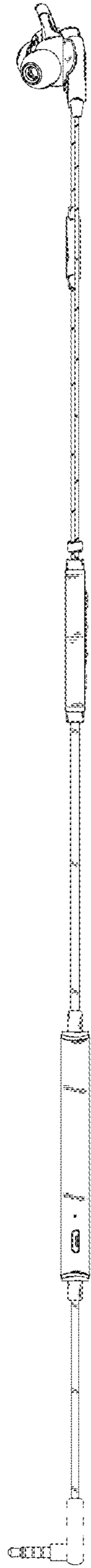


FIG. 18

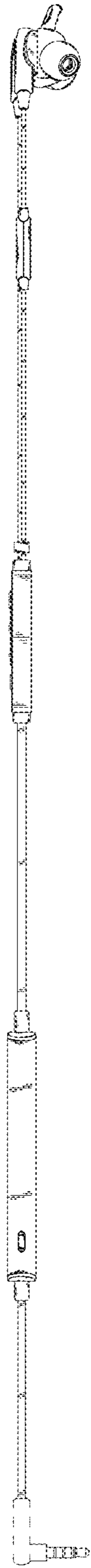


FIG. 19

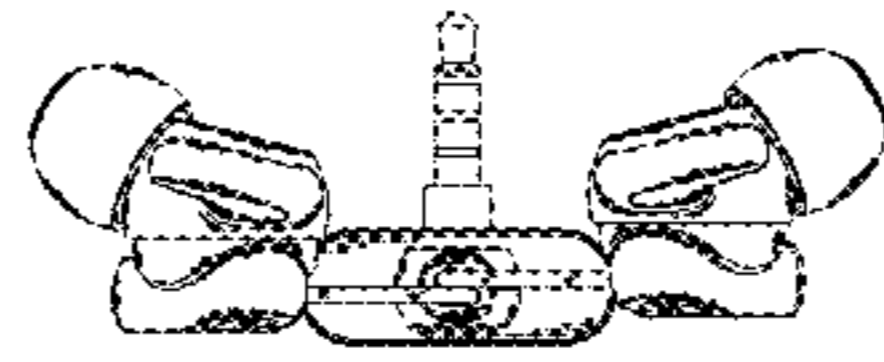


FIG. 20

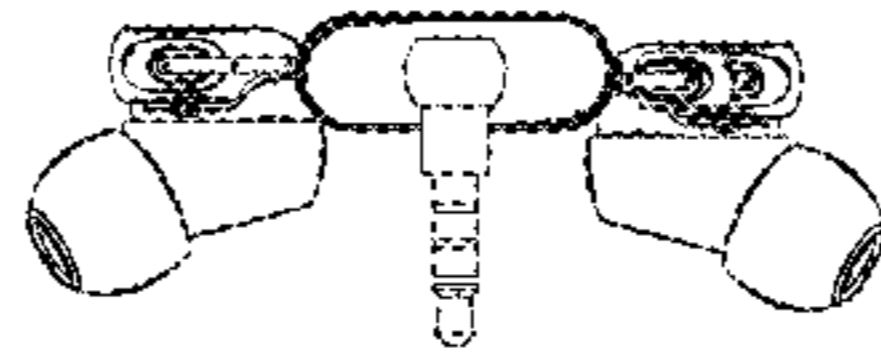


FIG. 21