



US00D875708S

(12) **United States Design Patent**  
**Tang**

(10) **Patent No.:** **US D875,708 S**

(45) **Date of Patent:** **\*\* \*Feb. 18, 2020**

(54) **WIRELESS HEADPHONE**

(71) Applicant: **Caigang Tang**, Guangdong (CN)

(72) Inventor: **Caigang Tang**, Guangdong (CN)

(\*) Notice: This patent is subject to a terminal disclaimer.

(\*\*) Term: **15 Years**

(21) Appl. No.: **29/601,634**

(22) Filed: **Apr. 25, 2017**

(51) **LOC (12) Cl.** ..... **14-01**

(52) **U.S. Cl.**  
USPC ..... **D14/205**

(58) **Field of Classification Search**  
USPC ..... D14/205, 206, 223; D29/112, 423;  
2/209; 181/129, 130, 135; 379/430, 431;  
381/380, 381, 374, 74; 455/90.3, 575.1,  
455/569.1

CPC .... H04R 1/1066; H04R 1/1016; H04R 5/033;  
H04R 5/0335; H04R 25/00; H04R 1/10  
See application file for complete search history.

(56) **References Cited**

**U.S. PATENT DOCUMENTS**

D266,244 S	9/1982	Hofer et al.	
D552,077 S *	10/2007	Brunner	D14/205
D632,668 S	2/2011	Brunner et al.	
D652,406 S *	1/2012	Lee	D14/205
D660,823 S *	5/2012	Hardi	D14/205
D660,824 S *	5/2012	Hardi	D14/205
D662,490 S	6/2012	McSweyn	
D663,716 S *	7/2012	Hardi	D14/205
D664,117 S *	7/2012	Tappeiner	D14/205
D664,118 S *	7/2012	Tappeiner	D14/205
D666,991 S *	9/2012	Lee	D14/205
D671,914 S *	12/2012	Lee	D14/205
D673,518 S	1/2013	Tan	
D674,767 S *	1/2013	Brunner	D14/205

D677,648 S *	3/2013	Lee	D14/206
D683,329 S *	5/2013	Hagelin	D14/205
D689,463 S	9/2013	Hardi et al.	
D689,843 S *	9/2013	Lee	D14/205
D691,579 S *	10/2013	Lee	D14/205
D692,410 S *	10/2013	Brunner	H04S 1/005 D14/206
D693,791 S *	11/2013	Troy	D14/205
D696,228 S	12/2013	Miyake et al.	
D702,210 S	4/2014	Birger	
D712,871 S	9/2014	McNamara	
D716,760 S *	11/2014	Brunner	D14/206
D717,764 S	11/2014	Lee et al.	
D722,591 S	2/2015	Son et al.	
D732,001 S	6/2015	Licht et al.	
D738,350 S	9/2015	Brunner et al.	

(Continued)

**OTHER PUBLICATIONS**

U.S. Trademark Registration No. 4841872; Mark—Mpow Filing date: Oct. 18, 2013 Publication date: Apr. 14, 2015.

(Continued)

*Primary Examiner* — Paula Allen Greene

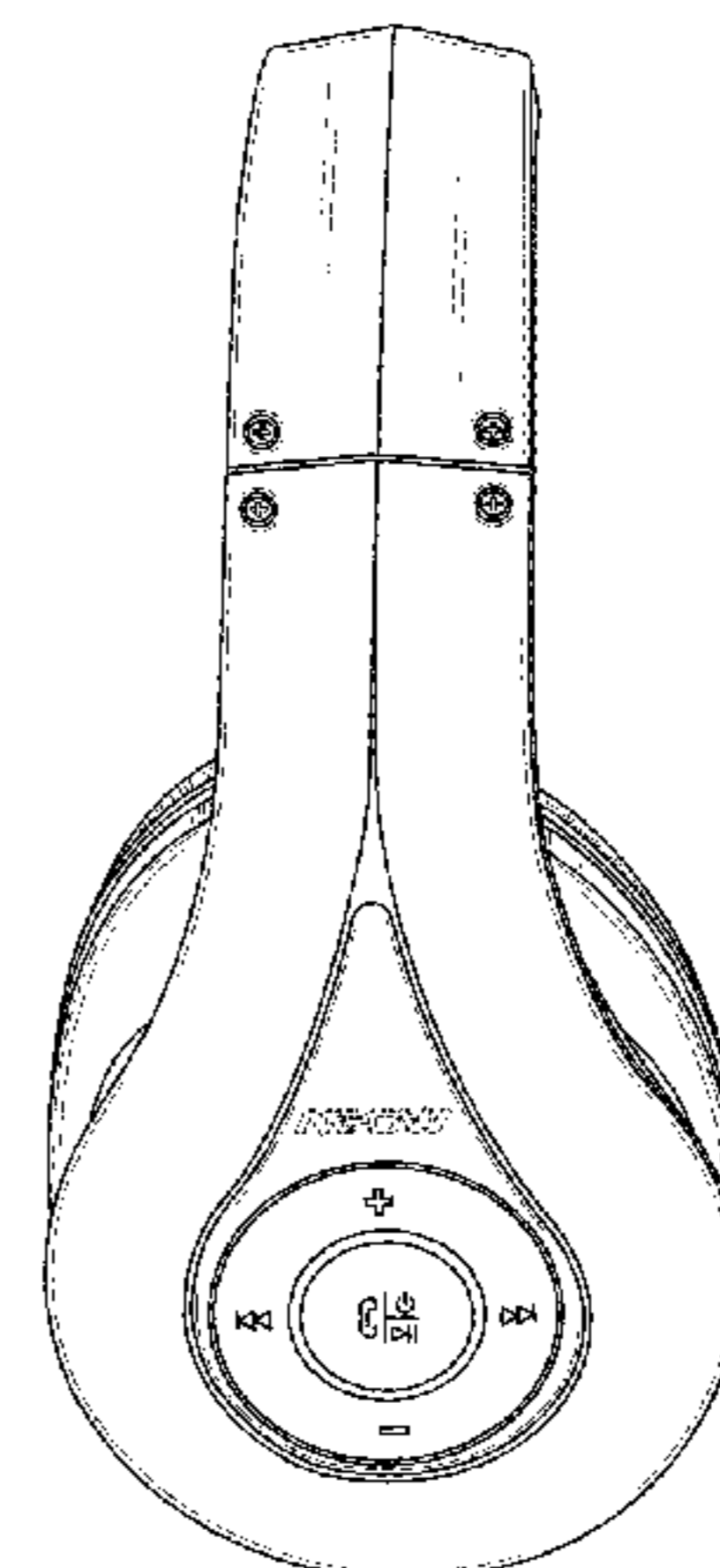
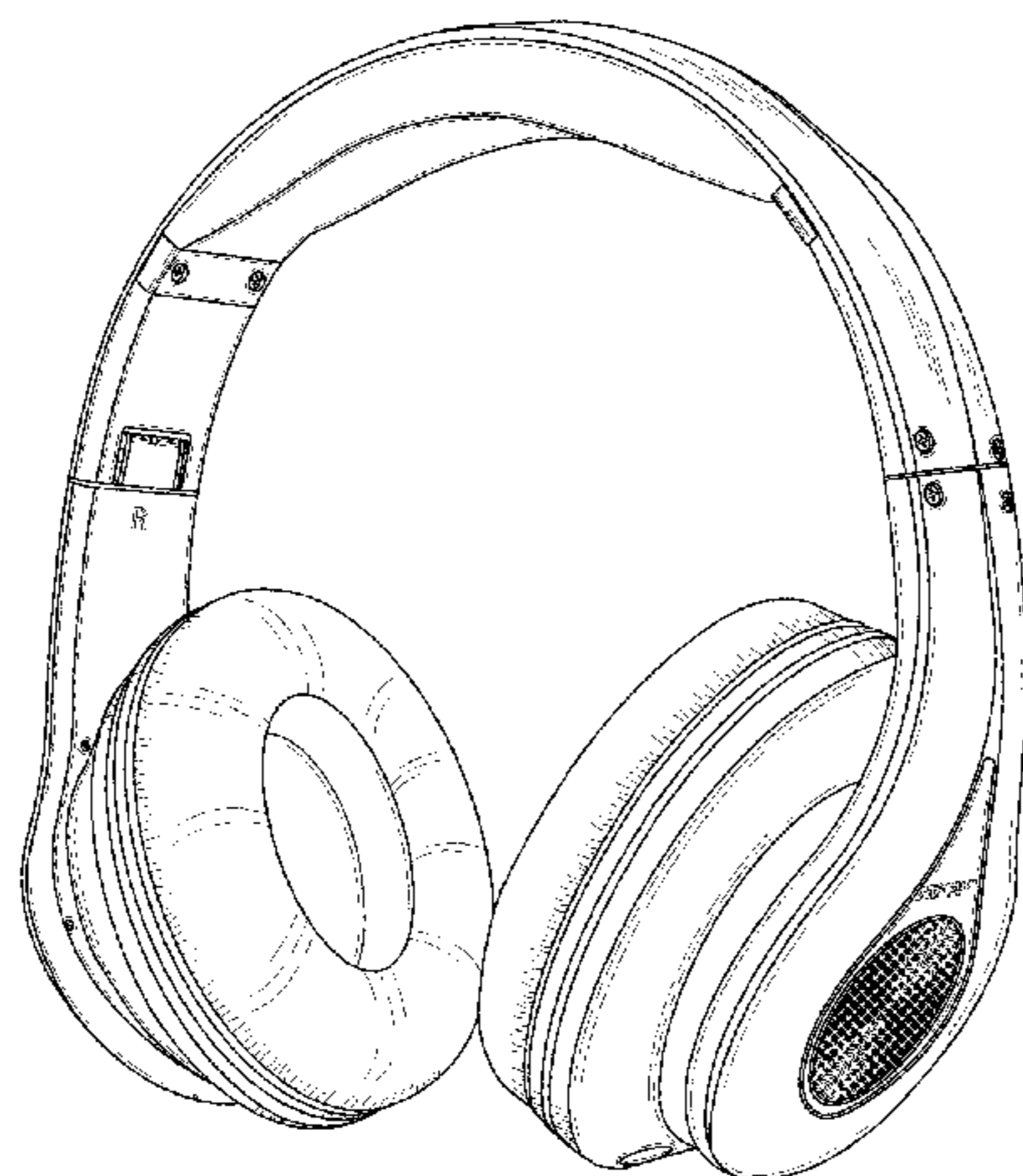
(57) **CLAIM**

The ornamental design for a wireless headphone, as shown and described.

**DESCRIPTION**

FIG. 1 is a front right perspective view for a wireless headphone, showing my new design; FIG. 2 is front perspective view of FIG. 1 thereof; FIG. 3 is rear perspective view of FIG. 1 thereof; FIG. 4 is a left side elevational view of FIG. 1 thereof; FIG. 5 is a right side elevational view of FIG. 1 thereof; and, FIG. 6 is a top perspective view of FIG. 1 thereof. The broken lines indicate unclaimed portions of the design and form no part of the claimed design.

**1 Claim, 6 Drawing Sheets**



(56)

References Cited

U.S. PATENT DOCUMENTS

D738,850 S	9/2015	Chung et al.	
D740,254 S	10/2015	Huang et al.	
D758,990 S	6/2016	Jiang	
D764,435 S *	8/2016	Brunner .....	D14/205
D769,842 S	10/2016	Rouffiat	
D778,258 S	2/2017	Hsu et al.	
D785,594 S	5/2017	Zaihui	
D786,824 S *	5/2017	Hembrey .....	D14/205
D791,733 S	7/2017	Brunner et al.	
2005/0053255 A1 *	3/2005	Harris .....	H04R 1/1066 381/379
2011/0206216 A1 *	8/2011	Brunner .....	H04R 1/1066 381/74

OTHER PUBLICATIONS

U.S. Trademark Registration No. 4762936; Mark—Mpow Filing date: Mar. 26, 2014 Publication date: Apr. 14, 2015.

“Thor Over-ear, Foldable Bluetooth Wireless Stereo Headphone”, by Mpow, Found Online [Sep. 26, 2017] [https://cdn.mpowcdn.com/media/catalog/product/cache/1/image/650x/040ec09b1e35df139433887a97daa66f/m/p/mpbh036bb\\_a1\\_170511\\_v01.jpg](https://cdn.mpowcdn.com/media/catalog/product/cache/1/image/650x/040ec09b1e35df139433887a97daa66f/m/p/mpbh036bb_a1_170511_v01.jpg).

“M3 Over Ear Bluetooth Headphone”, by Mpow, Found Online [Sep. 26, 2017] [https://cdn.mpowcdn.com/media/catalog/product/cache/1/image/9df78eab33525d08d6e5fb8d27136e95/m/p/mpbh059ab\\_a1\\_161114\\_v01\\_2\\_1.jpg](https://cdn.mpowcdn.com/media/catalog/product/cache/1/image/9df78eab33525d08d6e5fb8d27136e95/m/p/mpbh059ab_a1_161114_v01_2_1.jpg).

“Wireless Over-Ear Headphone”, by Beats Studio, Found Online [Sep. 26, 2017] <https://cdn2.harveynorman.com.au/media/catalog/product/cache/21/image/992x558/9df78eab33525d08d6e5fb8d27136e95/3/5/3588.jpg>.

product/cache/21/image/992x558/

9df78eab33525d08d6e5fb8d27136e95/3/5/3588.jpg.

“I65 Foldable Headphone with Microphone and Volume Control”, by Sound Intone, Found Online [Sep. 26, 2017] <https://cdn.shopify.com/s/files/1/1617/5195/products/product-image-140332433.jpg?v=1489329445>.

“Bluetooth Wireless Headphone”, by Memorex, Found Online [Sep. 26, 2017] <http://memorex-ce.com/wp-content/uploads/2016/08/MHBT0545W-Quarterview-1400px-1.jpg>.

“Headphones Comfort”, by Mi, Found Online [Sep. 26, 2017] [http://i01.appmifile.com/v1/MI\\_18455B3E4DA706226CF7535A58E875F0267/pms\\_1492505028.88117341.jpg?width=420&height=420](http://i01.appmifile.com/v1/MI_18455B3E4DA706226CF7535A58E875F0267/pms_1492505028.88117341.jpg?width=420&height=420).

“Bluetooth 4.0 EDR On Ear Stereo Bass Over Ear Wireless Headphones”, by Ausdome, Found Online [Sep. 26, 2017] <http://www.ausdom.com/data/uploads/file/2015-12-22/5678e42e28733.jpg>.

“Rocker Rdx O1 Over Ear Wired Headphone With Mic”, by Zook, Found Online [Sep. 26, 2017] [https://images-na.ssl-images-amazon.com/images/I/71jJ21fR1IL.\\_SL1500\\_.jpg](https://images-na.ssl-images-amazon.com/images/I/71jJ21fR1IL._SL1500_.jpg).

“Headphone with Microphone for Travel Work Running Sport Kids Women”, by Sentey, Found Online [Sep. 26, 2017] [http://www.sentey.com/media/Features/Headphone/Flow%20pro/4225+/Overview\\_FlowPROv2.jpg](http://www.sentey.com/media/Features/Headphone/Flow%20pro/4225+/Overview_FlowPROv2.jpg).

“EchoPhonz AD-HP”, by Advent, Found Online [Sep. 26, 2017] <http://st1.bgr.in/wp-content/uploads/2015/12/advent-headphone-launched.jpg>.

“LiveFun 540 stereo Bluetooth Headphone With Mic, Foldable over the Ear Wireless Headphones”, by Envent, Found Online [Sep. 26, 2017] <http://www.enventworld.com/image/cache/data/envent-livefun-540-original-imaehzujrvwhf3ze-700x700.jpeg>.

\* cited by examiner

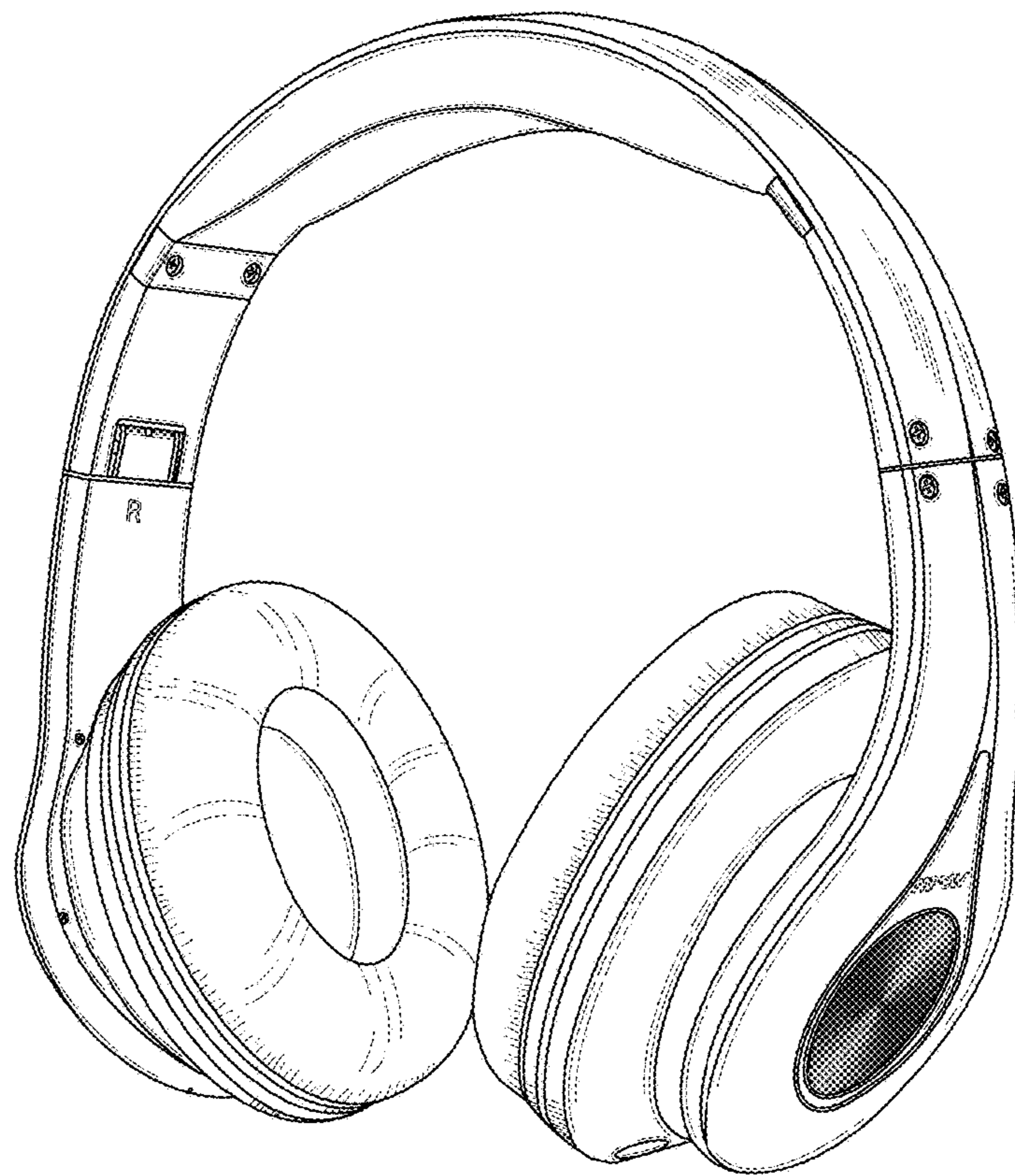


FIG. 1



FIG. 2



FIG. 3

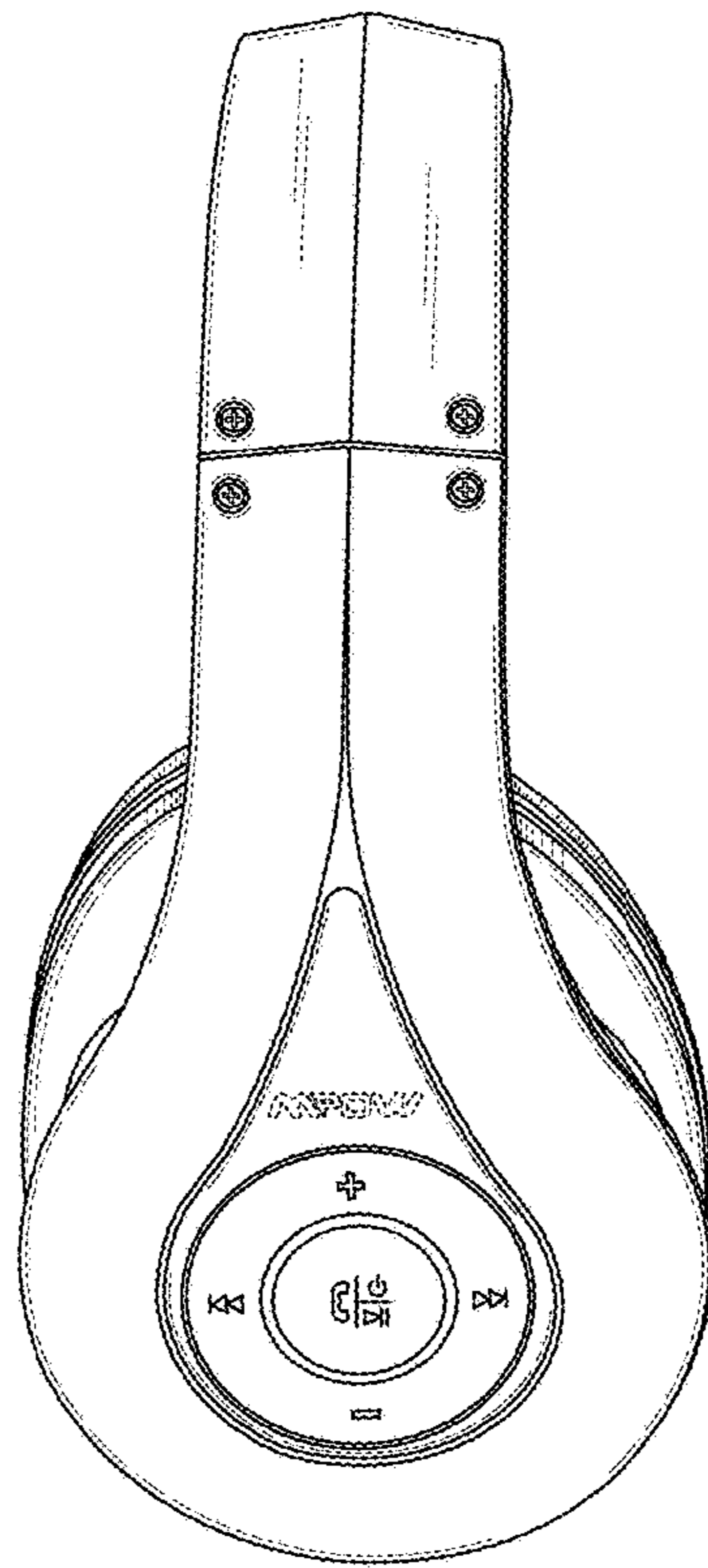


FIG. 4

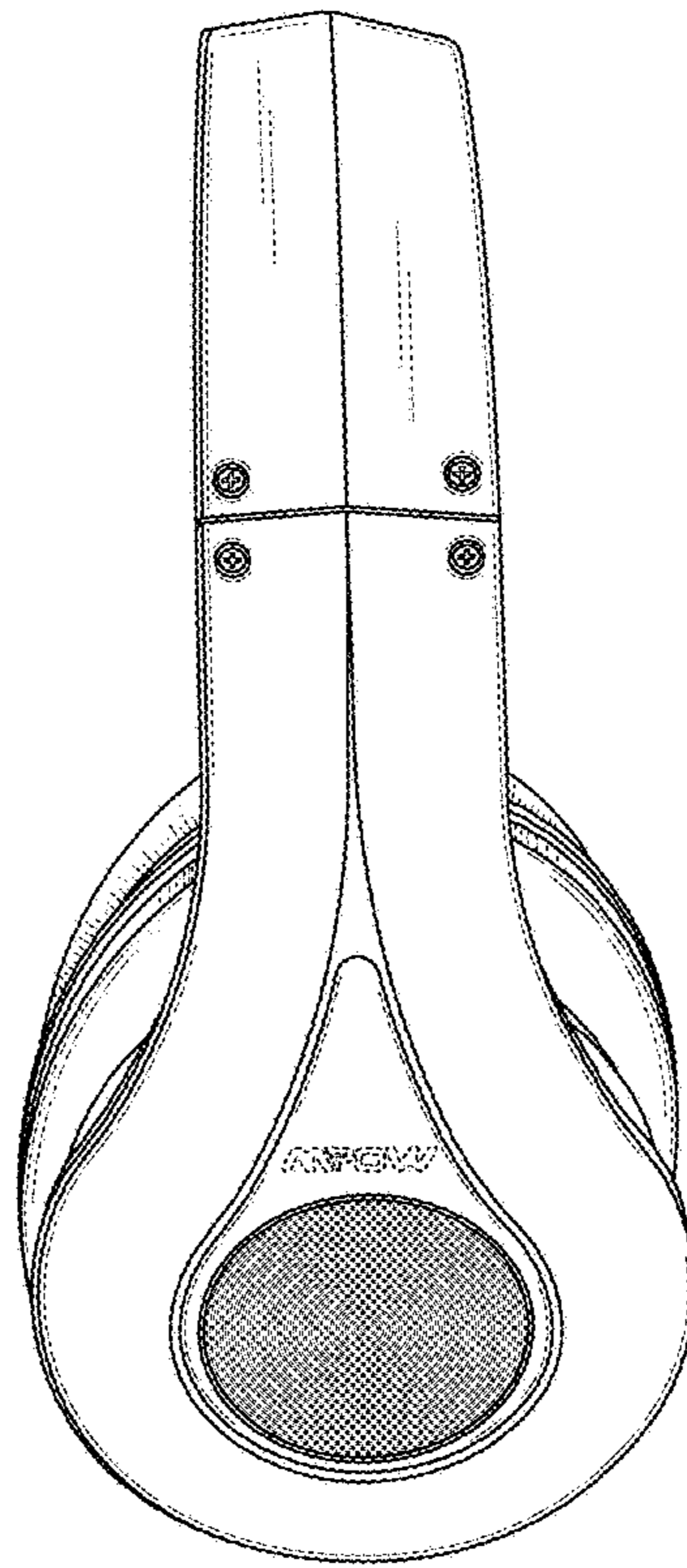


FIG. 5

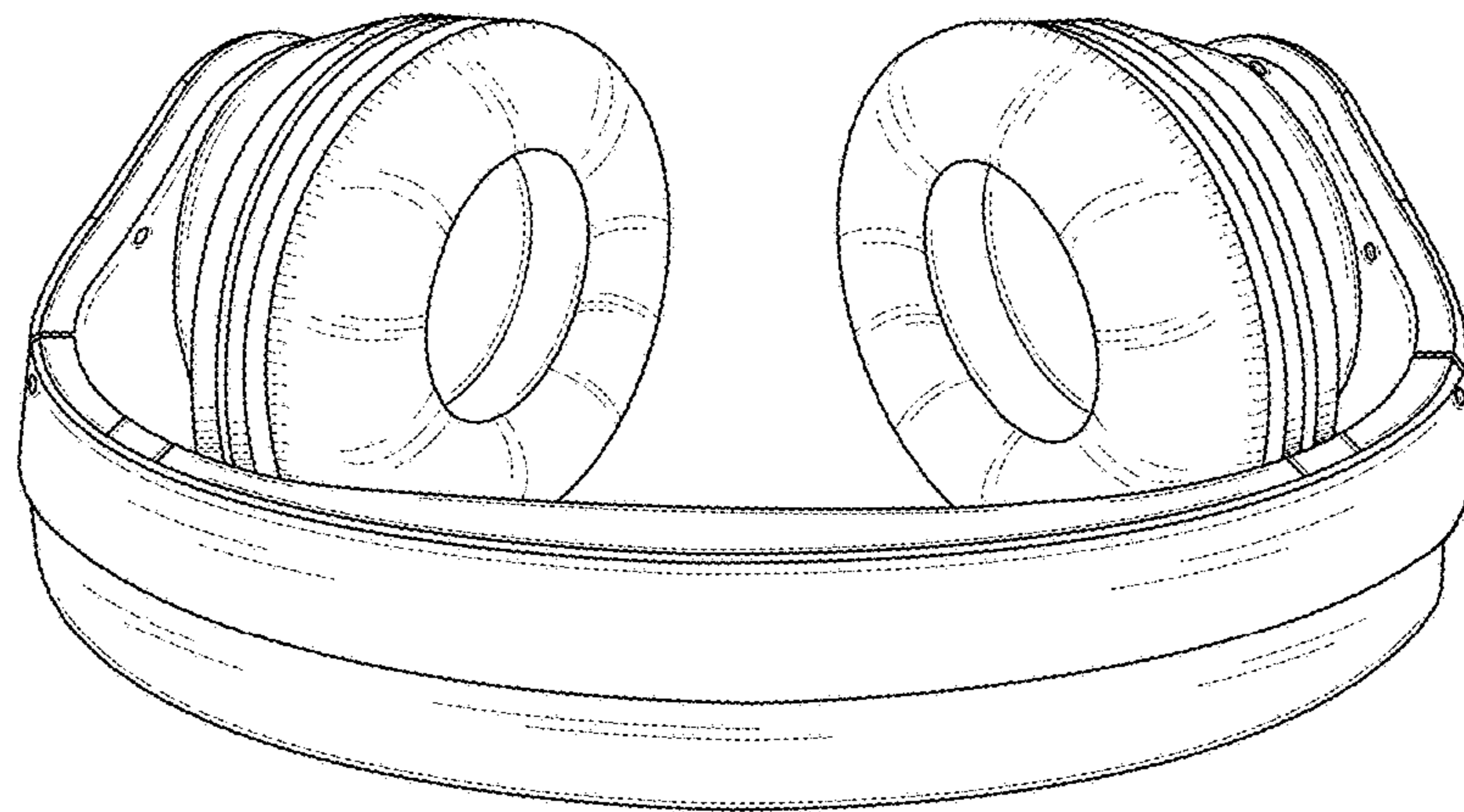


FIG. 6