



US00D875707S

(12) **United States Design Patent**
Yu

(10) **Patent No.:** **US D875,707 S**

(45) **Date of Patent:** **** Feb. 18, 2020**

(54) **WIRELESS SPEAKER**

(71) Applicant: **SHENZHEN DIVOOM TECHNOLOGY CO., LTD.**,
Shenzhen, Guangdong (CN)

(72) Inventor: **Chaoliang Yu**, Guangdong (CN)

(73) Assignee: **SHENZHEN DIVOOM TECHNOLOGY CO., LTD.**, Shenzhen (CN)

(**) Term: **15 Years**

(21) Appl. No.: **29/647,364**

(22) Filed: **May 11, 2018**

(51) **LOC (12) Cl.** **14-01**

(52) **U.S. Cl.**
USPC **D14/204**

(58) **Field of Classification Search**
USPC D14/167, 168, 170–172, 188, 194–196, D14/203.1, 203.3, 204, 207, 208, 209.1, D14/210–216, 219–222, 224, 239, 356, D14/363, 365–368, 496, 125, 126, D14/129–131, 133, 134, 371, 376–382; 181/143, 144, 145, 148, 150–153, 157, 181/198, 199; 369/6–12; 381/300–303, 381/361–364, 386–388; D12/192, 195, D12/415; 348/836, 838; 312/7.2
CPC B60R 11/0217; G06F 1/1688; G10K 9/22; G10K 11/004; H03F 1/327; H04M 1/03; H04M 1/035; H04N 5/642; H04N 21/4852; H04R 1/02; H04R 1/06; H04R 1/021; H04R 1/025; H04R 1/026; H04R 1/028; H04R 1/105; H04R 1/323; H04R 1/403; H04R 1/2803; H04R 1/2834; H04R 5/02; H04R 7/20; H04R 9/06; H04R 9/025; H04R 2201/021; H04R 2400/00; H04R 2400/07; H04R 2499/11; H04R 2499/13; H04R

(Continued)

(56) **References Cited**

U.S. PATENT DOCUMENTS

D229,971 S * 1/1974 Tokuda D14/126
D295,857 S * 5/1988 Nagashima D14/210

(Continued)

OTHER PUBLICATIONS

Tivoo, Pixel Speakers with Creative Functions on LED Screen Controlled by Cloud-based Mobile App, GlobalSources.com, [online], [site visited Jun. 5, 2019]. URL: <https://divoom.manufacturer.globalsources.com/si/6008825032421/pdtl/Bluetooth-speaker/1167433202/Pixel-Speakers.htm> (Year: 2019).*

(Continued)

Primary Examiner — T Chase Nelson

Assistant Examiner — Jonathan J. Han

(74) *Attorney, Agent, or Firm* — McClure, Qualey & Rodack, LLP

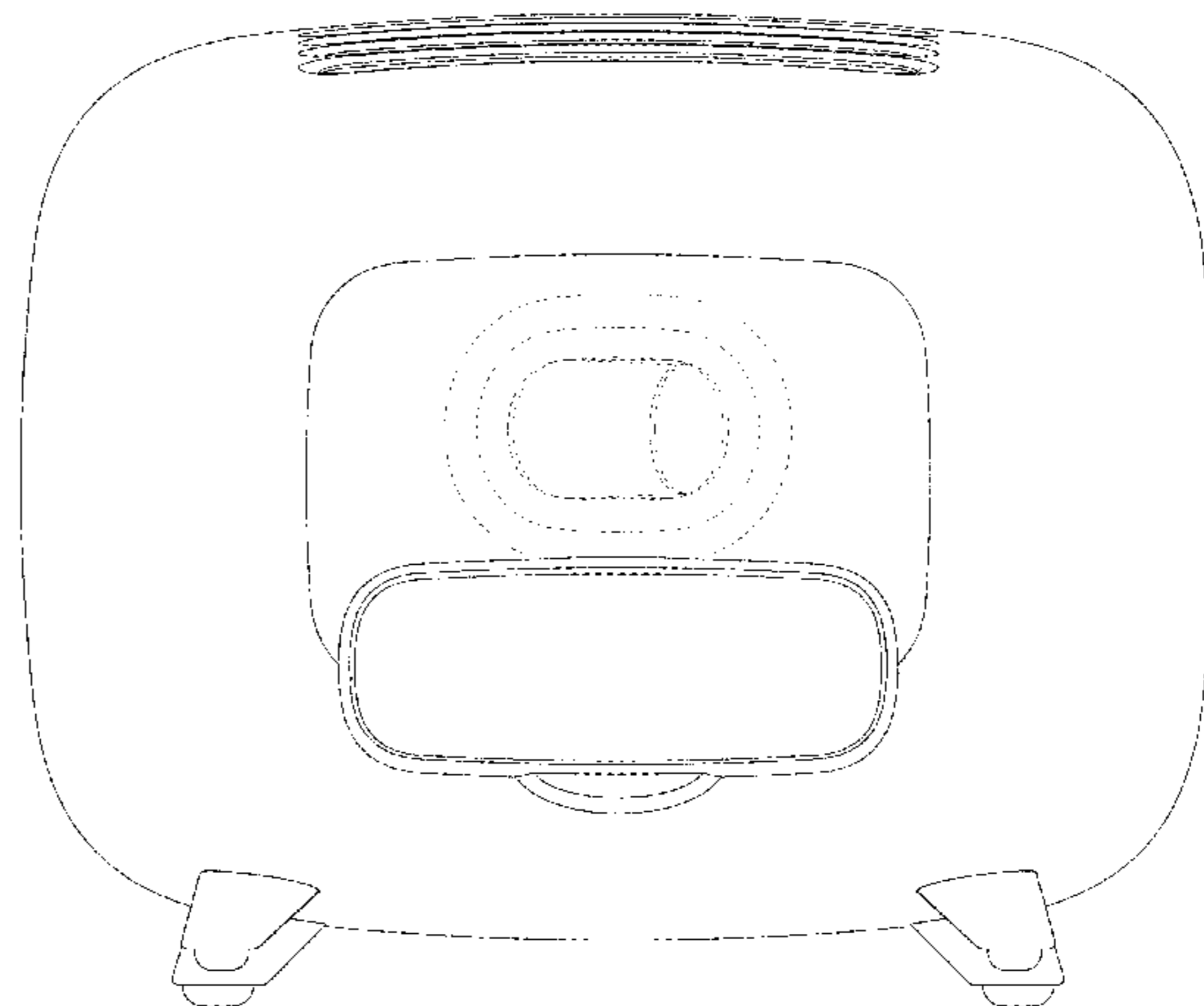
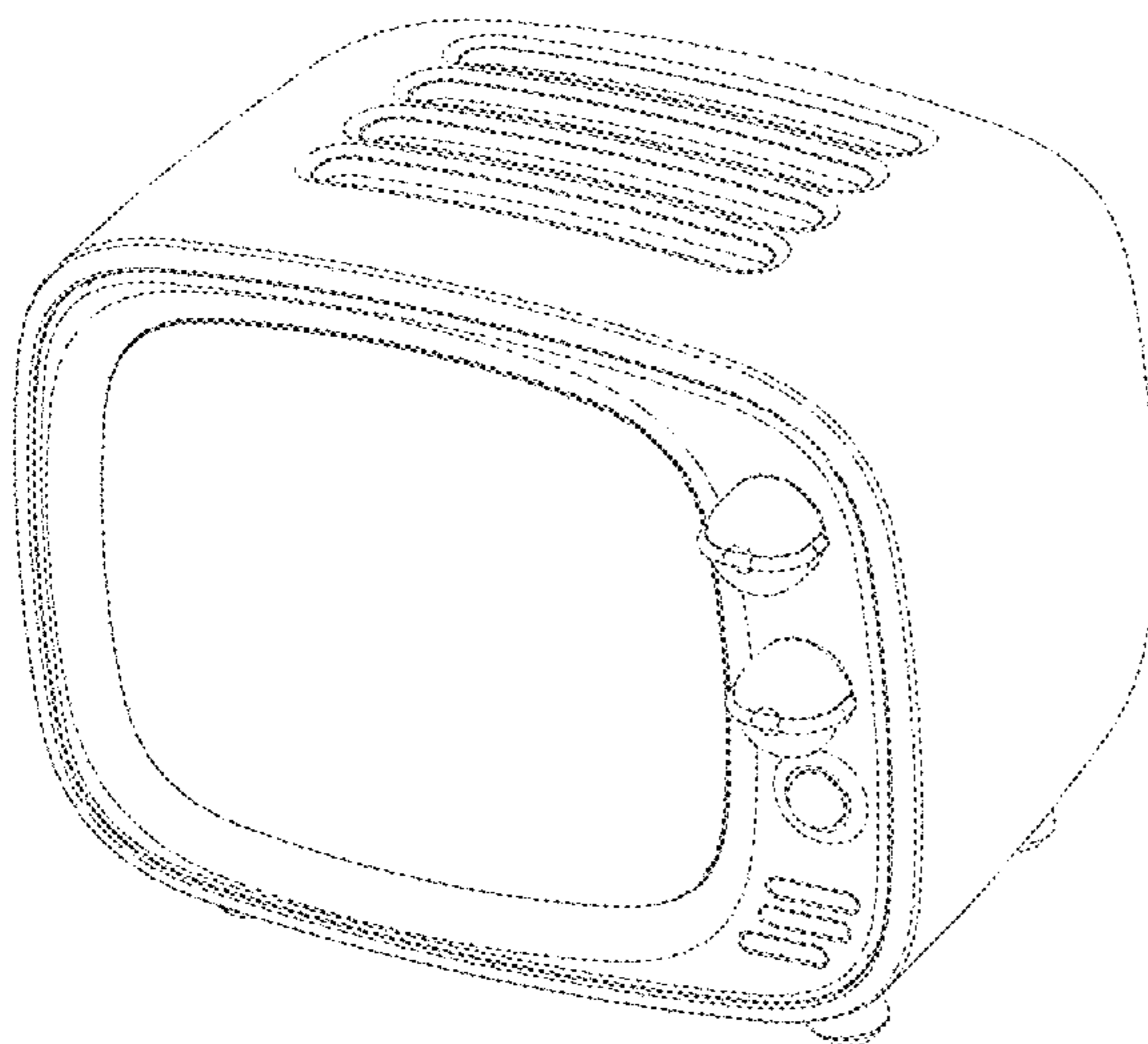
(57) **CLAIM**

The ornamental design for a wireless speaker, as shown and described.

DESCRIPTION

FIG. 1 is a perspective view of a wireless speaker in accordance with the present invention; FIG. 2 is a front view of the wireless speaker of FIG. 1; FIG. 3 is a back view of the wireless speaker of FIG. 1; FIG. 4 is a left side view of the wireless speaker of FIG. 1; FIG. 5 is a right side view of the wireless speaker of FIG. 1; FIG. 6 is a top view of the wireless speaker of FIG. 1; and, FIG. 7 is a bottom view of the wireless speaker of FIG. 1. The broken lines in FIG. 3 are for the purpose of illustrating environmental features and form no part of the claimed design.

1 Claim, 7 Drawing Sheets



(58) **Field of Classification Search**
 CPC 2499/15; H04R 1/023; H04R 5/00; H04R
 2420/07; H04S 3/00; H04S 7/30
 See application file for complete search history.

(56) **References Cited**

U.S. PATENT DOCUMENTS

D307,006 S * 4/1990 Lee D14/126
 D332,607 S * 1/1993 Yamazaki D14/210
 5,937,074 A * 8/1999 Carver H03F 1/0227
 181/148
 D414,771 S * 10/1999 Hoyt D14/214
 D436,096 S * 1/2001 Nagele D14/214
 D484,484 S * 12/2003 Green D14/204
 D540,300 S * 4/2007 Amid-Hozour D14/188
 D572,232 S * 7/2008 Joseph D14/188
 D573,585 S * 7/2008 Belanger D14/215
 D596,196 S * 7/2009 Laituri D14/168
 D597,066 S * 7/2009 Millen D14/188
 D618,252 S * 6/2010 Bradford D14/203.1
 D636,595 S * 4/2011 van der Lande D3/211
 D638,403 S * 5/2011 Hoehn D14/215
 D645,841 S * 9/2011 Joseph D14/171
 D648,743 S * 11/2011 Chang D14/168
 D656,124 S * 3/2012 Smith D14/204
 D755,157 S * 5/2016 Redmon D14/204

D756,966 S * 5/2016 Feng D14/214
 D768,112 S * 10/2016 Azhari D14/215
 D773,429 S * 12/2016 Holzer D14/171
 D797,586 S * 9/2017 Umezawa D10/76
 D816,058 S * 4/2018 Zeng D14/155
 D828,329 S * 9/2018 Zeng D14/214
 D842,265 S * 3/2019 Becker D14/204
 D842,266 S * 3/2019 Becker D14/204
 D845,267 S * 4/2019 Zeng D14/194
 D848,877 S * 5/2019 Umezawa D10/76

OTHER PUBLICATIONS

Awesome Animated Speaker I Divoom Tivoo Smart Pixel Speaker,
 YouTube.com, GH Tech Review, Published on Aug. 6, 2018,
 [online], [site visited Jun. 5, 2019]. URL: https://www.youtube.com/watch?v=rC_MDC1frwk (Year: 2018).*

Save \$20 on This Retro-style Bluetooth Speaker That Looks Like a
 TV Set, Technabob.com, Aug. 27, 2018 by Nick Perry, [online], [site
 visited Jun. 5, 2019]. URL: <https://technabob.com/blog/2018/08/27/save-20-retro-bluetooth-speaker/> (Year: 2018).*

Kikkerland KRL29-CDU Retro TV Keychain, Amazon.com, Date
 First Available: Aug. 25, 2017, [online], [site visited Jun. 5, 2019].
 URL: <https://www.amazon.com/Kikkerland-KRL29-CDU-Retro-Tv-Keychain/dp/B012TU7KUG> (Year: 2017).*

* cited by examiner

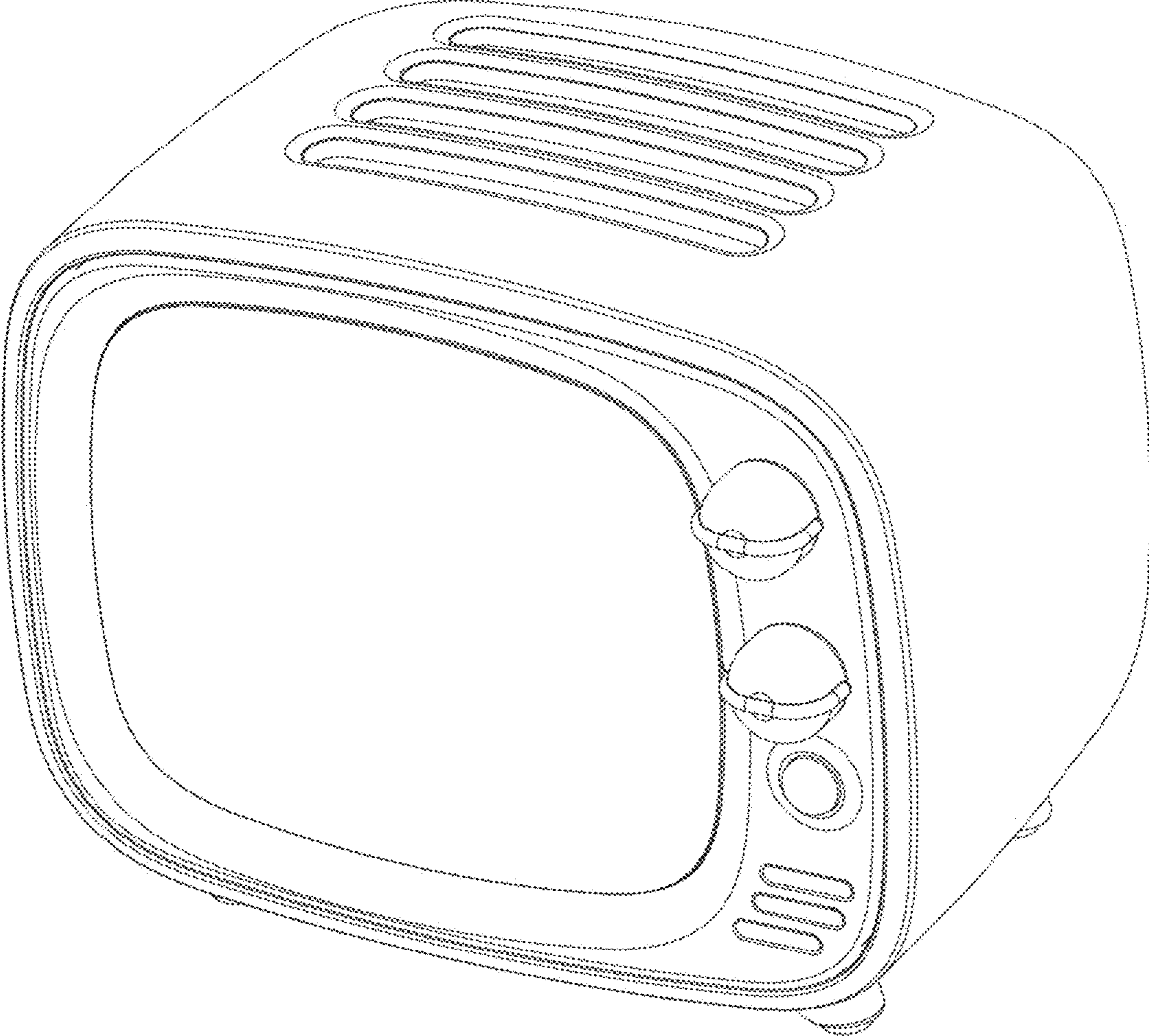


FIG. 1

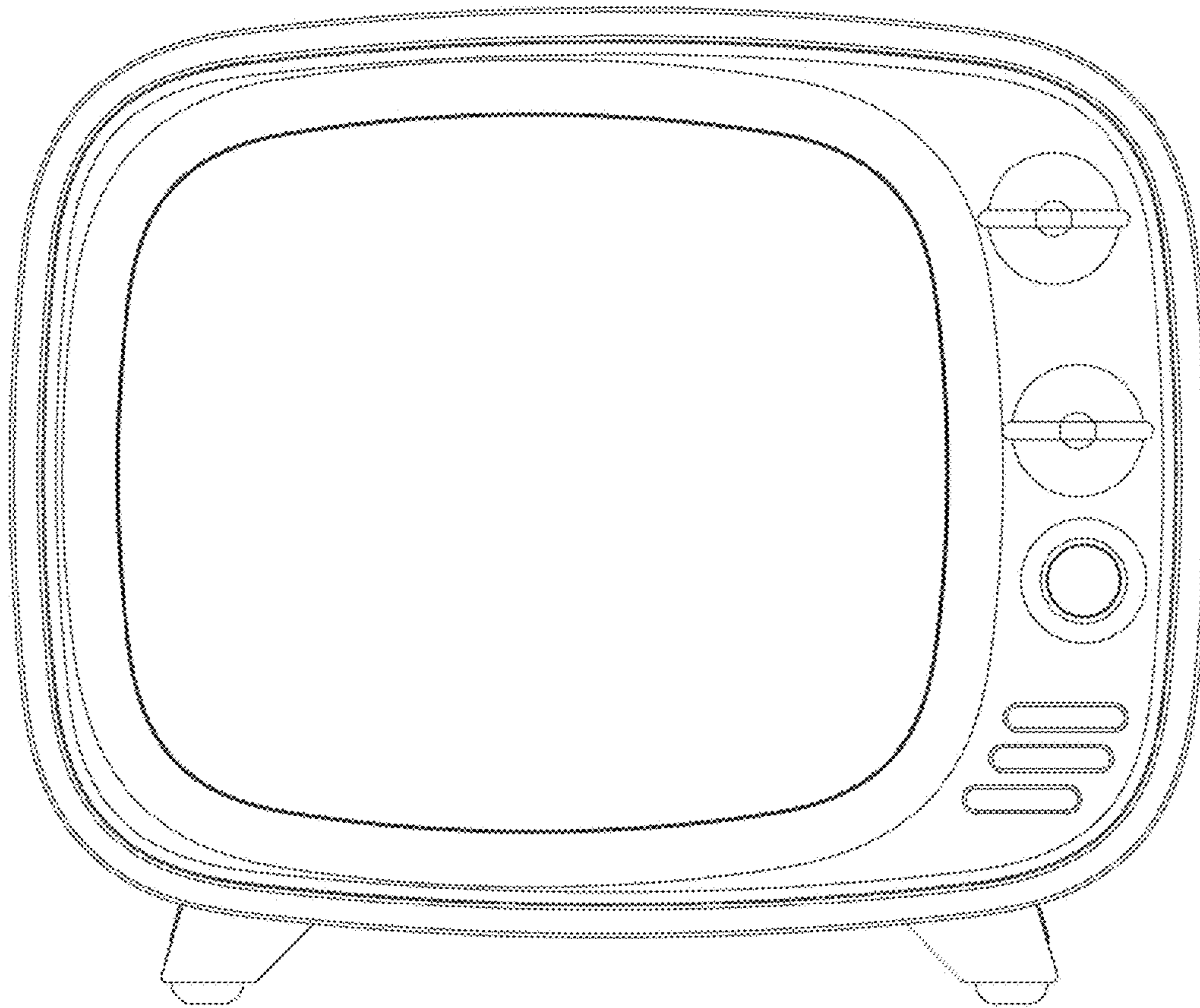


FIG.2

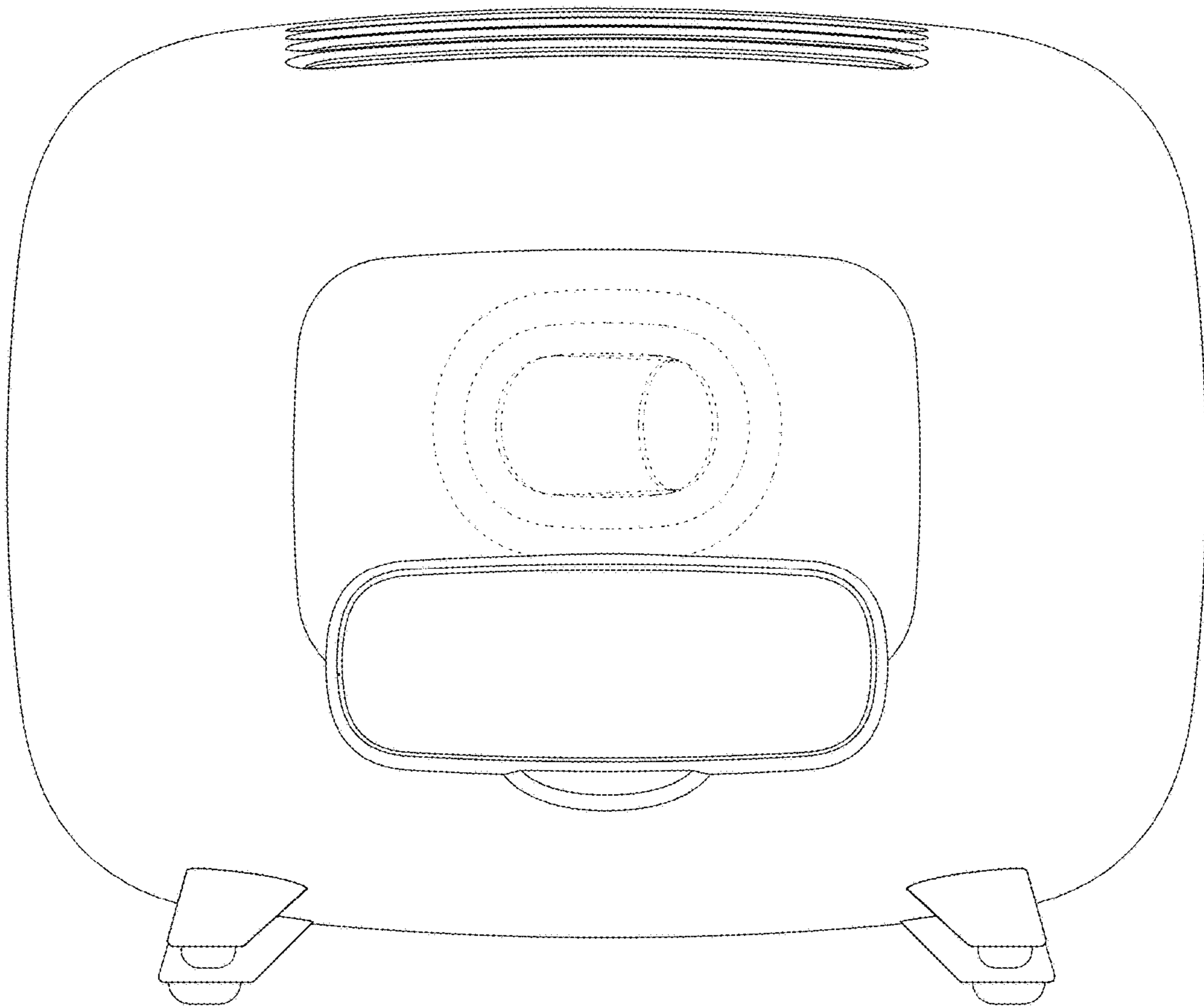


FIG.3

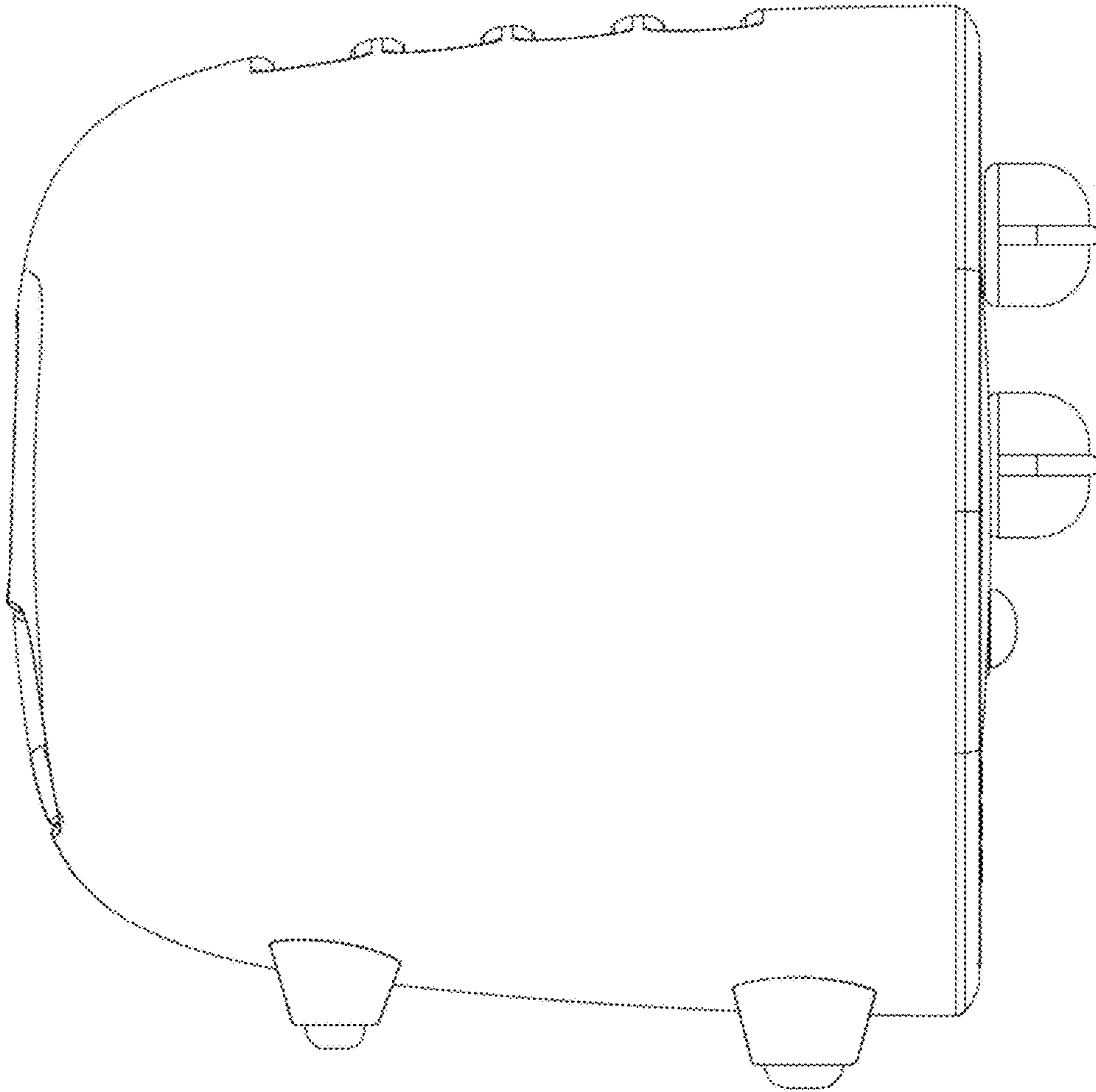


FIG.4

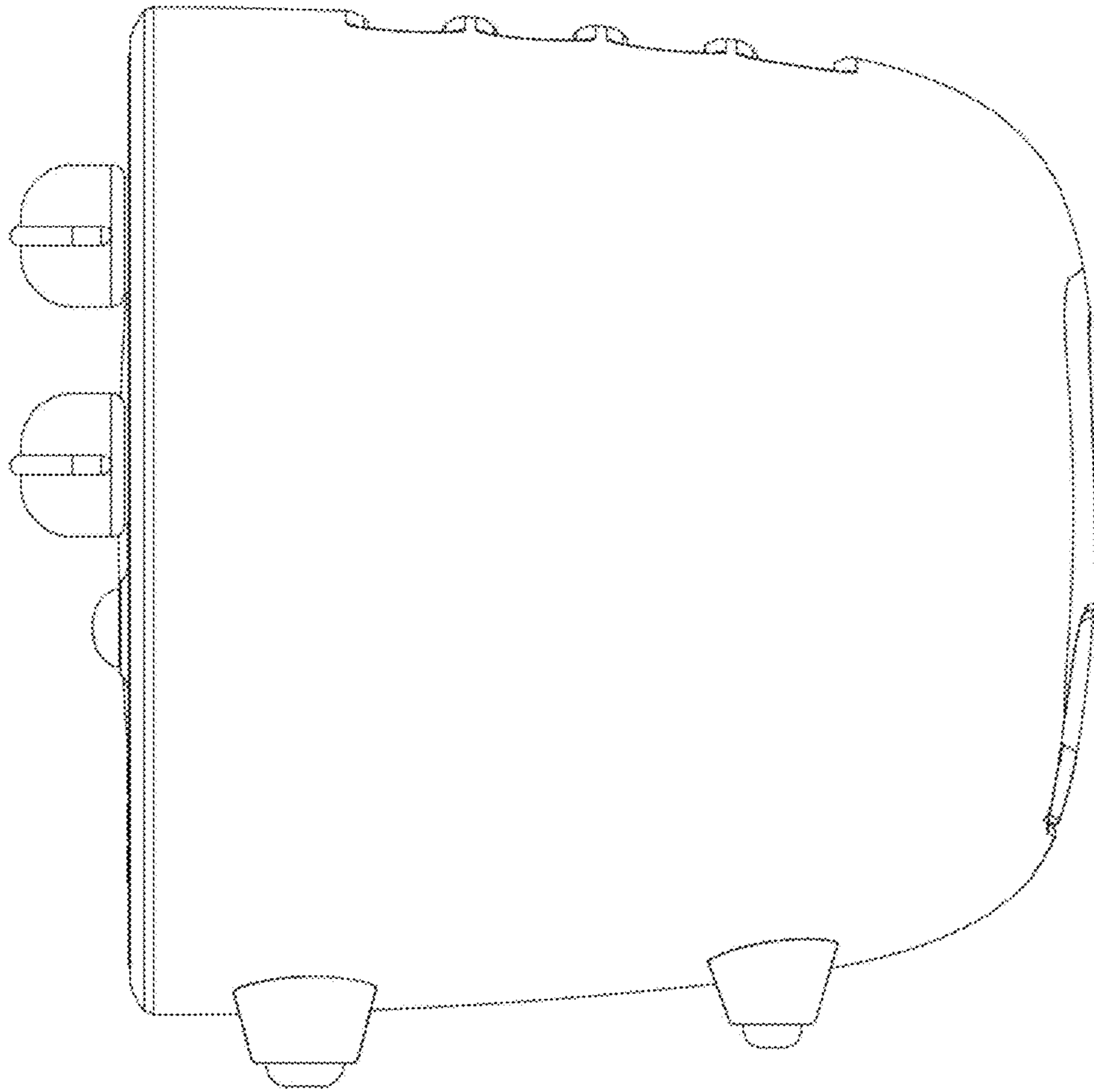


FIG. 5

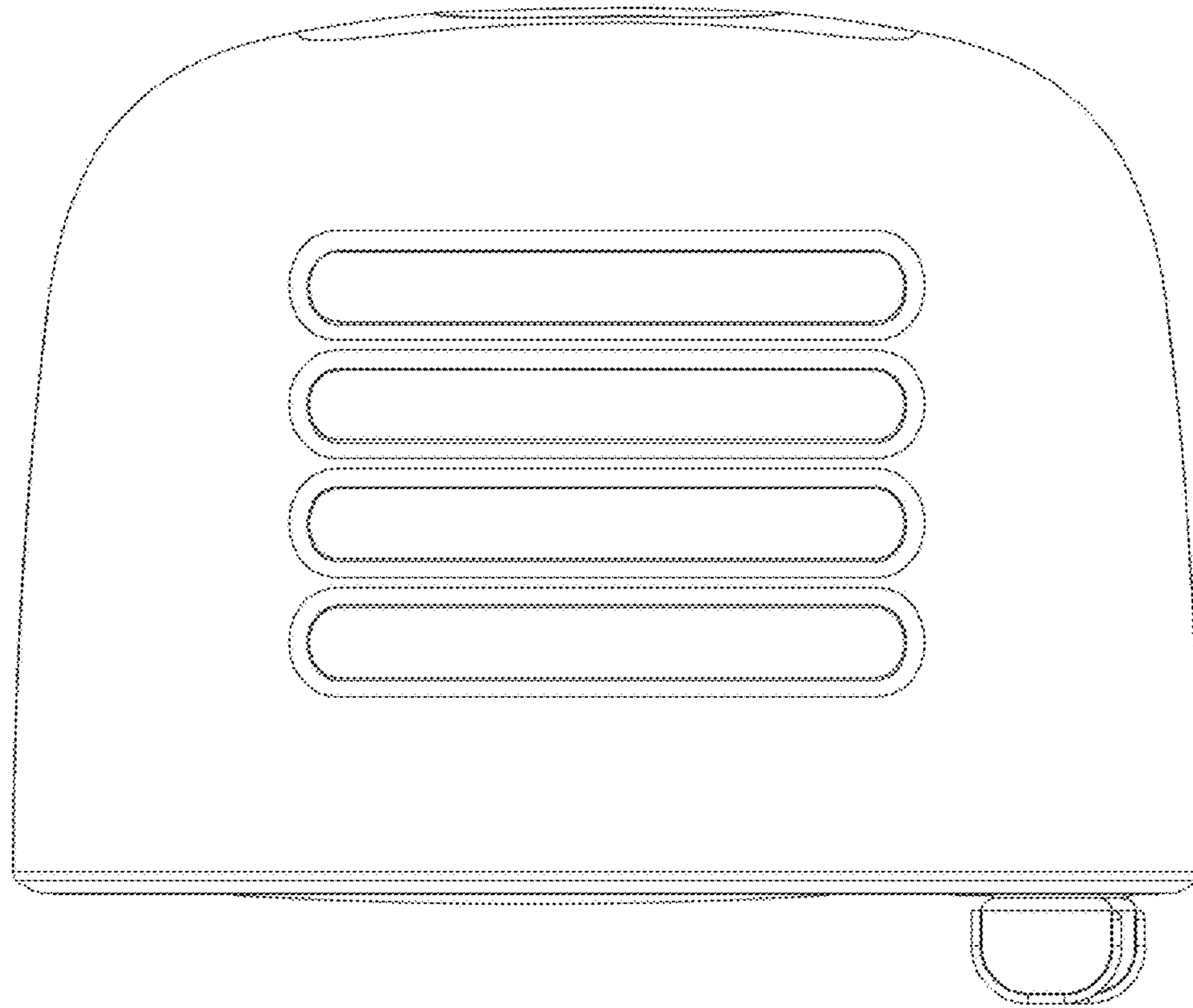


FIG. 6

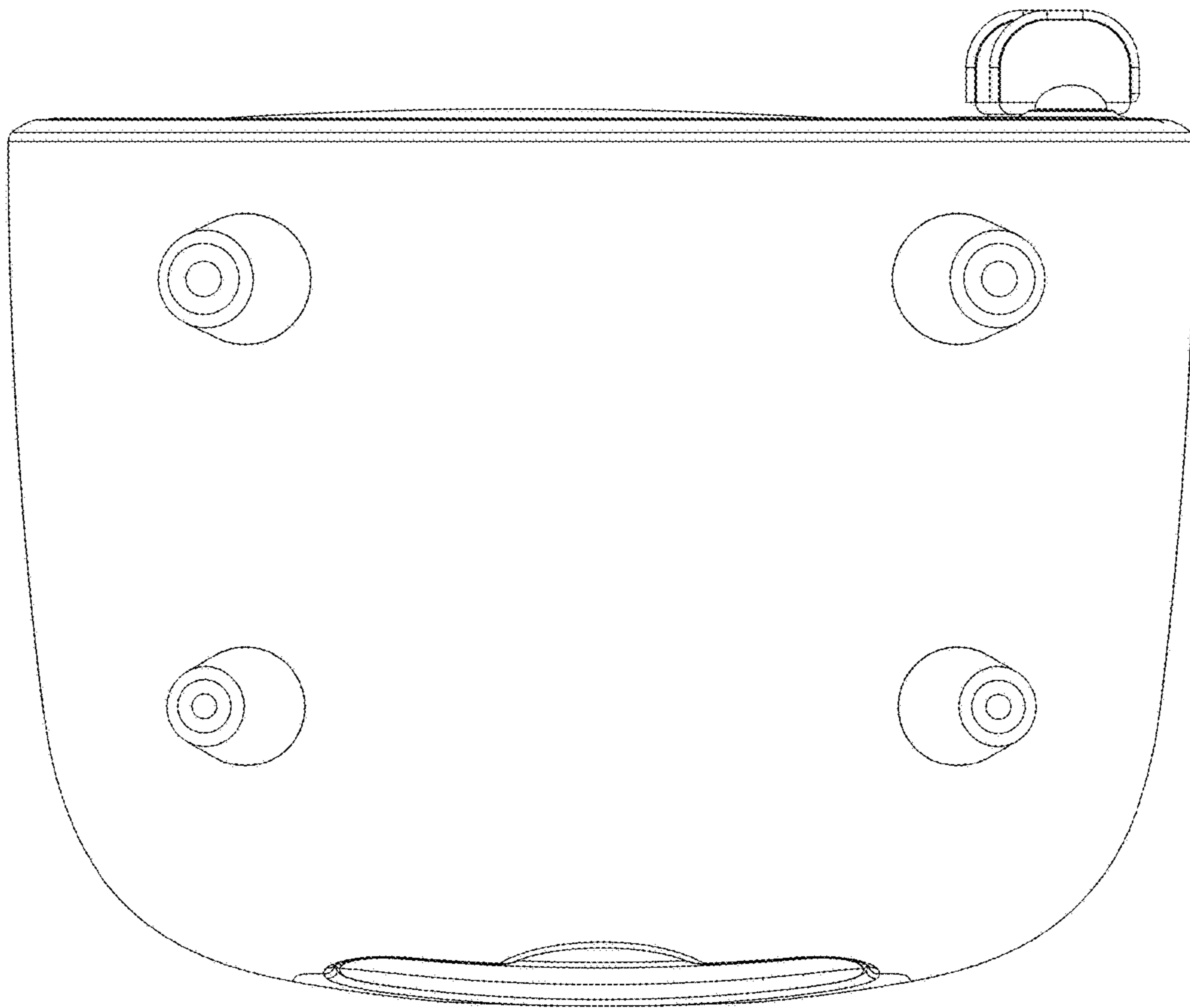


FIG.7