



US00D875706S

(12) **United States Design Patent** (10) **Patent No.:** **US D875,706 S**  
**Muramoto** (45) **Date of Patent:** **\*\* Feb. 18, 2020**

(54) **AMPLIFIER**

(71) Applicant: **Alpine Electronics, Inc.**, Tokyo (JP)

(72) Inventor: **Masatada Muramoto**, Tokyo (JP)

(73) Assignee: **Alpine Electronics, Inc.**, Tokyo (JP)

(\*\*) Term: **15 Years**

(21) Appl. No.: **29/675,461**

(22) Filed: **Jan. 2, 2019**

(51) **LOC (12) Cl.** ..... **14-03**

(52) **U.S. Cl.**  
USPC ..... **D14/188**

(58) **Field of Classification Search**

USPC ..... D14/167, 168, 170–172, 187, 188,  
D14/194–196, 204, 207, 209.1, 210–216,  
D14/219, 221, 222, 224, 239, 496;  
181/143, 144, 147, 148, 150, 153, 157,  
181/198, 199; 381/300–303, 306, 332,  
381/333, 336, 345, 361–364, 386–388;  
369/6–12

CPC ..... B60R 11/0217; G06F 1/1688; G10K 9/22;  
G10K 11/004; H03F 1/327; H04M 1/03;  
H04M 1/035; H04N 5/642; H04N  
21/4852; H04R 1/02; H04R 1/06; H04R  
1/021; H04R 1/025; H04R 1/026; H04R  
1/028; H04R 1/105; H04R 1/323; H04R  
1/403; H04R 1/2803; H04R 1/2834;  
H04R 5/02; H04R 7/20; H04R 9/06;  
H04R 9/025; H04R 2201/021; H04R  
2400/00; H04R 2400/07; H04R 2499/11;  
H04R 2499/13; H04R 2499/15; H04S  
3/00; H04S 7/30

See application file for complete search history.

(56) **References Cited**

U.S. PATENT DOCUMENTS

D349,119 S \* 7/1994 Eberle ..... D14/188  
D431,237 S \* 9/2000 Honjo ..... D14/167

D535,282 S 1/2007 Ichikawa et al.  
D537,437 S \* 2/2007 Yoon ..... D14/214  
D549,687 S 8/2007 Ichikawa  
D551,205 S 9/2007 Ichikawa  
D554,604 S \* 11/2007 Sogabe ..... D14/168  
D563,334 S \* 3/2008 Wang ..... D14/125  
D566,685 S \* 4/2008 Koller ..... D14/168  
D610,125 S 2/2010 Ichikawa et al.  
D634,729 S 3/2011 Endo et al.  
D656,121 S \* 3/2012 Sugita ..... D14/188  
D665,377 S 8/2012 Endo et al.  
D666,166 S \* 8/2012 Harada ..... D14/188  
D712,869 S 9/2014 Muramoto  
D727,870 S 4/2015 Muramoto  
D754,094 S \* 4/2016 Cho ..... D14/188  
D754,095 S \* 4/2016 Cho ..... D14/188  
D762,188 S \* 7/2016 Cho ..... D14/188  
D809,473 S \* 2/2018 Kim ..... D14/203.7  
D813,836 S \* 3/2018 Suzuki ..... D14/188

\* cited by examiner

*Primary Examiner* — Katie Jane Stofko

(74) *Attorney, Agent, or Firm* — Brinks Gilson & Lione

(57) **CLAIM**

The ornamental design for an amplifier, as shown and described.

**DESCRIPTION**

FIG. 1 is a perspective view of an amplifier showing the new design;

FIG. 2 is a front view thereof;

FIG. 3 is a rear view thereof;

FIG. 4 is a right-side view thereof;

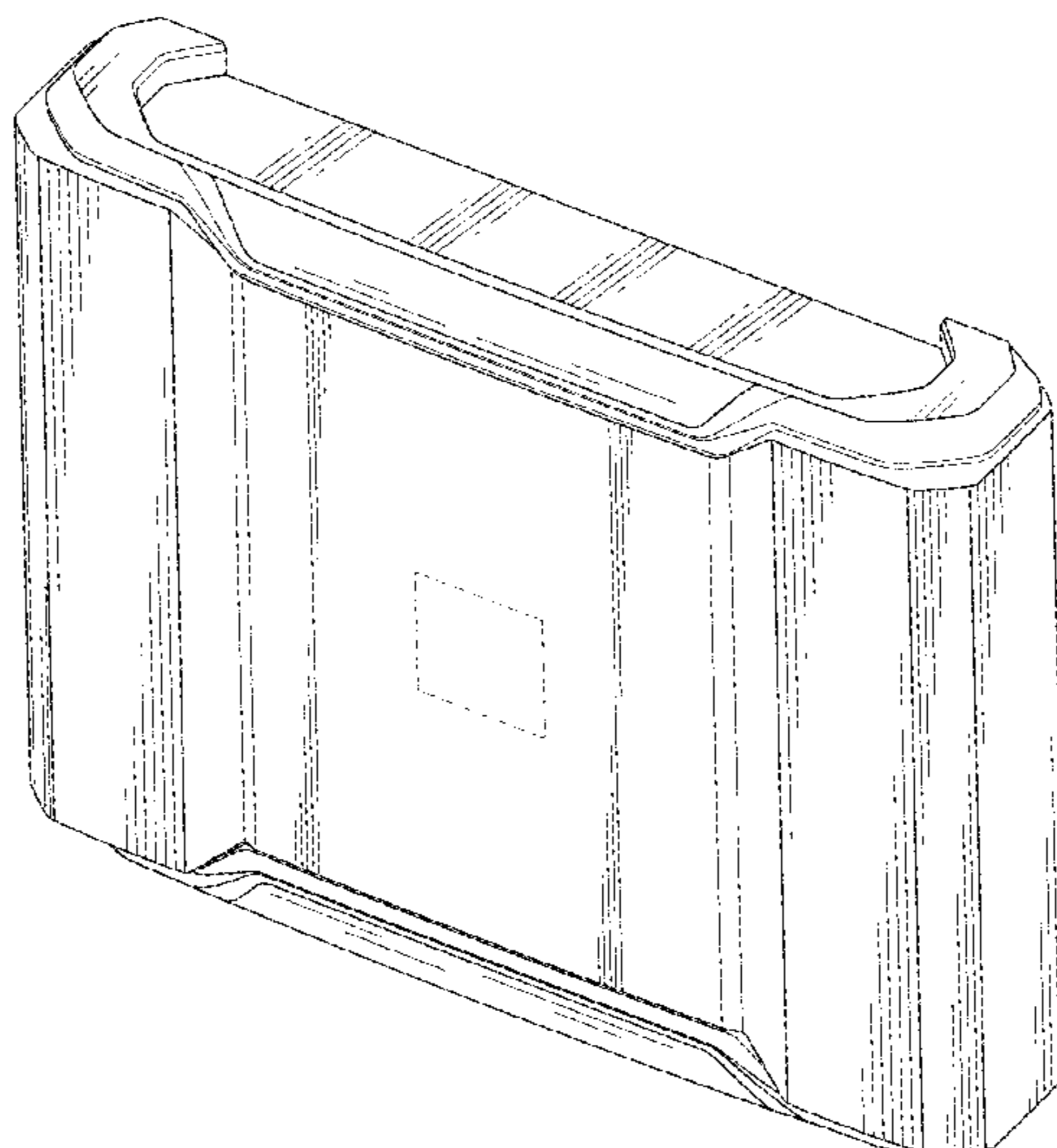
FIG. 5 is a left-side view thereof;

FIG. 6 is a top view thereof; and,

FIG. 7 is a bottom view thereof.

The broken lines in the drawings illustrate portions of the amplifier that form no part of the claimed design.

**1 Claim, 4 Drawing Sheets**



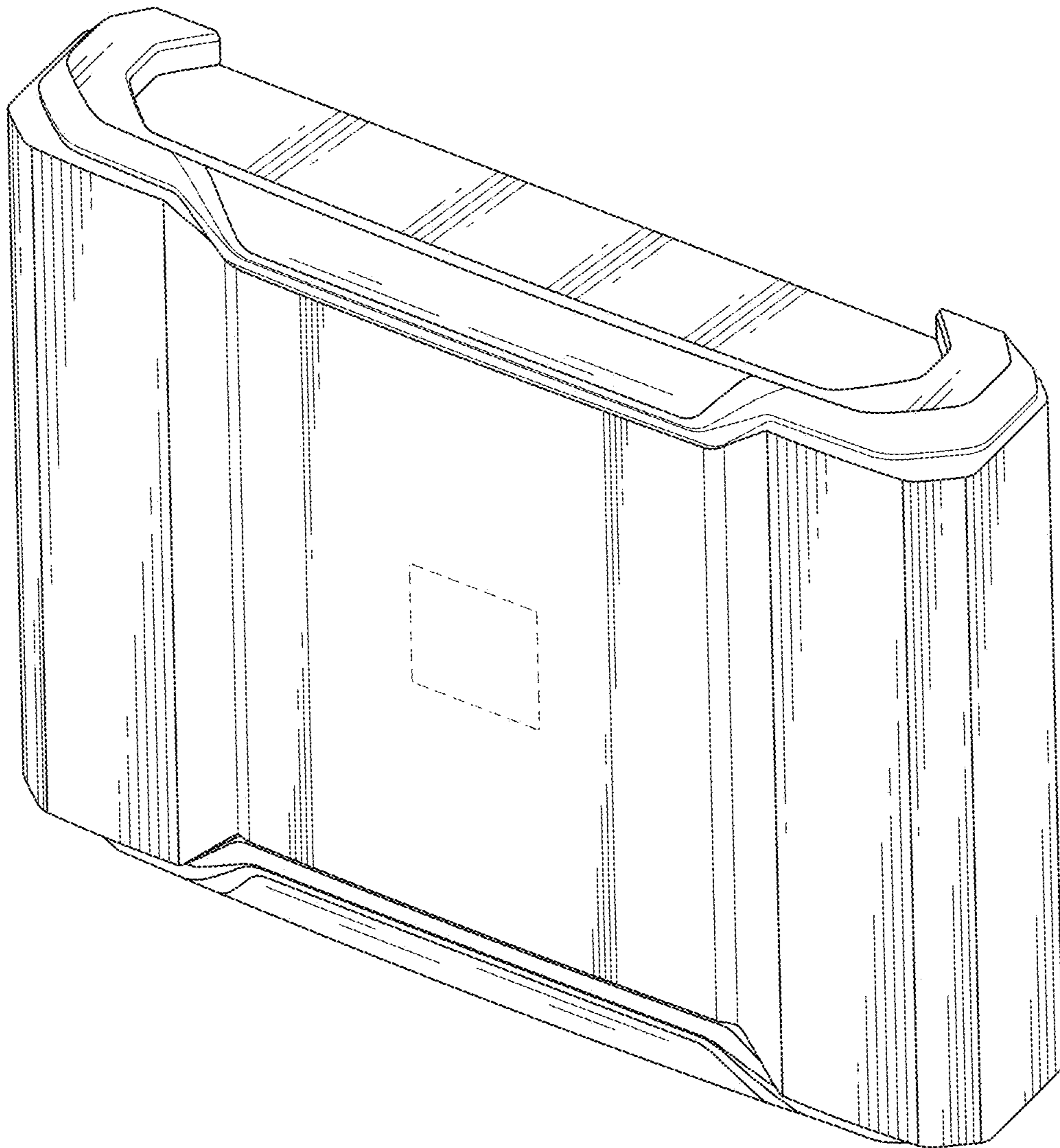


FIG. 1

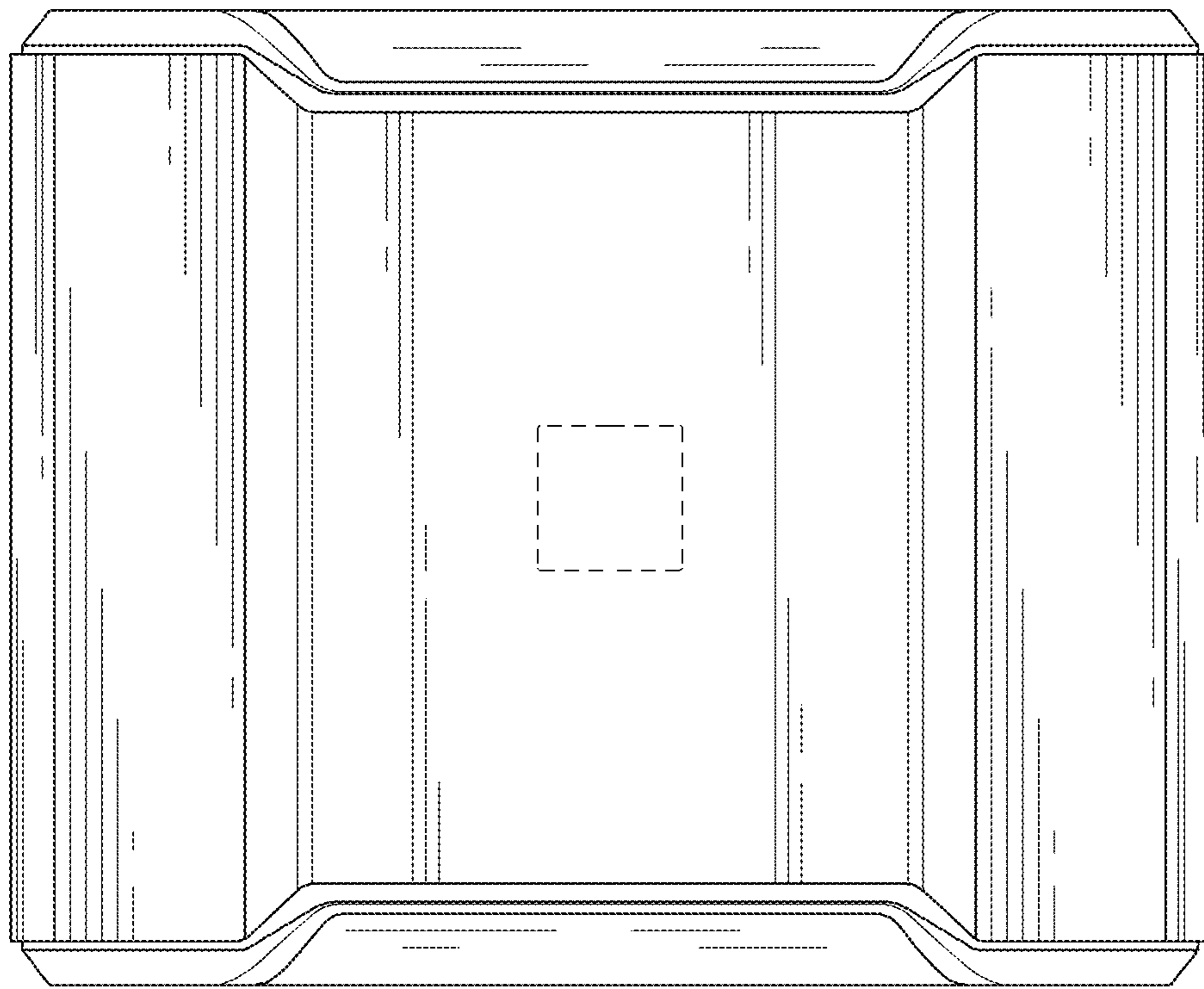


FIG. 2



FIG. 3

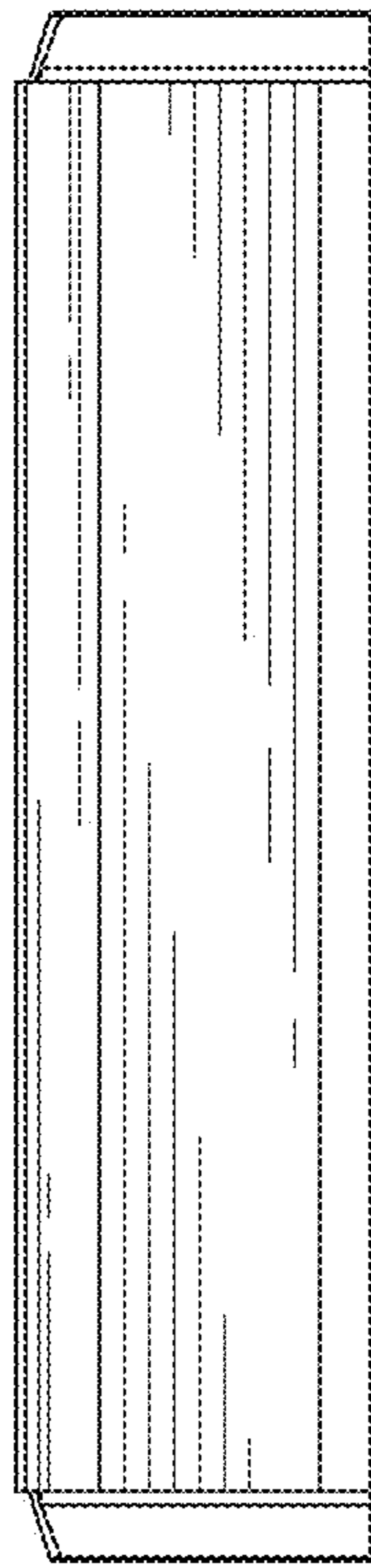


FIG. 4

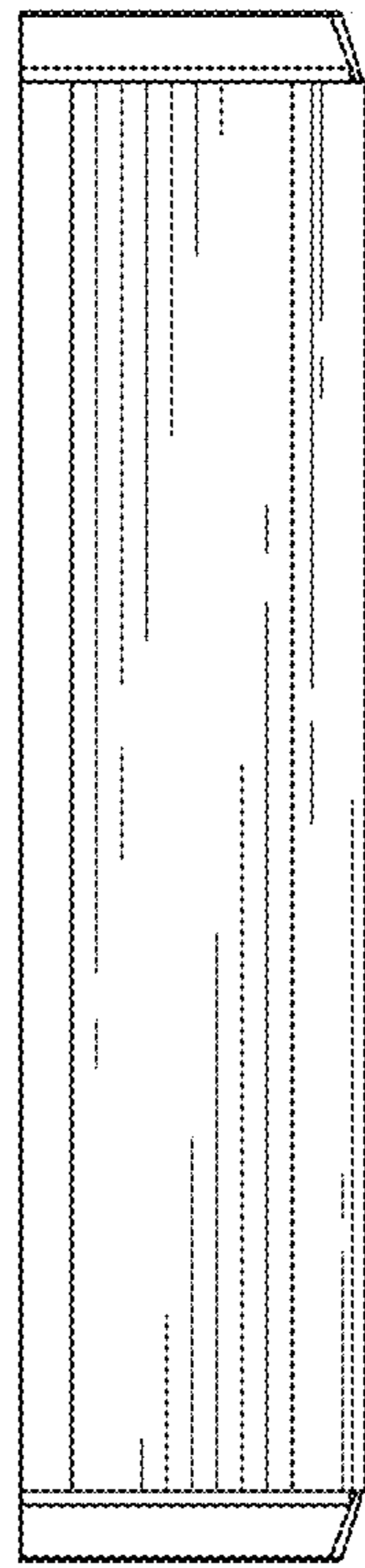


FIG. 5

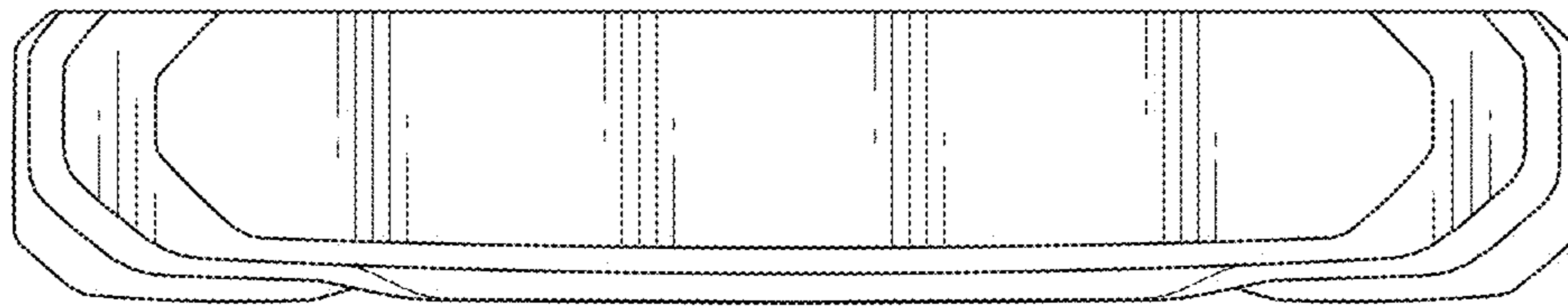


FIG. 6

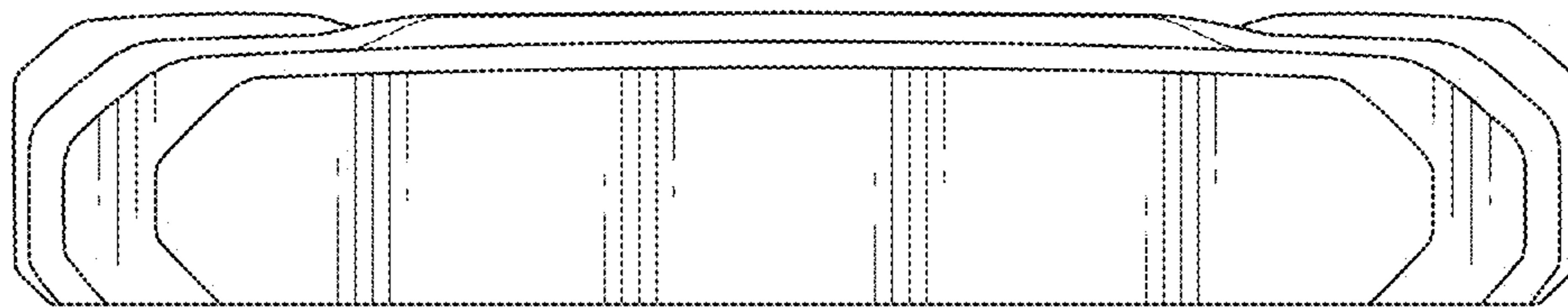


FIG. 7