



US00D875699S

(12) **United States Design Patent**
Hong

(10) **Patent No.:** **US D875,699 S**

(45) **Date of Patent:** **** Feb. 18, 2020**

(54) **WALKIE TALKIE**

(71) Applicant: **Shaohua Hong**, Fujian (CN)

(72) Inventor: **Shaohua Hong**, Fujian (CN)

(**) Term: **15 Years**

(21) Appl. No.: **29/668,668**

(22) Filed: **Nov. 1, 2018**

(30) **Foreign Application Priority Data**

May 30, 2018 (CN) 2018 3 0264009

(51) **LOC (12) Cl.** **14-03**

(52) **U.S. Cl.**
USPC **D14/137**

(58) **Field of Classification Search**
USPC D14/137, 138 R, 138 AA, 138 AD
CPC .. H04B 1/3833; H04B 1/3827; H04B 1/3855;
H04B 2001/3861; H04M 1/0202; H04M
1/03; H04M 1/035
See application file for complete search history.

(56) **References Cited**

U.S. PATENT DOCUMENTS

D527,366 S * 8/2006 Lee D14/138 AD
D711,346 S * 8/2014 Ismail D14/137

D731,452 S * 6/2015 Yong D14/137
D738,357 S * 9/2015 Khairudin D14/226
D816,632 S * 5/2018 Yamamoto D14/137
D851,615 S * 6/2019 Lee D14/137
D859,340 S * 9/2019 Siponen D14/137
2010/0291883 A1* 11/2010 Lim H04B 1/3833
455/90.2

FOREIGN PATENT DOCUMENTS

CN 303612500 * 3/2016

* cited by examiner

Primary Examiner — Bridget L Eland

(57) **CLAIM**

The ornamental design for a walkie talkie, as shown.

DESCRIPTION

FIG. 1 is a front elevational view of a walkie talkie showing my new design;
FIG. 2 is a rear elevational view thereof;
FIG. 3 is a left side view thereof;
FIG. 4 is a right side view thereof;
FIG. 5 is a top plan view thereof;
FIG. 6 is a bottom plan view thereof;
FIG. 7 is a perspective view thereof;
FIG. 8 is a second perspective view thereof; and,
FIG. 9 is a third perspective view thereof.

1 Claim, 8 Drawing Sheets

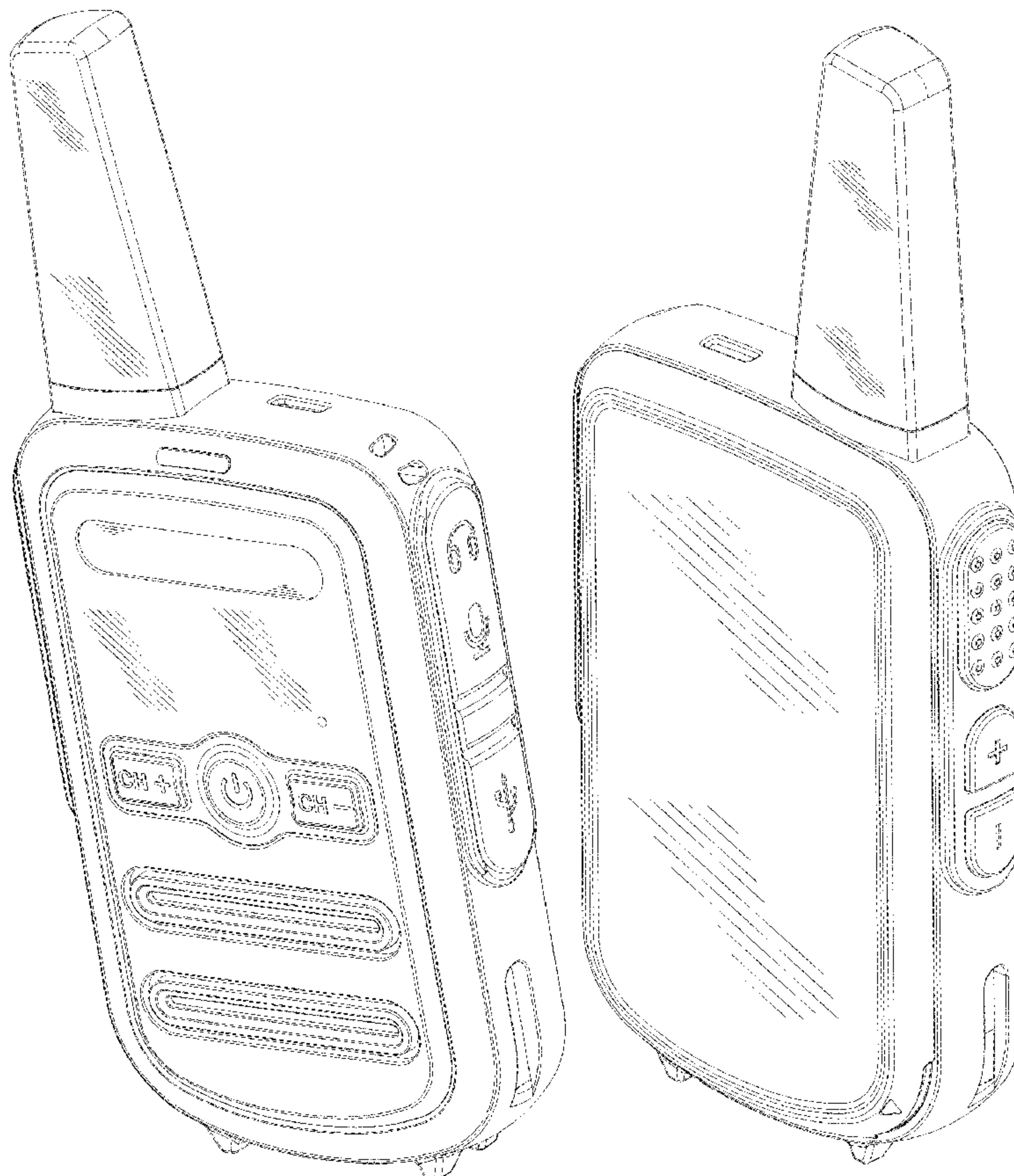




Fig. 1

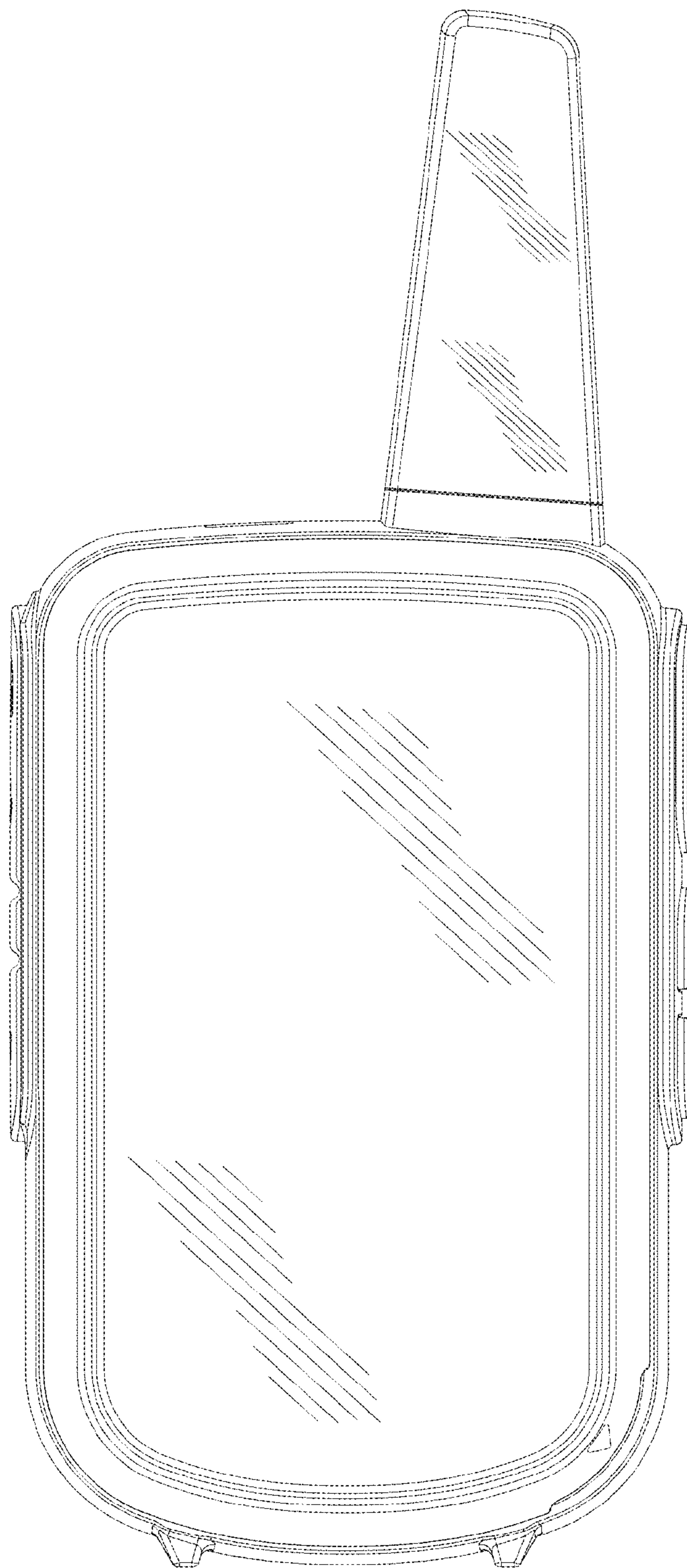


Fig. 2

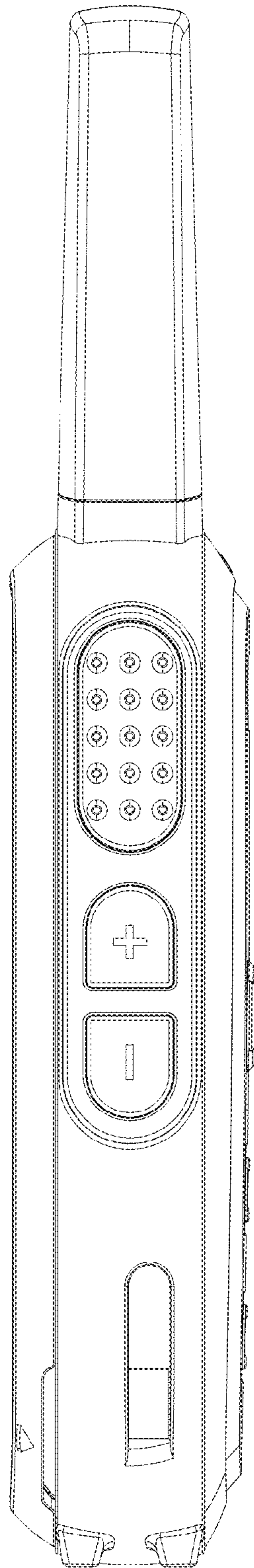


Fig. 3

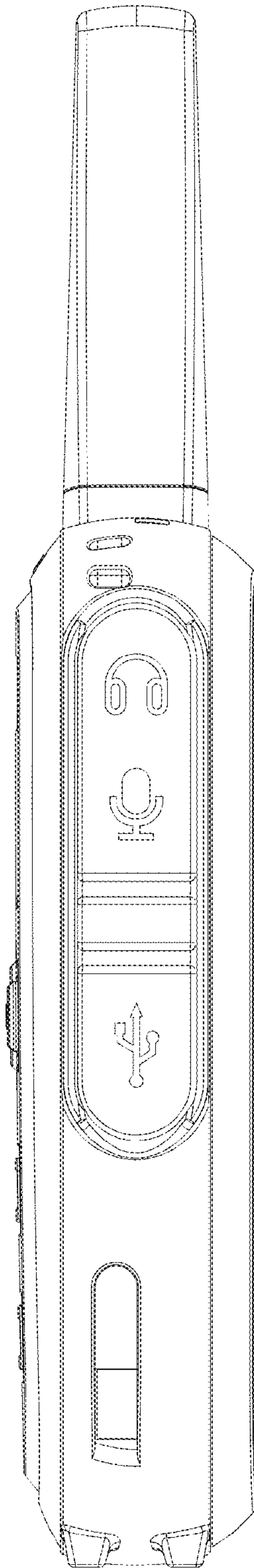


Fig. 4

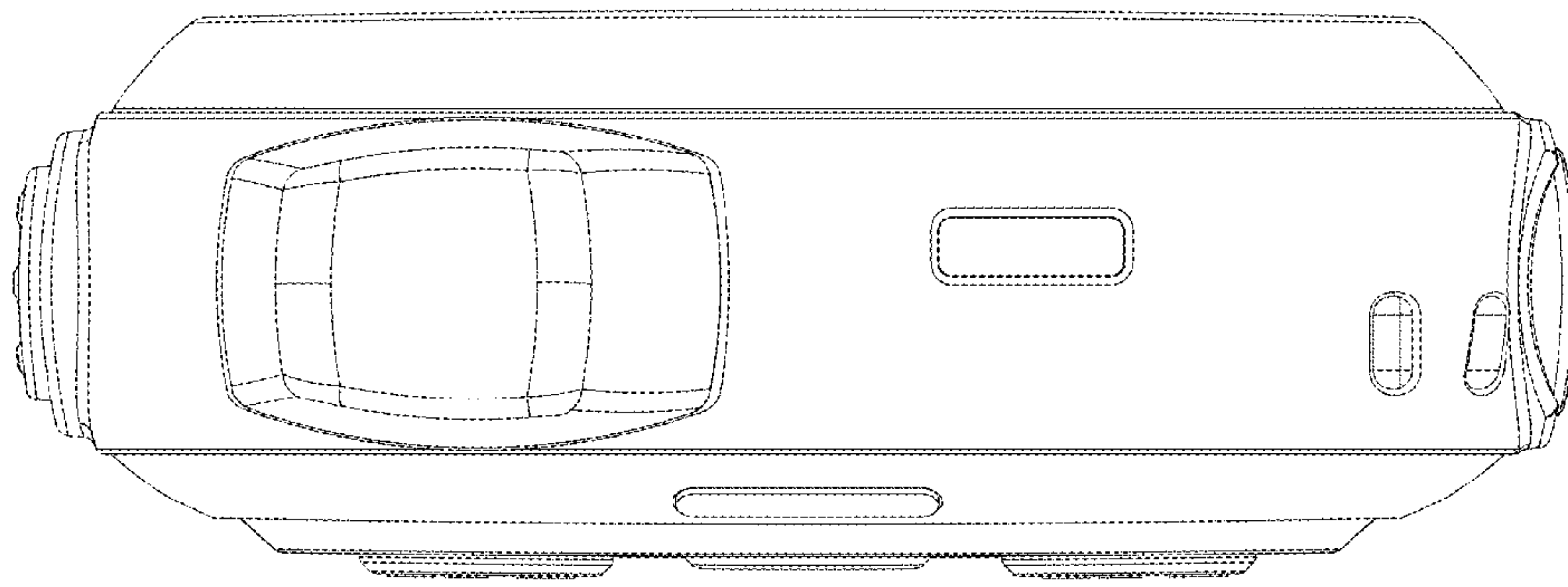


Fig. 5

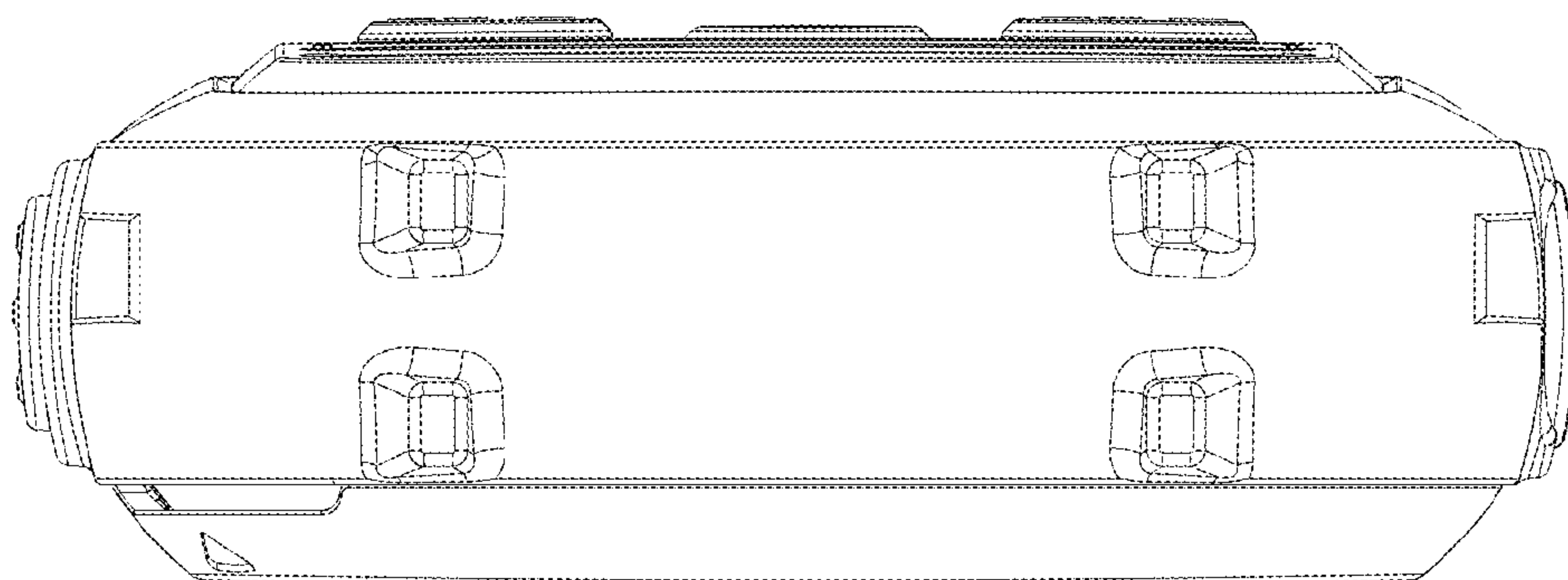


Fig. 6



Fig. 7

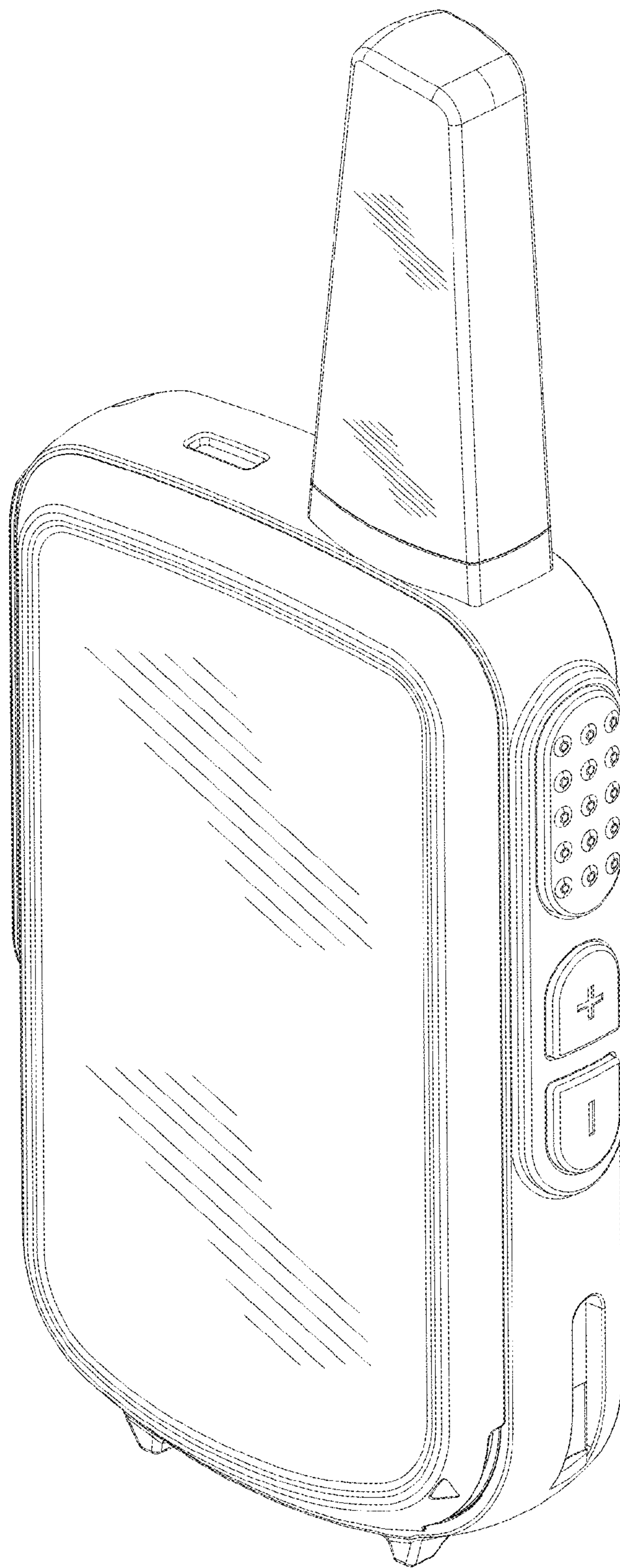


Fig. 8

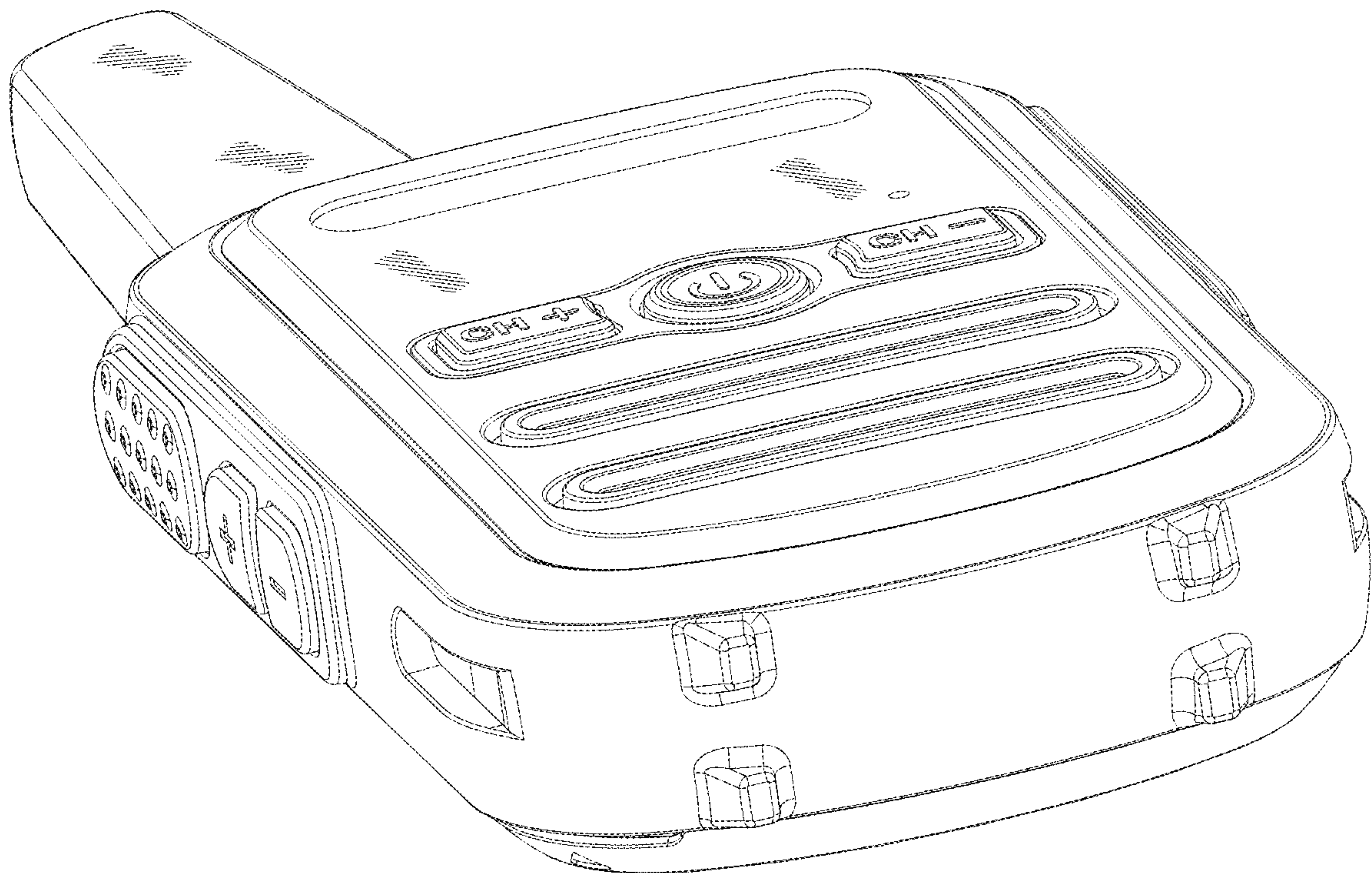


Fig. 9