



US00D875698S

(12) **United States Design Patent** (10) **Patent No.:** **US D875,698 S**
Kang et al. (45) **Date of Patent:** **** Feb. 18, 2020**

(54) **TELEVISION RECEIVER**

Primary Examiner — Michael A. Pratt

(71) Applicant: **LG ELECTRONICS INC.**, Seoul (KR)

(74) *Attorney, Agent, or Firm* — Birch, Stewart, Kolasch & Birch, LLP

(72) Inventors: **Seokkyu Kang**, Seoul (KR); **Seonkyu Kim**, Seoul (KR); **Yunjoo Kim**, Seoul (KR); **Jongho Kim**, Seoul (KR); **Minjae Lee**, Seoul (KR); **Hyunbyung Cha**, Seoul (KR)

(57) **CLAIM**

The ornamental design for a television receiver, as shown and described.

(73) Assignee: **LG ELECTRONICS INC.**, Seoul (KR)

DESCRIPTION

(**) Term: **15 Years**

- 1. Television receiver
- 1.1 : Perspective
- 1.2 : Front
- 1.3 : Back
- 1.4 : Left
- 1.5 : Top
- 1.6 : Bottom
- 1.7 : Reference view
- 1.8 : Perspective view 2
- 1.9 : Front view 2
- 1.10 : Back view 2
- 1.11 : Left view 2
- 1.12 : Top view 2
- 1.13 : Bottom view 2
- 1.14 : Reference view 2
- 1.15 : Reference view 3

(21) Appl. No.: **35/506,286**

(22) Filed: **Jul. 5, 2018**

(80) **Hague Agreement Data**

Int. Filing Date: **Jul. 5, 2018**
 Int. Reg. No.: **DM/102314**
 Int. Reg. Date: **Jul. 5, 2018**
 Int. Reg. Pub. Date: **Jan. 11, 2019**

The broken lines depict portions of the television receiver that form no part of the claimed design; this design is for a television receiver with a flexible display, and a speaker and a storage are provided at the bottom of the main body; reproductions 1.1 to 1.6 are front perspective, front, back, left, top and bottom views of the claimed design not in use in which the flexible display is curled inside the main body; reproduction 1.7 is a reference view showing a process in which the upper cover has been opened backward and the flexible display came up; reproductions 1.8 to 1.13 are front perspective, front, back, left, top and bottom views of the claimed design in use, in condition that the upper cover has been opened and the flexible display came up; reproductions 1.14 and 1.15 are reference views showing the display moves up and down depending on the aspect ratio of the content being played; the reference views, reproductions

(30) **Foreign Application Priority Data**

Jan. 5, 2018 (KR) 30-2018-0000983

(51) **LOC (12) Cl.** **14-02**

(52) **U.S. Cl.**
USPC **D14/126**

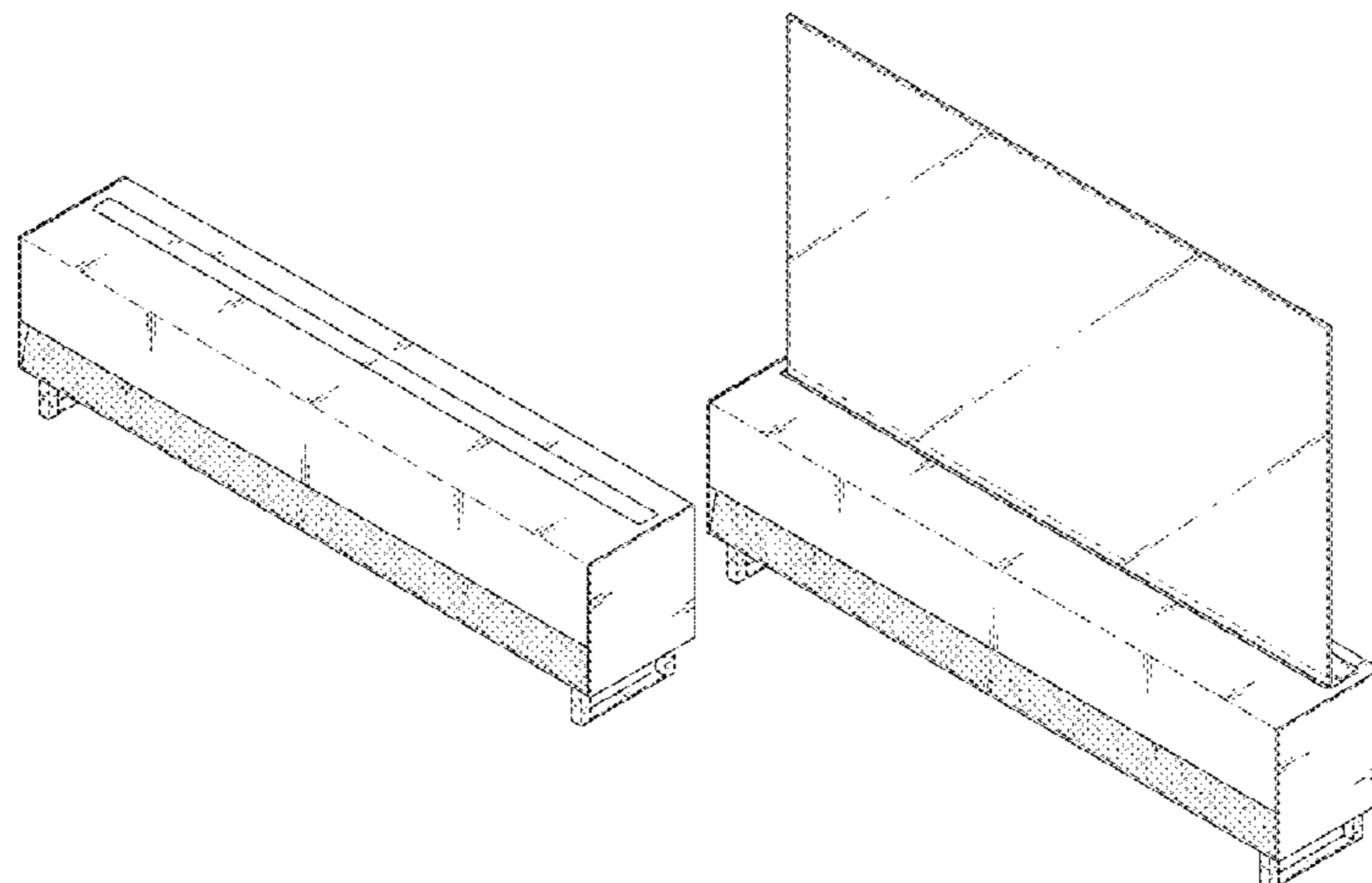
(58) **Field of Classification Search**
USPC D14/126, 132, 336, 371, 374, 377
(Continued)

(56) **References Cited**

U.S. PATENT DOCUMENTS

D761,222 S * 7/2016 Yoo D14/126
 D776,072 S * 1/2017 Kim D14/126
 (Continued)

(Continued)



1.7, 1.14 and 1.15, form no part of the claimed design; the right views are omitted because they are mirror images of the left views.

1 Claim, 15 Drawing Sheets

(58) **Field of Classification Search**

CPC G06F 2203/04102; G09F 9/301; H04M
1/0279; H04M 1/0281; H04M 1/0283

See application file for complete search history.

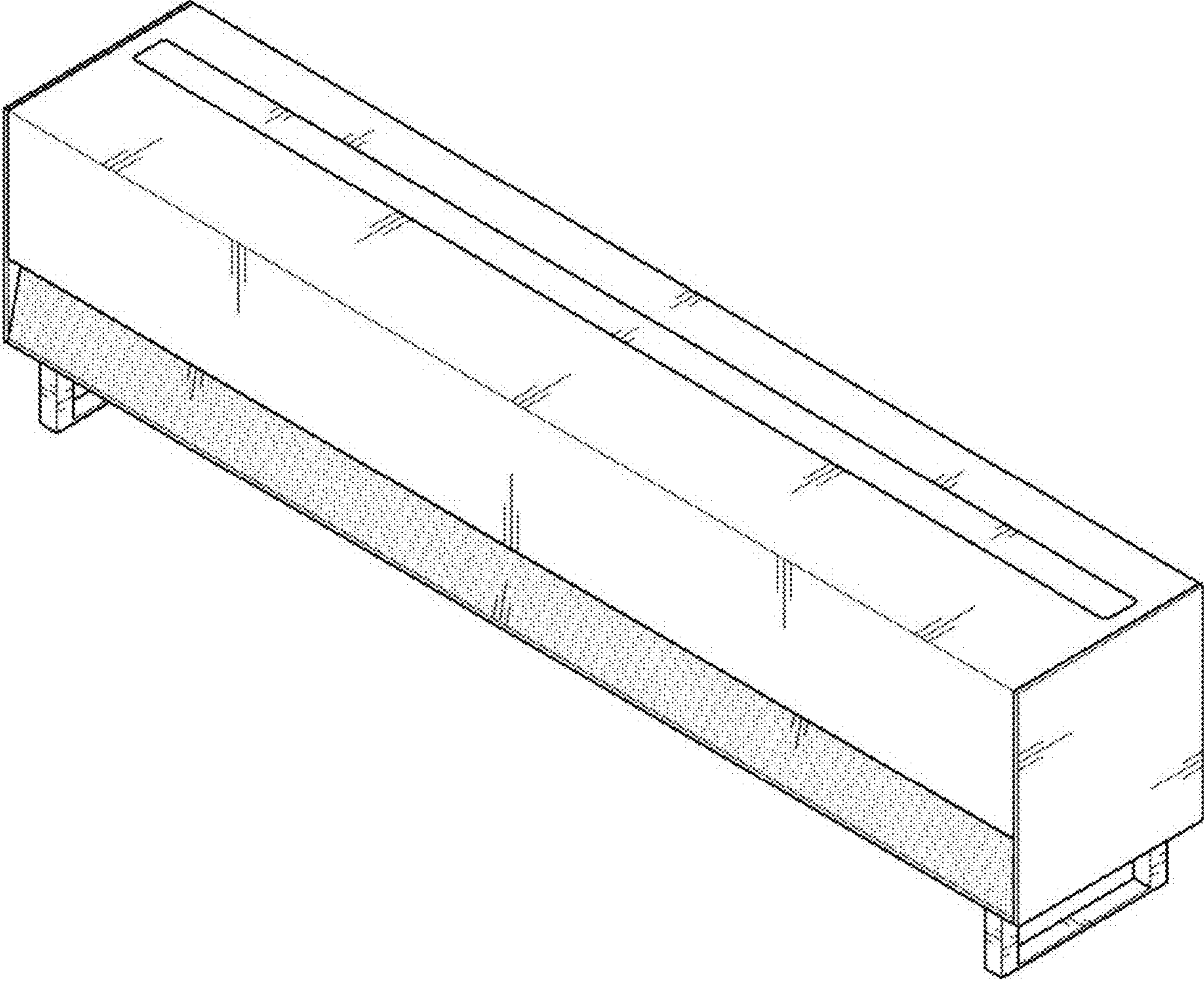
(56) **References Cited**

U.S. PATENT DOCUMENTS

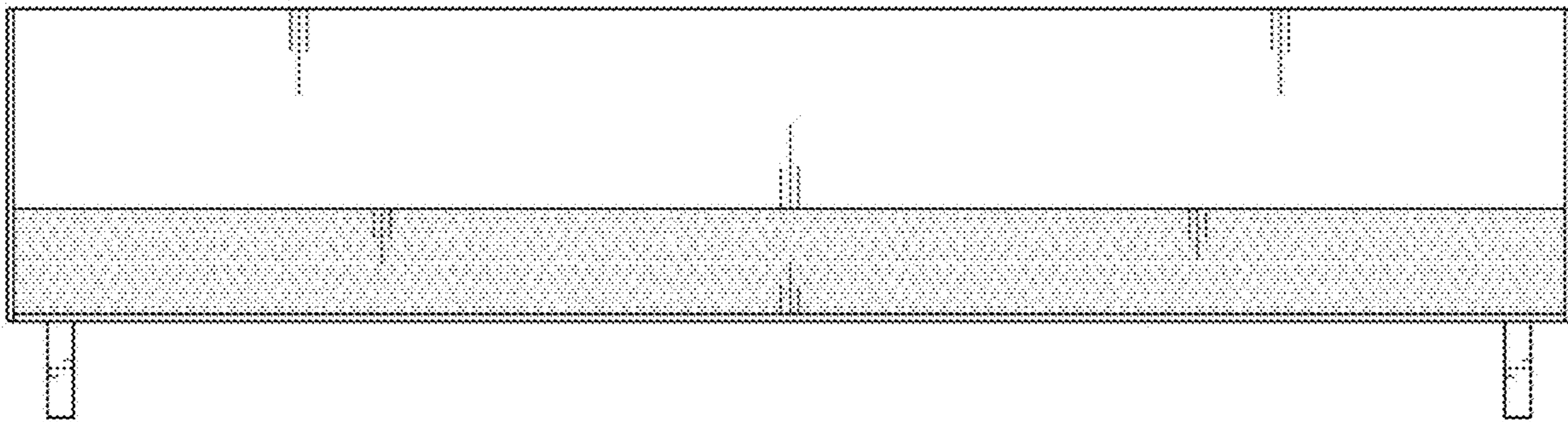
| | | | | | |
|------------|---|---------|---------|-------|---------|
| D802,549 S | * | 11/2017 | Kim | | D14/126 |
| D813,832 S | * | 3/2018 | Kim | | D14/126 |
| D818,977 S | * | 5/2018 | Kim | | D14/126 |
| D833,433 S | * | 11/2018 | Catania | | D14/374 |

* cited by examiner

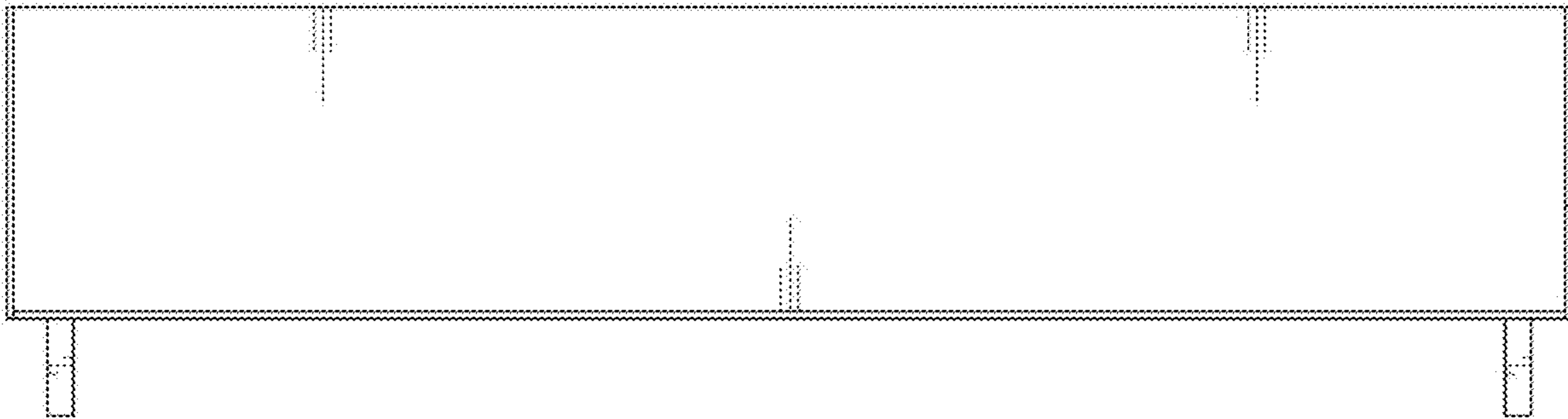
1.1



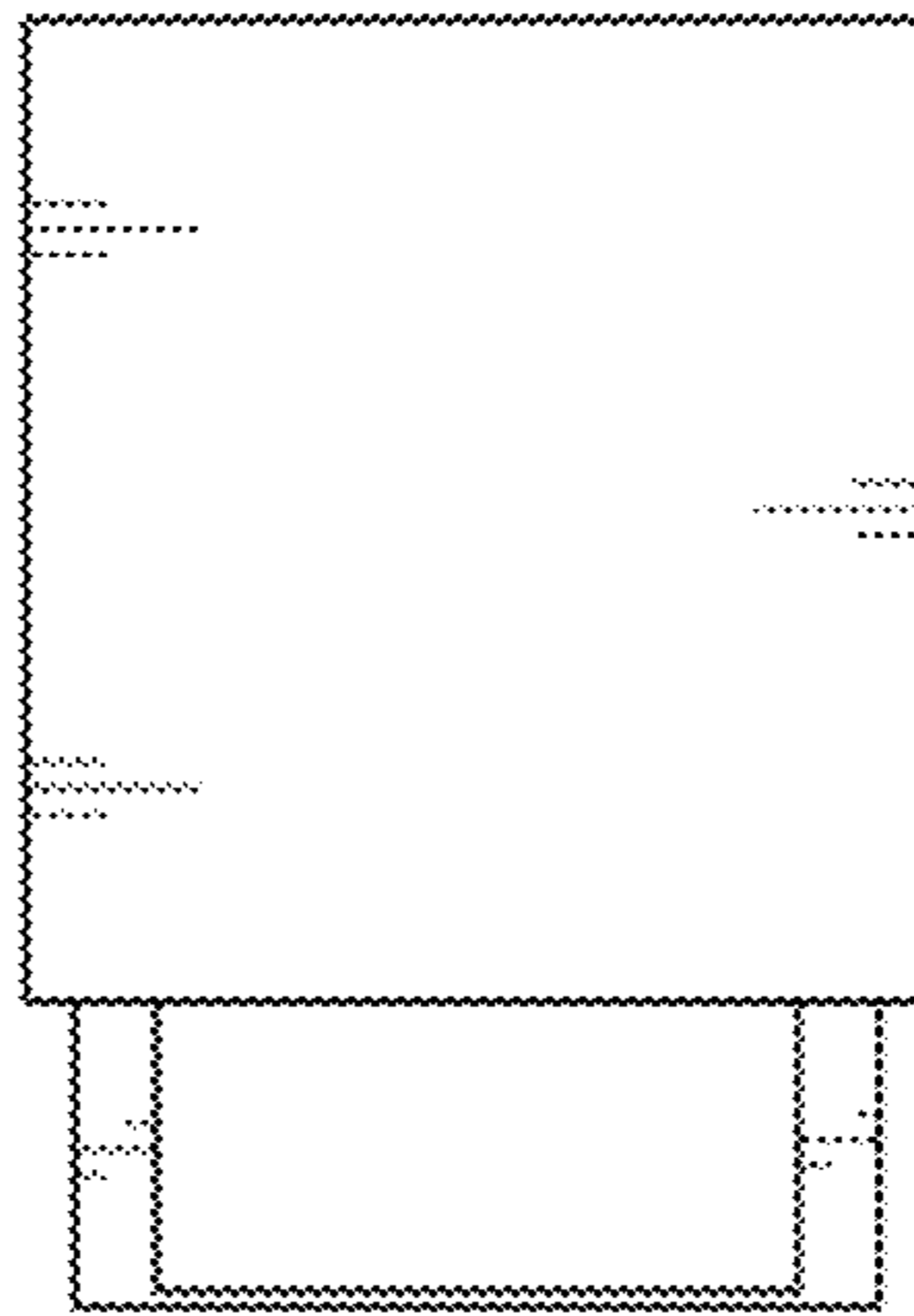
1.2



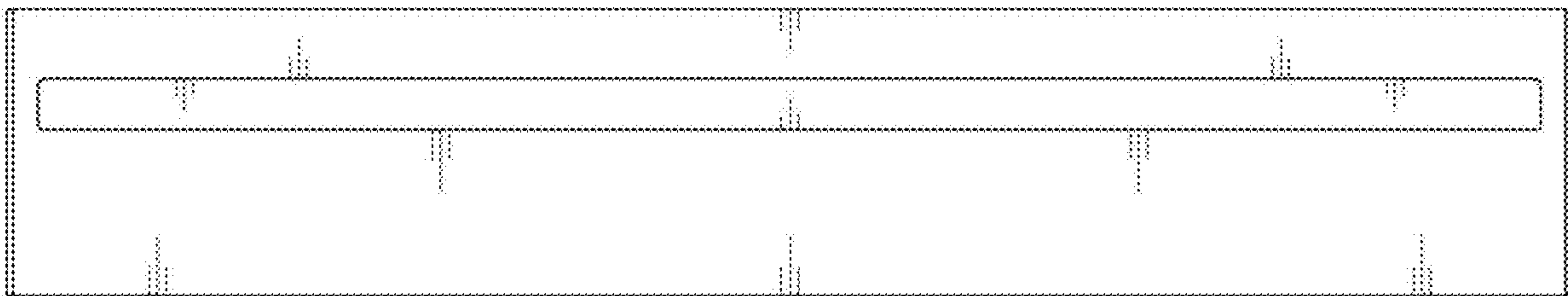
1.3



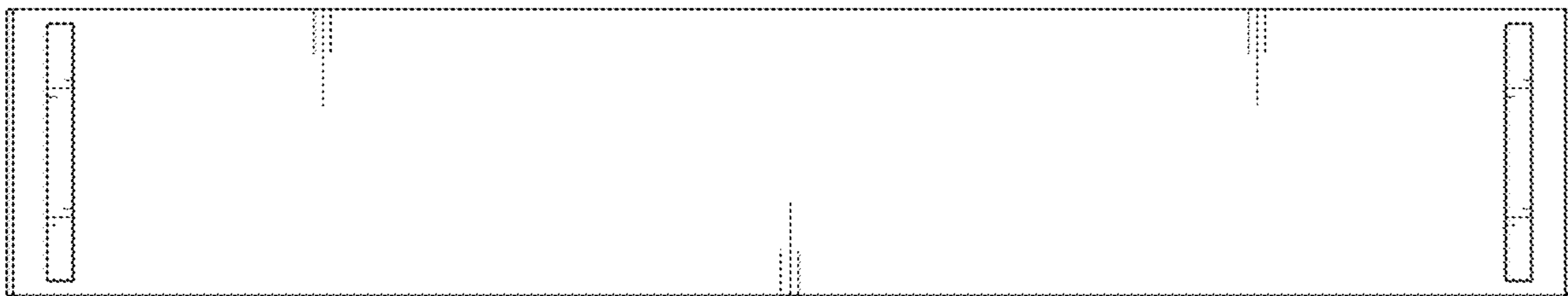
1.4



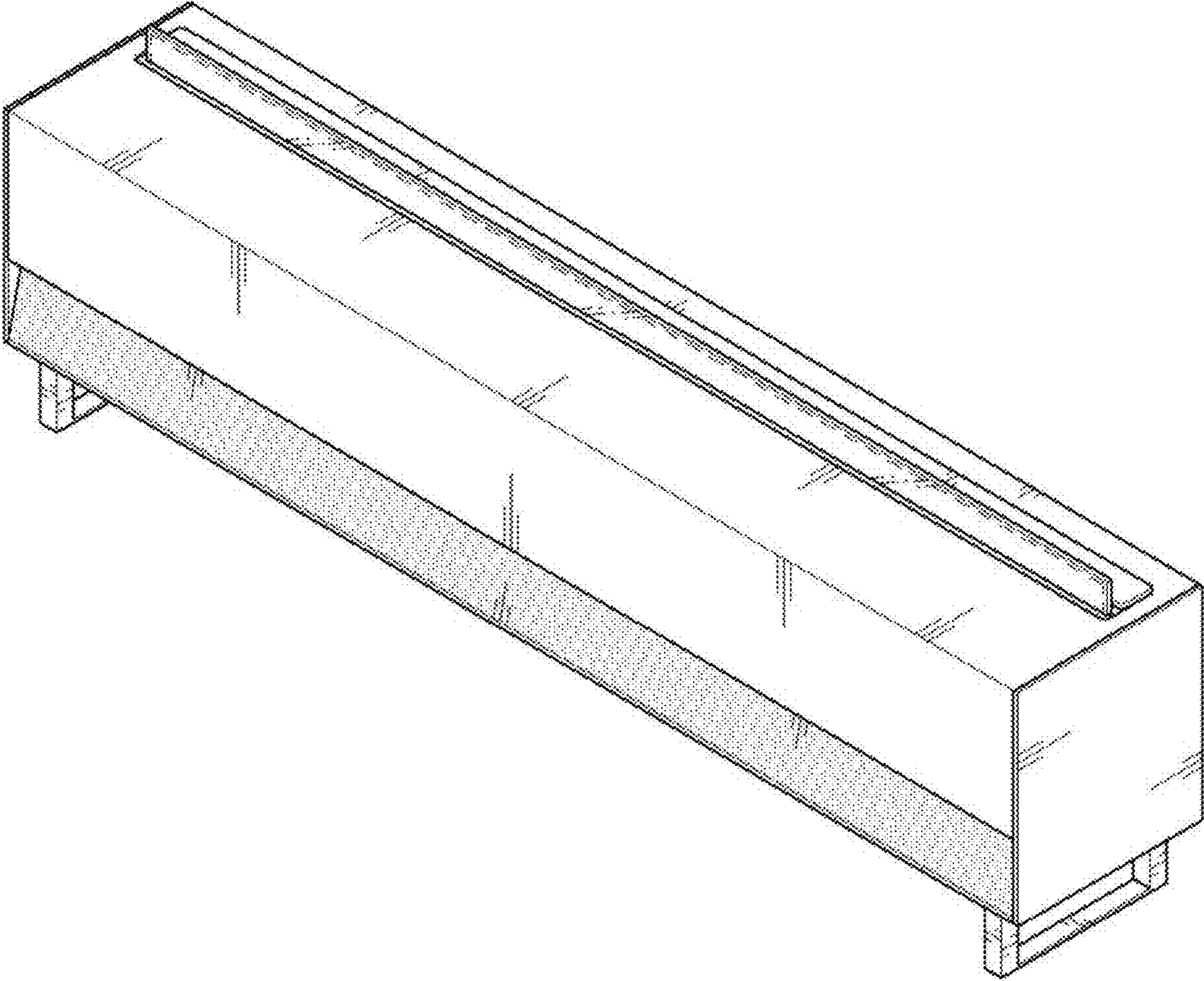
1.5



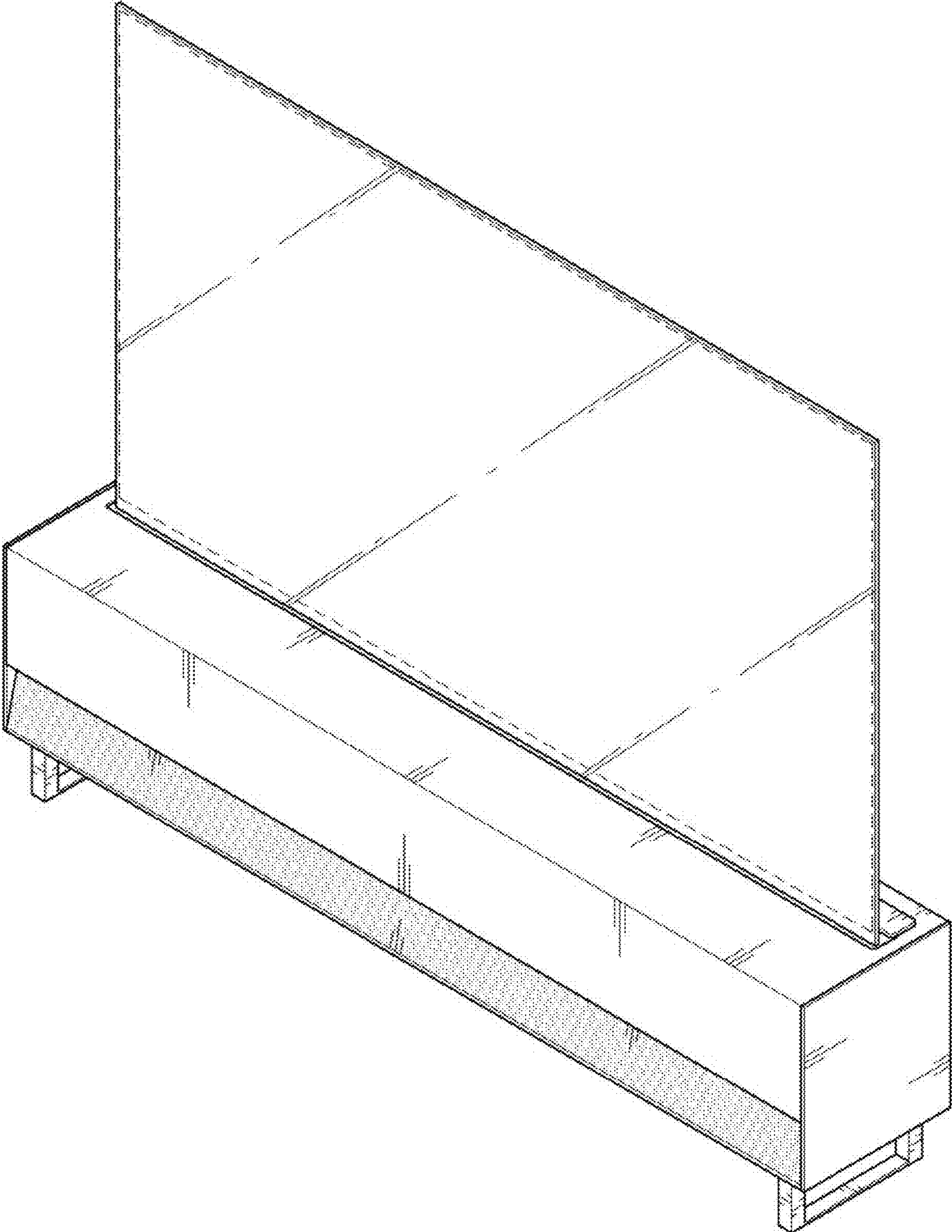
1.6



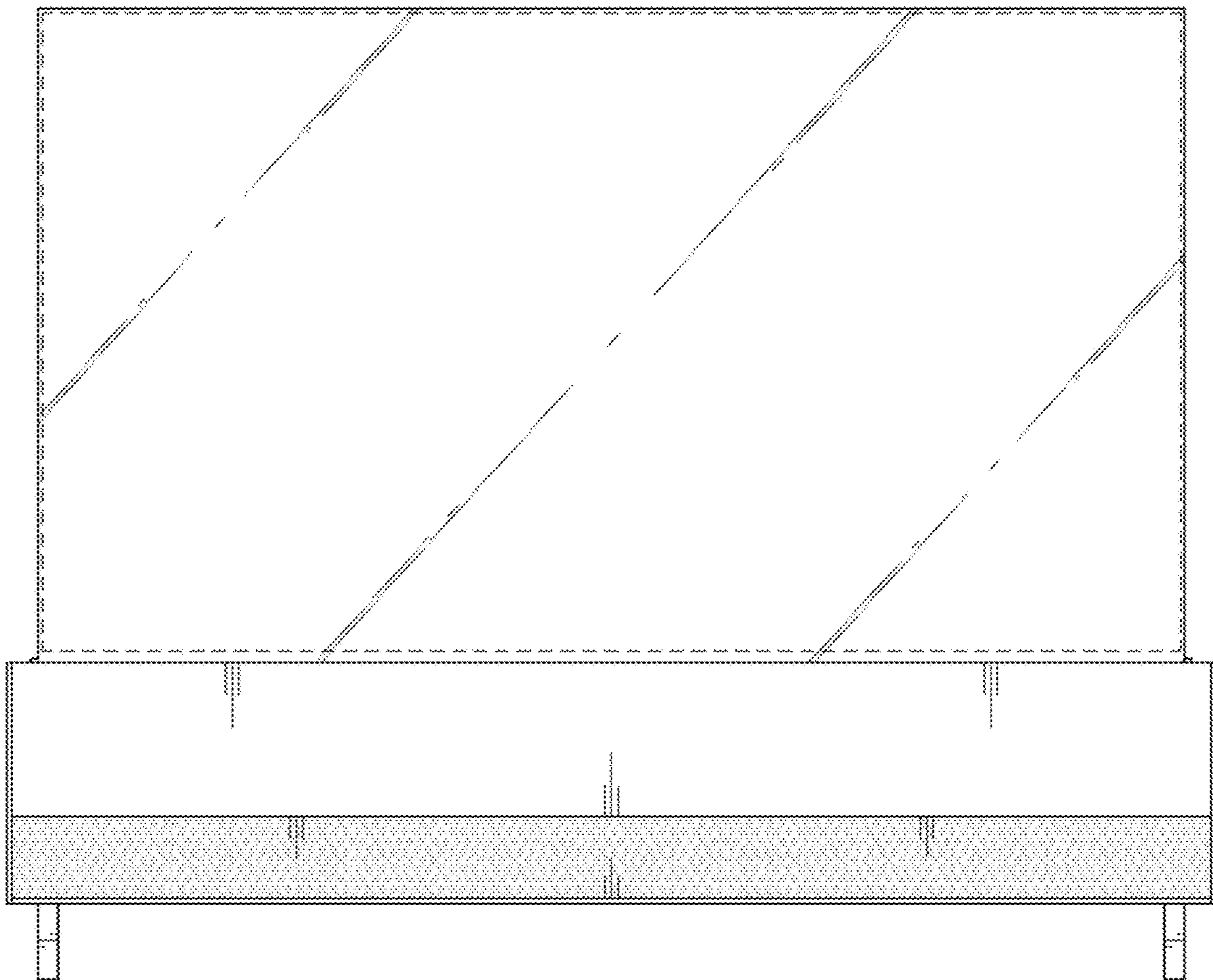
1.7



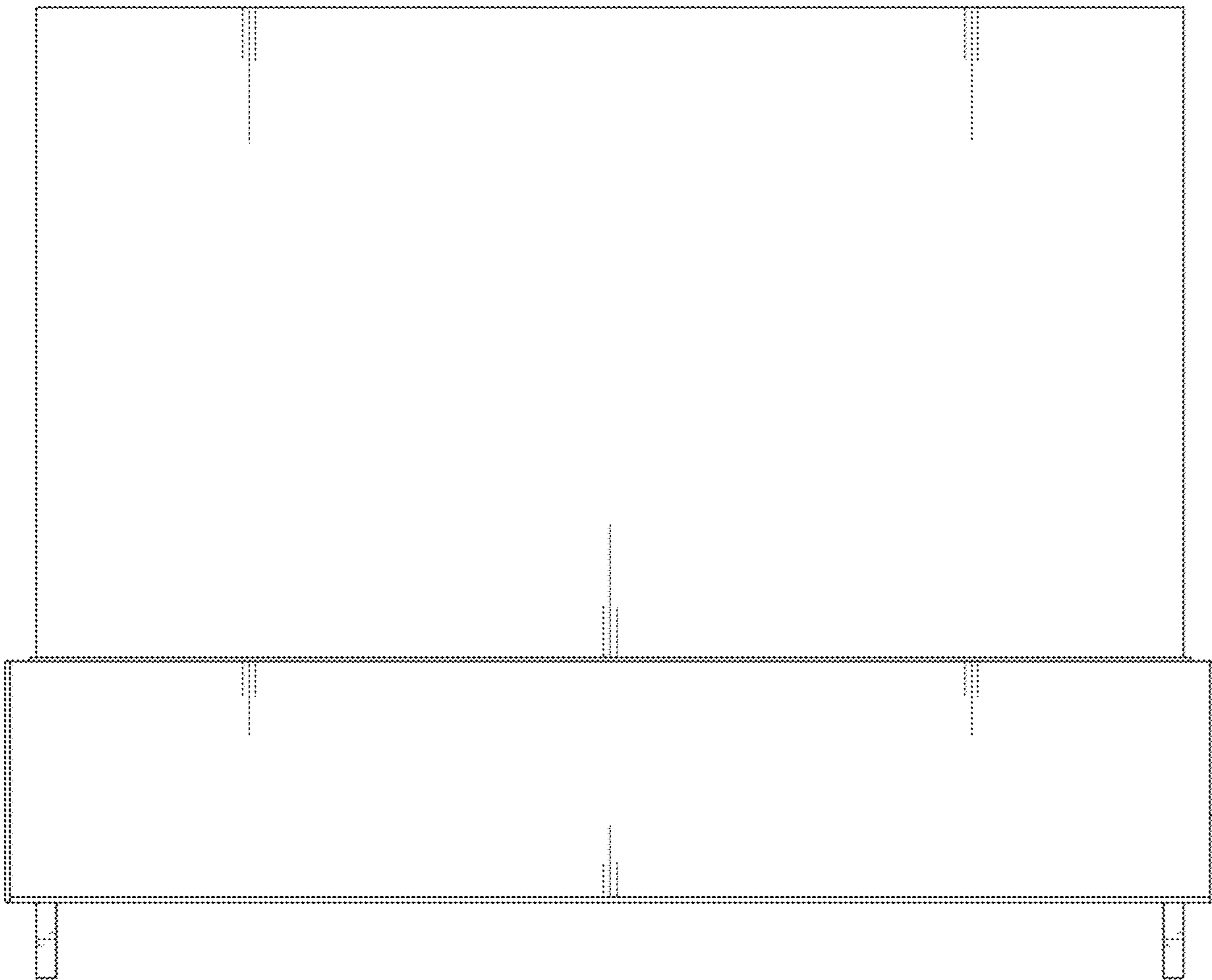
1.8



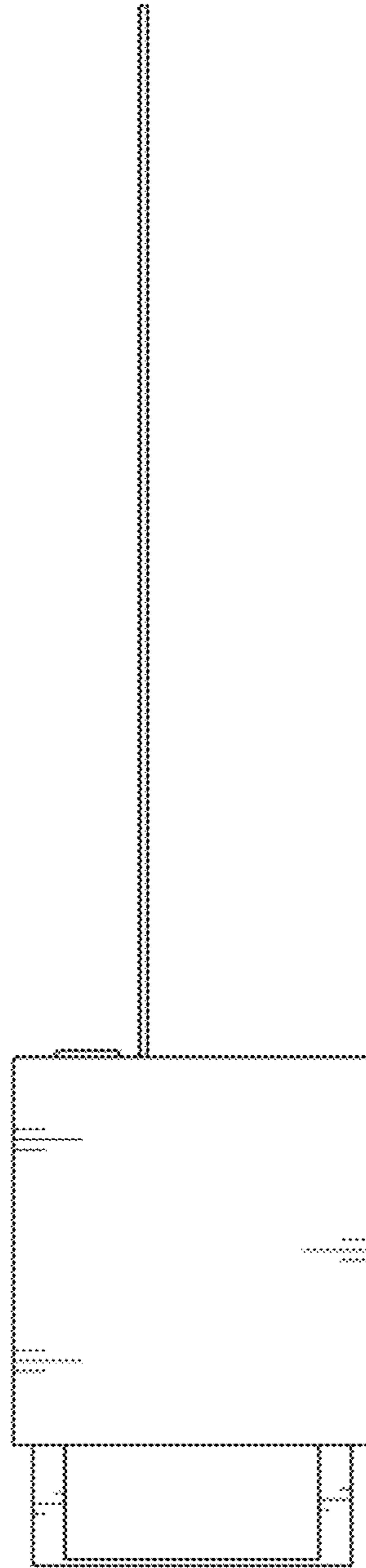
1.9



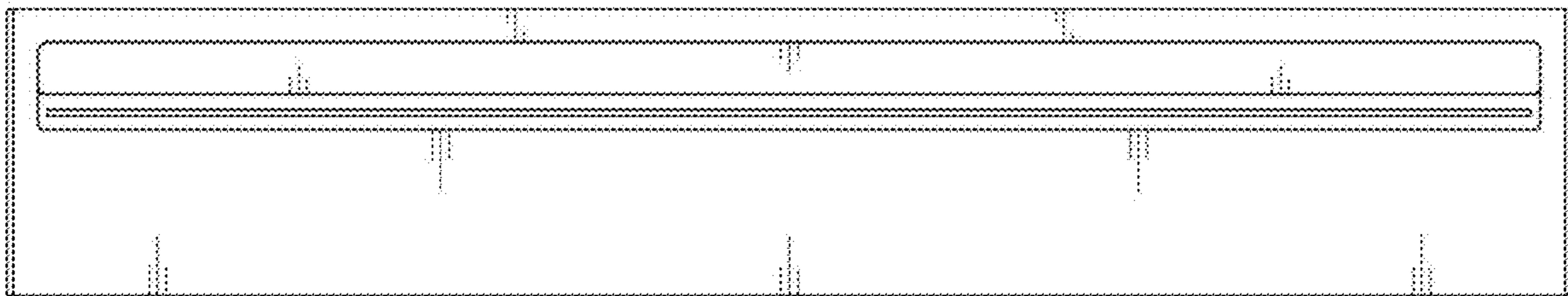
1.10



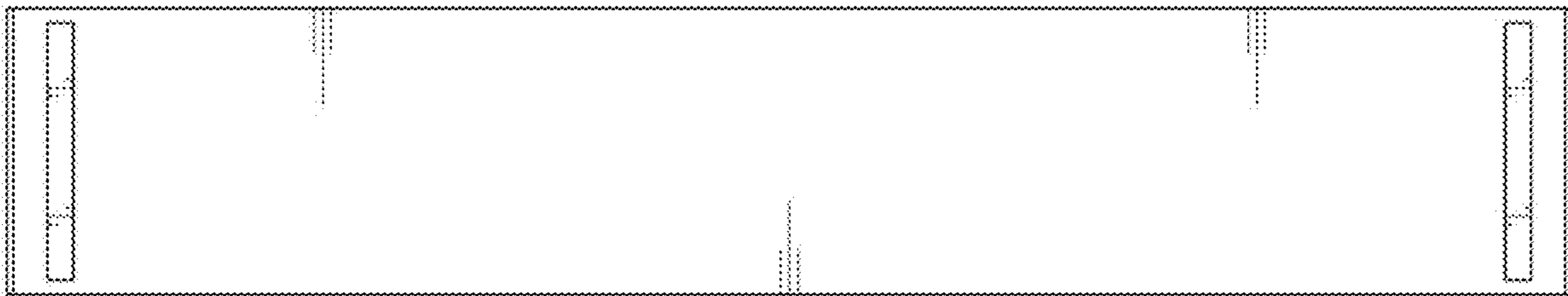
1.11



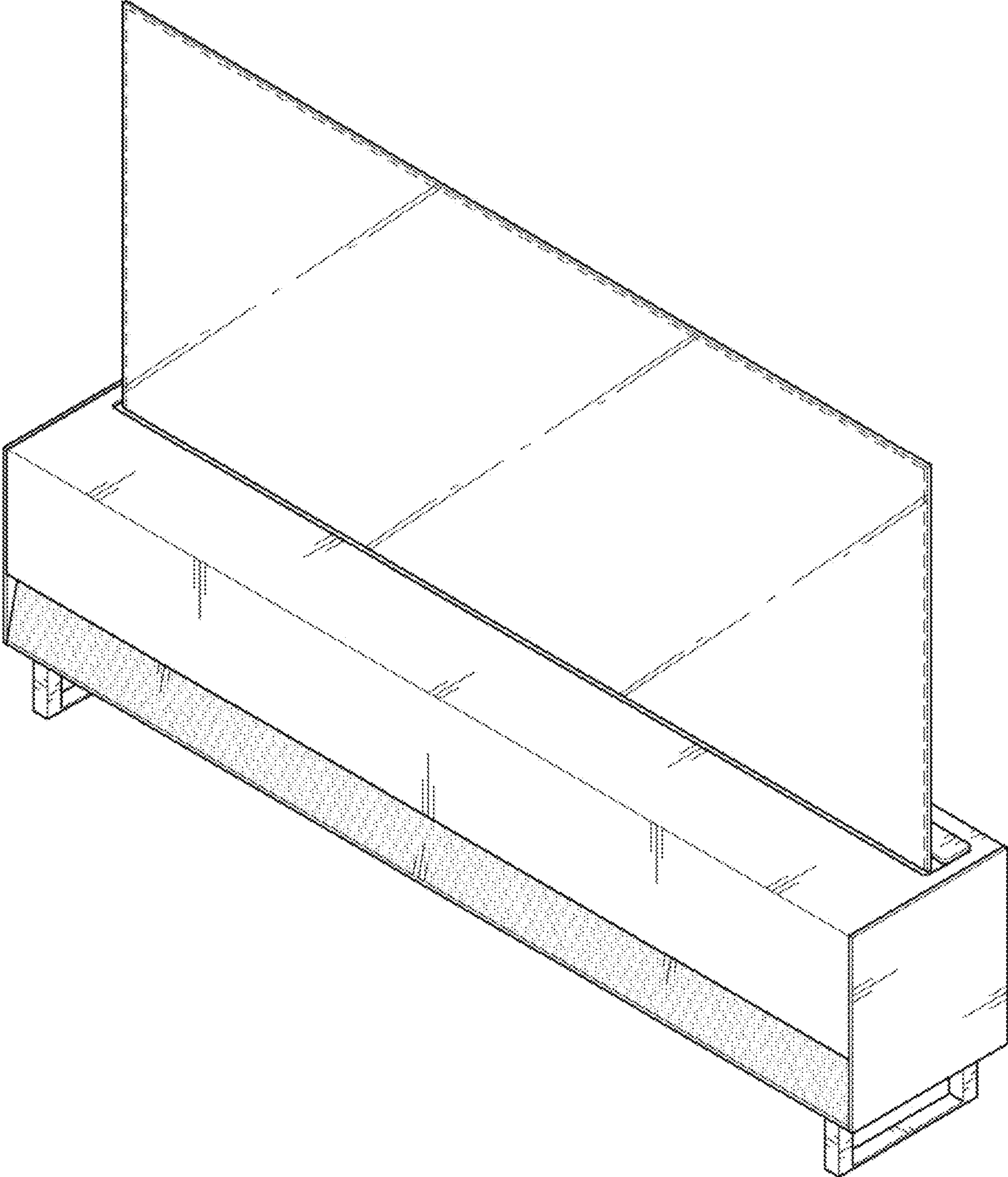
1.12



1.13



1.14



1.15

